

US00D714139S

(12) **United States Design Patent**
Genender

(10) **Patent No.:** **US D714,139 S**

(45) **Date of Patent:** **** Sep. 30, 2014**

(54) **PACKAGING BLANK**

(71) Applicant: **Medline Industries, Inc.**, Mundelein, IL (US)

(72) Inventor: **Alan Genender**, Northbrook, IL (US)

(73) Assignee: **Medline Industries, Inc.**, Mundelein, IL (US)

(**) Term: **14 Years**

(21) Appl. No.: **29/464,796**

(22) Filed: **Aug. 21, 2013**

(51) **LOC (10) Cl.** **09-03**

(52) **U.S. Cl.**

USPC **D9/433**

(58) **Field of Classification Search**

CPC . B65D 5/18-5/20; B65D 71/12; B65D 71/40;
B65D 71/46; B65D 25/00; B65D 85/00;
B65D 5/24; B65D 5/30; B65D 5/42; B65D
5/46; B65D 5/70; B65D 5/74

USPC D9/415-419, 420-425, 428, 429-435,
D9/708, 719, 734; D3/203.2, 272, 273,
D3/294, 302-304; D7/538-542, 601, 602,
D7/629; D19/9-11; D20/10, 22, 27-28,
D20/39-43

See application file for complete search history.

(56) **References Cited**

U.S. PATENT DOCUMENTS

284,179 A 9/1883 Buckingham
715,026 A 12/1902 Crawford

(Continued)

Primary Examiner — Susan Bennett Hattan

Assistant Examiner — Vy Koenig

(74) *Attorney, Agent, or Firm* — McAndrews Held & Malloy, Ltd.

(57) **CLAIM**

The ornamental design for a packaging blank, as shown and described.

DESCRIPTION

FIG. 1 is a front perspective view of an embodiment of a packaging blank showing my new design;

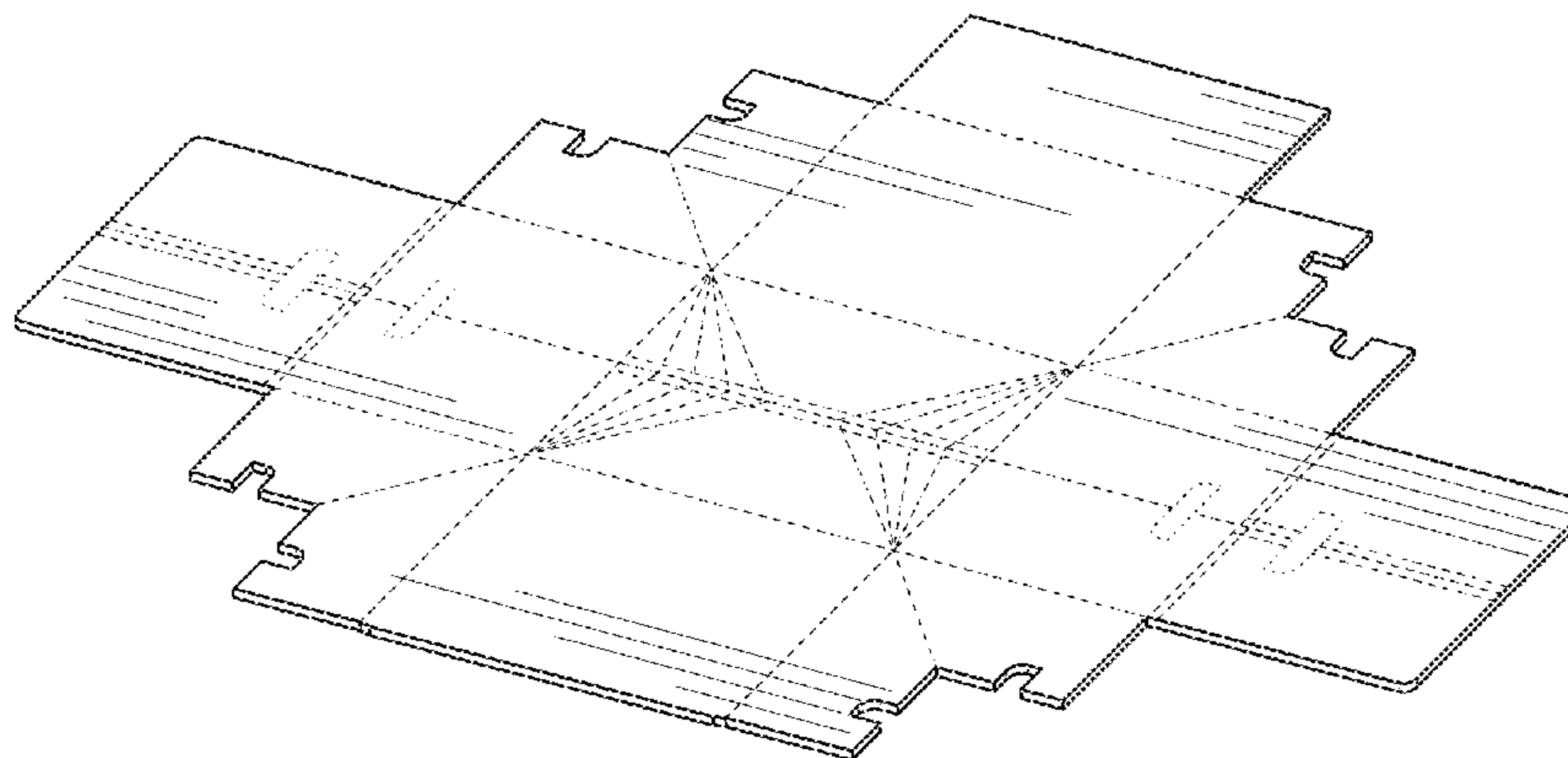
FIG. 2 is a front elevation view thereof;
FIG. 3 is a rear elevation view thereof;
FIG. 4 is a side elevation view thereof;
FIG. 5 is a top plan view thereof;
FIG. 6 is a front perspective view of another embodiment of a packaging blank showing my new design;
FIG. 7 is a front elevation view thereof;
FIG. 8 is a rear elevation view thereof;
FIG. 9 is a side elevation view thereof;
FIG. 10 is a top plan view thereof;
FIG. 11 is a front perspective view of another embodiment of a packaging blank showing my new design;
FIG. 12 is a front elevation view thereof;
FIG. 13 is a rear elevation view thereof;
FIG. 14 is a side elevation view thereof;
FIG. 15 is a top plan view thereof;
FIG. 16 is a front perspective view of another embodiment of a packaging blank showing my new design;
FIG. 17 is a front elevation view thereof;
FIG. 18 is a rear elevation view thereof;
FIG. 19 is a side elevation view thereof;
FIG. 20 is a top plan view thereof;
FIG. 21 is a front perspective view of another embodiment of a packaging blank showing my new design;
FIG. 22 is a front elevation view thereof;
FIG. 23 is a rear elevation view thereof;
FIG. 24 is a side elevation view thereof;
FIG. 25 is a top plan view thereof;
FIG. 26 is a front perspective view of another embodiment of a packaging blank showing my new design;
FIG. 27 is a front elevation view thereof;
FIG. 28 is a rear elevation view thereof;
FIG. 29 is a side elevation view thereof;
FIG. 30 is a top plan view thereof; and
FIG. 31 is a front perspective view of another embodiment of a packaging blank showing my new design;
FIG. 32 is a front elevation view thereof;
FIG. 33 is a rear elevation view thereof;
FIG. 34 is a side elevation view thereof; and,
FIG. 35 is a top plan view thereof.

The evenly spaced dashed lines represent fold lines and form part of the claimed design.

The dotted lines depict environmental subject matter only and form no part of the claimed design.

The light weight shade lines are used to show that the surface is substantially planar and not to be interpreted as surface ornamentation.

1 Claim, 21 Drawing Sheets



(56)

References Cited

U.S. PATENT DOCUMENTS

1,150,105	A	8/1915	Emmons				
2,151,472	A	3/1939	Hubbard				
2,189,602	A *	2/1940	Denny	229/173			
2,386,905	A	10/1945	Meitzen				
4,119,265	A	10/1978	Dlugopolski				
4,465,227	A	8/1984	Hood et al.				
5,018,663	A *	5/1991	Corso	229/117.13			
5,062,527	A	11/1991	Westerman				
D434,653	S *	12/2000	Maguire	D9/430			
6,253,993	B1 *	7/2001	Lloyd et al.	229/117.3			
6,736,309	B1 *	5/2004	Westerman et al.	229/117.05			
6,837,420	B2 *	1/2005	Westerman et al.	229/117.15			
7,225,970	B2 *	6/2007	Philips	229/171			
D596,026	S *	7/2009	Mordechai	D9/432			
7,721,941	B2	5/2010	Kleiner				
7,841,512	B2	11/2010	Westerman et al.				
D643,714	S *	8/2011	Daley et al.	D9/433			
D650,665	S *	12/2011	Kaltman et al.	D9/433			
D655,601	S *	3/2012	Daley et al.	D9/433			
8,348,821	B2 *	1/2013	Costanzo et al.	493/128			
8,562,499	B2 *	10/2013	Costanzo et al.	493/128			
8,567,662	B2 *	10/2013	Costanzo, Jr.	229/144			
2013/0026059	A1	1/2013	Jenkins				

* cited by examiner

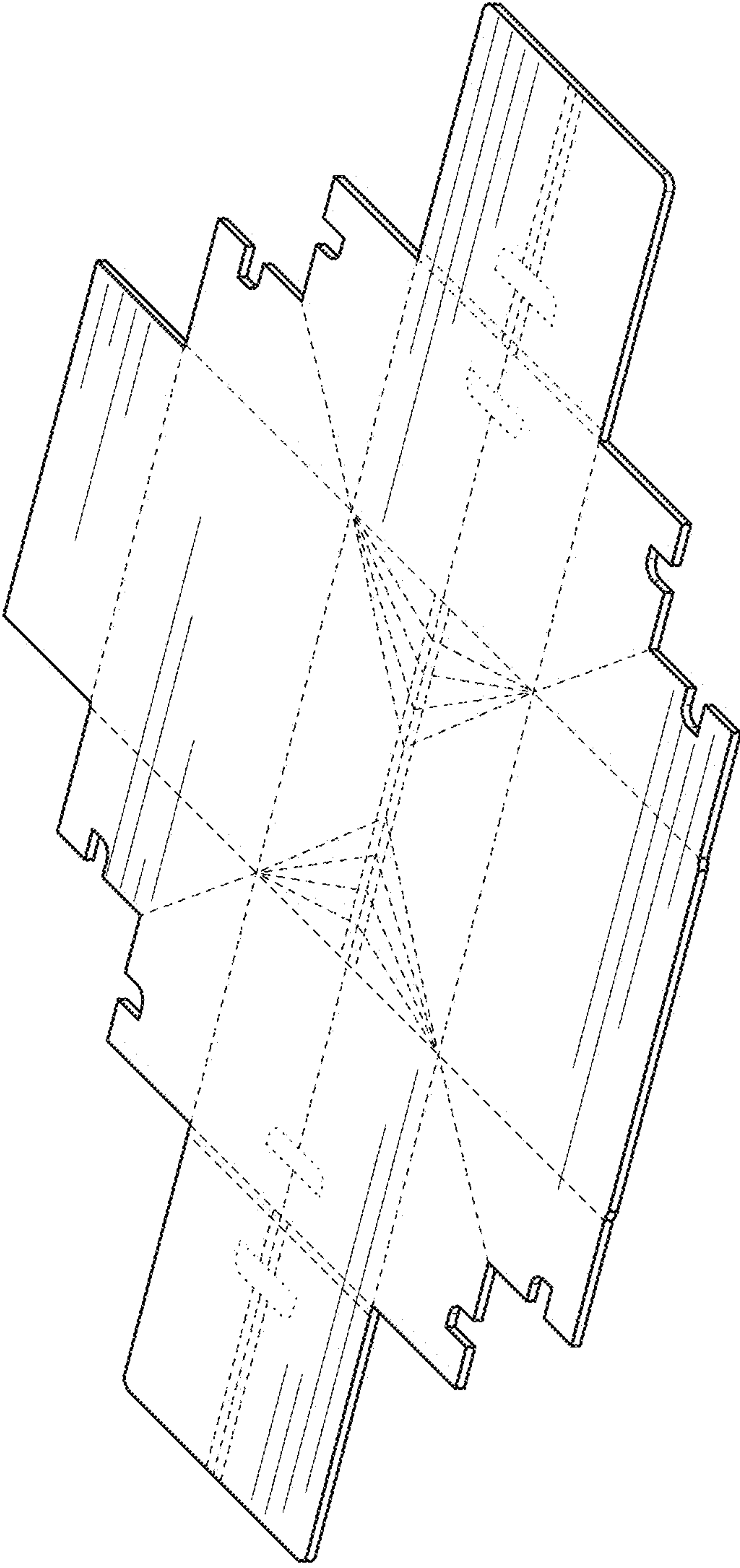


FIG. 1



FIG. 2



FIG. 3



FIG. 4

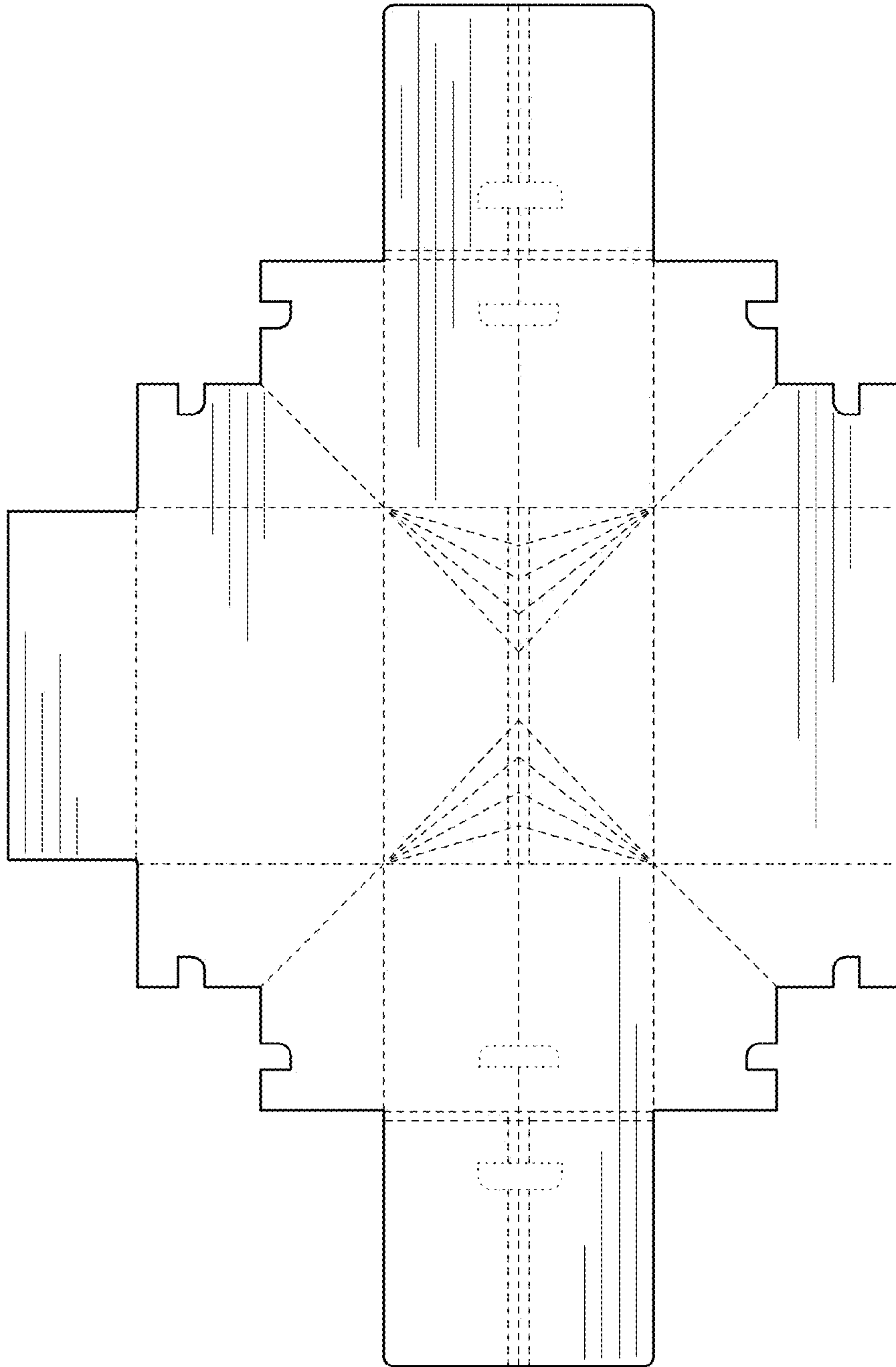


FIG. 5

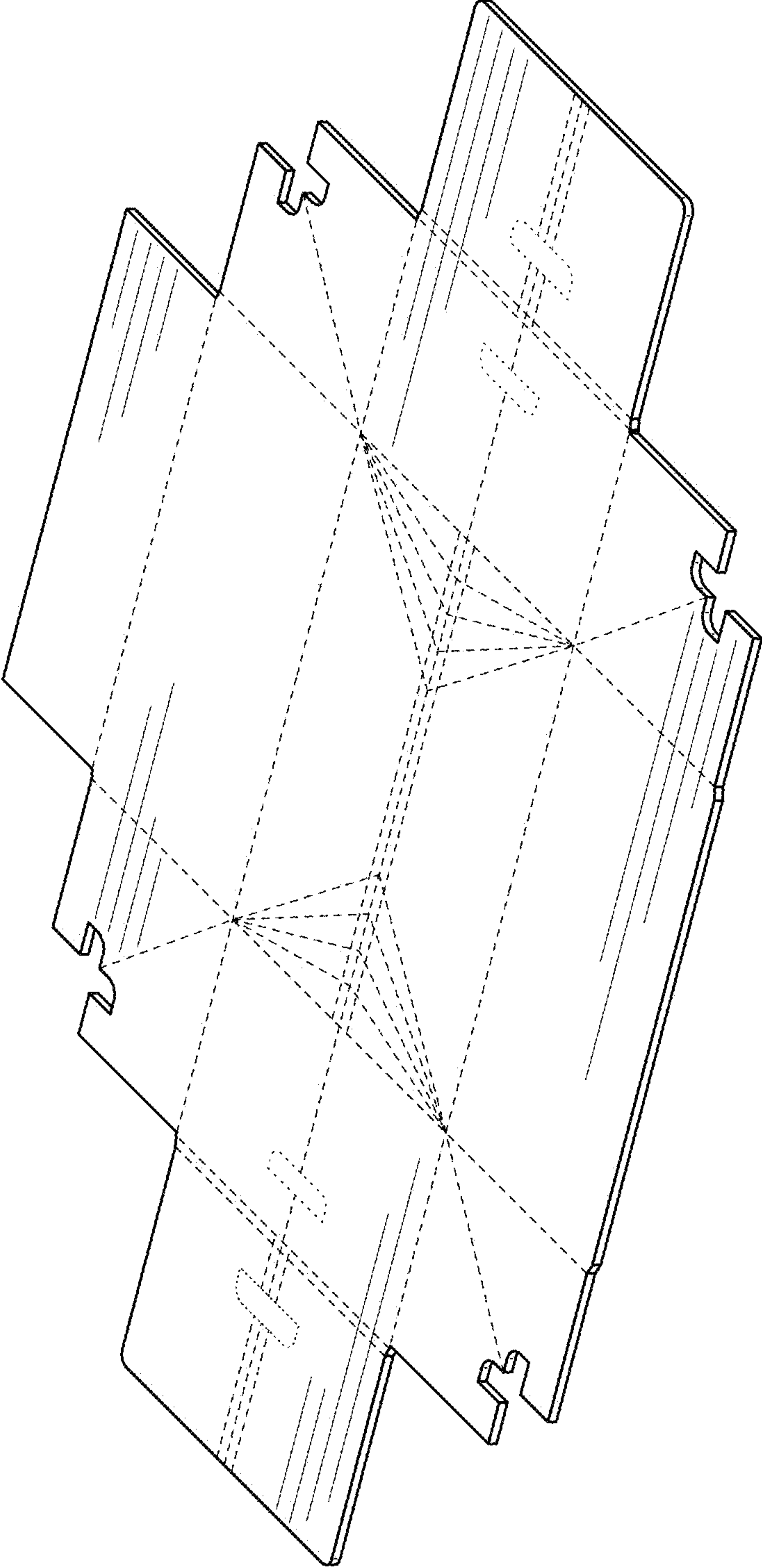


FIG. 6

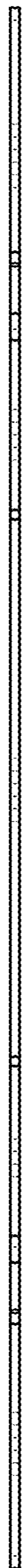


FIG. 7



FIG. 8



FIG. 9

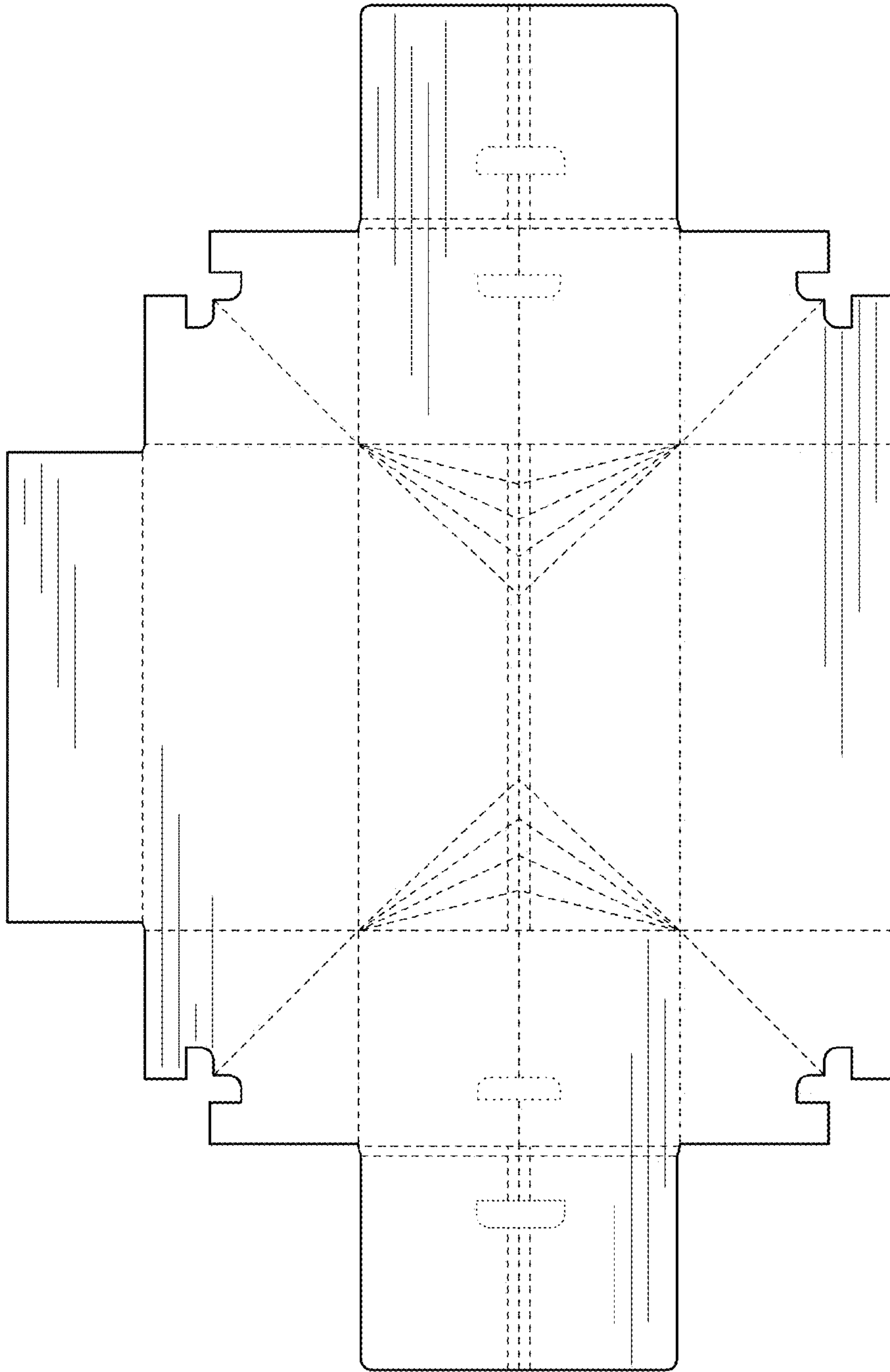


FIG. 10

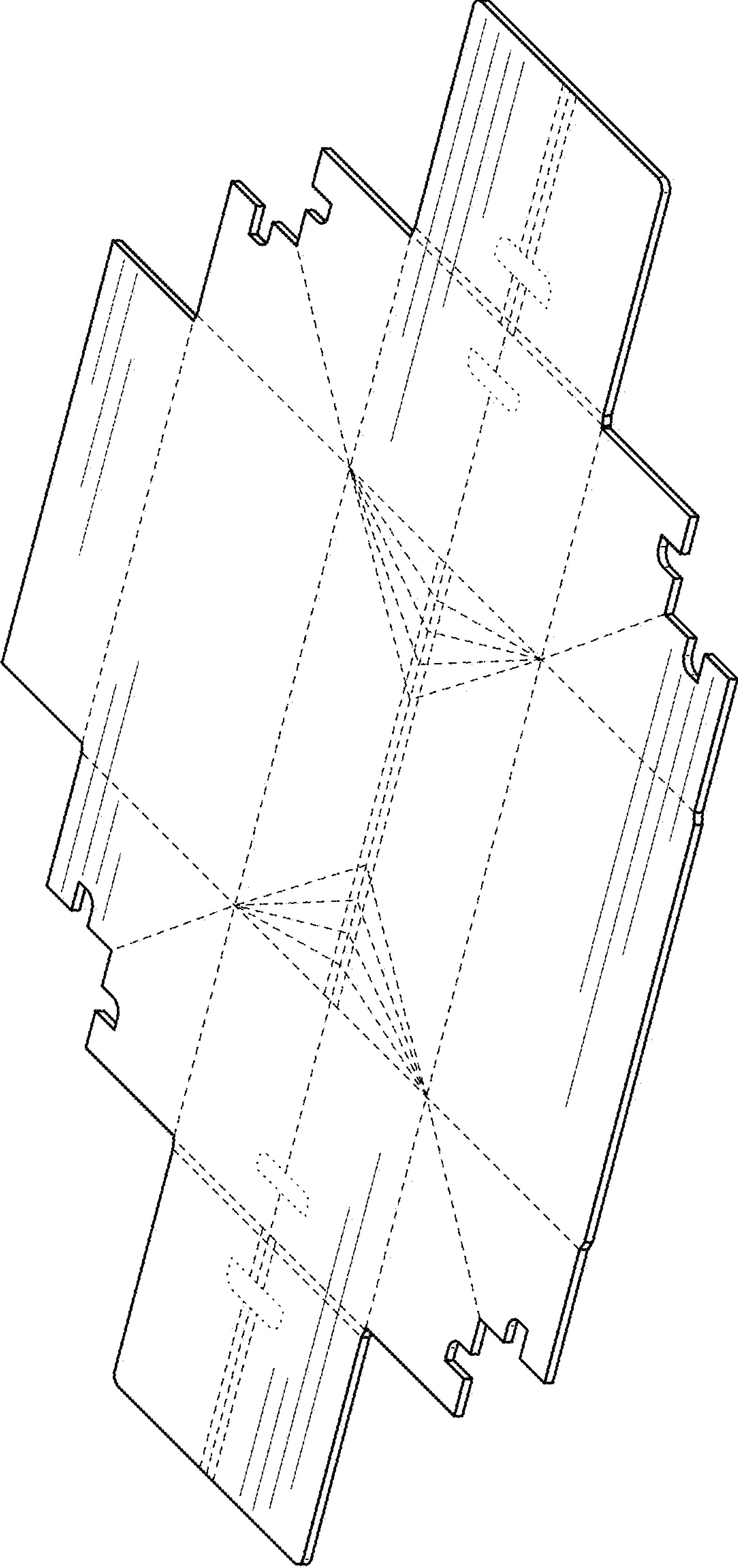


FIG. 11



FIG. 12



FIG. 13



FIG. 14

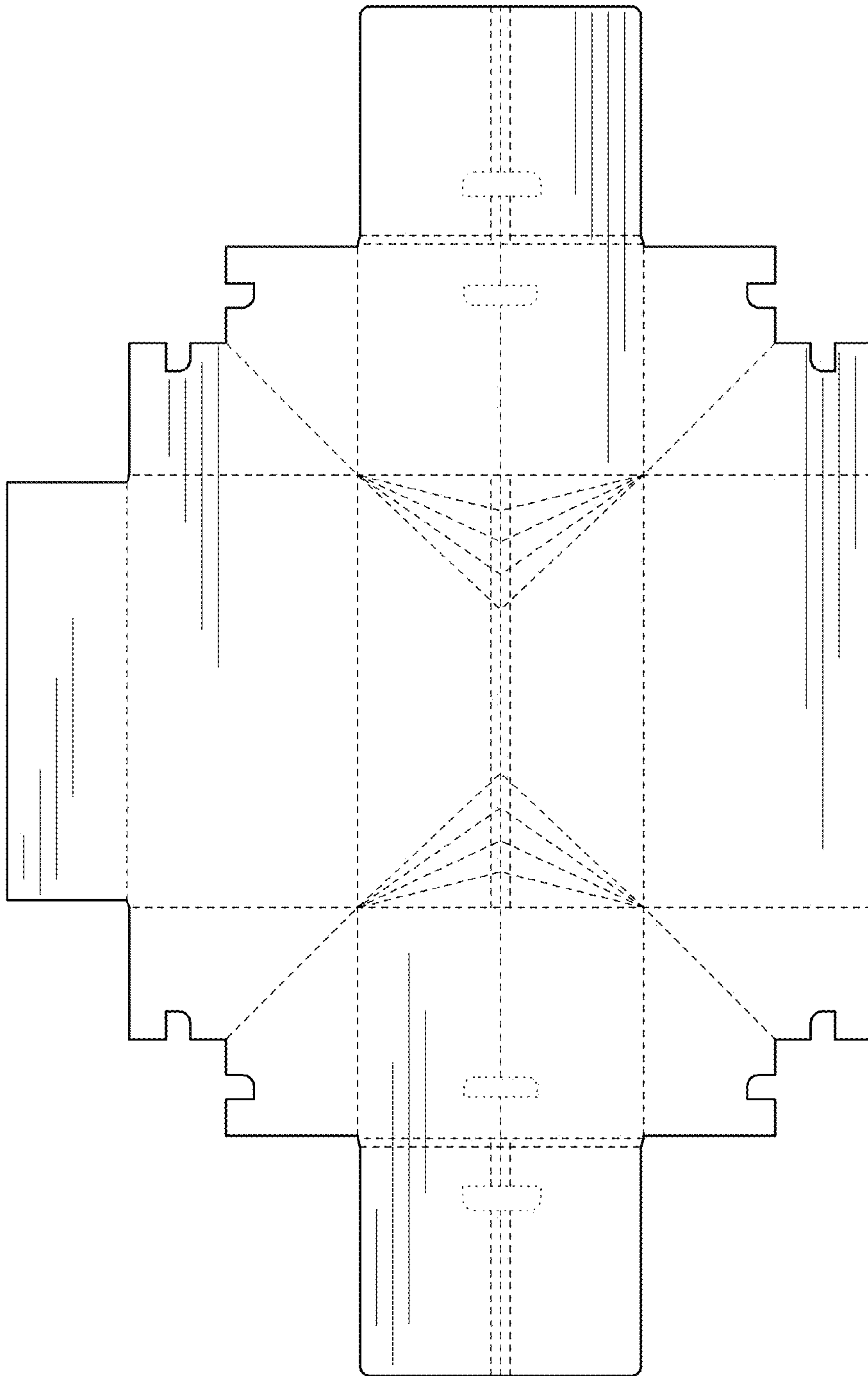


FIG. 15

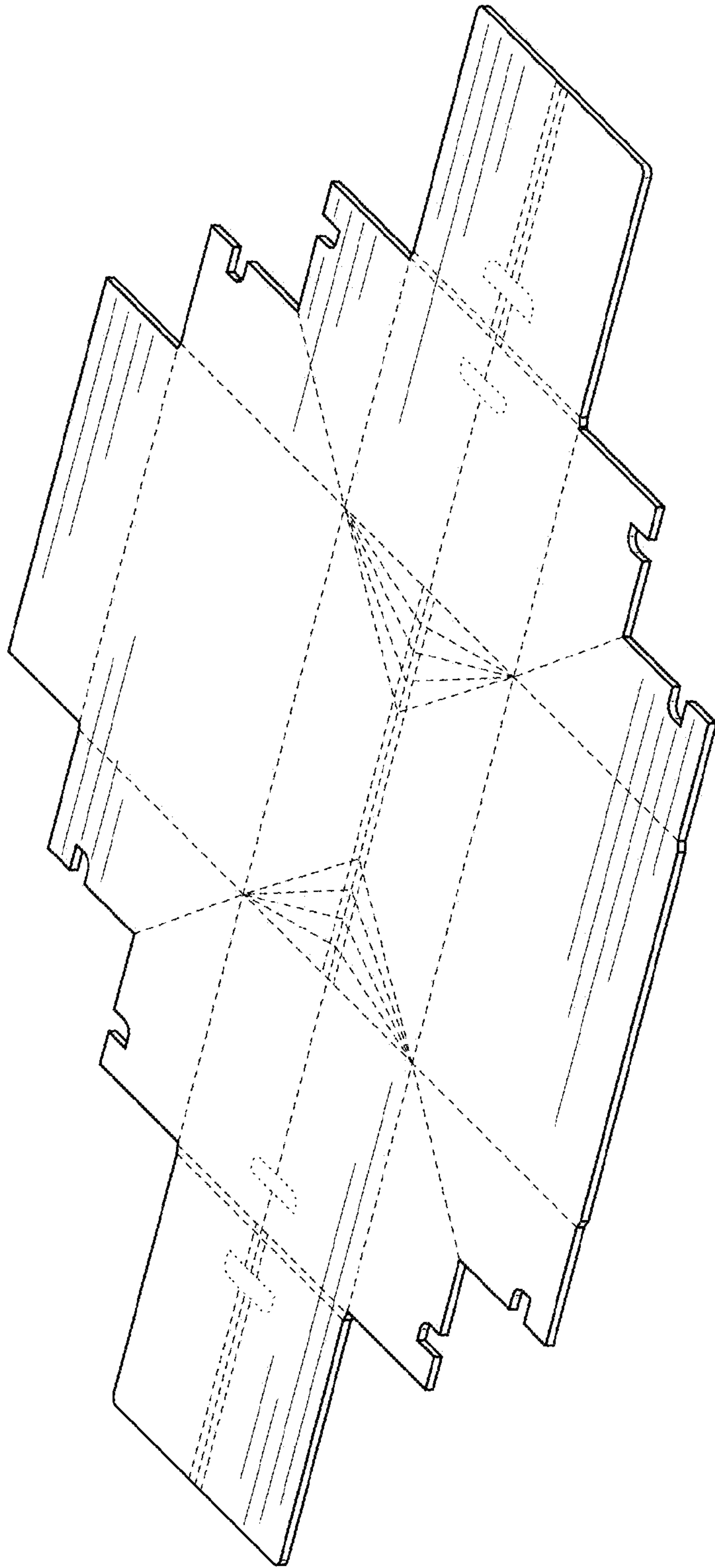


FIG. 16



FIG. 17



FIG. 18



FIG. 19

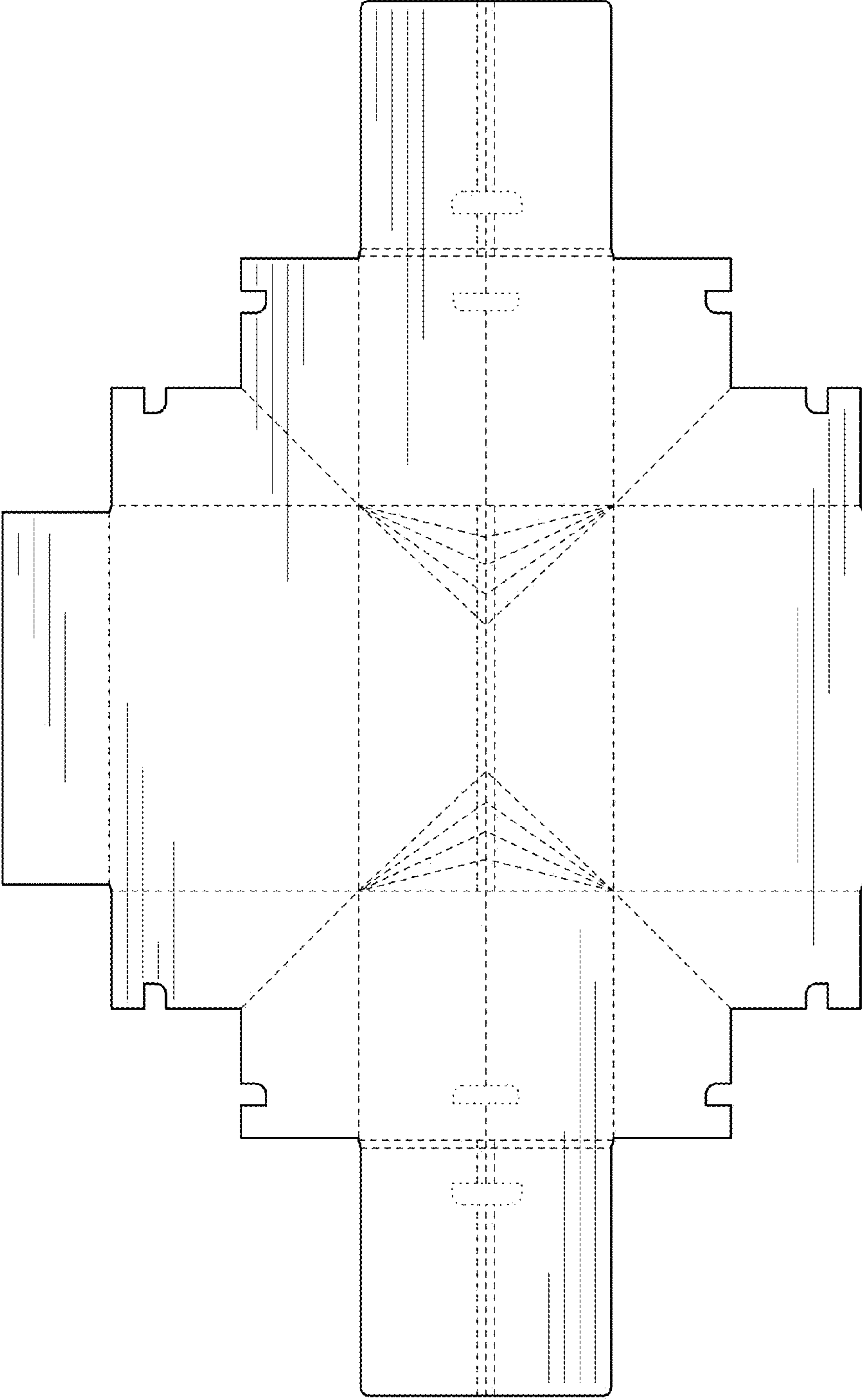


FIG. 20

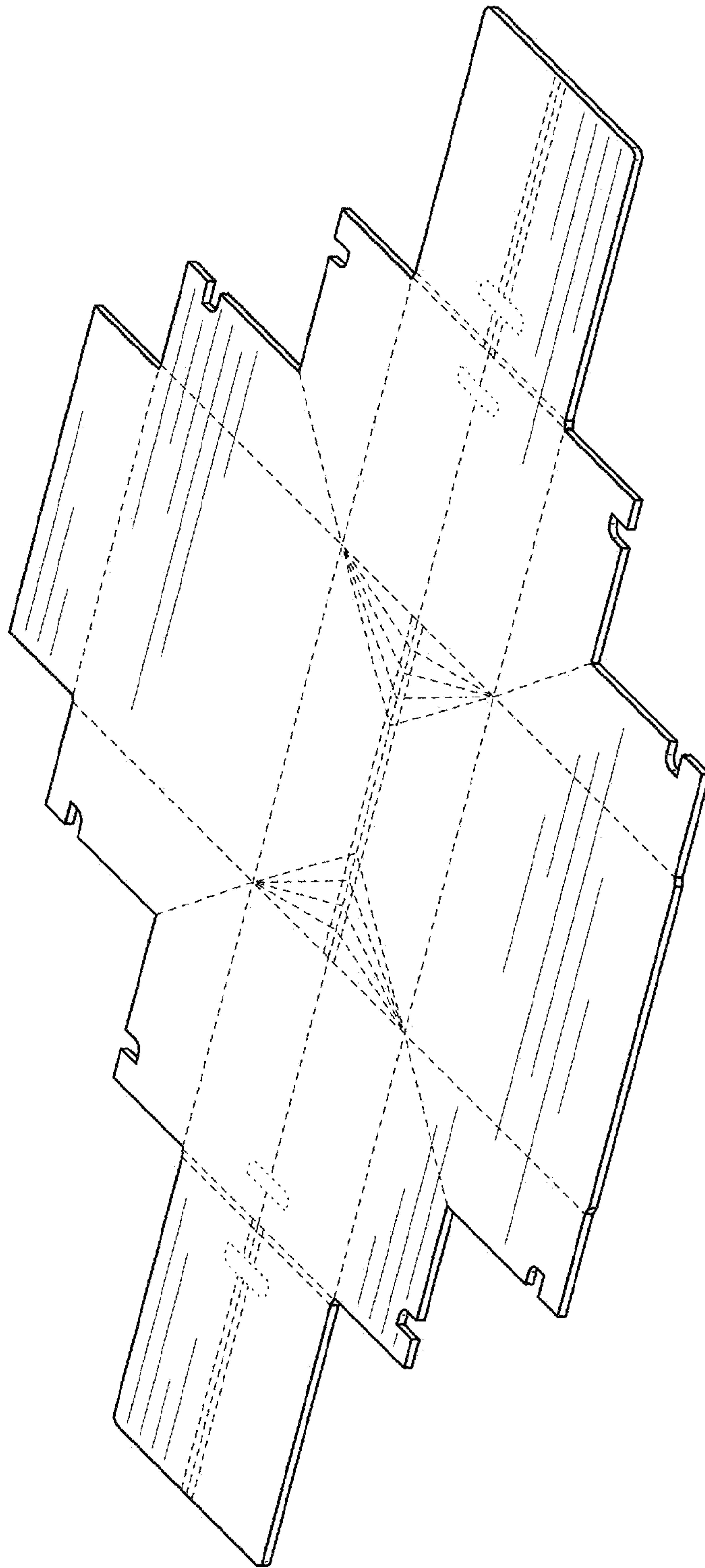


FIG. 21

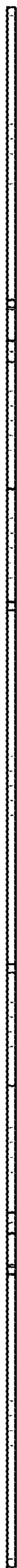


FIG. 22



FIG. 23



FIG. 24

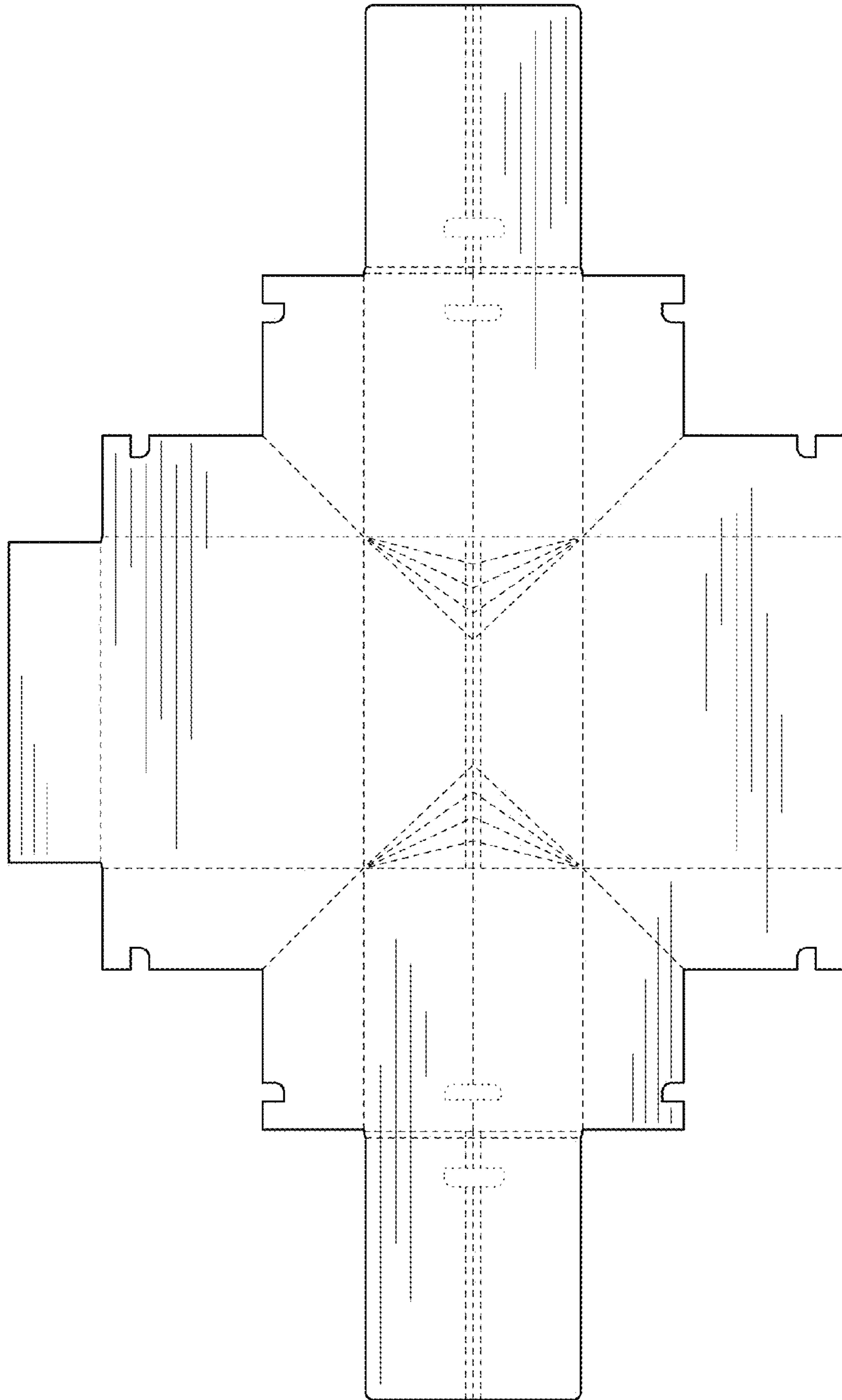


FIG. 25

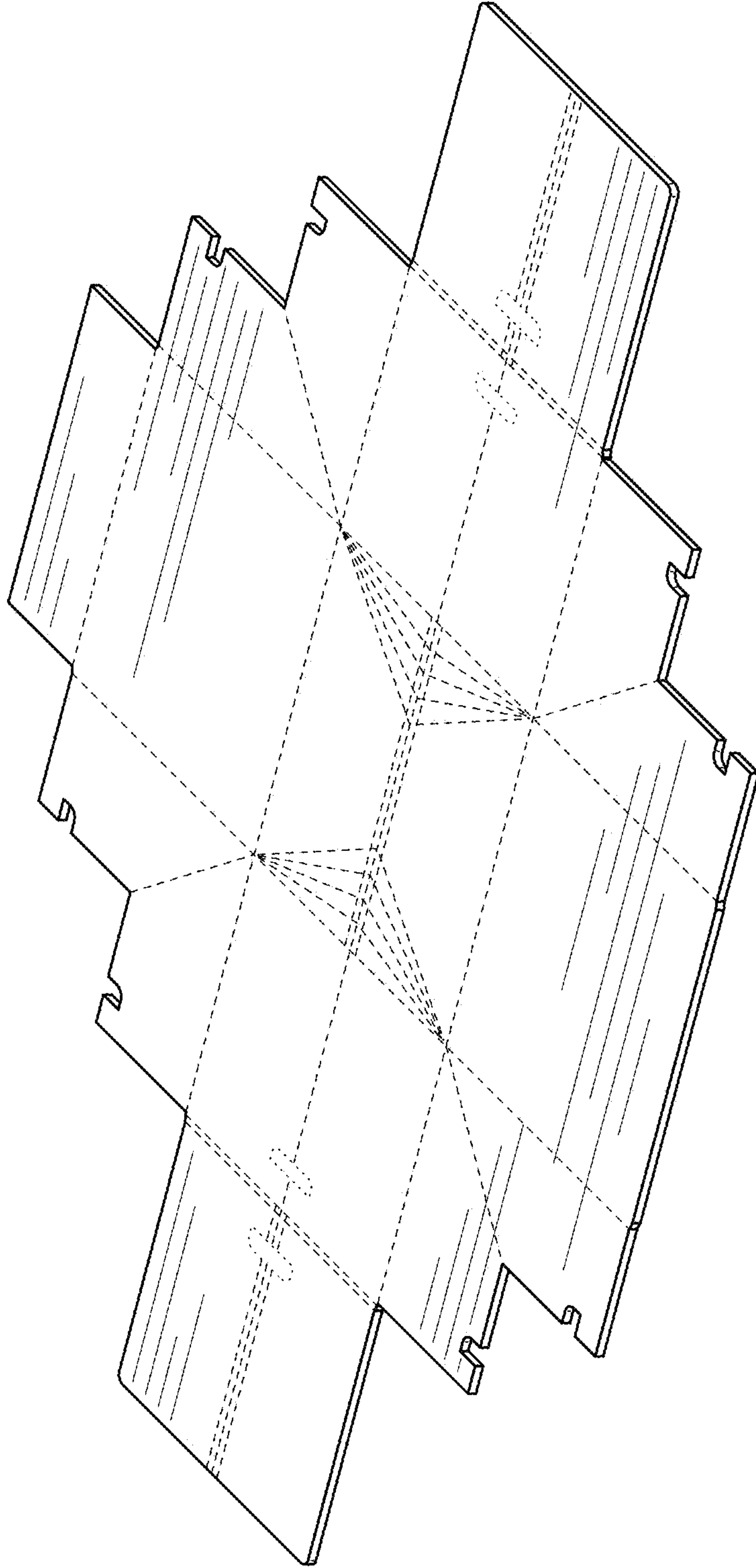


FIG. 26



FIG. 27



FIG. 28



FIG. 29

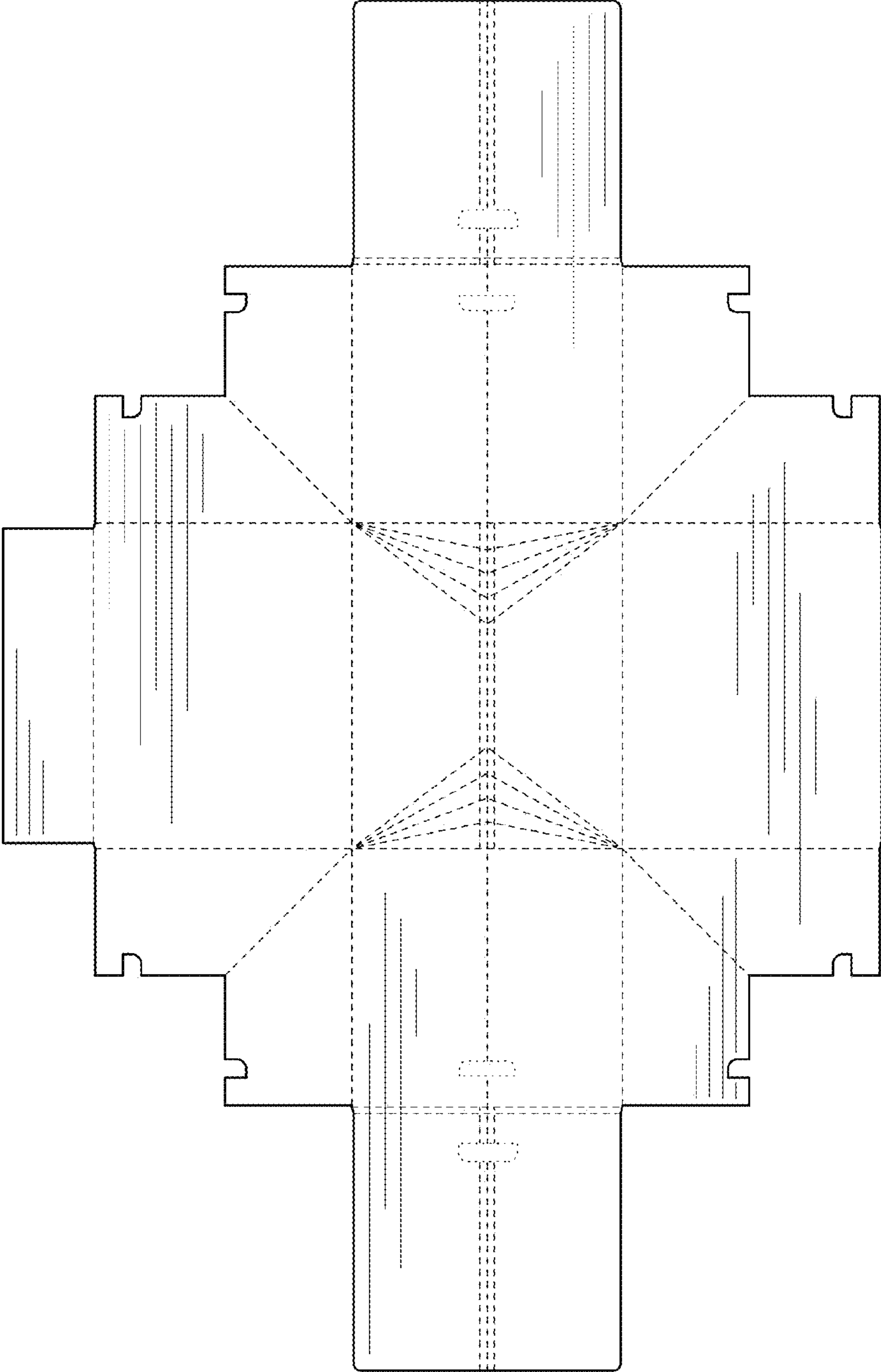


FIG. 30

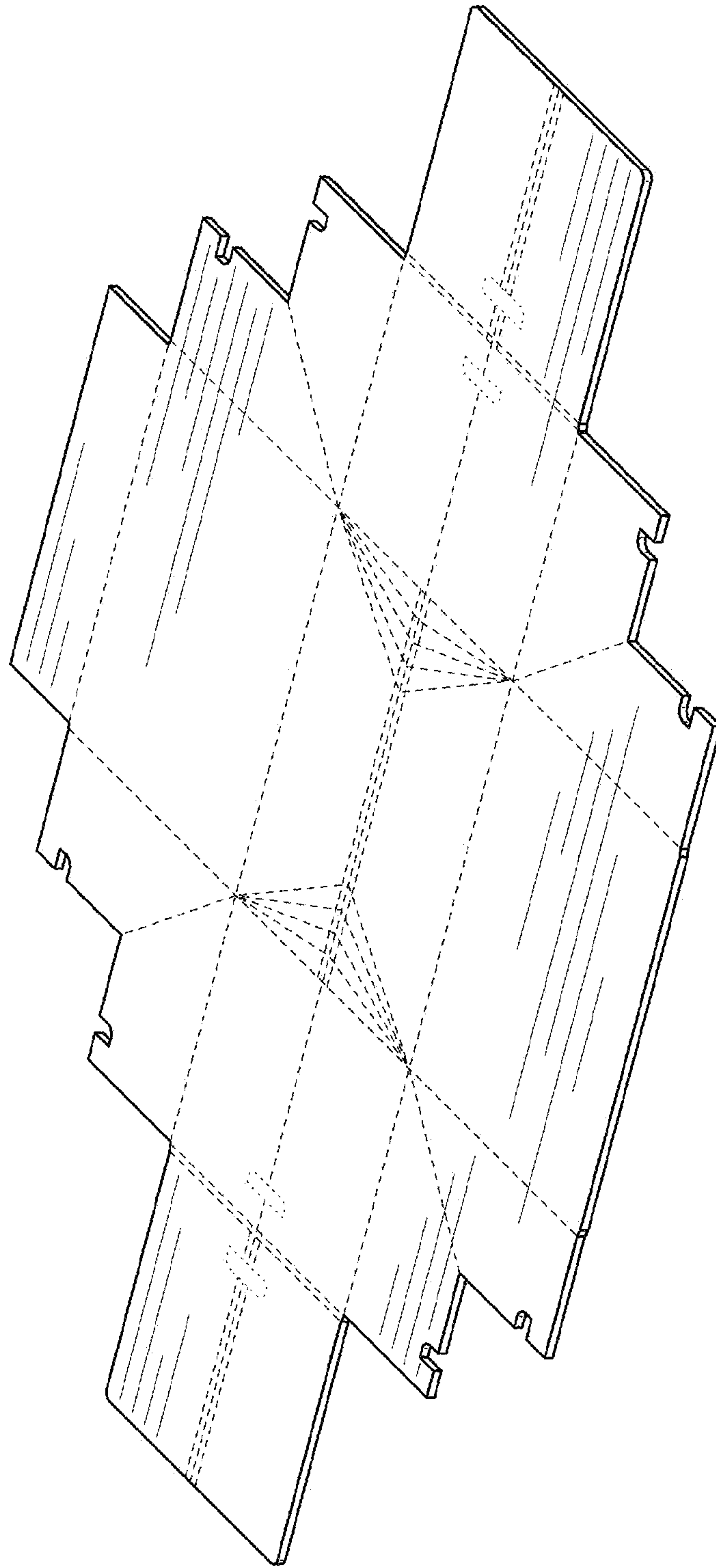


FIG. 31



FIG. 32



FIG. 33

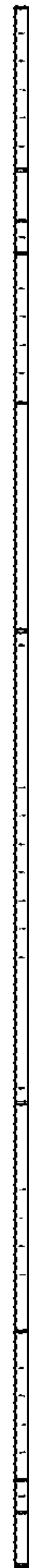


FIG. 34

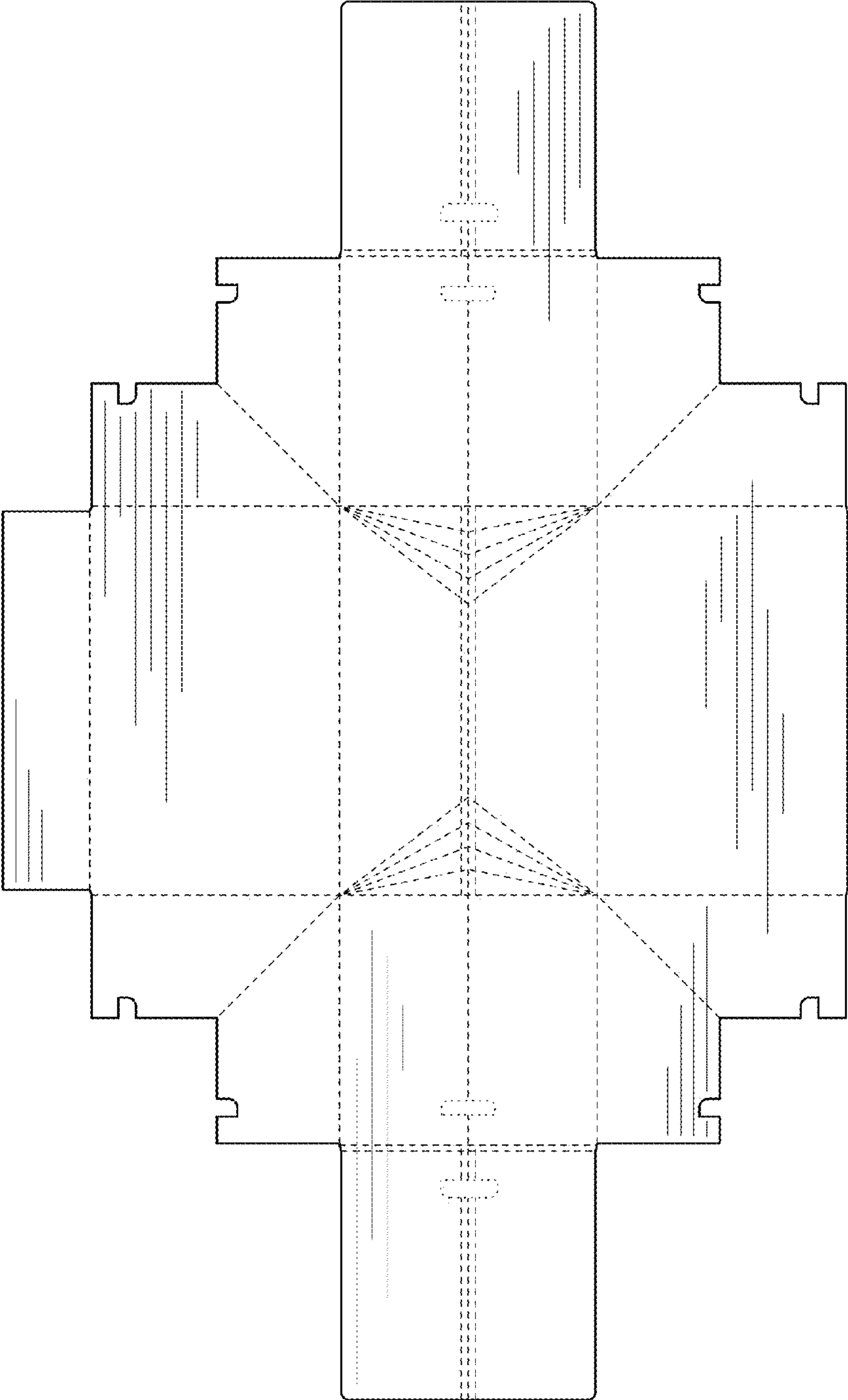


FIG. 35