



US00D714138S

(12) **United States Design Patent**
Genender

(10) **Patent No.:** **US D714,138 S**

(45) **Date of Patent:** **** Sep. 30, 2014**

(54) **PACKAGING BLANK**

(71) Applicant: **Medline Industries, Inc.**, Mundelein, IL (US)

(72) Inventor: **Alan Genender**, Northbrook, IL (US)

(73) Assignee: **Medline Industries, Inc.**, Mundelein, IL (US)

(**) Term: **14 Years**

(21) Appl. No.: **29/464,792**

(22) Filed: **Aug. 21, 2013**

(51) **LOC (10) Cl.** **09-03**

(52) **U.S. Cl.**
USPC **D9/433**

(58) **Field of Classification Search**

CPC B65D 5/18-5/20; B65D 5/24; B65D 5/30;
B65D 5/42; B65D 5/46; B65D 5/70; B65D
5/74; B65D 71/12; B65D 71/40; B65D 71/46;
B65D 25/00; B65D 85/00

USPC D9/415-419, 428, 429-435, 708, 719,
D9/734, 420-425; D3/203.2, 272, 273,
D3/294, 302-304; D7/538-542, 601, 602,
D7/629; D19/9-11; D20/10, 22, 27-28,
D20/39-43

See application file for complete search history.

(56) **References Cited**

U.S. PATENT DOCUMENTS

284,179	A	9/1883	Buckingham	
715,026	A	12/1902	Crawford	
1,129,778	A *	2/1915	Bladwin	229/402
1,150,105	A	8/1915	Emmons	
2,151,472	A	3/1939	Hubbard	
2,386,905	A	10/1945	Meitzen	
D236,695	S *	9/1975	Elford	D9/433

(Continued)

Primary Examiner — Susan Bennett Hattan

Assistant Examiner — Vy Koenig

(74) *Attorney, Agent, or Firm* — McAndrews Held & Malloy, Ltd.

(57) **CLAIM**

The ornamental design for a packaging blank, as shown and described.

DESCRIPTION

FIG. 1 is a front perspective view of an embodiment of a packaging blank showing my new design; FIG. 2 is a front elevation view thereof; FIG. 3 is a rear elevation view thereof; FIG. 4 is a side elevation view thereof; FIG. 5 is a top plan view thereof;

FIG. 6 is a front perspective view of another embodiment of a packaging blank showing my new design; FIG. 7 is a front elevation view thereof; FIG. 8 is a rear elevation view thereof; FIG. 9 is a side elevation view thereof; FIG. 10 is a top plan view thereof;

FIG. 11 is a front perspective view of another embodiment of a packaging blank showing my new design; FIG. 12 is a front elevation view thereof; FIG. 13 is a rear elevation view thereof; FIG. 14 is a side elevation view thereof; FIG. 15 is a top plan view thereof;

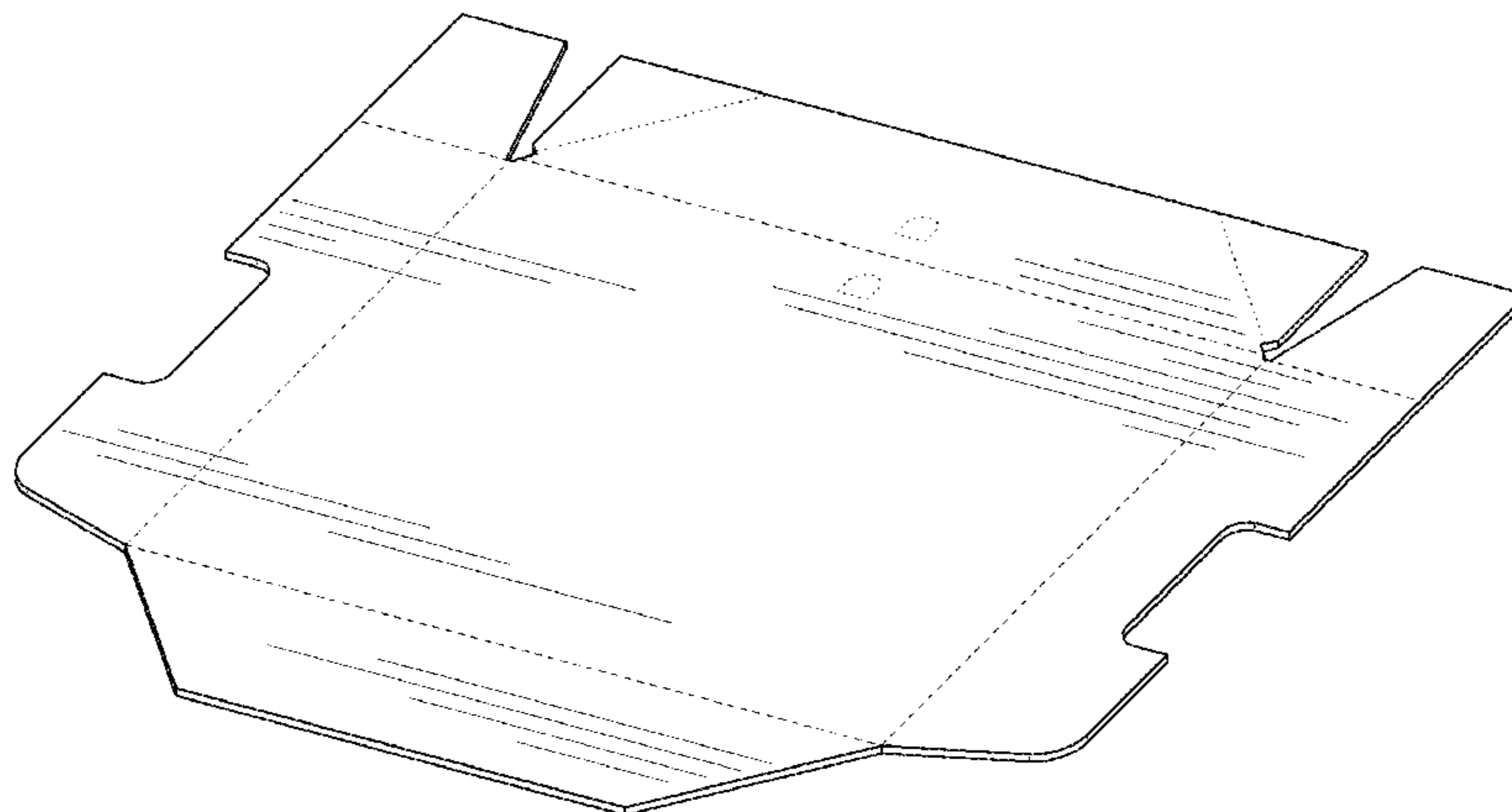
FIG. 16 is a front perspective view of another embodiment of a packaging blank showing my new design; FIG. 17 is a front elevation view thereof; FIG. 18 is a rear elevation view thereof; FIG. 19 is a side elevation view thereof; and, FIG. 20 is a top plan view thereof.

The evenly spaced dashed lines represent fold lines and form part of the claimed design.

The dotted lines depict environmental subject matter and form no part of the claimed design.

The light weight shade lines are used to show that the surface is substantially planar and not to be interpreted as surface ornamentation.

1 Claim, 12 Drawing Sheets



(56)

References Cited

U.S. PATENT DOCUMENTS

D247,952 S * 5/1978 Donaldson D9/432
4,119,265 A 10/1978 Dlugopolski
D256,437 S * 8/1980 Faller et al. D9/433
4,465,227 A 8/1984 Hood et al.
5,062,527 A 11/1991 Westerman

D371,296 S * 7/1996 Correll D9/456
D400,438 S * 11/1998 Correll D9/433
D421,218 S * 2/2000 Roemer et al. D9/433
D525,867 S * 8/2006 Correll D9/433
7,721,941 B2 5/2010 Kleiner
7,841,512 B2 11/2010 Westerman et al.
2013/0026059 A1 1/2013 Jenkins

* cited by examiner

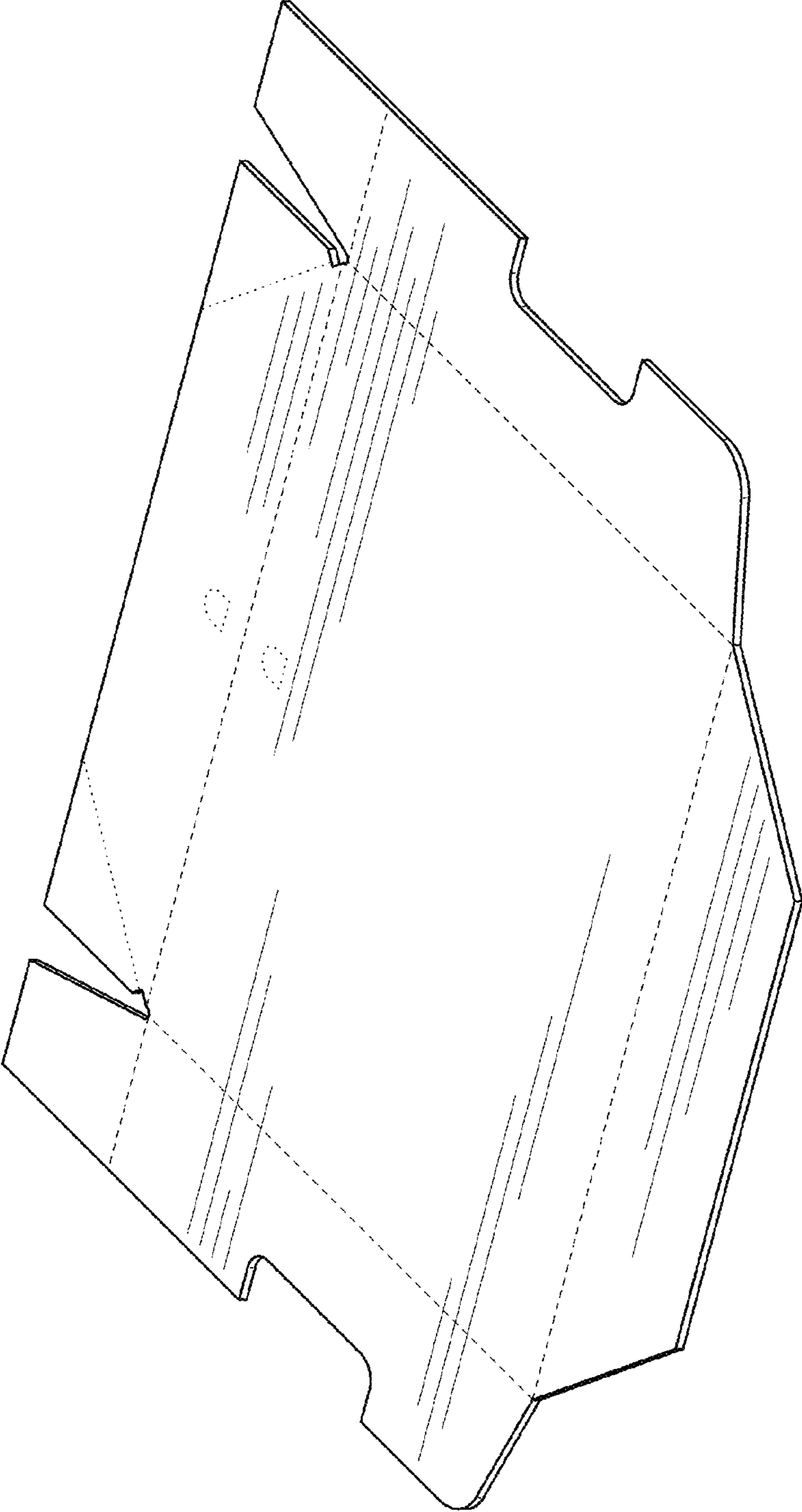


FIG. 1



FIG. 2



FIG. 3



FIG. 4

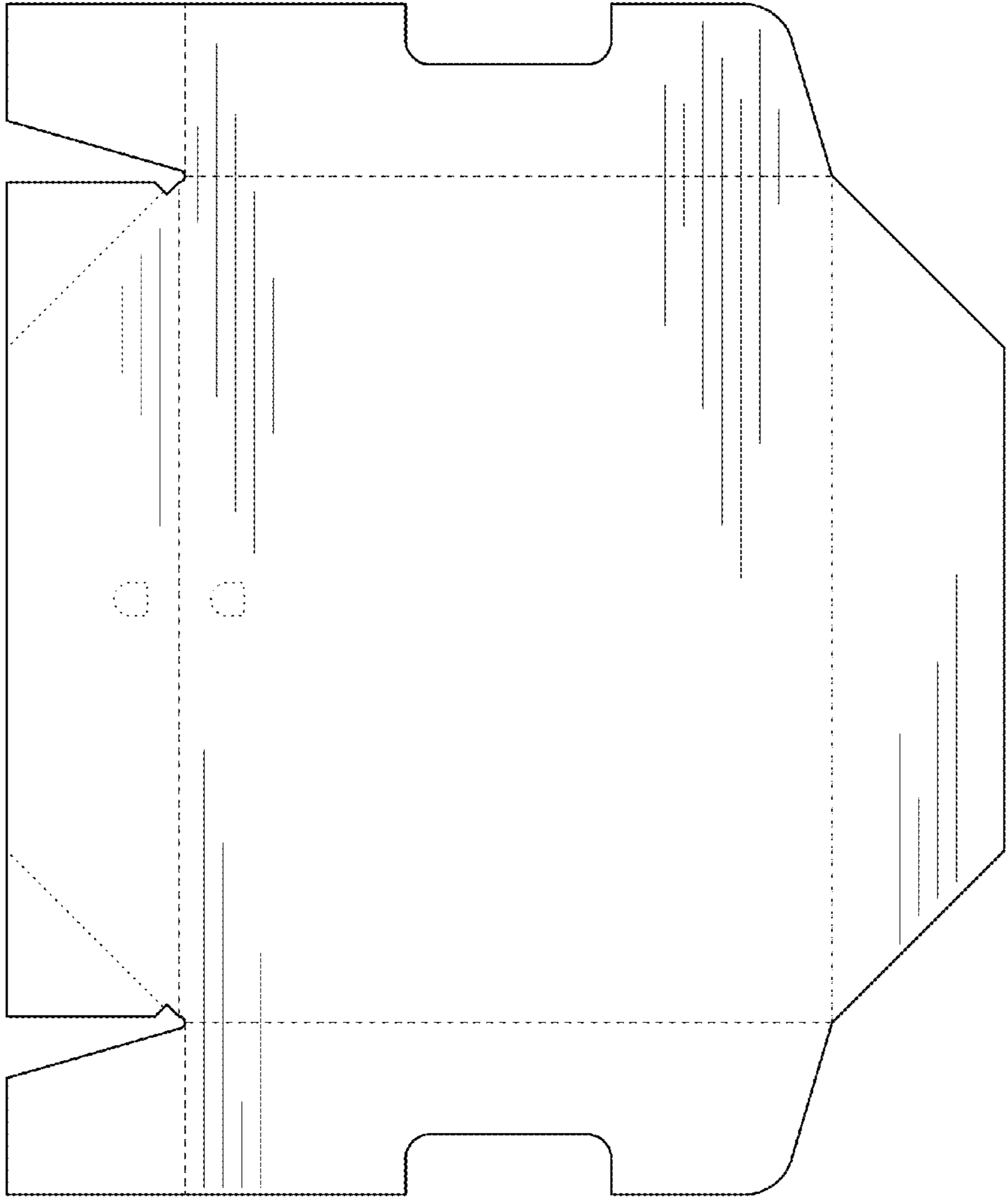


FIG. 5

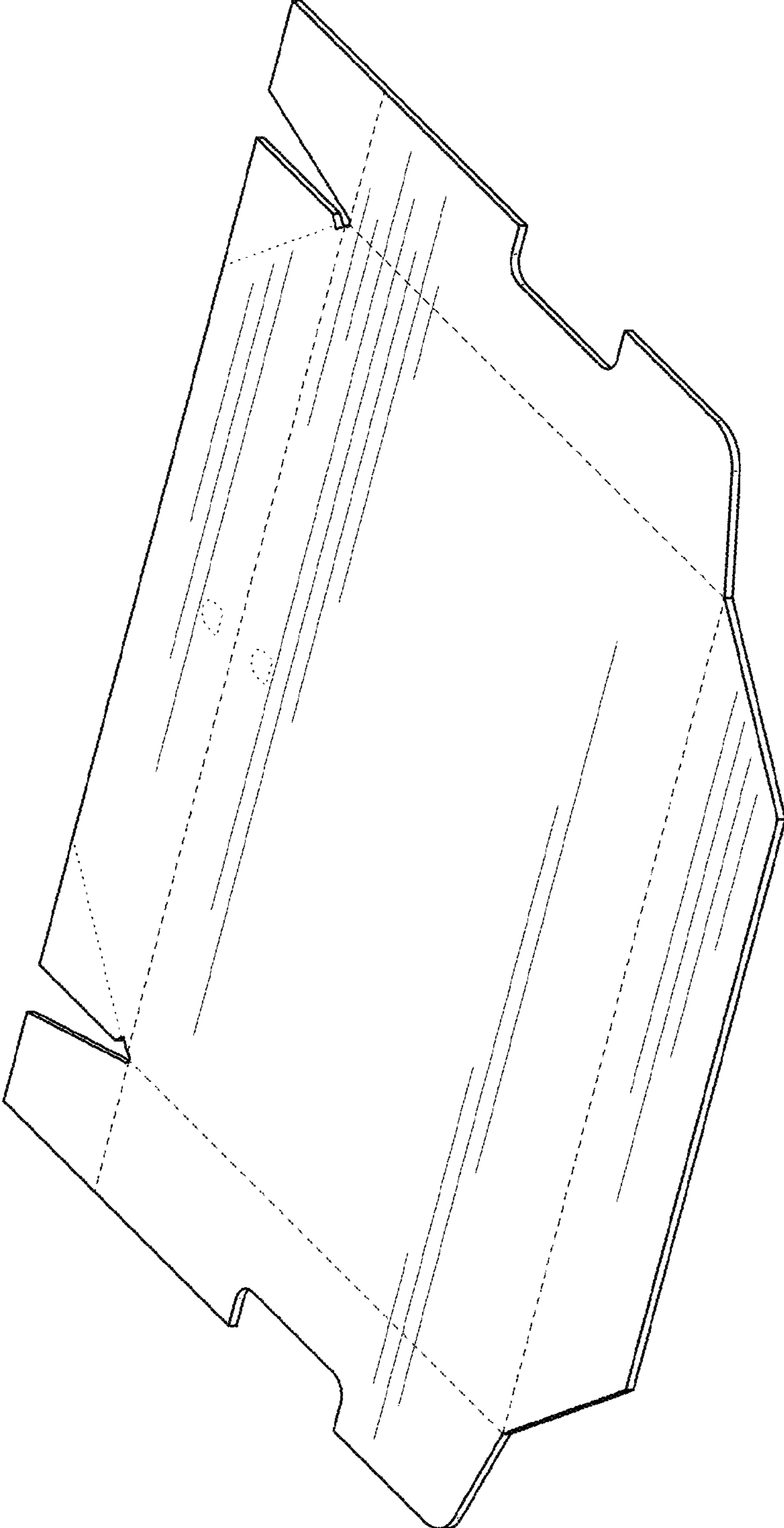


FIG. 6



FIG. 7

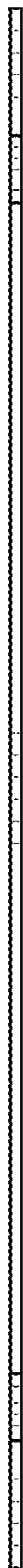


FIG. 8



FIG. 9

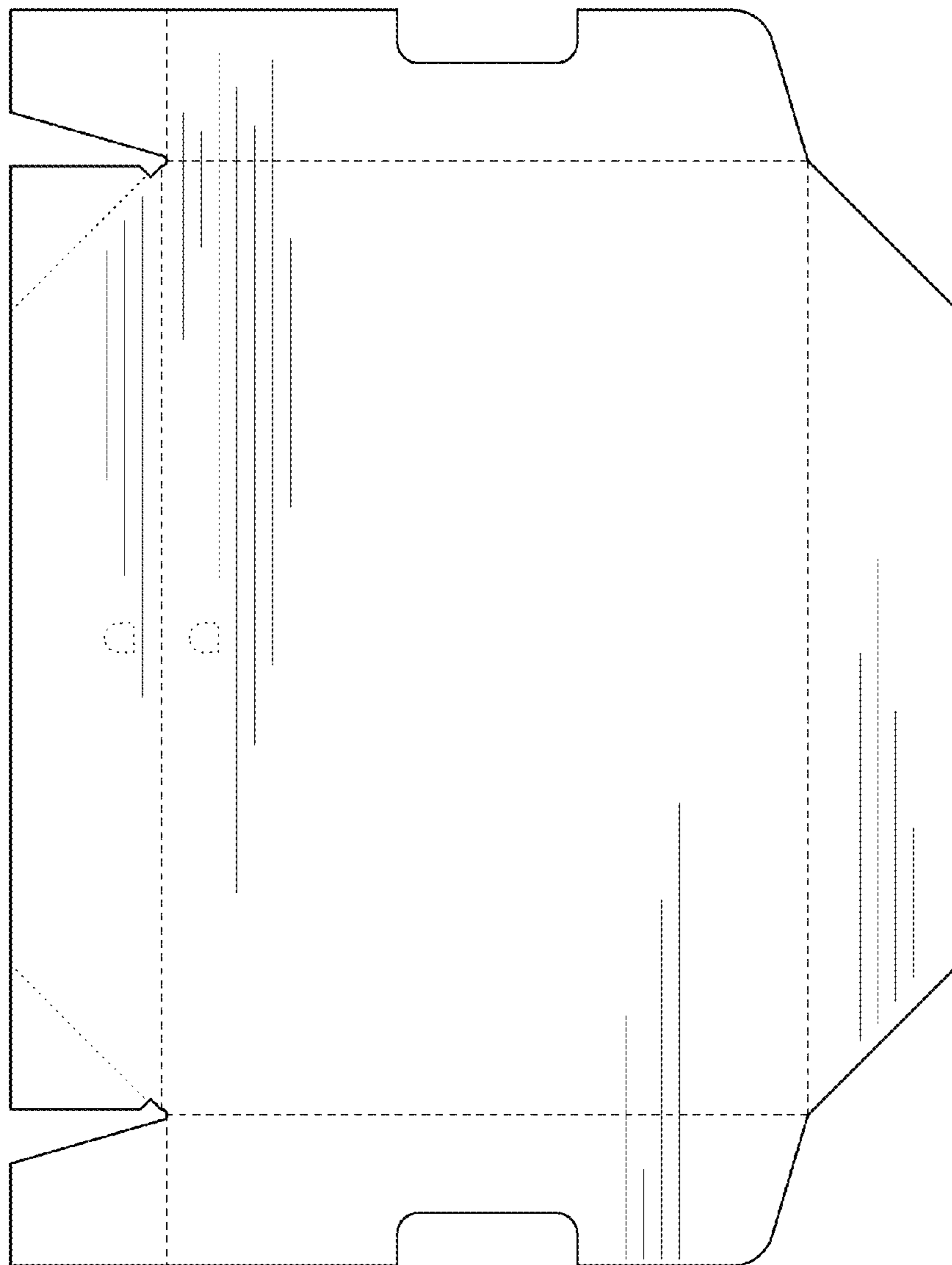


FIG. 10

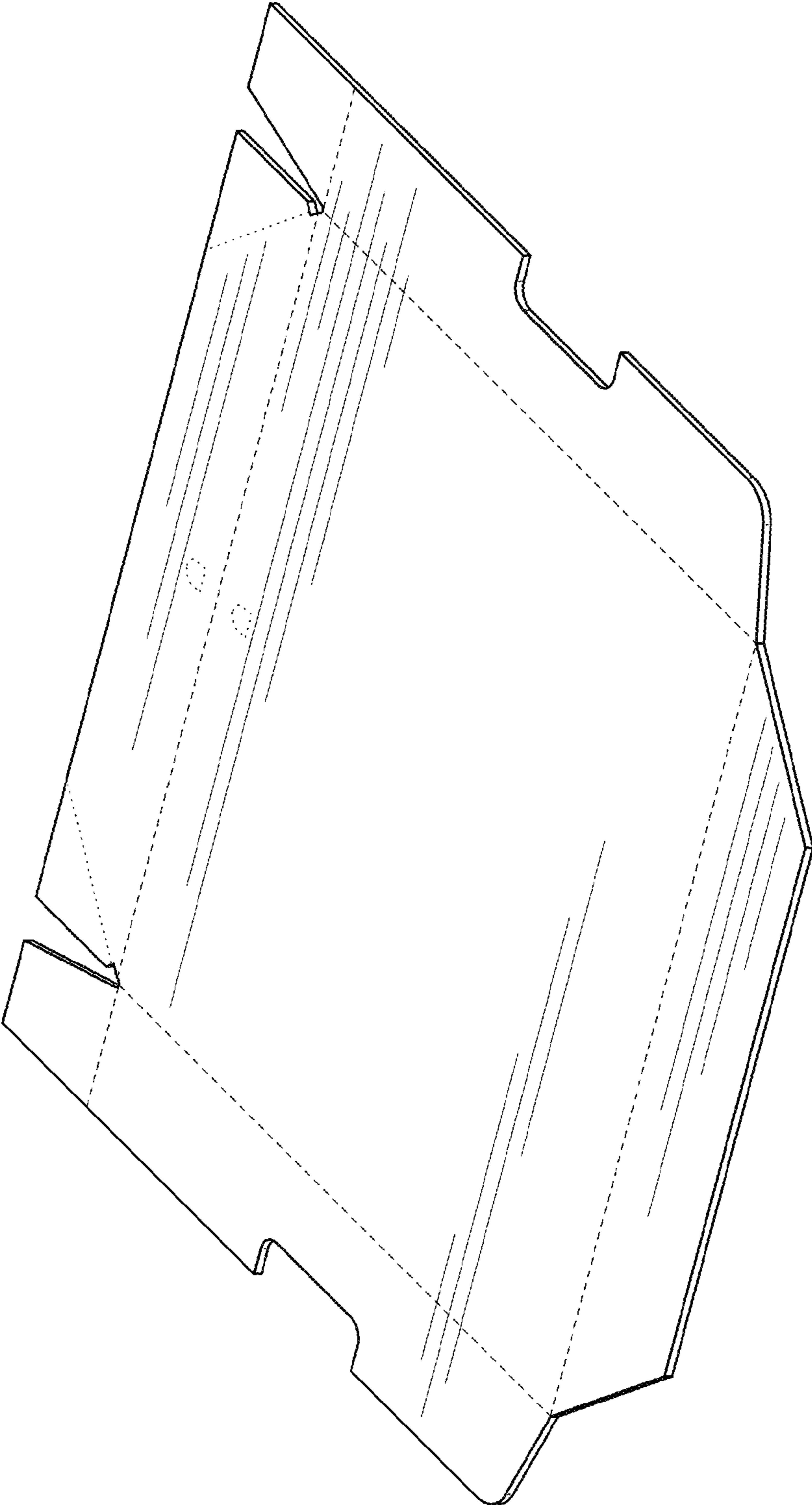


FIG. 11



FIG. 12



FIG. 13

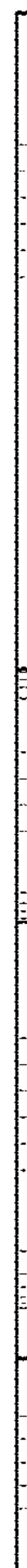


FIG. 14

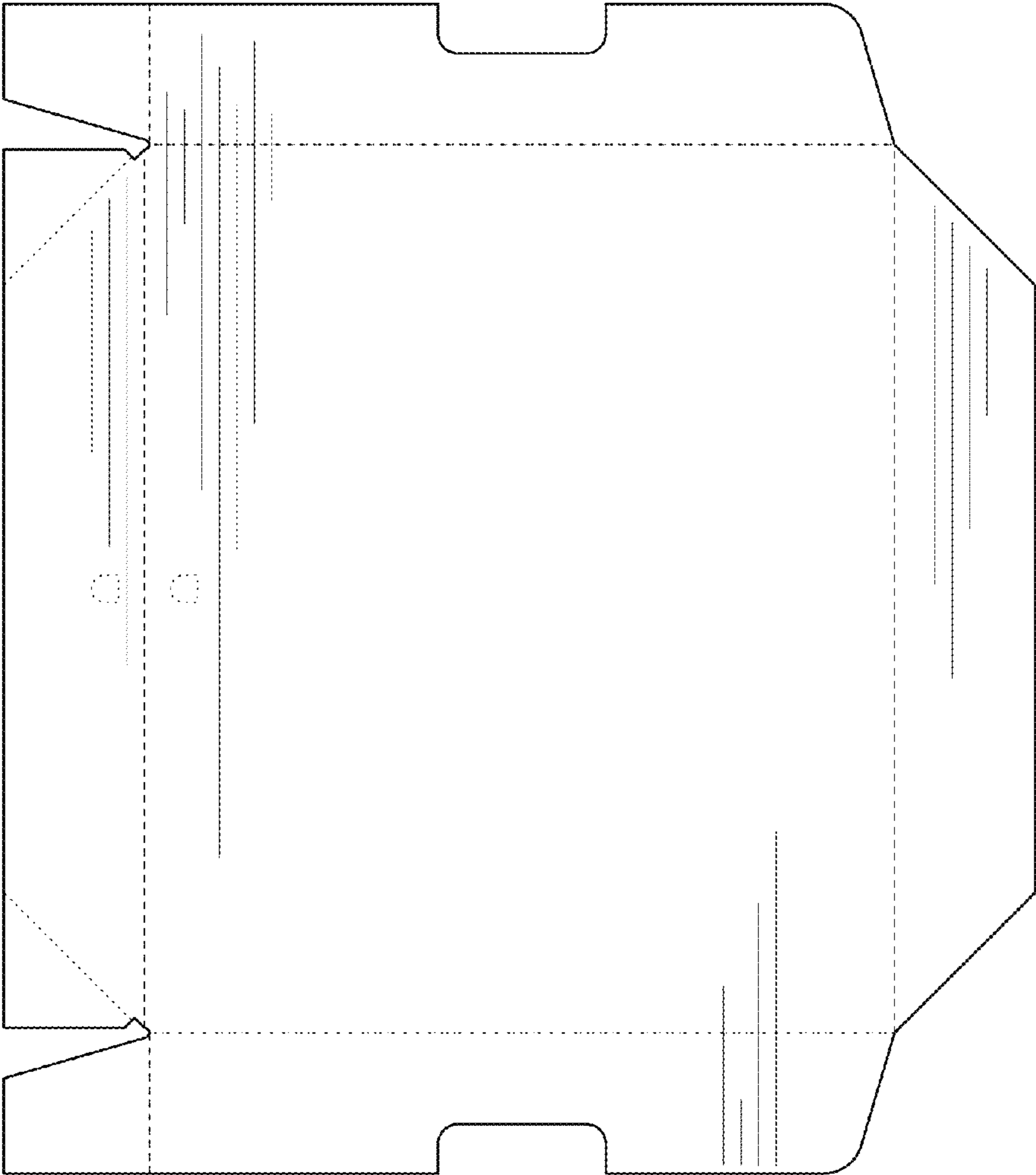


FIG. 15

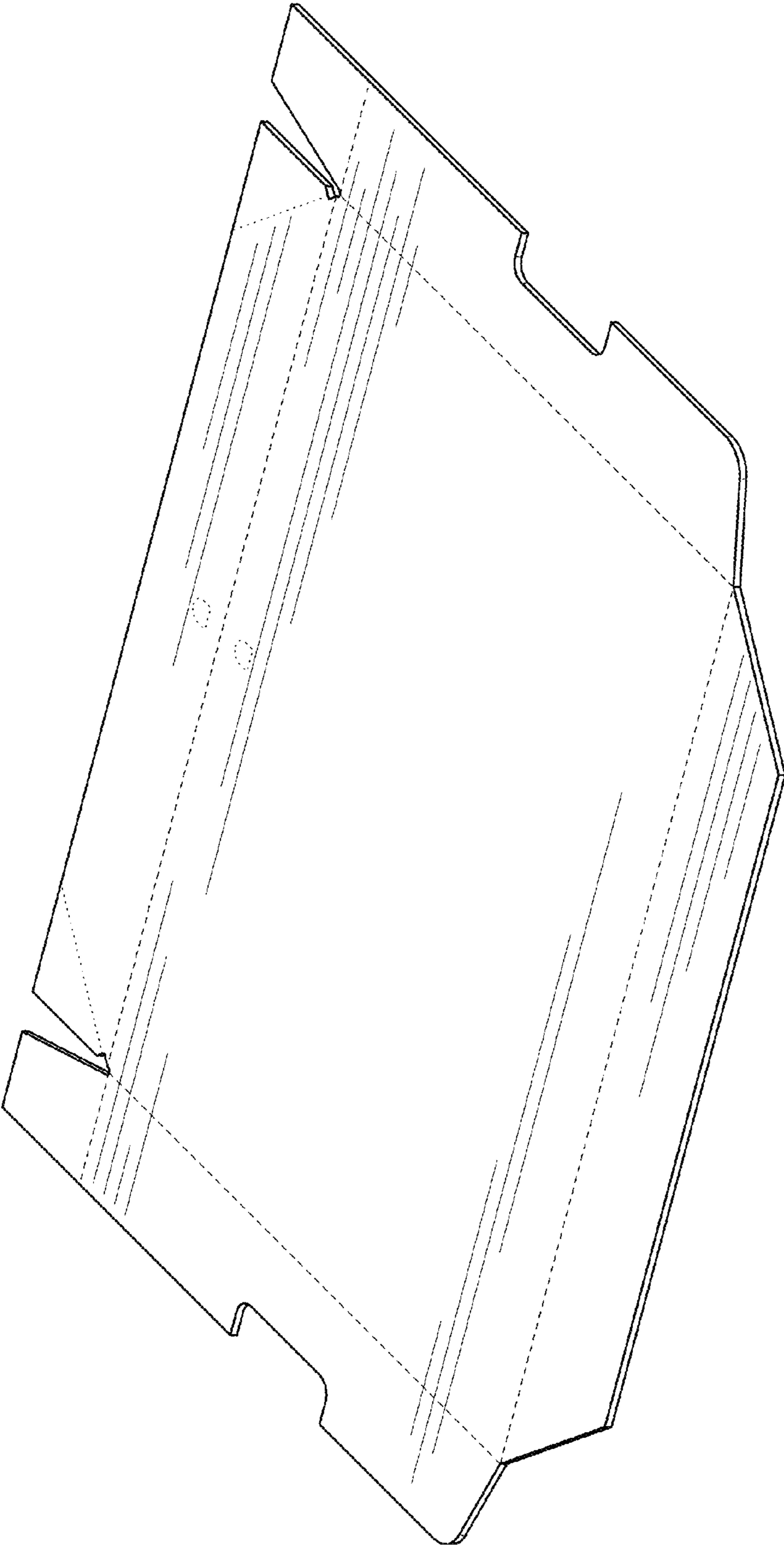


FIG. 16



FIG. 17



FIG. 18



FIG. 19

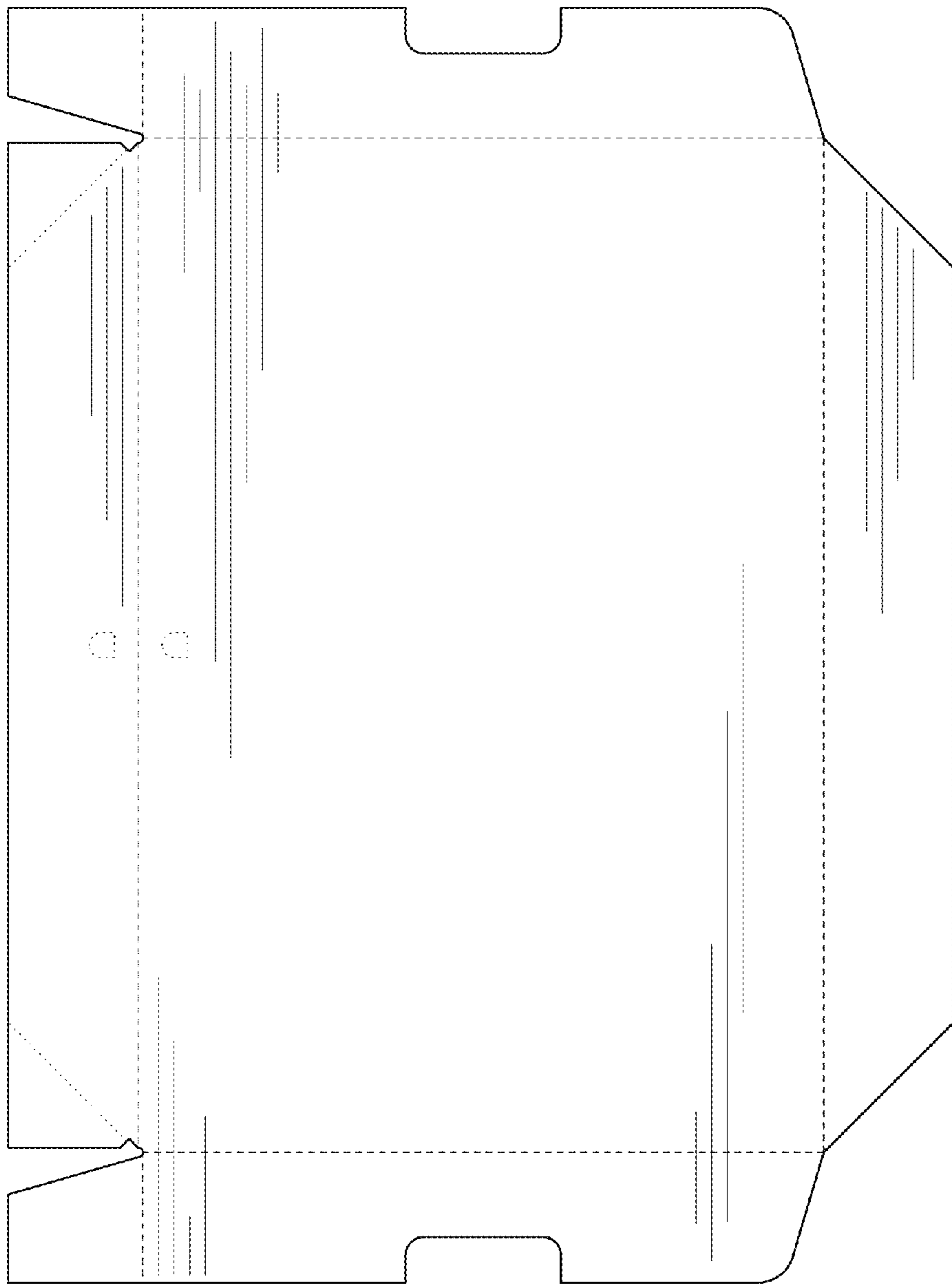


FIG. 20