



US00D714136S

(12) **United States Design Patent**
Stepanov

(10) **Patent No.:** **US D714,136 S**

(45) **Date of Patent:** **** Sep. 30, 2014**

(54) **CONTAINER**

(71) Applicant: **Ludmila Stephanoff**, Richmond Hill
(CA)

(72) Inventor: **Alexander Stepanov**, Richmond Hill
(CA)

(73) Assignee: **Ludmila Stephanoff**, Richmond Hill
(CA)

(**) Term: **14 Years**

(21) Appl. No.: **29/457,153**

(22) Filed: **Jun. 7, 2013**

(51) **LOC (10) Cl.** **09-03**

(52) **U.S. Cl.**
USPC **D9/432**

(58) **Field of Classification Search**

CPC B29L 2031/7162; B29L 2031/7164;
B29L 2031/7166; B65D 1/22; B65D 1/34;
B65D 43/162; B65D 81/02; B65D 81/3813;
B65D 5/00; B65D 5/001; B65D 5/0025;
B65D 5/005; B65D 5/067-5/069; B65D 5/64;
B65D 5/72; B65D 21/00
USPC D9/415-419, 420-425, 428, 429-435,
D9/708, 719, 734; D3/203.2, 272, 273,
D3/294, 302-304; D7/538-542, 601, 602,
D7/629; 220/780-806, 574-575;
206/521.1, 541, 564; 229/100-101.3,
229/106, 108-112, 124, 125, 162.1, 165,
229/172, 182.1, 183, 185, 200, 210, 221,
229/406, 407

See application file for complete search history.

(56) **References Cited**

U.S. PATENT DOCUMENTS

2,765,973 A * 10/1956 Goldstein 229/125
2,852,177 A * 9/1958 Frasch 229/120.32

3,658,237 A * 4/1972 Engel 229/117.04
D348,833 S * 7/1994 Gulliver D9/416
D349,049 S * 7/1994 Gulliver D9/416
D455,958 S * 4/2002 Burrus D9/433
D652,717 S * 1/2012 Shimoyama et al. D9/432
D674,691 S * 1/2013 Martineck D9/432

* cited by examiner

Primary Examiner — Susan Bennett Hattan

Assistant Examiner — Vy Koenig

(74) *Attorney, Agent, or Firm* — GTC Law Group LLP & Affiliates

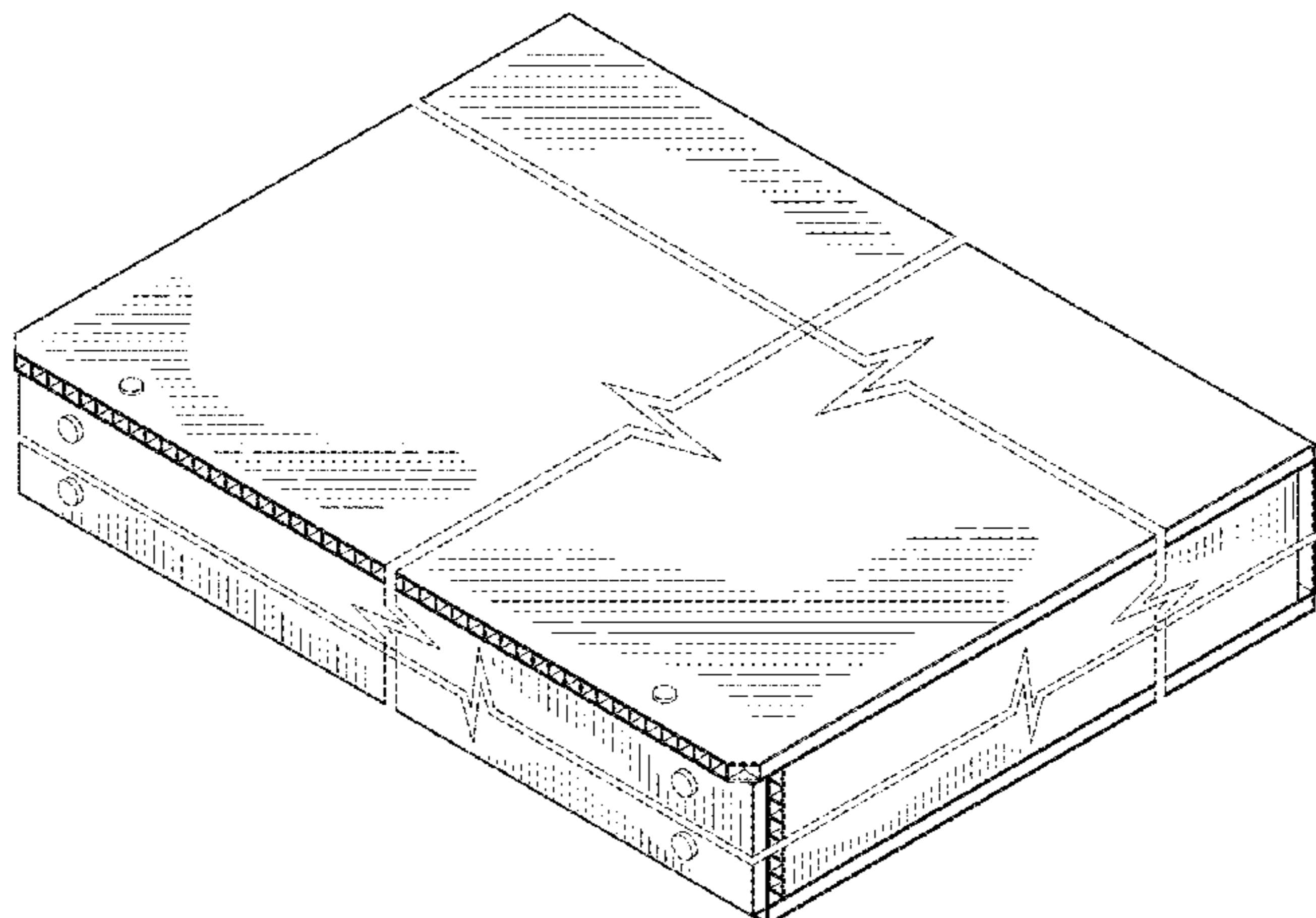
(57) **CLAIM**

The ornamental design for a container, as shown.

DESCRIPTION

FIG. 1 is a front perspective closed view of our new design;
FIG. 2 is a front perspective open view thereof;
FIG. 3 is a top plan view thereof;
FIG. 4 is a bottom plan view thereof;
FIG. 5 is a right side elevation view thereof;
FIG. 6 is a left side elevation view thereof;
FIG. 7 is a front elevation view thereof;
FIG. 8 is a rear elevation view thereof;
FIG. 9 is a first close-up detail of the front perspective open view; and,
FIG. 10 is a second close-up detail of the front perspective open view.
The broken lines in FIGS. 1-10 depict environmental subject matter and form no part of the claimed design.
The broken away lines and symbols in the drawings indicate that the appearance of any portion of the article between the break lines forms no part of the claimed design.

1 Claim, 6 Drawing Sheets



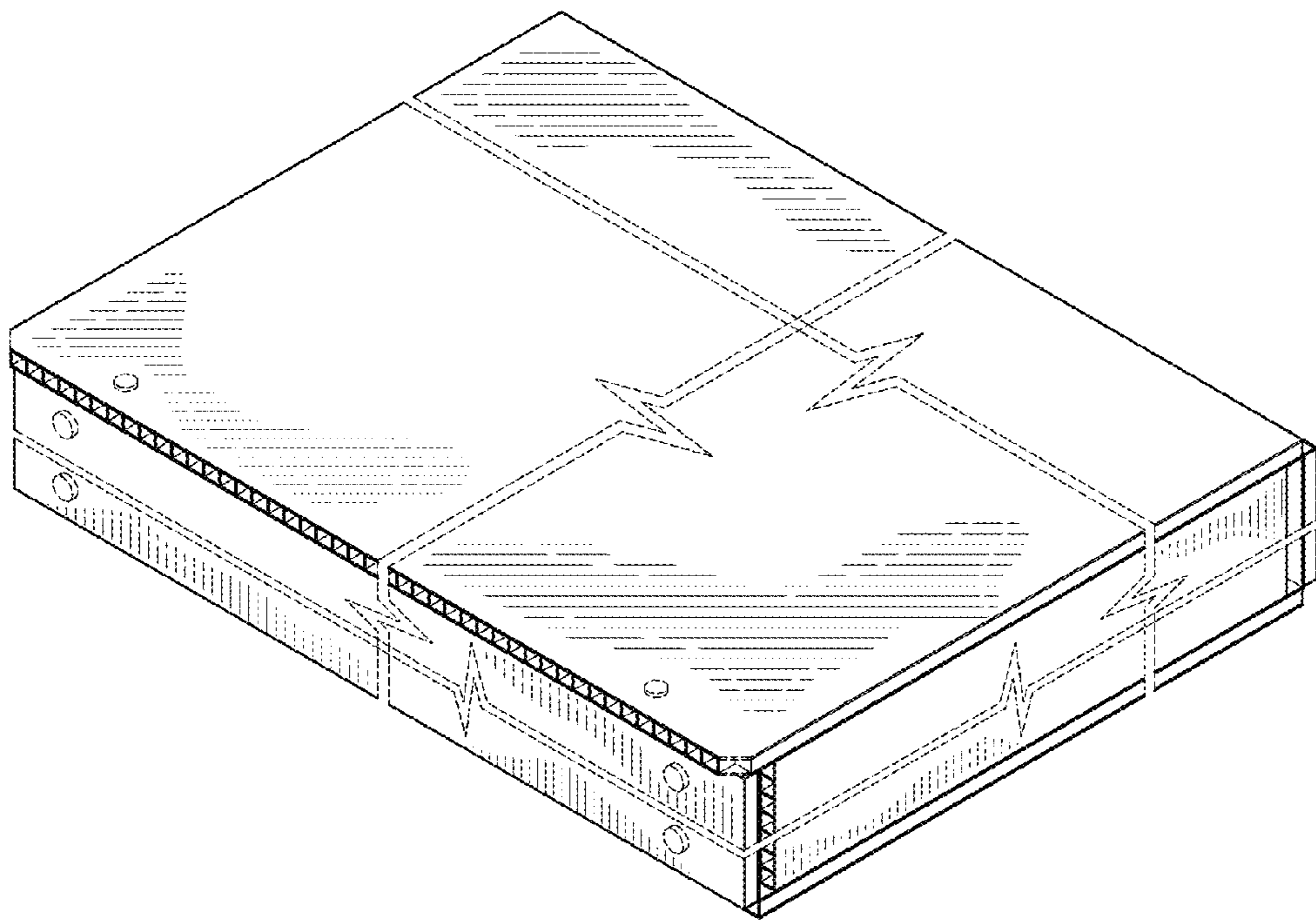


FIG. 1

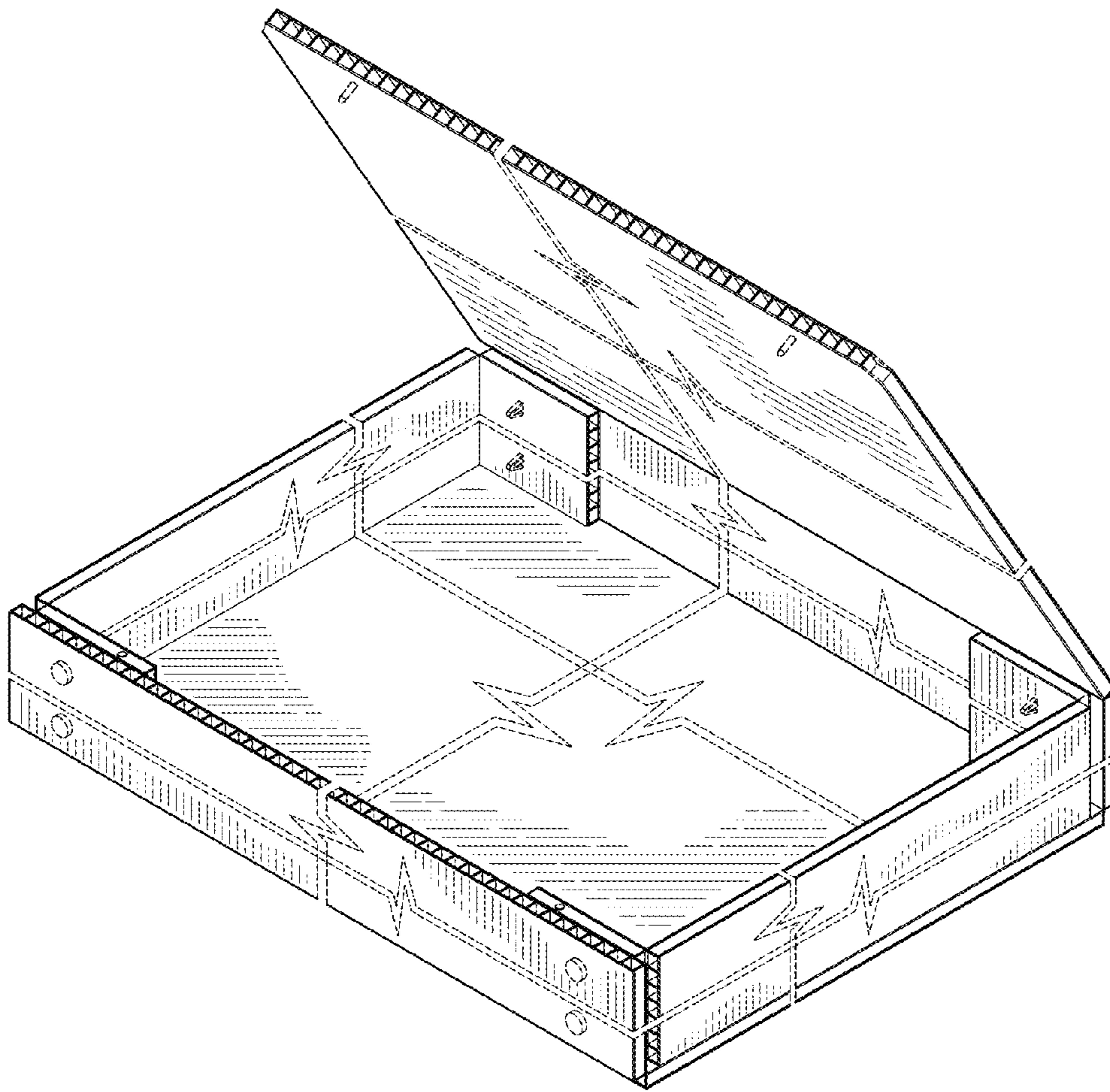


FIG. 2

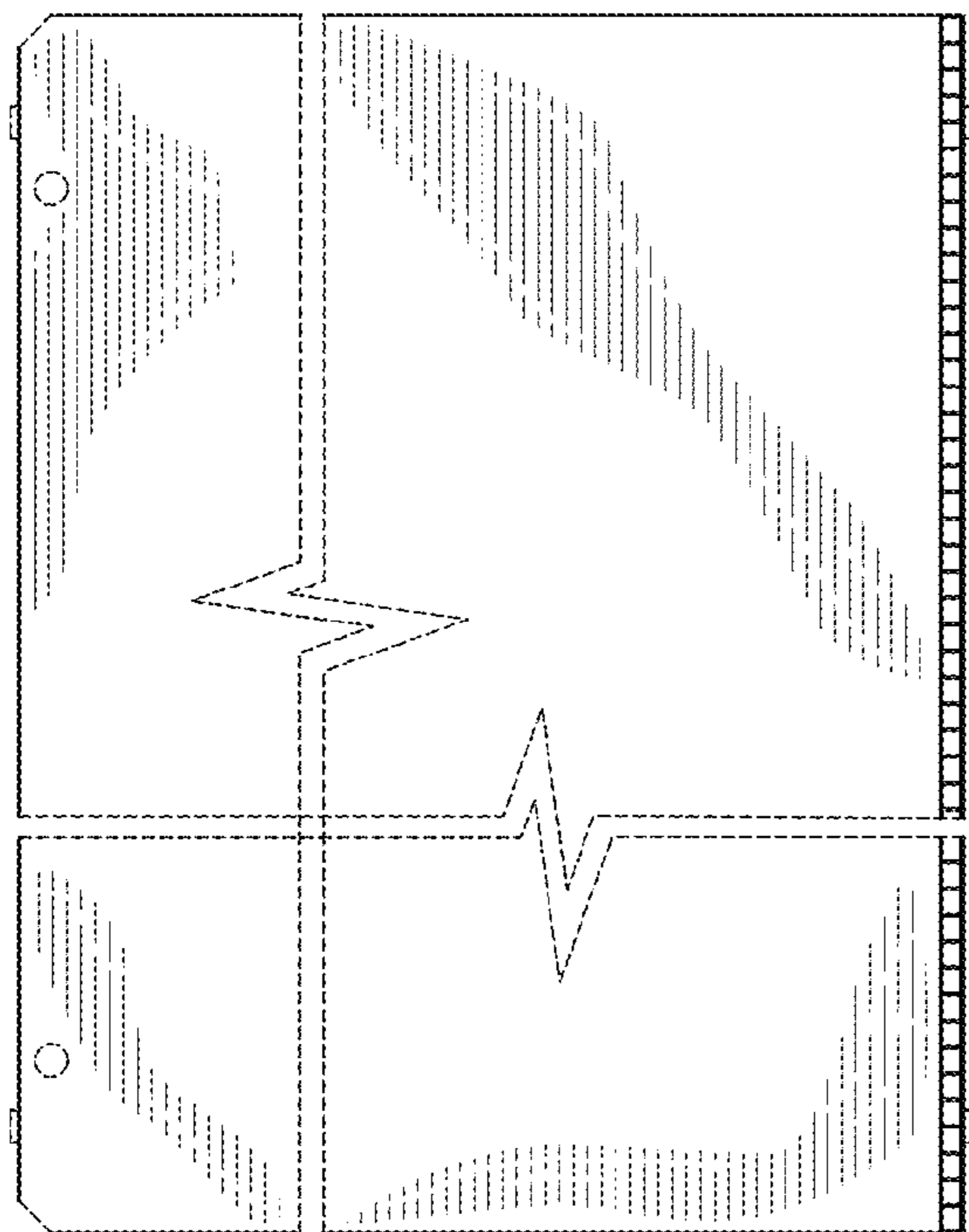


FIG. 3

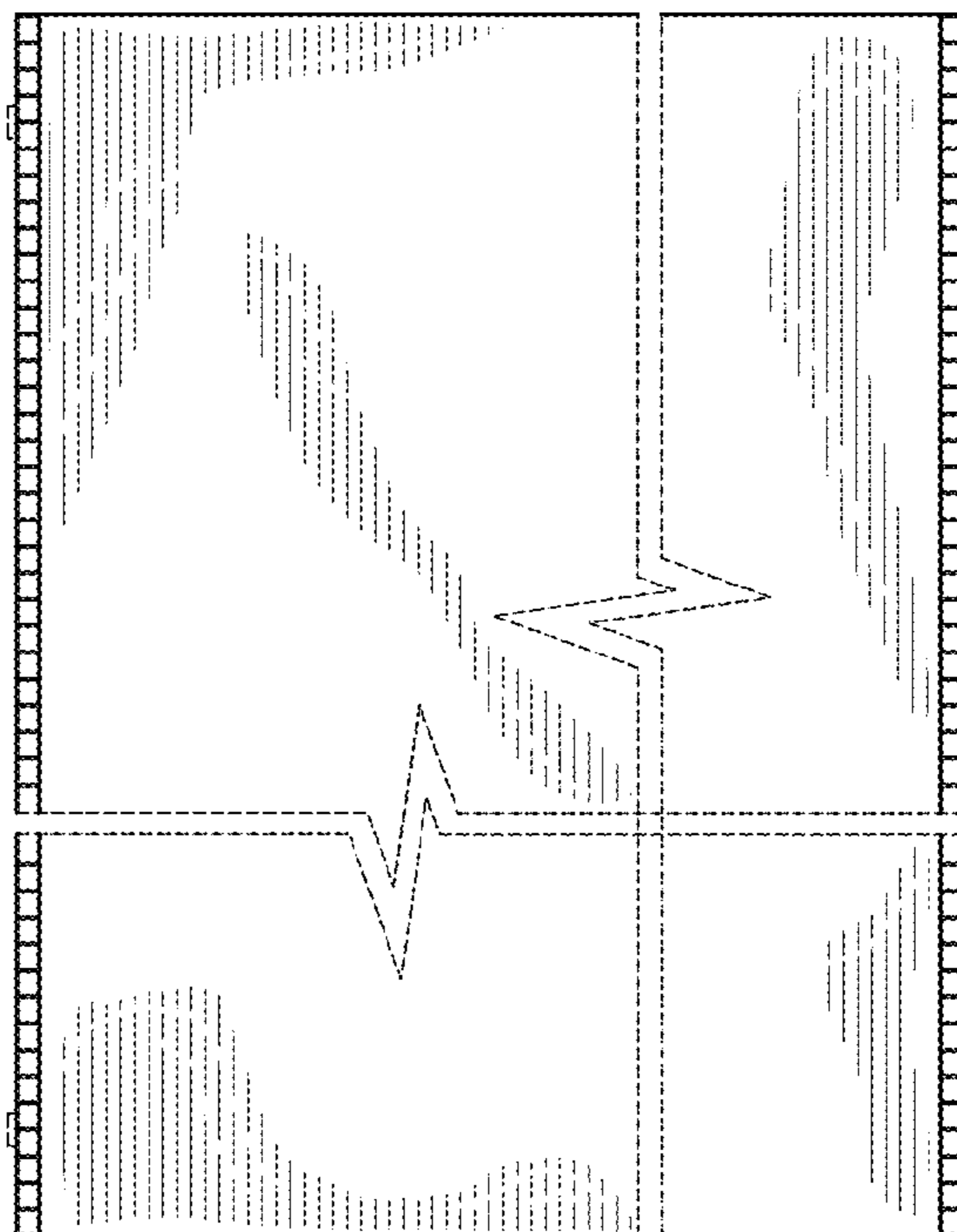


FIG. 4

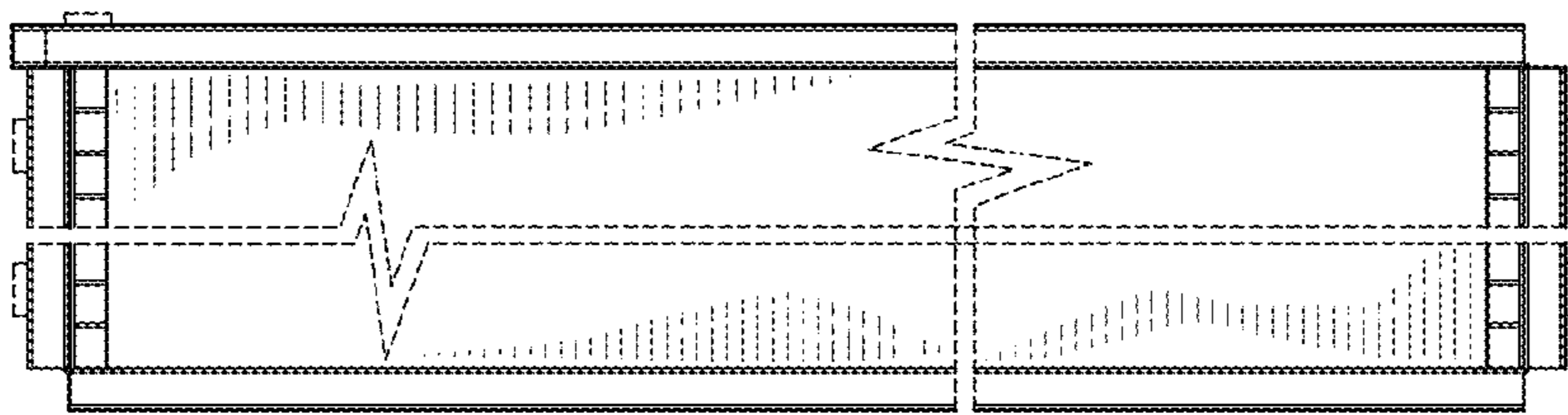


FIG. 5

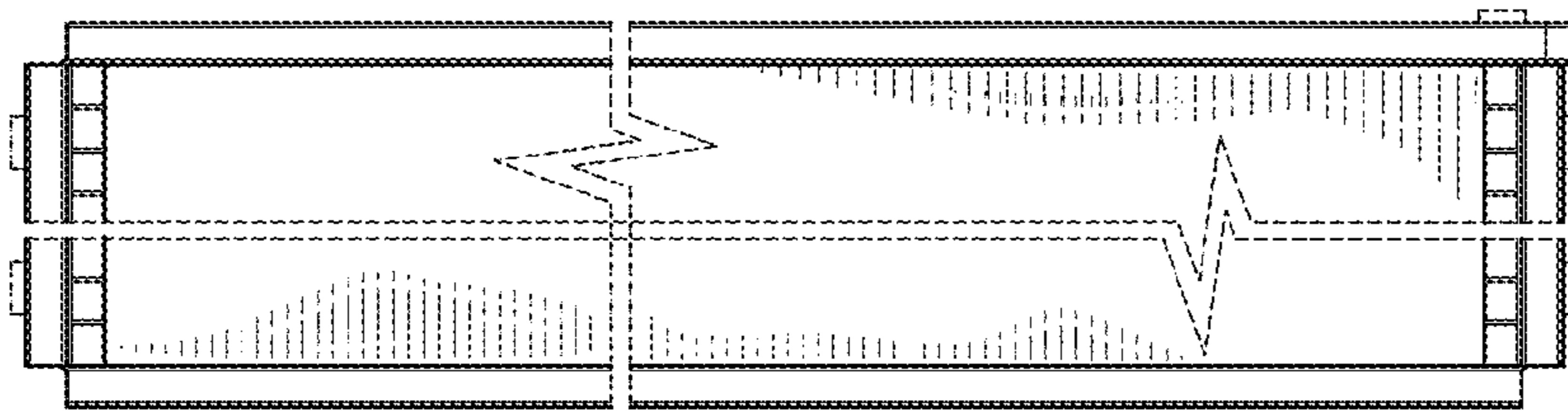


FIG. 6

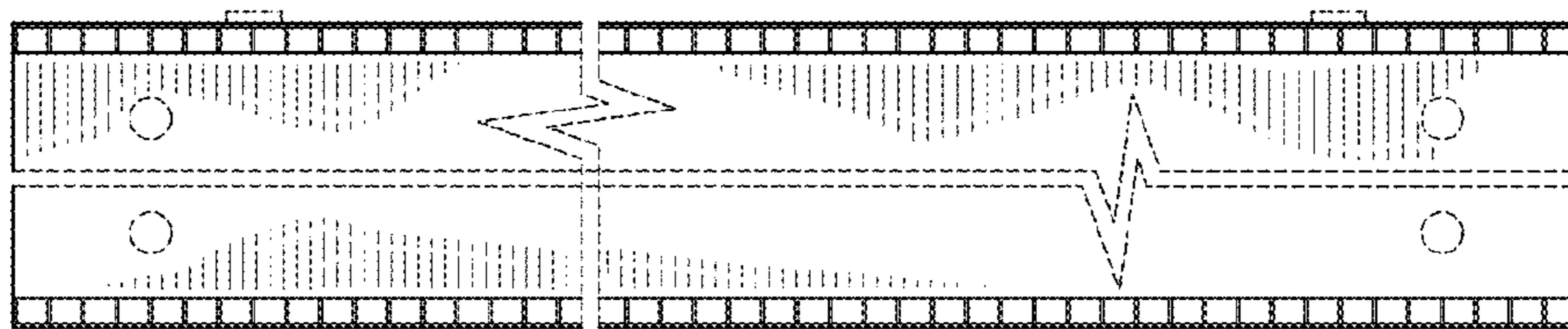


FIG. 7

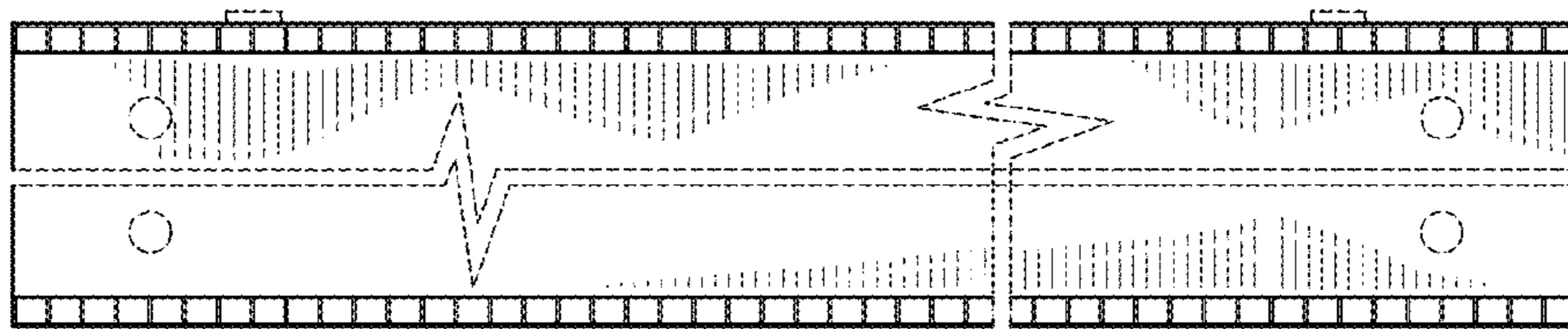


FIG. 8

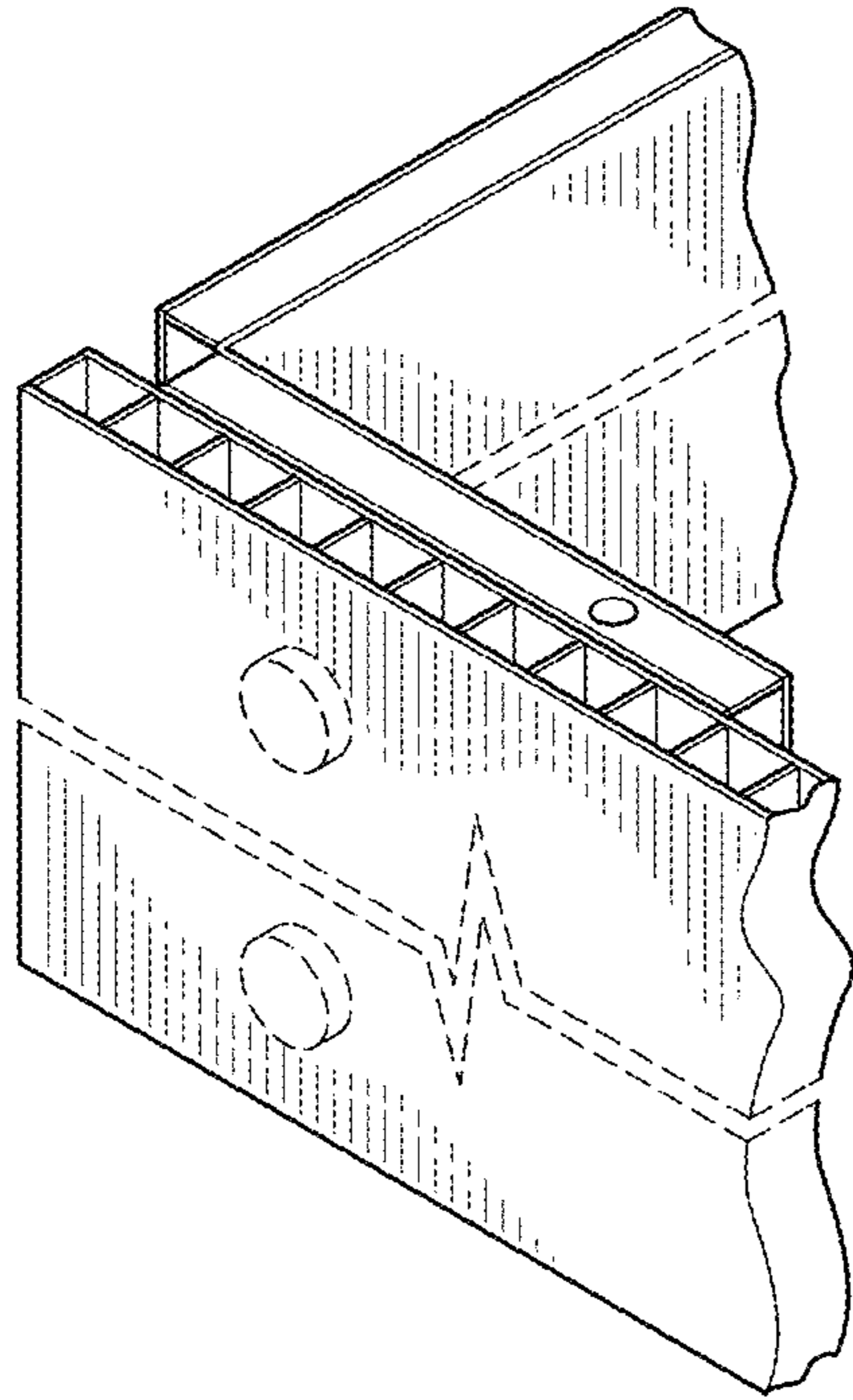


FIG. 9

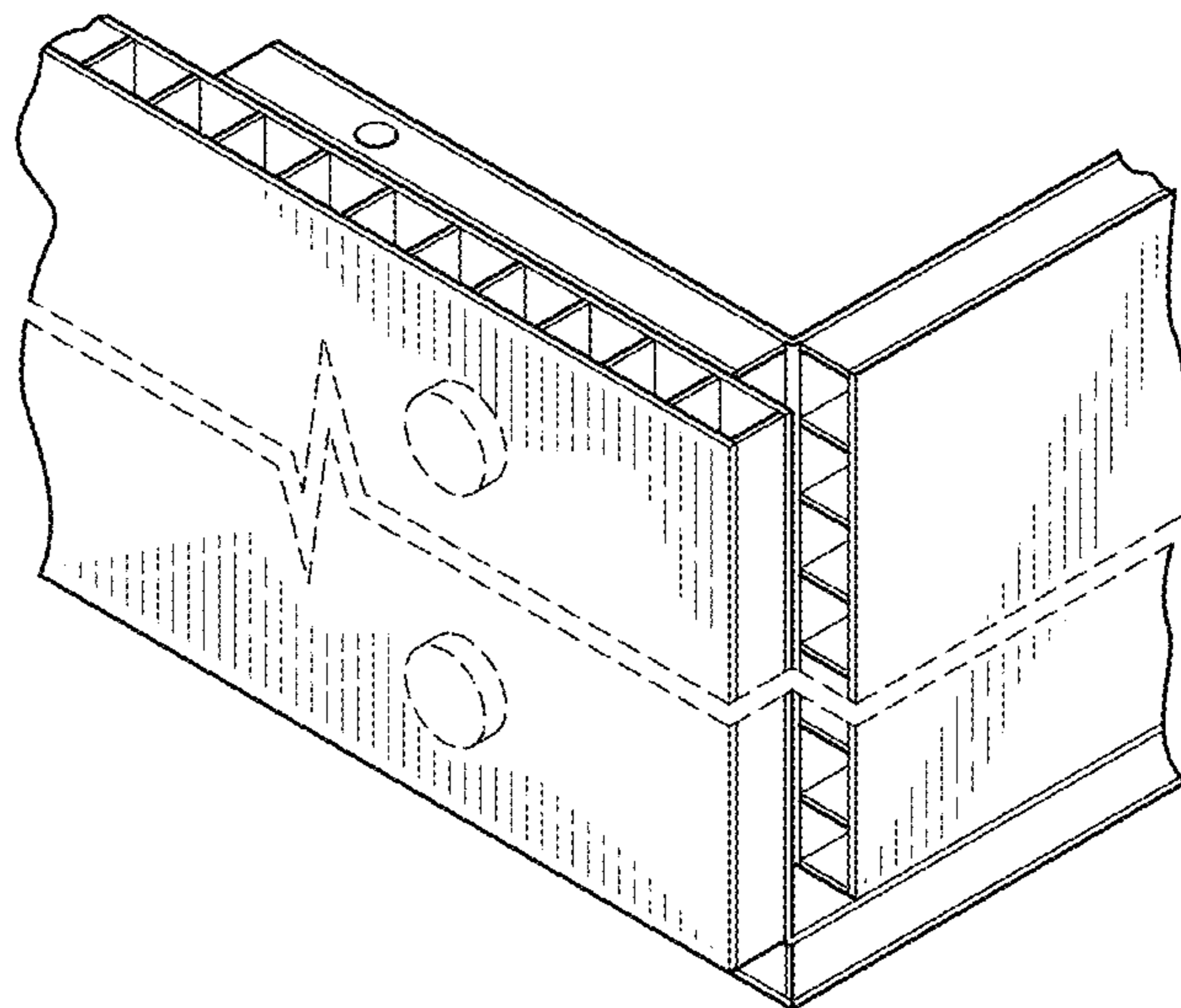


FIG. 10