



US00D714135S

(12) **United States Design Patent**
Chang

(10) **Patent No.:** **US D714,135 S**

(45) **Date of Patent:** **** Sep. 30, 2014**

(54) **TOOL HOLDER FOR CIRCULAR SAW
BLADE**

(71) Applicant: **Chun Nien Plastic Ltd.**, Taichung (TW)

(72) Inventor: **Chi-Tsai Chang**, Taichung (TW)

(73) Assignee: **Chun Nien Plastic Ltd.**, Taichung (TW)

(**) Term: **14 Years**

(21) Appl. No.: **29/484,574**

(22) Filed: **Mar. 11, 2014**

(30) **Foreign Application Priority Data**

Sep. 13, 2013 (TW) 102306148

(51) **LOC (10) Cl.** **09-03**

(52) **U.S. Cl.**
USPC **D9/415**

(58) **Field of Classification Search**
USPC D9/414, 415, 438, 440, 445, 418, 433,
D9/722, 457, 456, 499, 703, 707, 702, 424,
D9/425; 206/461, 463, 464, 768, 476, 489,
206/807, 804, 806, 466, 465, 769, 776,
206/779; 383/101, 107, 108, 109
See application file for complete search history.

(56) **References Cited**

U.S. PATENT DOCUMENTS

D281,580 S * 12/1985 Stevens D9/415
D293,769 S * 1/1988 Gilardone, Jr. D9/415
D431,461 S * 10/2000 Glassman D9/415
D506,130 S * 6/2005 Metaxatos D9/415

D521,861 S * 5/2006 Lee et al. D9/415
D541,145 S * 4/2007 Copp D9/415
D549,572 S * 8/2007 Althouse et al. D9/415
D554,492 S * 11/2007 Bochmann et al. D9/415
D554,493 S * 11/2007 Bochmann et al. D9/415
D577,577 S * 9/2008 Lee et al. D9/415
D577,991 S * 10/2008 Chen D9/415
D584,138 S * 1/2009 Lafortezza et al. D9/415
D587,107 S * 2/2009 Hao D9/415
D614,948 S * 5/2010 Lablaine et al. D9/415
D632,955 S * 2/2011 Smith et al. D9/415
D653,533 S * 2/2012 Brachman et al. D9/415
D695,625 S * 12/2013 Limback D9/652
D697,398 S * 1/2014 Guevara-Ludt D9/415
D700,836 S * 3/2014 Lai et al. D9/415

* cited by examiner

Primary Examiner — Ian Simmons

Assistant Examiner — Rhea Shields

(74) *Attorney, Agent, or Firm* — Muncy, Geissler, Olds & Lowe, P.C.

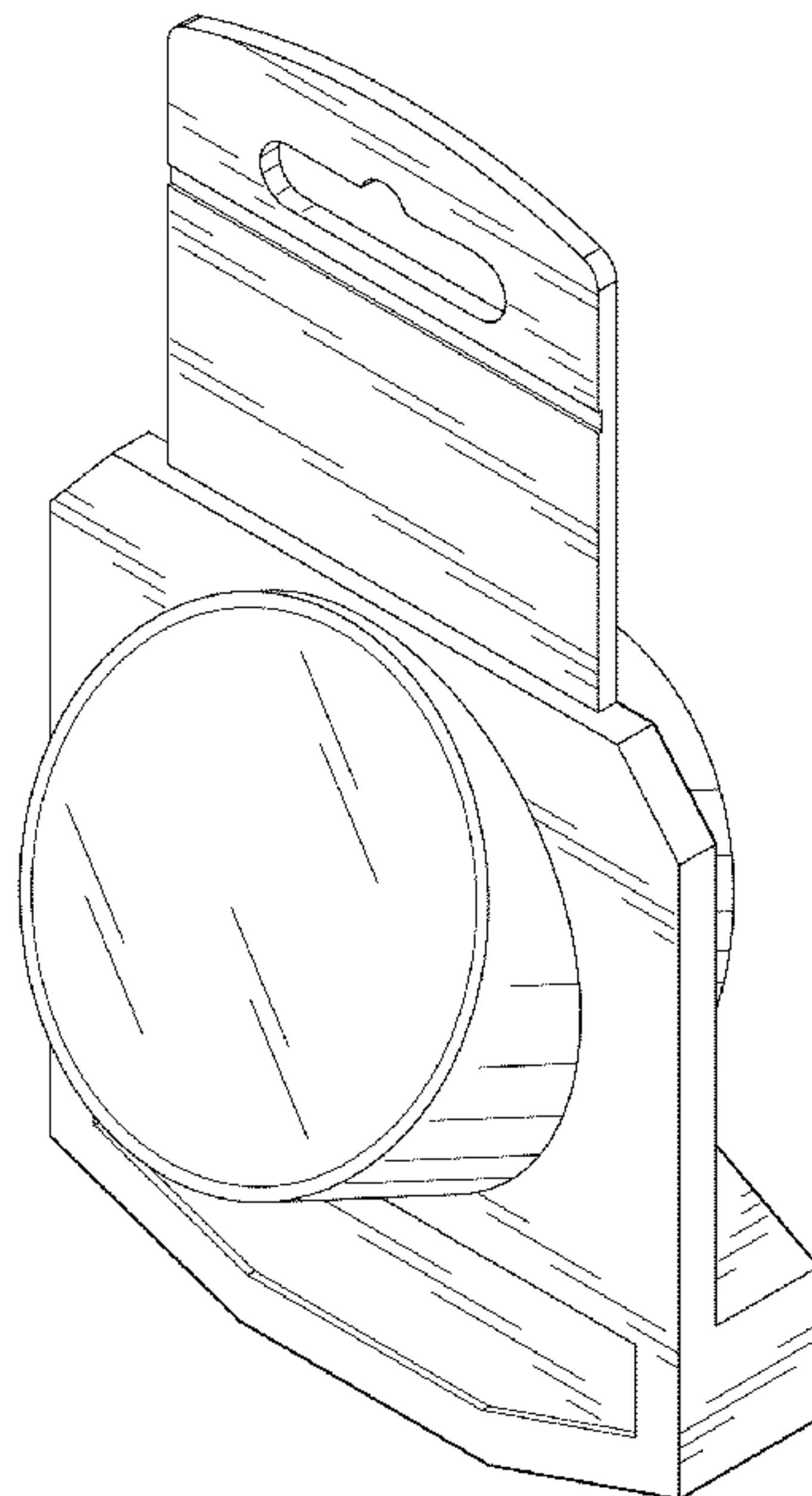
(57) **CLAIM**

I claim the ornamental design for a tool holder for circular saw blade, as shown and described.

DESCRIPTION

FIG. 1 is a perspective view of a tool holder for circular saw blade showing my new design;
FIG. 2 is a front elevational view thereof;
FIG. 3 is a rear elevational view thereof;
FIG. 4 is a left side view thereof;
FIG. 5 is a right side view thereof;
FIG. 6 is a top plan view thereof; and,
FIG. 7 is a bottom plan view.

1 Claim, 5 Drawing Sheets



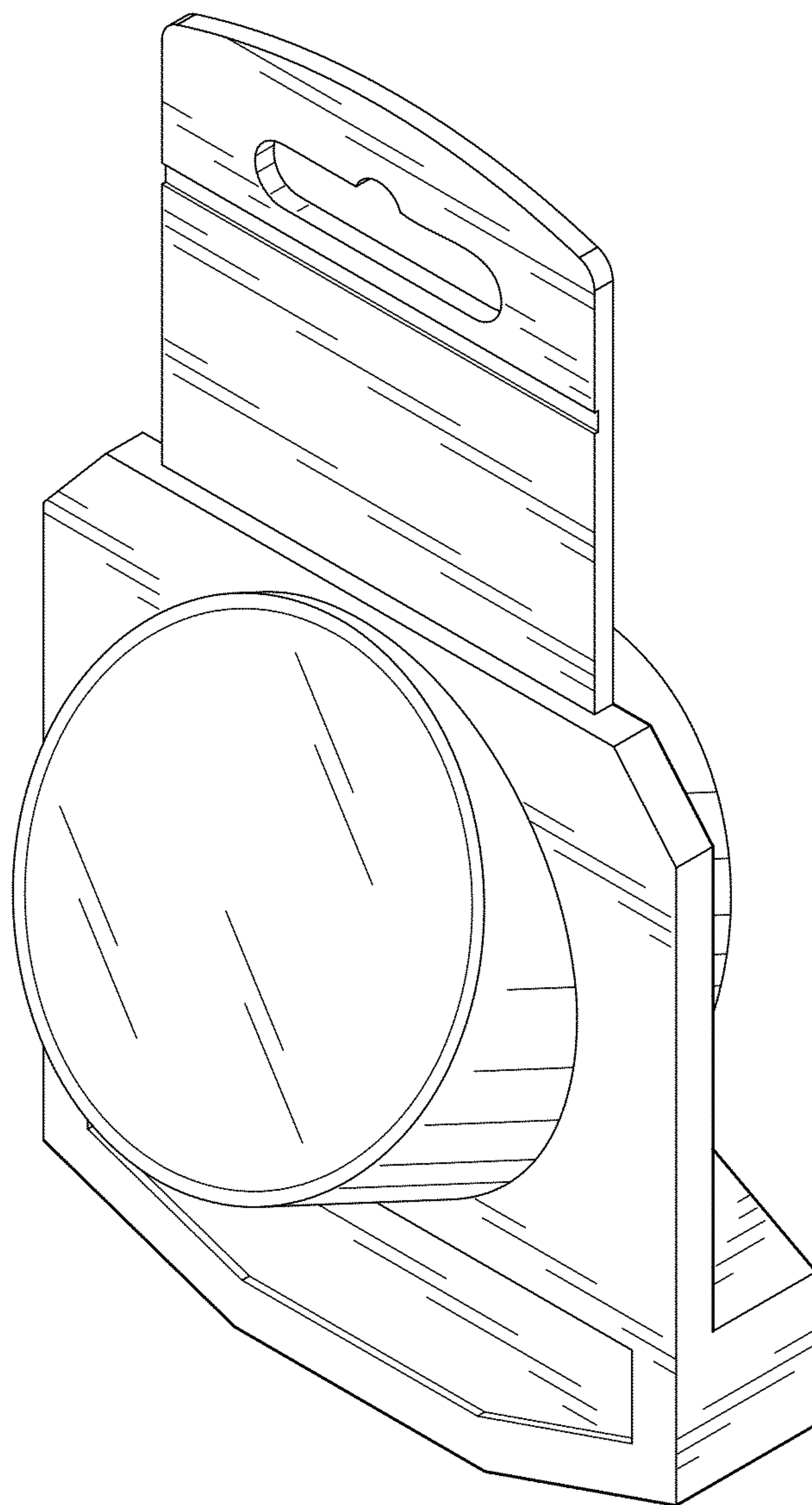


FIG. 1

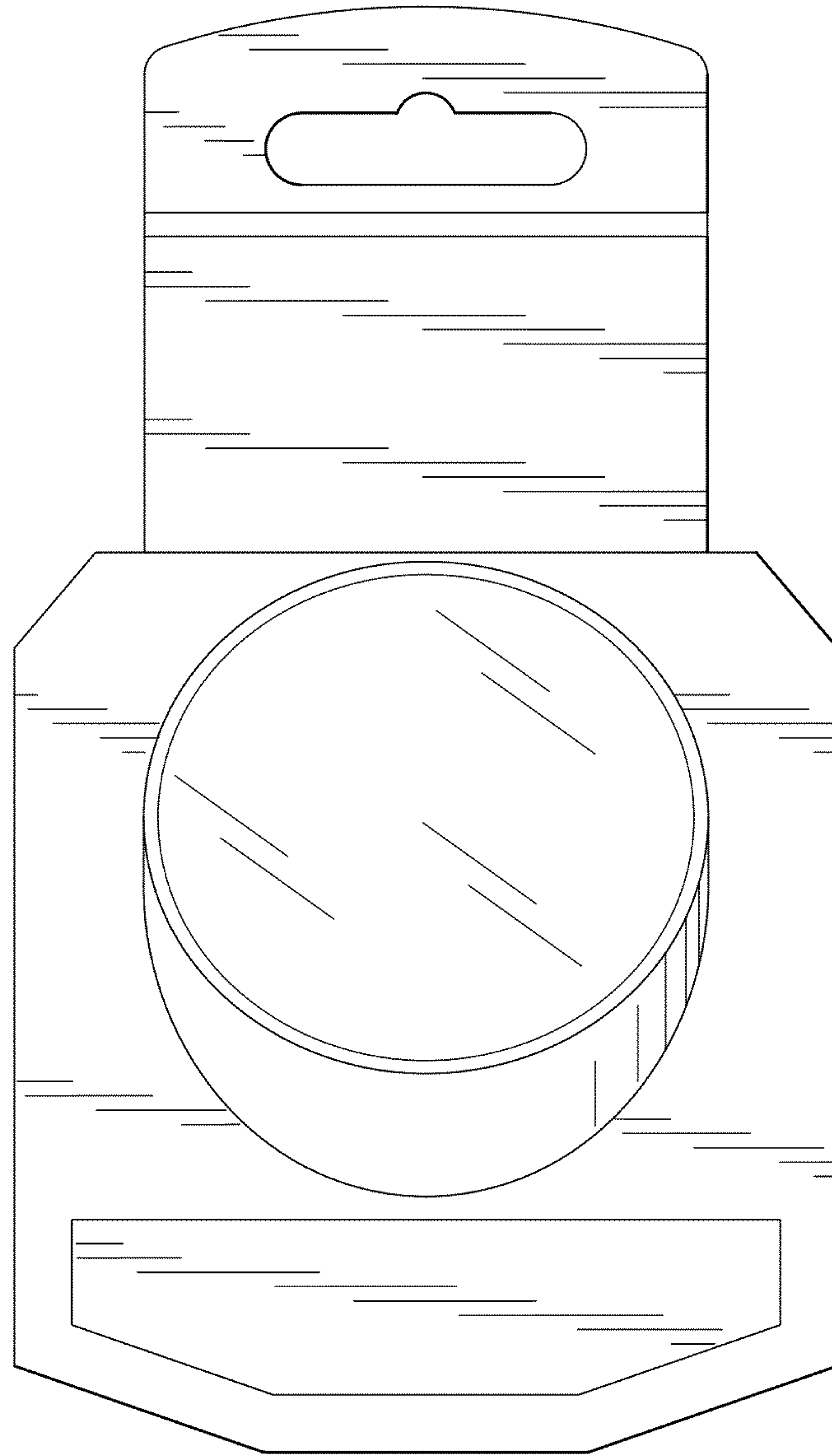


FIG. 2

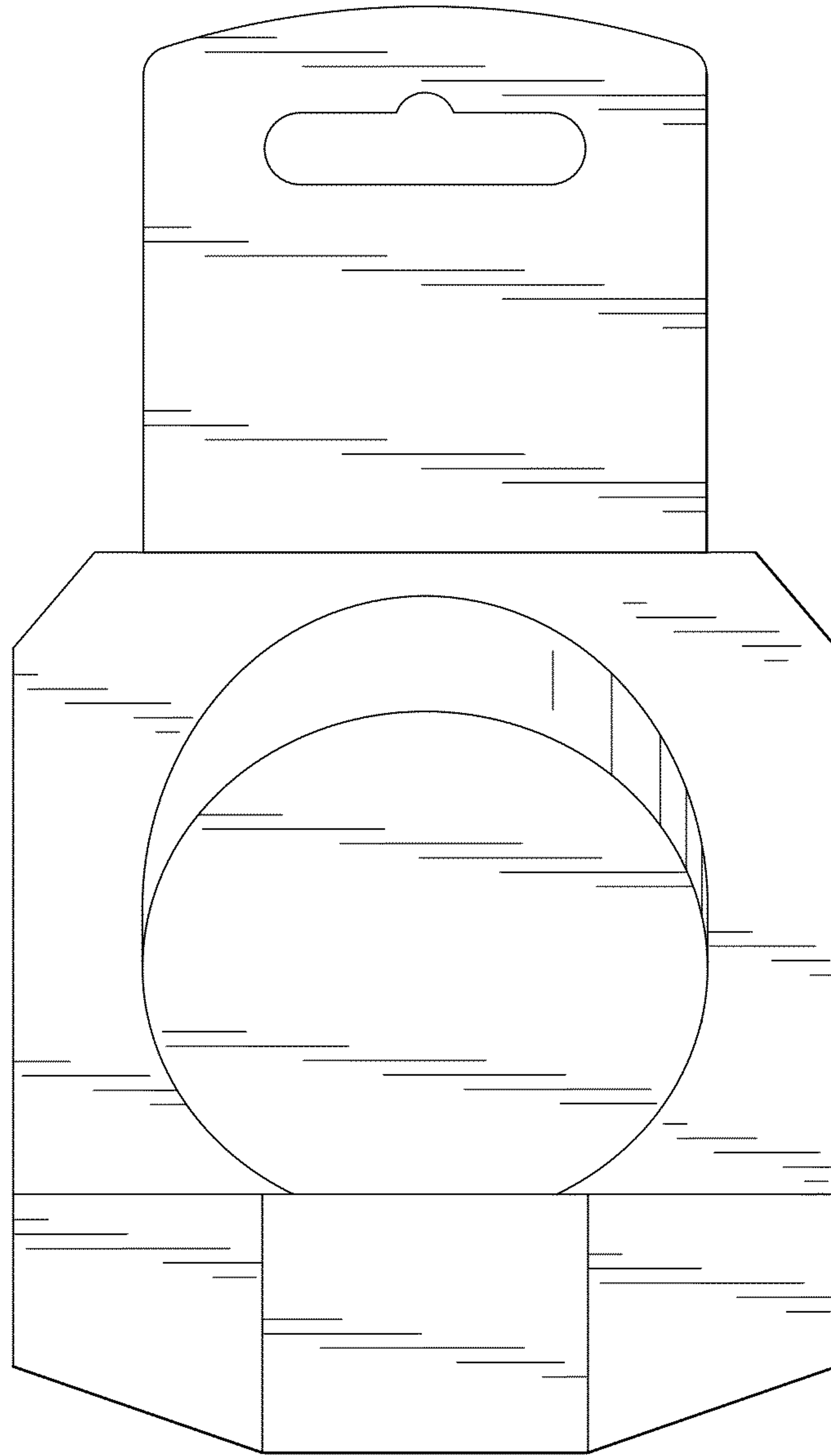


FIG. 3

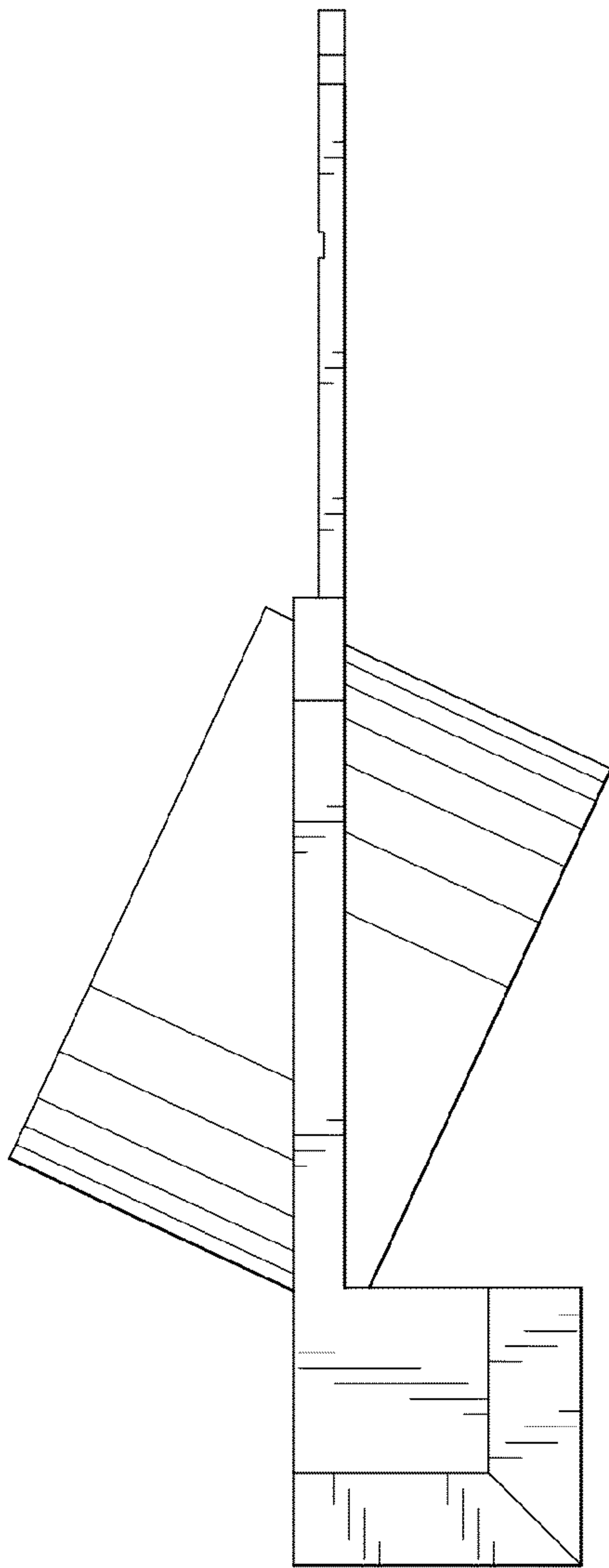


FIG. 5

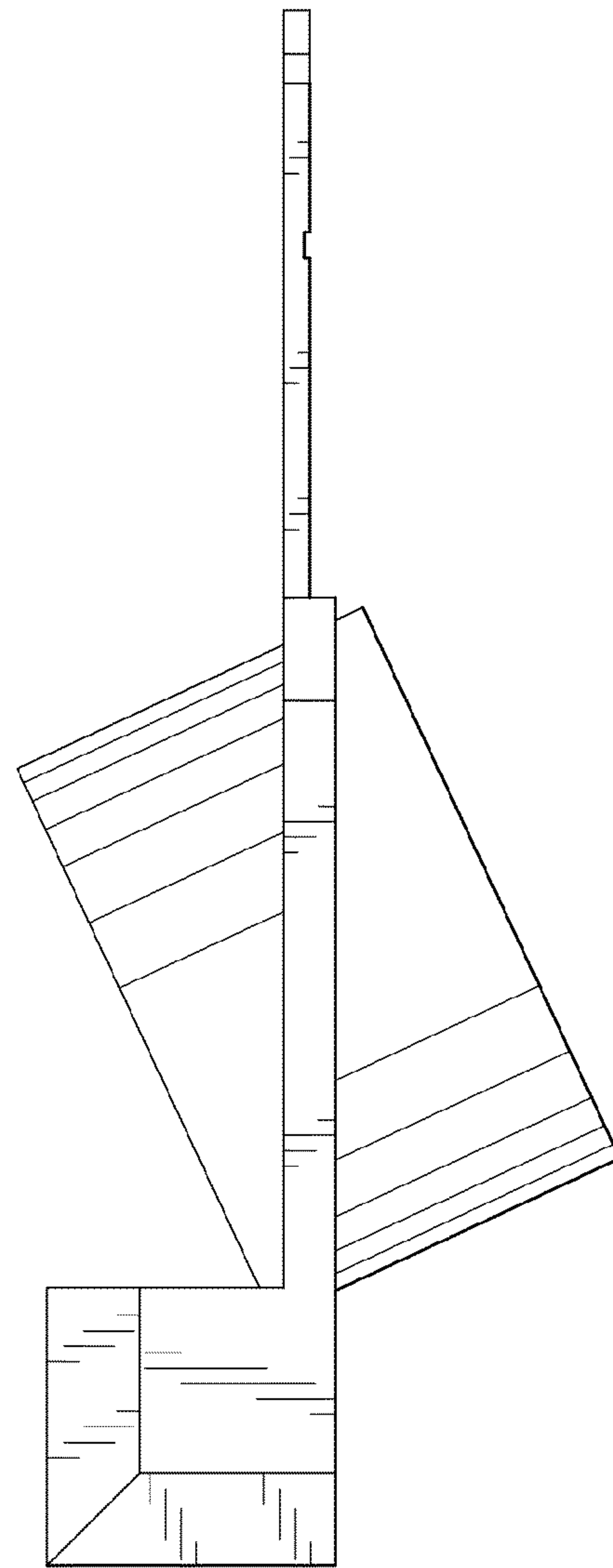


FIG. 4

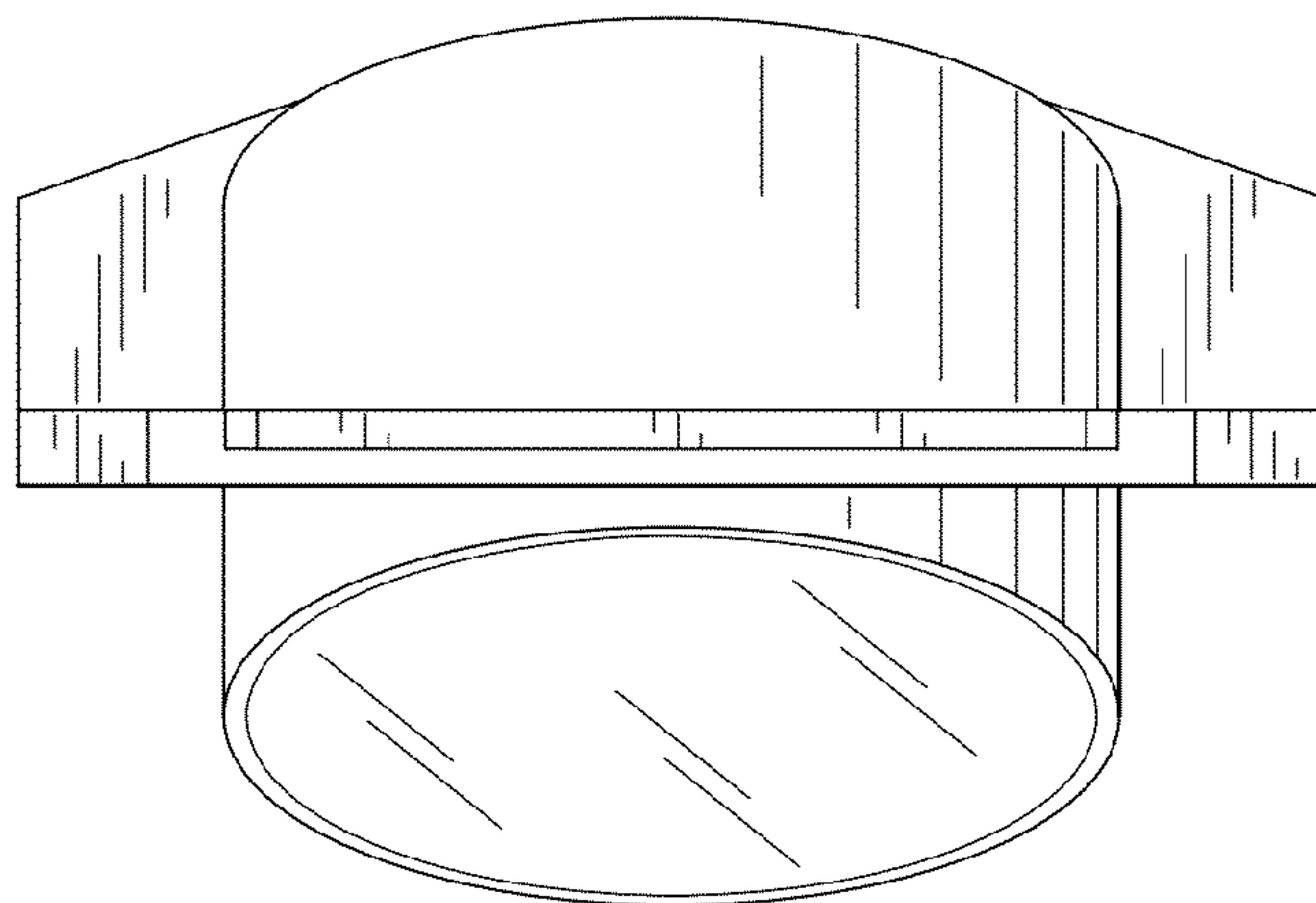


FIG. 6

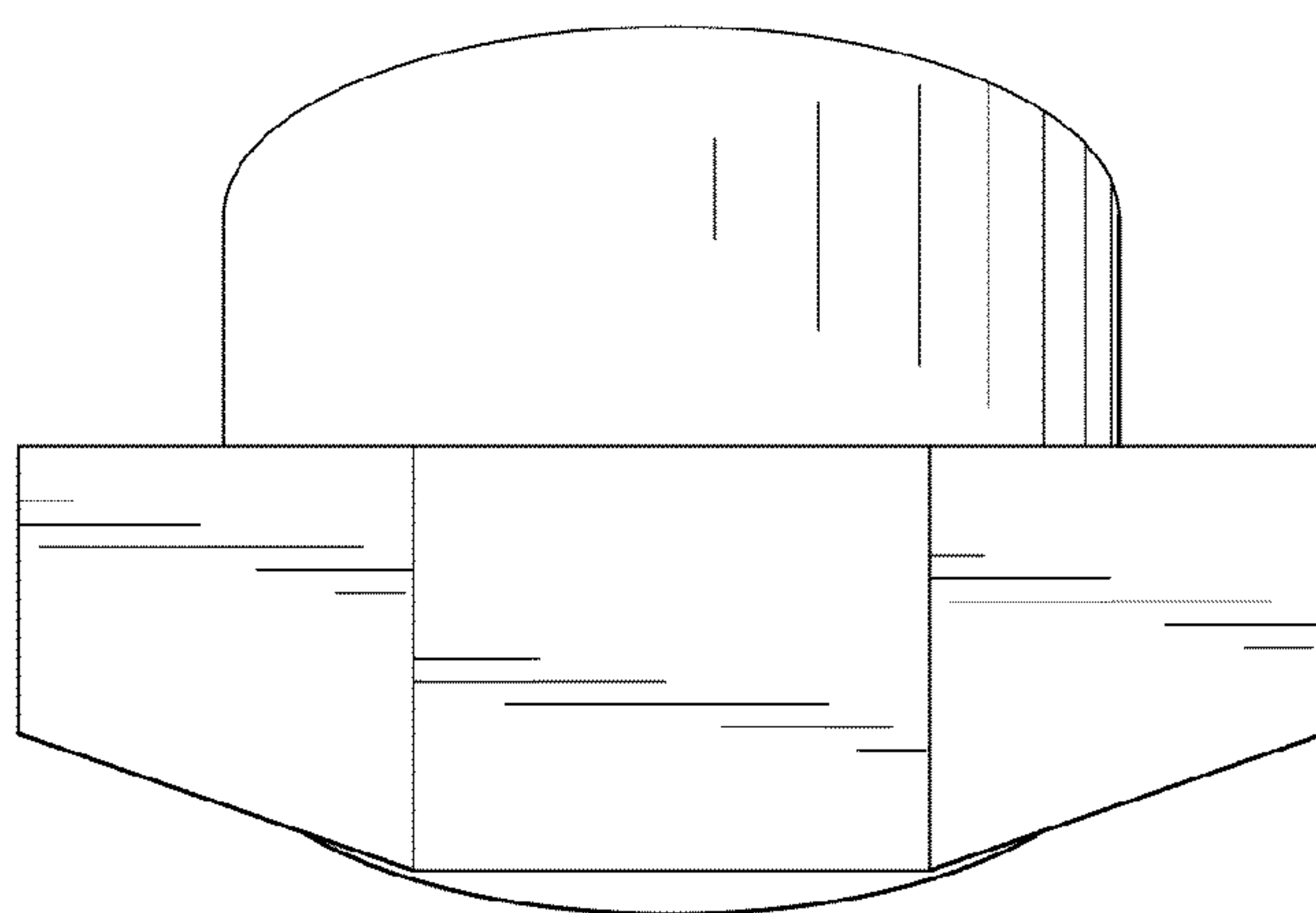


FIG. 7