



US00D714134S

(12) **United States Design Patent**
Clisset

(10) **Patent No.:** **US D714,134 S**

(45) **Date of Patent:** **** Sep. 30, 2014**

(54) **SNOW STOP**

(71) Applicant: **Steven P. Clisset**, Erie, CO (US)

(72) Inventor: **Steven P. Clisset**, Erie, CO (US)

(**) Term: **14 Years**

(21) Appl. No.: **29/441,353**

(22) Filed: **Jan. 3, 2013**

(51) **LOC (10) Cl.** **08-99**

(52) **U.S. Cl.**
USPC **D8/499**

(58) **Field of Classification Search**

CPC E04D 13/10; E04D 13/04; E04D 1/20;
E04D 2013/0486; E04D 13/0445; E04D
13/076; E04D 13/106; E04D 13/0459; E04D
2013/0468; E04G 3/26; F24J 2/524
USPC D8/400-499, 354; D25/199; 52/24-26,
52/545, 533, 98; 29/428, 897.1; 403/189,
403/232.1; D23/393; D34/35; D9/443, 456
See application file for complete search history.

(56) **References Cited**

U.S. PATENT DOCUMENTS

369,257 A * 8/1887 Martz 52/25
529,331 A * 11/1894 Lane 403/189
625,144 A * 5/1899 Clark 52/24
654,438 A * 7/1900 Clark 52/24
702,923 A * 6/1902 Clark 52/24
860,457 A * 7/1907 Frank, Jr. 52/24
1,095,822 A * 5/1914 Danzer 52/25
1,222,953 A * 4/1917 Histan 52/24
1,380,518 A * 6/1921 Bellig 403/219
D193,353 S * 8/1962 Daniield D8/499

3,296,750 A 5/1964 Zaleski
D231,430 S * 4/1974 Steinhauser D8/382
4,141,182 A * 2/1979 McMullen 52/24
4,244,609 A * 1/1981 Smitka 285/405
D277,728 S * 2/1985 Ahlund D8/400
5,165,730 A * 11/1992 McElroy 285/39
D341,074 S * 11/1993 Wagner D8/349

(Continued)

Primary Examiner — Susan Bennett Hattan

Assistant Examiner — Marie Fast Horse

(74) *Attorney, Agent, or Firm* — Neugeboren O’Dowd PC

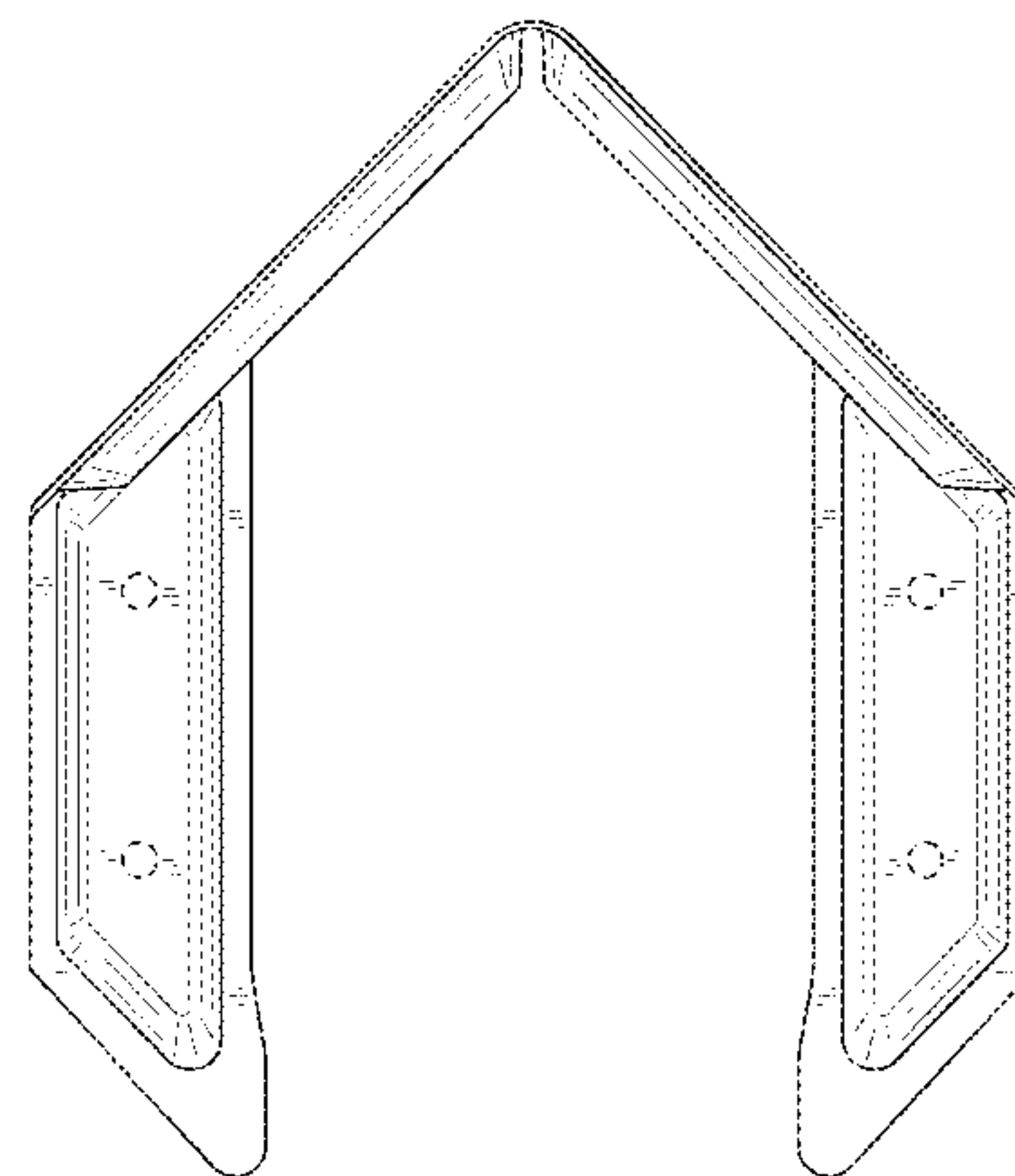
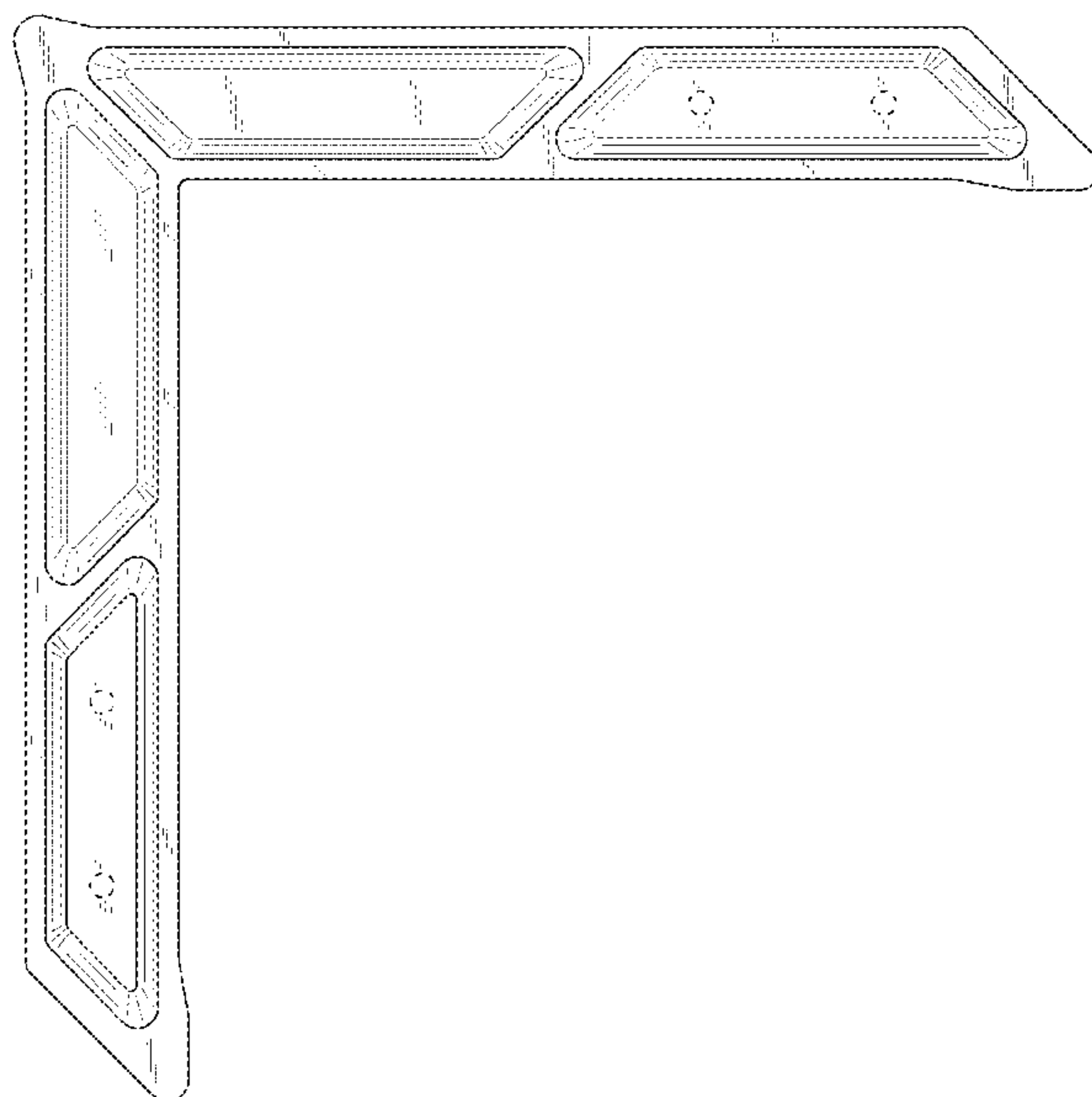
(57) **CLAIM**

The ornamental design for a snow stop, as shown and described.

DESCRIPTION

FIG. 1 is a top perspective view of a snow stop;
FIG. 2 is a top view of the snow stop in FIG. 1;
FIG. 3 is a bottom view of the snow stop in FIG. 1;
FIG. 4 is a left side view of the snow stop in FIG. 1;
FIG. 5 is a right side view of the snow stop of FIG. 1;
FIG. 6 is a back view of the snow stop in FIG. 1;
FIG. 7 is a front view of the snow stop in FIG. 1;
FIG. 8 is a top perspective view of a snow stop being folded
along three fold lines;
FIG. 9 is a top view of the snow stop in FIG. 8;
FIG. 10 is a bottom view of the snow stop in FIG. 8;
FIG. 11 is a left side view of the snow stop of FIG. 8;
FIG. 12 is a right view of the snow stop of FIG. 8;
FIG. 13 is a back view of the snow stop of FIG. 8; and,
FIG. 14 is a front view of the snow stop of FIG. 8.
The broken lines in the drawings depict environmental sub-
ject matter only and form no part of the claimed design.

1 Claim, 12 Drawing Sheets



(56)

References Cited

U.S. PATENT DOCUMENTS

5,349,791	A *	9/1994	Zaleski	52/24	D512,303	S *	12/2005	Prichard et al.	D8/499
5,371,979	A	12/1994	Kwiatkowski et al.		6,996,938	B1 *	2/2006	Mullane	52/24
D358,755	S *	5/1995	Davis	D8/354	7,127,867	B2 *	10/2006	Smeja et al.	52/745.21
D360,476	S	7/1995	Smeja et al.		7,516,576	B1	4/2009	Mullane	
D364,556	S *	11/1995	Lee et al.	D8/499	D601,414	S *	10/2009	Riley et al.	D8/499
5,564,758	A *	10/1996	Tiberio	285/405	D617,181	S *	6/2010	McMullen	D8/499
5,664,374	A	9/1997	Lee		D618,085	S *	6/2010	Lin et al.	D8/354
D385,179	S *	10/1997	Brandes	D8/403	D632,160	S *	2/2011	Ketchersid	D8/354
5,675,940	A *	10/1997	Bahar et al.	52/58	7,997,032	B2 *	8/2011	Riley et al.	52/24
5,890,324	A *	4/1999	Maanum	52/24	D658,491	S *	5/2012	Raber	D8/499
5,901,507	A	5/1999	Smeja et al.		8,172,280	B2 *	5/2012	Fischer	285/424
D414,400	S *	9/1999	Williams	D8/382	D669,163	S *	10/2012	Gass	D23/393
6,070,368	A *	6/2000	Anderson	52/24	8,652,609	B2 *	2/2014	Gass	428/80
D434,638	S *	12/2000	McLauchlan et al.	D8/354	2005/0115162	A1 *	6/2005	Nee	52/24
6,428,056	B1 *	8/2002	Issagholian-Havai	285/405	2005/0217184	A1 *	10/2005	Smeja et al.	52/24
6,510,666	B1 *	1/2003	Thompson	52/712	2005/0217187	A1 *	10/2005	Pace	52/101
D499,331	S	12/2004	Dressler		2006/0010786	A1	1/2006	Rogers	
6,922,948	B2 *	8/2005	Smeja et al.	52/24	2006/0075691	A1 *	4/2006	Verkamp	52/24
					2009/0205262	A1 *	8/2009	Andrew	52/26
					2010/0000161	A1 *	1/2010	Fisher	52/26
					2013/0167453	A1 *	7/2013	Clisset	52/26

* cited by examiner

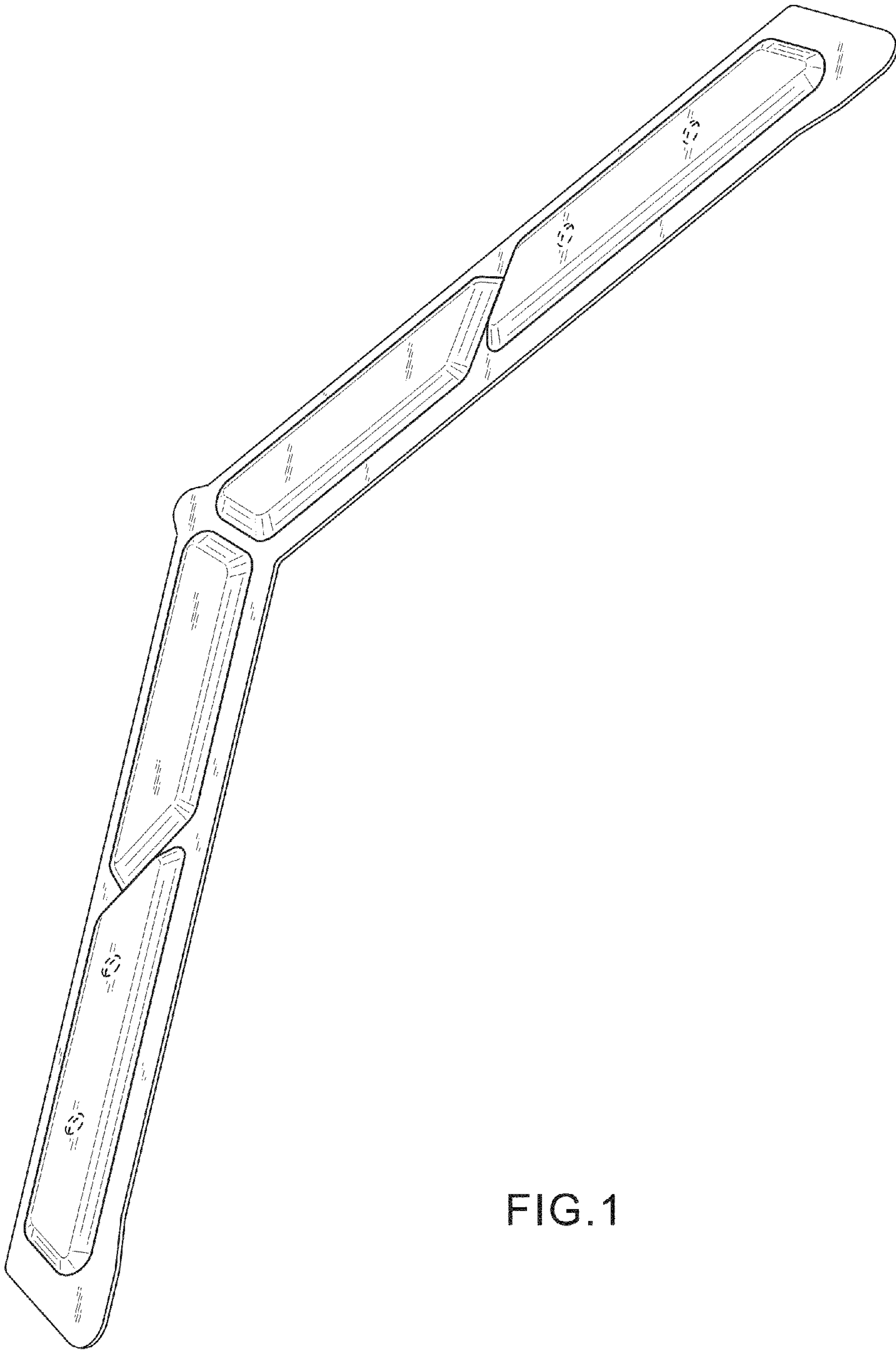


FIG. 1

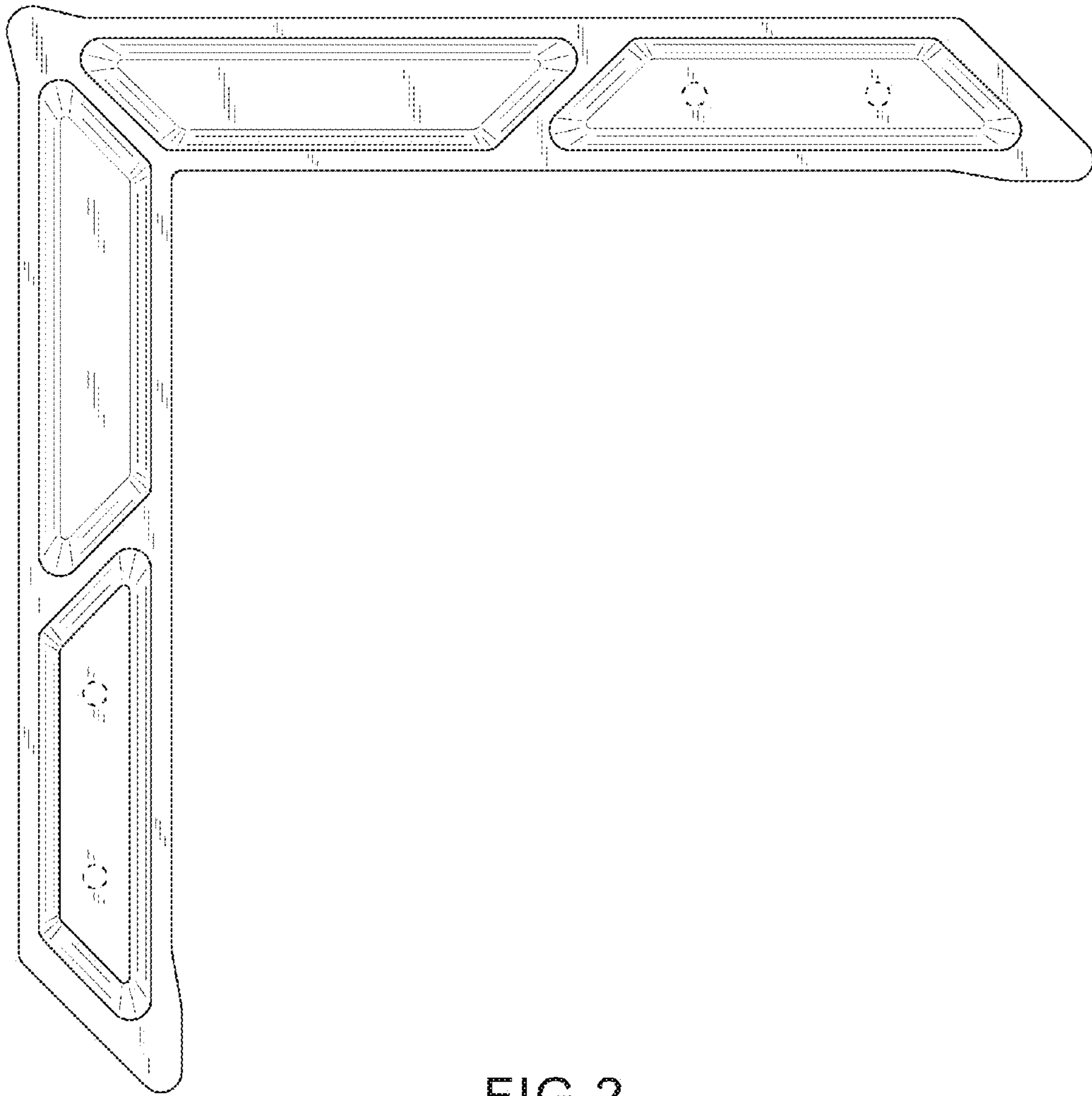


FIG.2

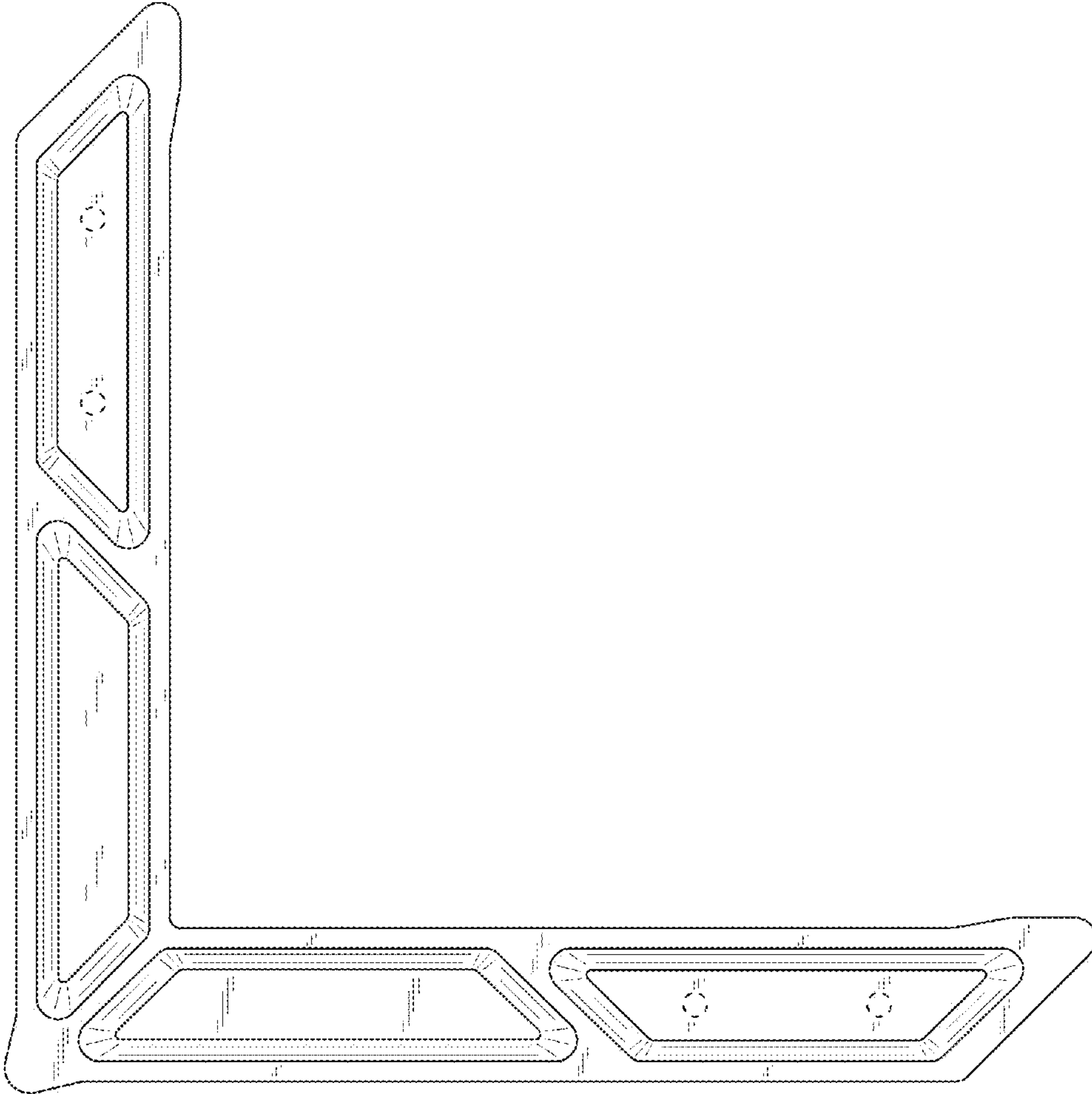


FIG.3



FIG. 4



FIG. 5

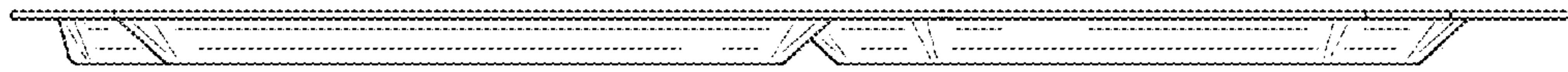


FIG. 6



FIG. 7

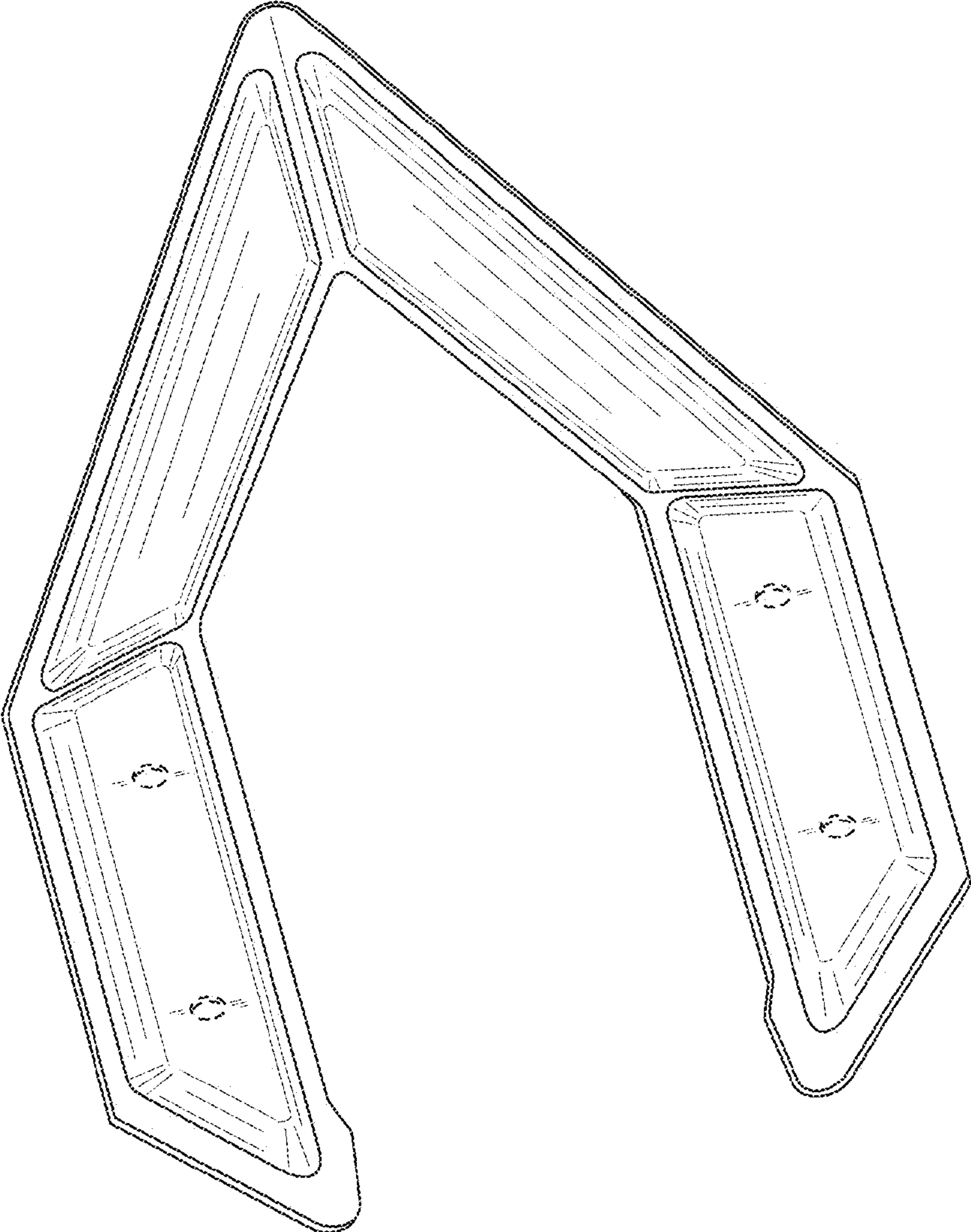


FIG.8

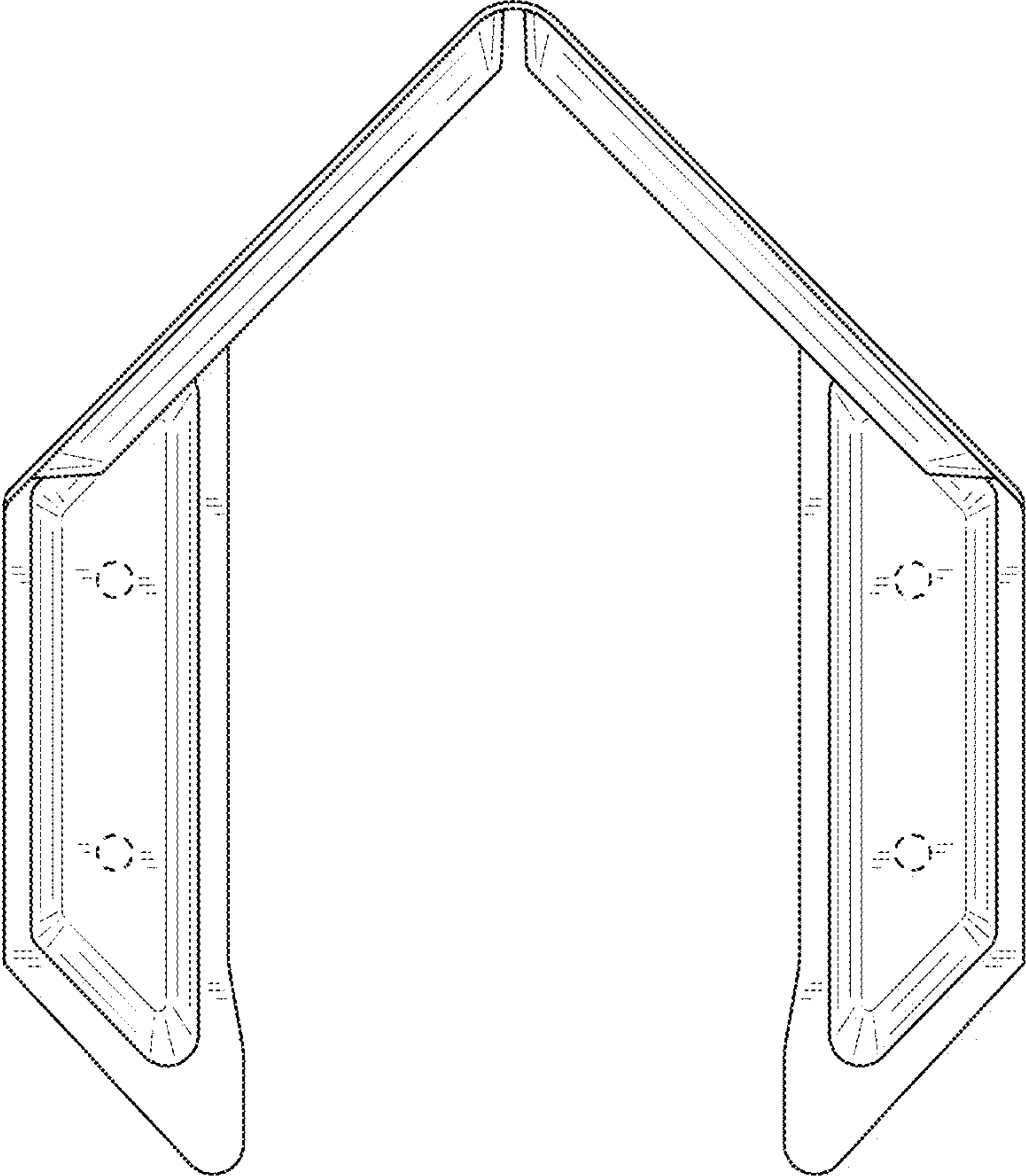


FIG.9

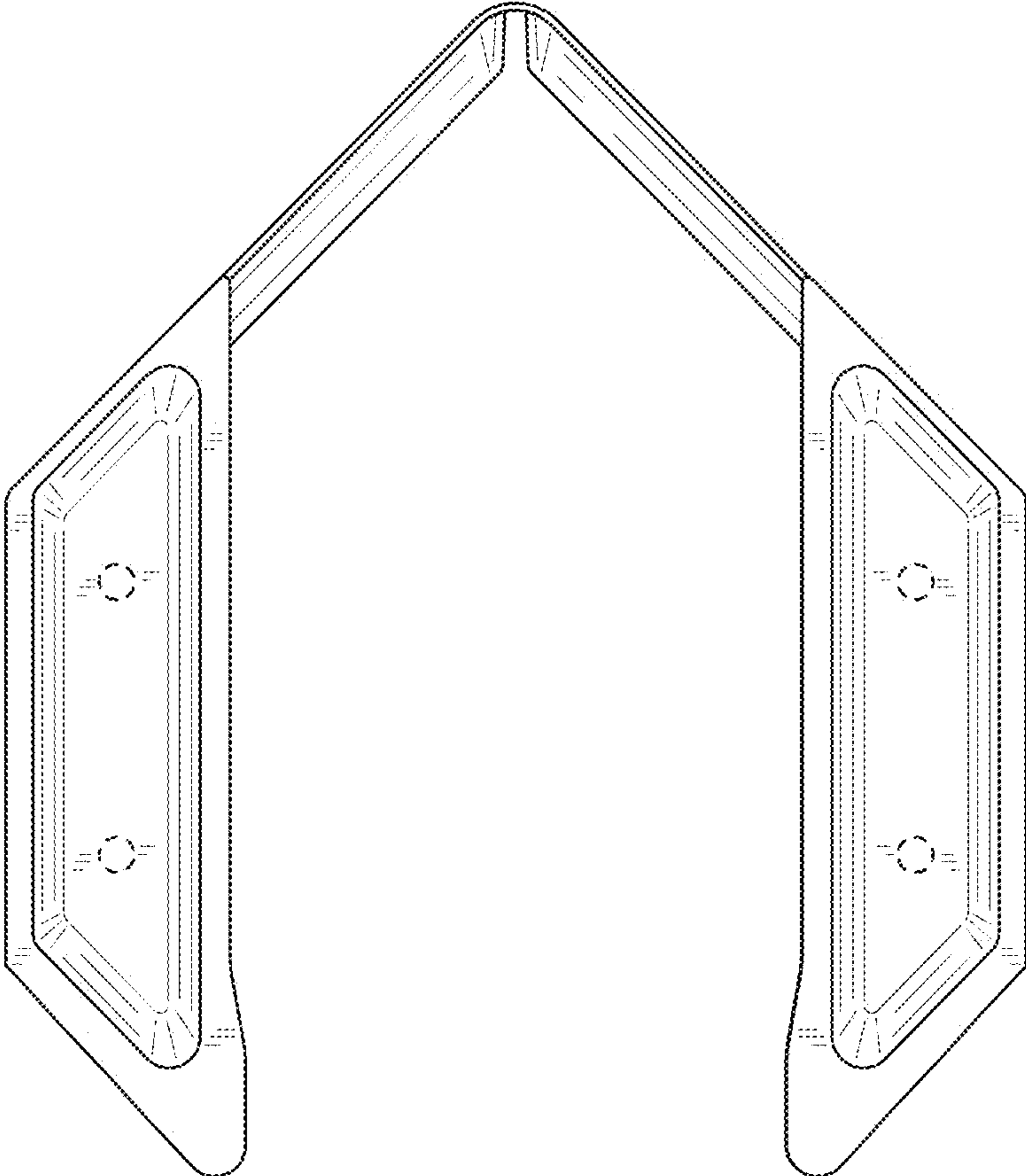


FIG.10

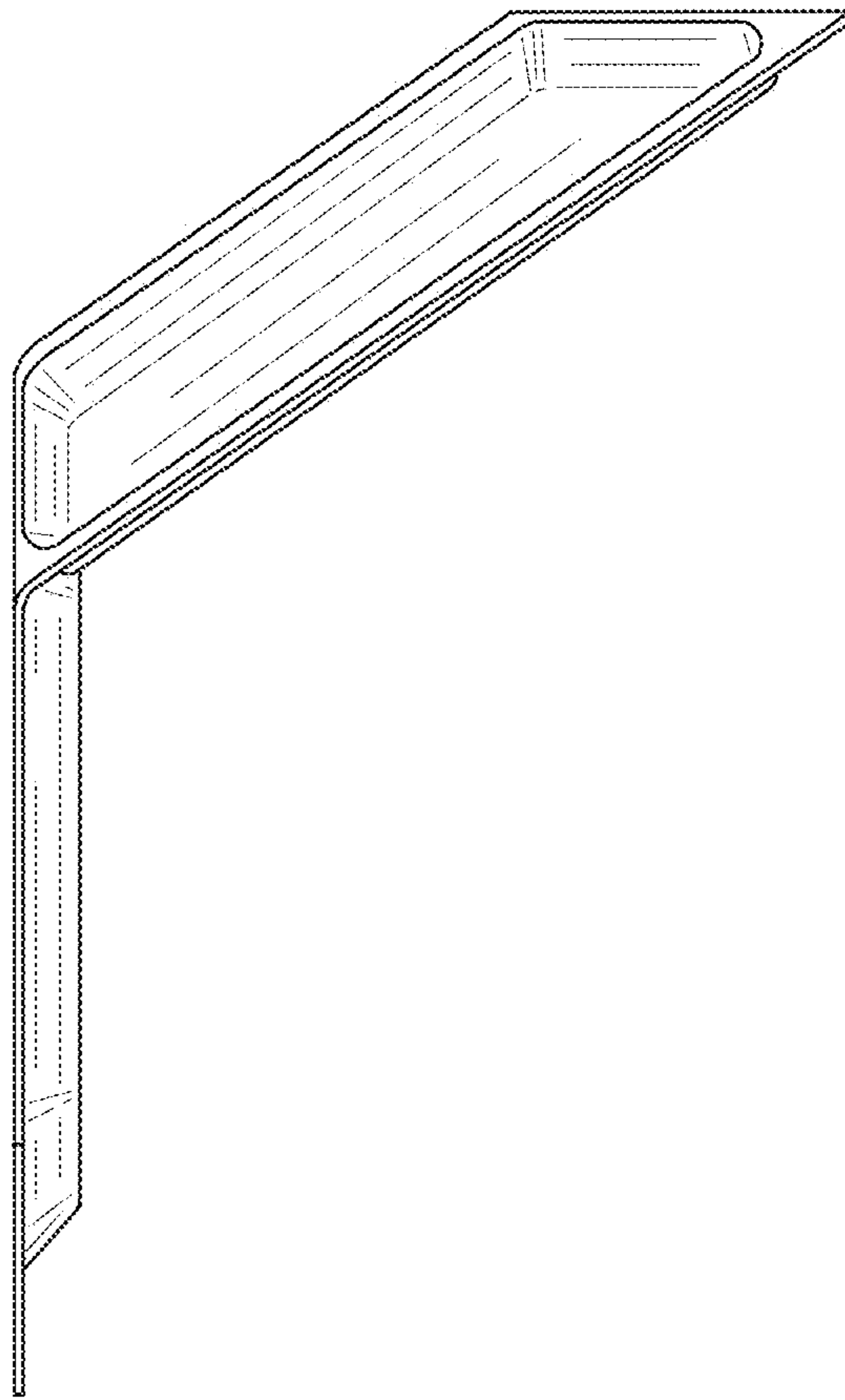


FIG.11

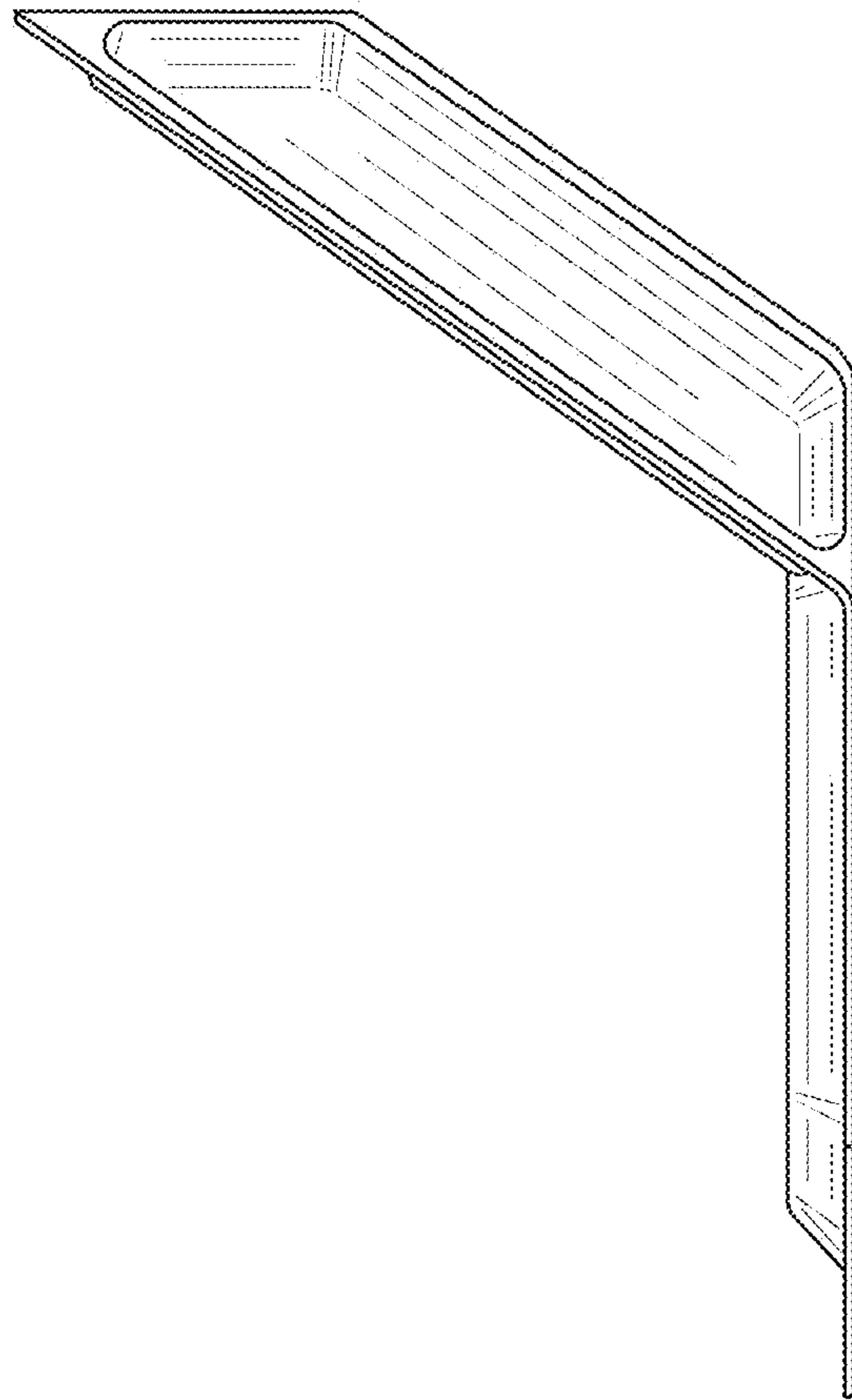


FIG. 12

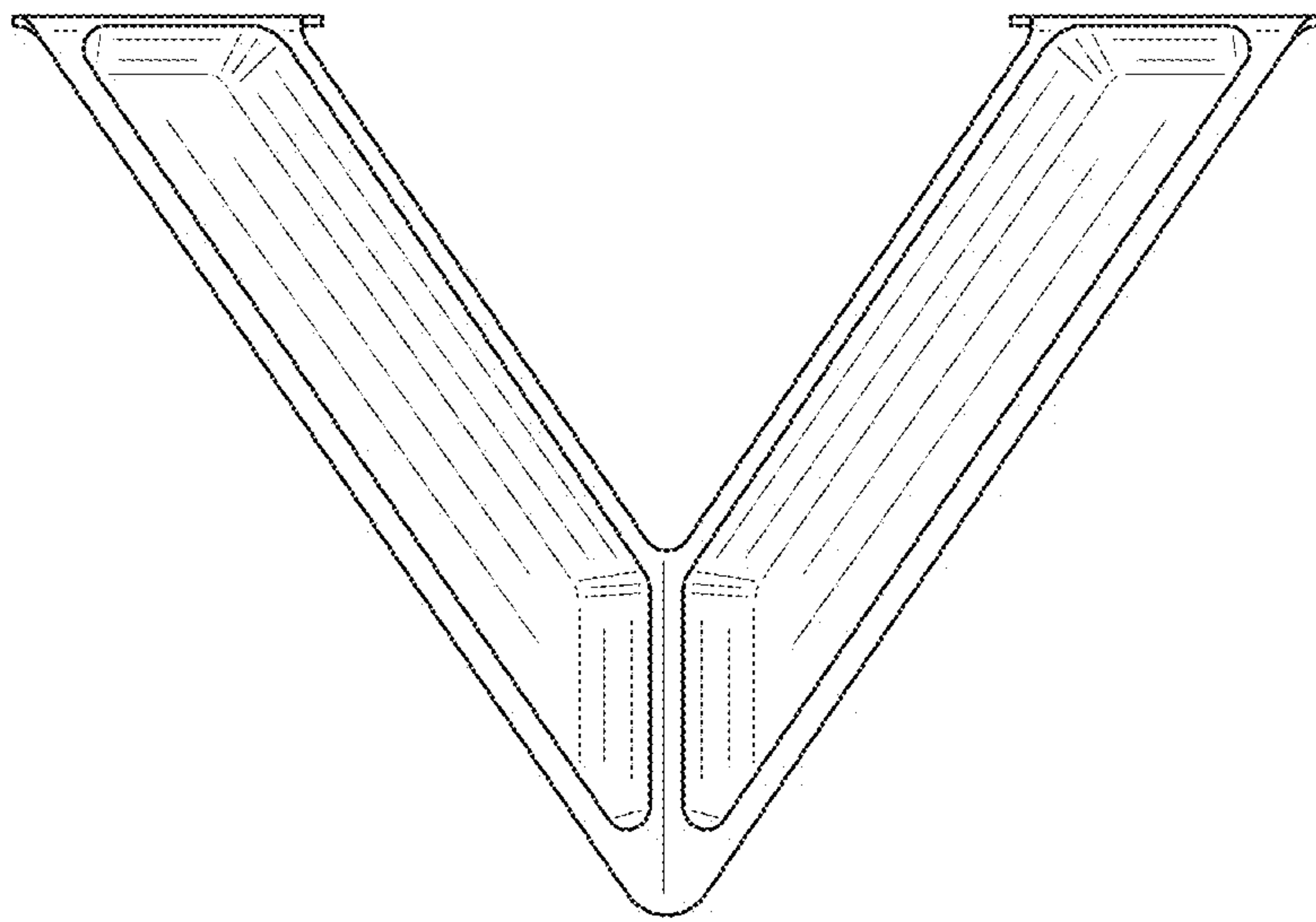


FIG.13

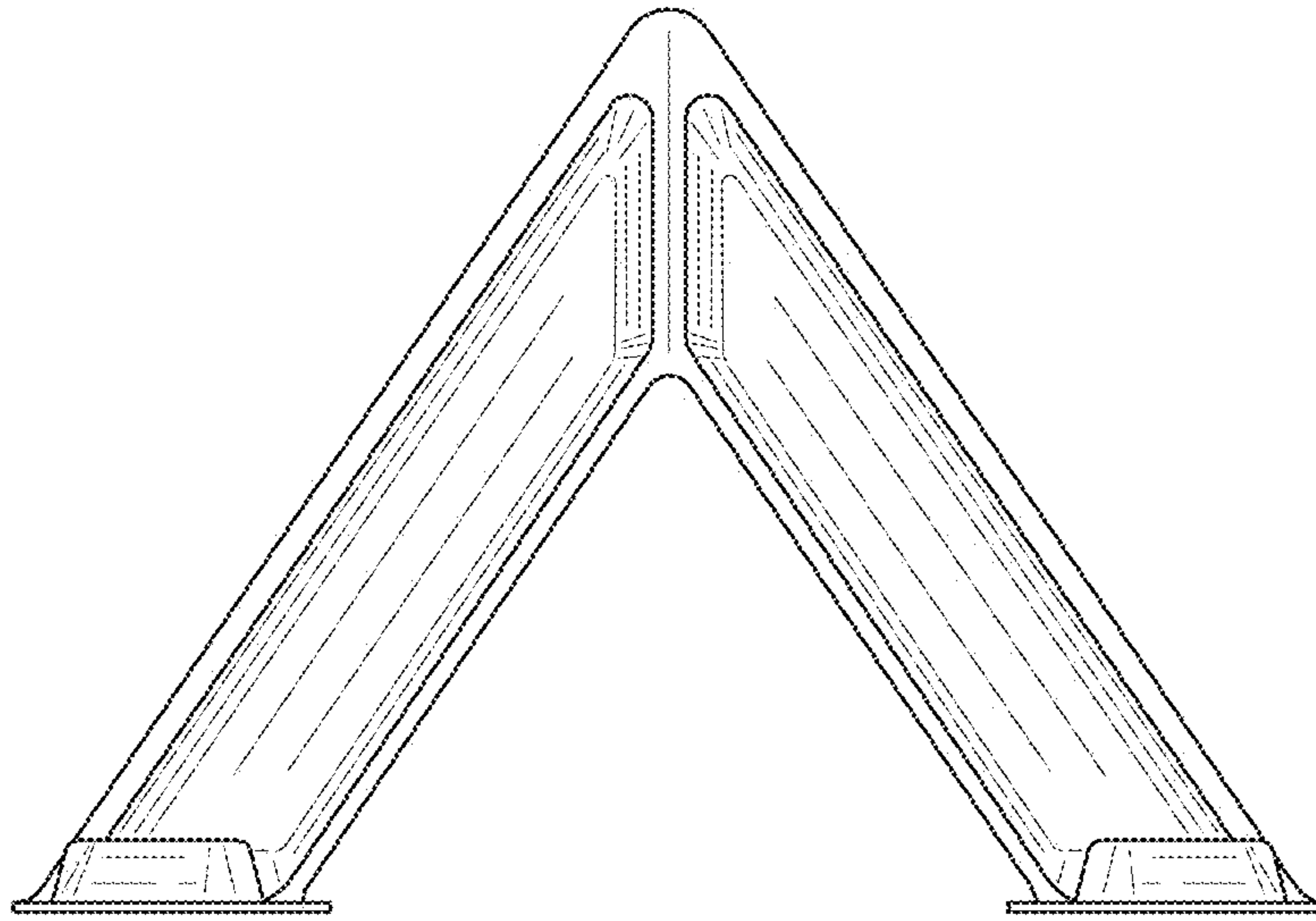


FIG.14