



US00D714132S

(12) **United States Design Patent**
Hazantonis

(10) **Patent No.:** **US D714,132 S**

(45) **Date of Patent:** **** Sep. 30, 2014**

(54) **POLE ADAPTER**

(71) Applicant: **Linzer Products Corp.**, West Babylon,
NY (US)

(72) Inventor: **Anthony Hazantonis**, Douglaston, NY
(US)

(73) Assignee: **Linzer Products Corp.**, West Babylon,
NY (US)

(**) Term: **14 Years**

(21) Appl. No.: **29/435,320**

(22) Filed: **Oct. 23, 2012**

(51) **LOC (10) Cl.** **08-08**

(52) **U.S. Cl.**
USPC **D8/382**

(58) **Field of Classification Search**
USPC D8/382, 349, 354, 107, 388, 391;
D4/138, 199; 248/200, 300, 295
See application file for complete search history.

(56) **References Cited**

U.S. PATENT DOCUMENTS

2,369,629	A *	2/1945	Wood et al.	138/139
D179,976	S *	4/1957	Le Fevre	D4/138
2,831,948	A *	4/1958	Fraser	200/295
2,969,996	A *	1/1961	White, Jr.	403/274
5,070,597	A *	12/1991	Holt et al.	29/887
D324,645	S *	3/1992	Magro et al.	D8/380

D458,332	S *	6/2002	Thomas	D21/789
6,474,858	B1 *	11/2002	Liao	362/551
D545,066	S *	6/2007	Bustos	D4/199
D546,665	S *	7/2007	Medlin	D8/382
D579,990	S *	11/2008	Dalcourt	D21/680
D611,013	S *	3/2010	Takahashi	D13/182
D635,450	S *	4/2011	Deese	D8/382
D636,254	S *	4/2011	Chen	D8/382
D681,992	S *	5/2013	Ng	D6/580
8,499,908	B2 *	8/2013	Barker et al.	188/381

* cited by examiner

Primary Examiner — Sheryl Lane

(74) *Attorney, Agent, or Firm* — Donald J. Ranft; Collen IP

(57) **CLAIM**

The ornamental design for a pole adapter, as shown and described.

DESCRIPTION

FIG. 1 is a front view of a pole adapter showing our new design;

FIG. 2 is a side view thereof;

FIG. 3 is a bottom view thereof;

FIG. 4 is a top view thereof;

FIG. 5 is a cross sectional view, taken along line 5-5 in FIG. 4, of a pole with brush attachment thereof;

FIG. 6 is a cross sectional view, taken along line 5-5, in FIG. 4, of a pole prior to full insertion thereof; and,

FIG. 7 is a perspective view of adapter thereof.

The broken lines represent environment and form no part of the claimed design.

1 Claim, 3 Drawing Sheets

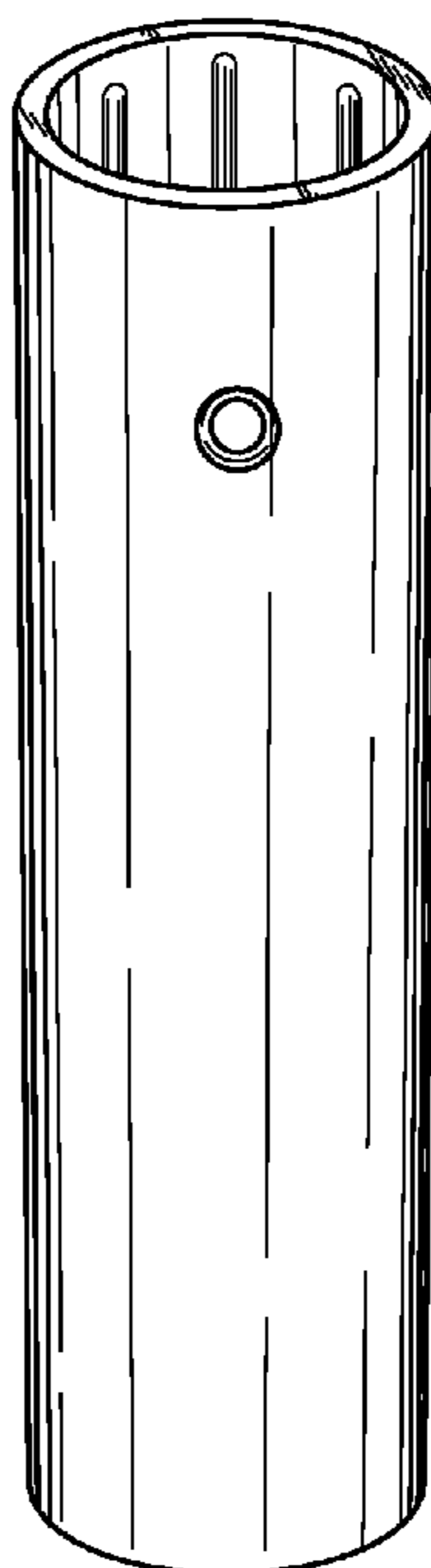


Fig. 1

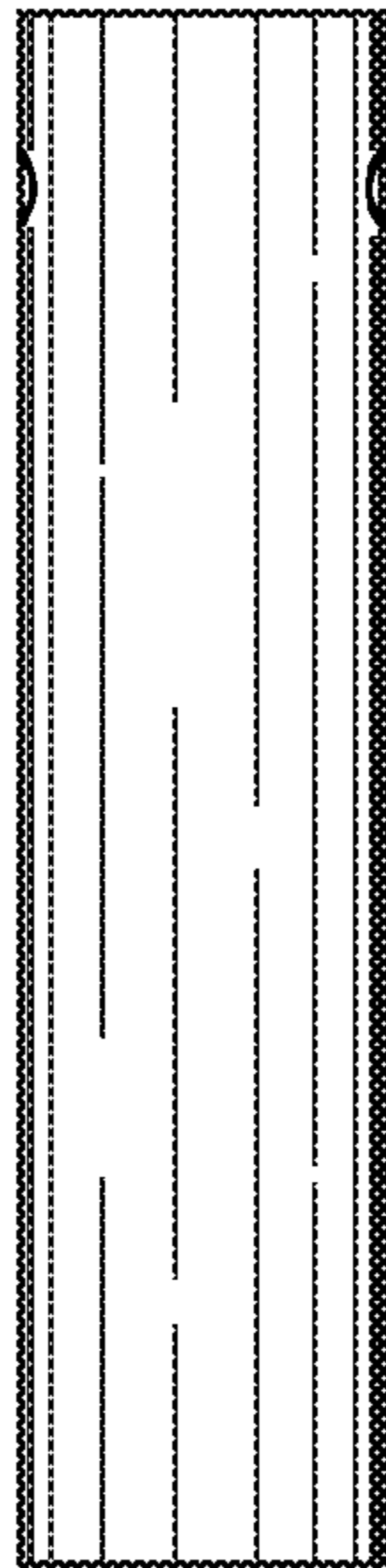


Fig. 2

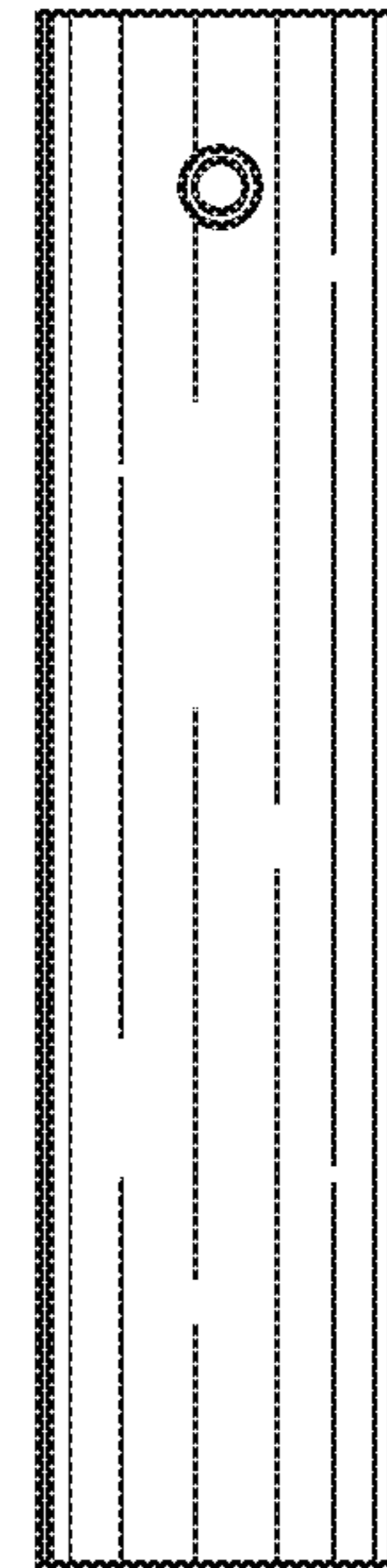


Fig. 3

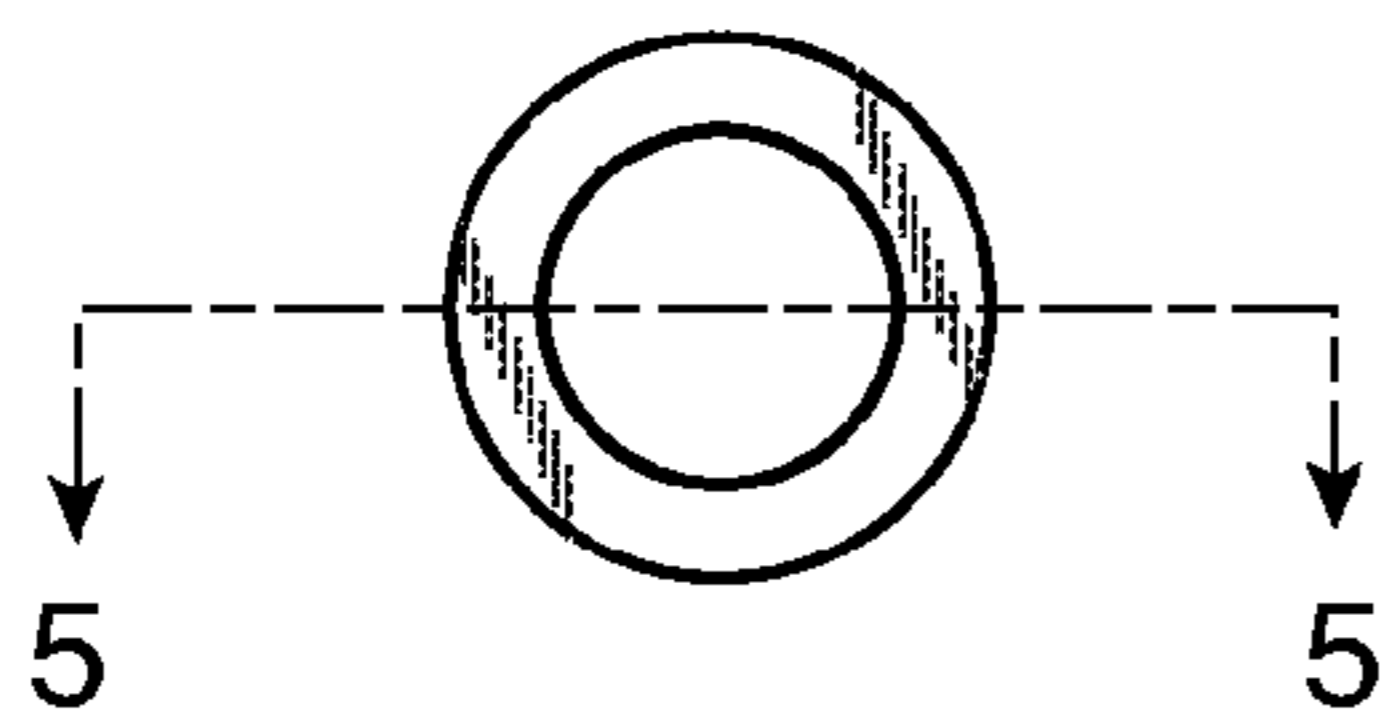
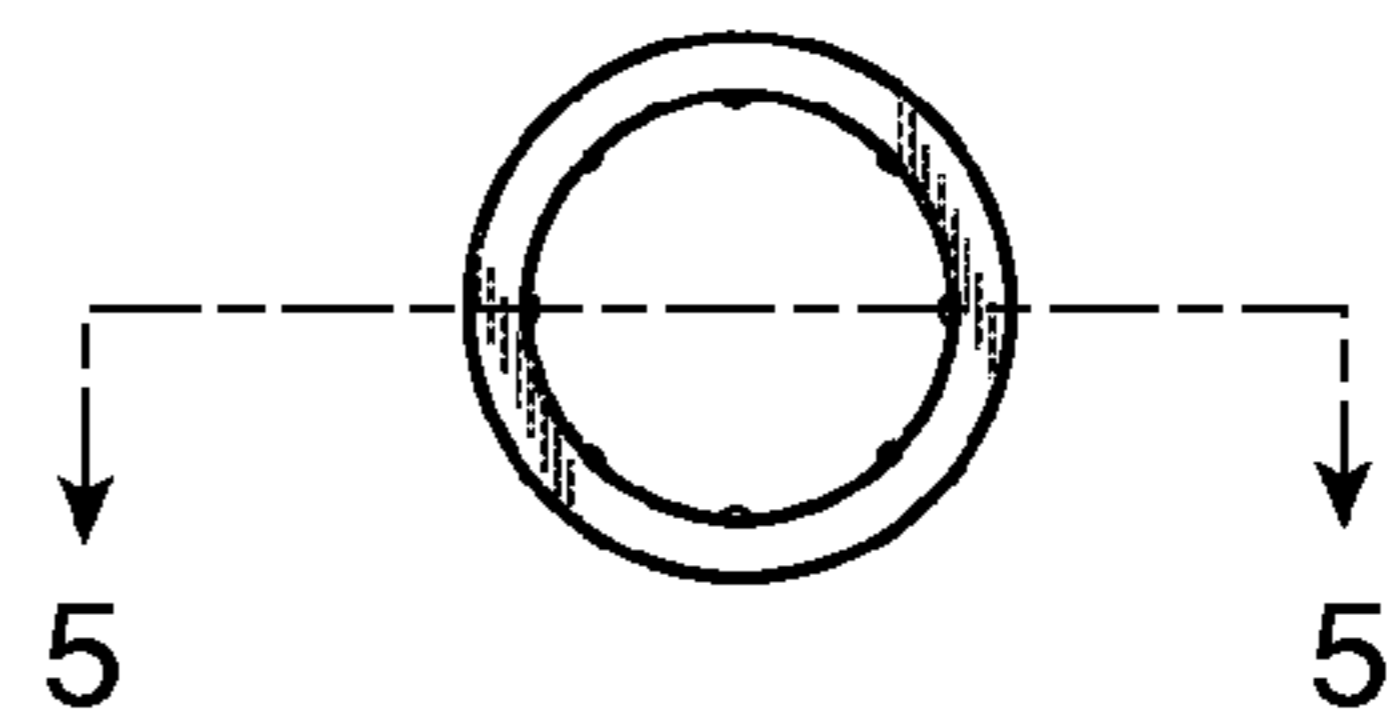


Fig. 4



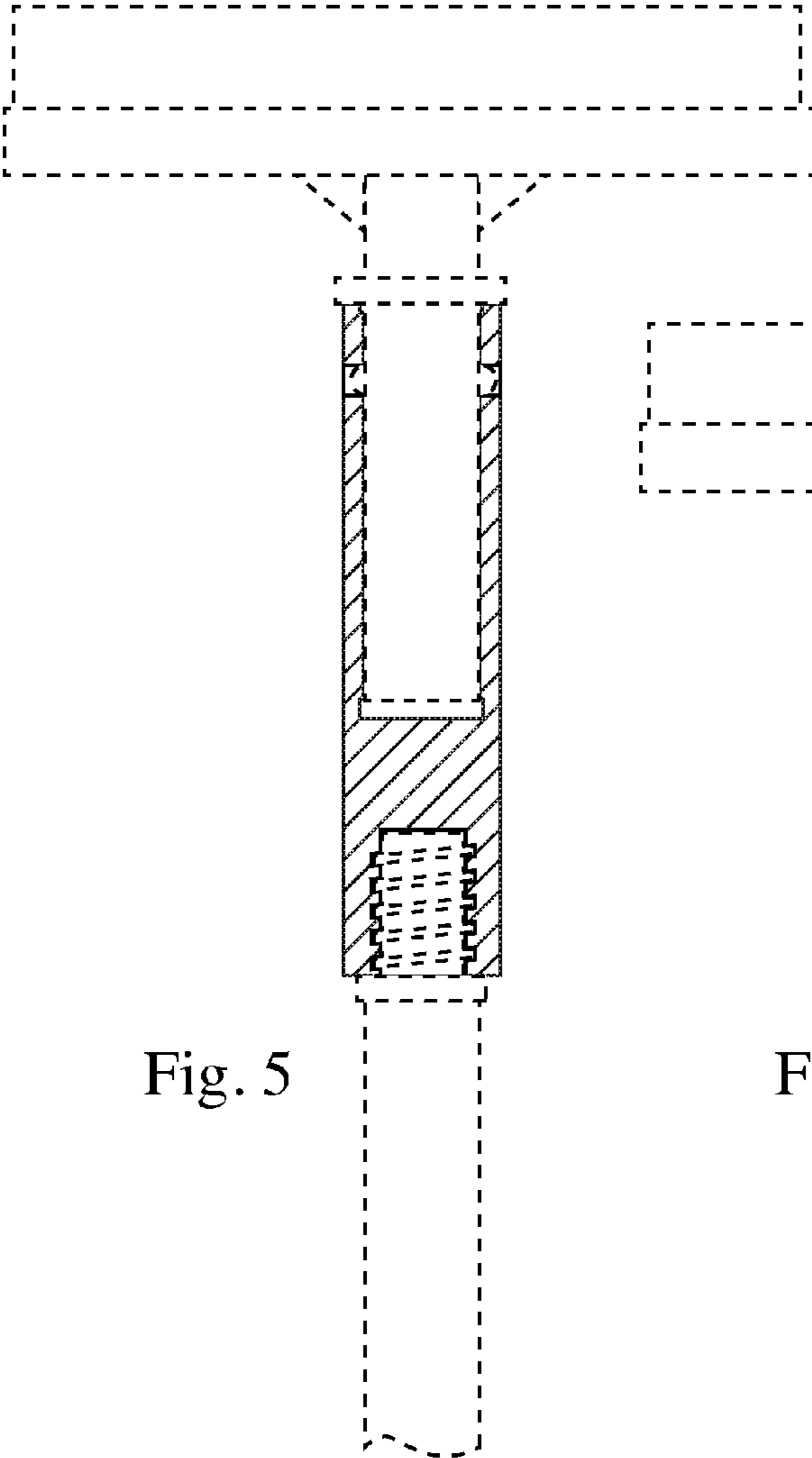


Fig. 5

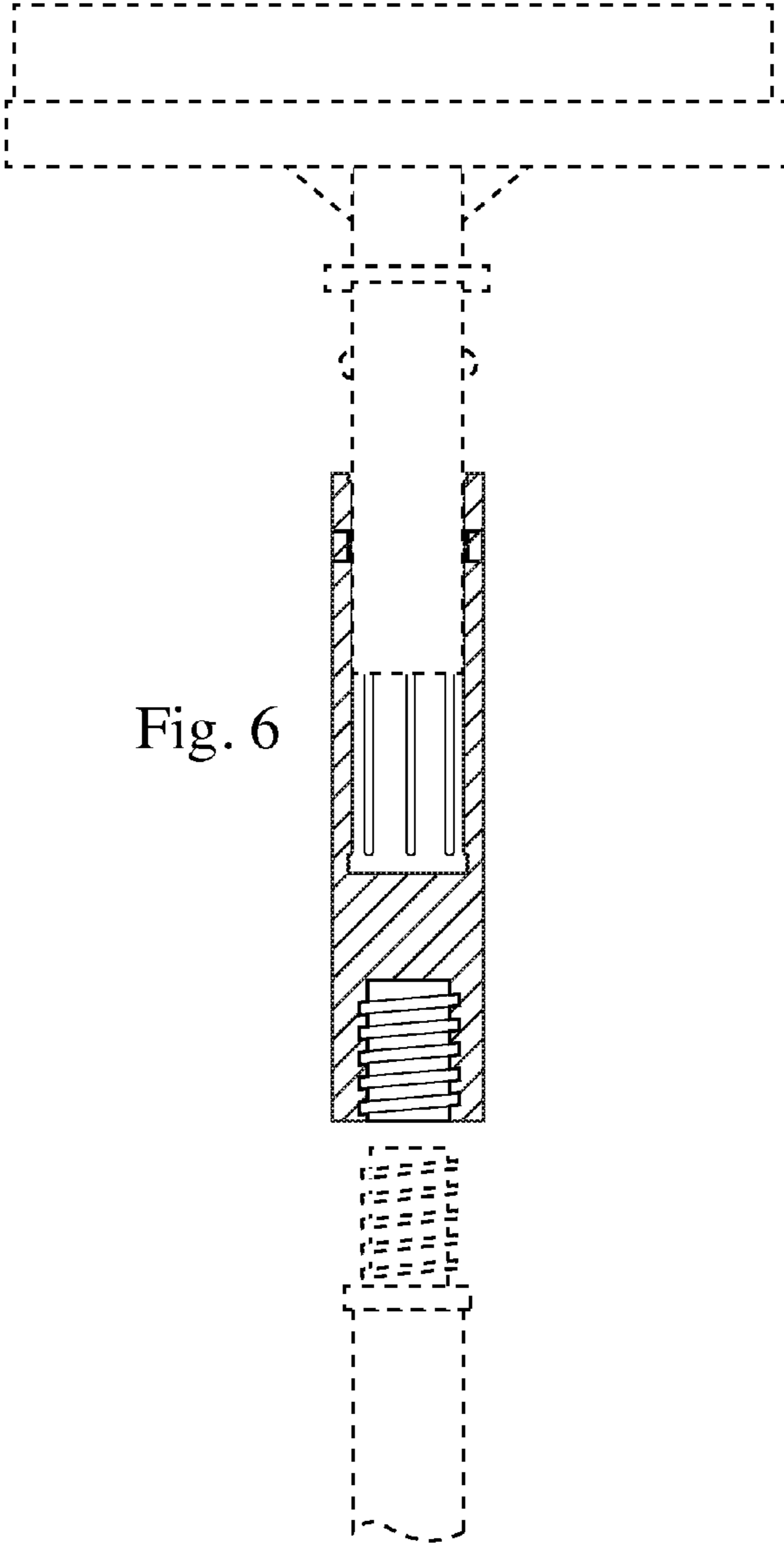


Fig. 6

Fig. 7

