



US00D714130S

(12) **United States Design Patent**
Kao et al.

(10) **Patent No.:** **US D714,130 S**

(45) **Date of Patent:** **** Sep. 30, 2014**

(54) **SLIDING CARRIAGE FOR PLEATED CURTAIN**

D256,987 S * 9/1980 Miki D8/367
D256,988 S * 9/1980 Miki D8/367
6,189,182 B1 * 2/2001 Ko 16/87.6 R
D581,770 S * 12/2008 Choi D8/356
D699,546 S * 2/2014 McGrath D8/354

(71) Applicants: **Uni-Soleil Ent. Co., Ltd.**, Tainan (TW);
Joe Dewayne Wicker, Memphis, TN
(US)

* cited by examiner

(72) Inventors: **Yu-Ting Kao**, Tainan (TW); **Joe Dewayne Wicker**, Memphis, TN (US)

Primary Examiner — Deanna L Pratt

Assistant Examiner — Ieisha Price

(73) Assignees: **Uni-Soleil Ent. Co., Ltd.**, Tainan (TW);
Joe DeWayne Wicker, Memphis, TN
(US)

(74) *Attorney, Agent, or Firm* — Rosenberg, Klein & Lee

(**) Term: **14 Years**

(57) **CLAIM**

The ornamental design for a sliding carriage for pleated curtain, as shown and described.

(21) Appl. No.: **29/450,766**

(22) Filed: **Mar. 22, 2013**

(51) **LOC (10) Cl.** **08-05**

(52) **U.S. Cl.**

USPC **D8/377**

(58) **Field of Classification Search**

CPC A47H 3/00; A47H 3/02; A47H 3/10;
A47H 5/00; A47H 5/02; A47H 5/032; A47H
11/00; A47H 11/02; A47H 11/06; A47H
15/00; A47H 15/02; A47H 15/04
USPC D8/349, 354, 356, 359, 360, 377, 373,
D8/374, 380; 16/87 R, 93 R, 96 R, 96 D
See application file for complete search history.

DESCRIPTION

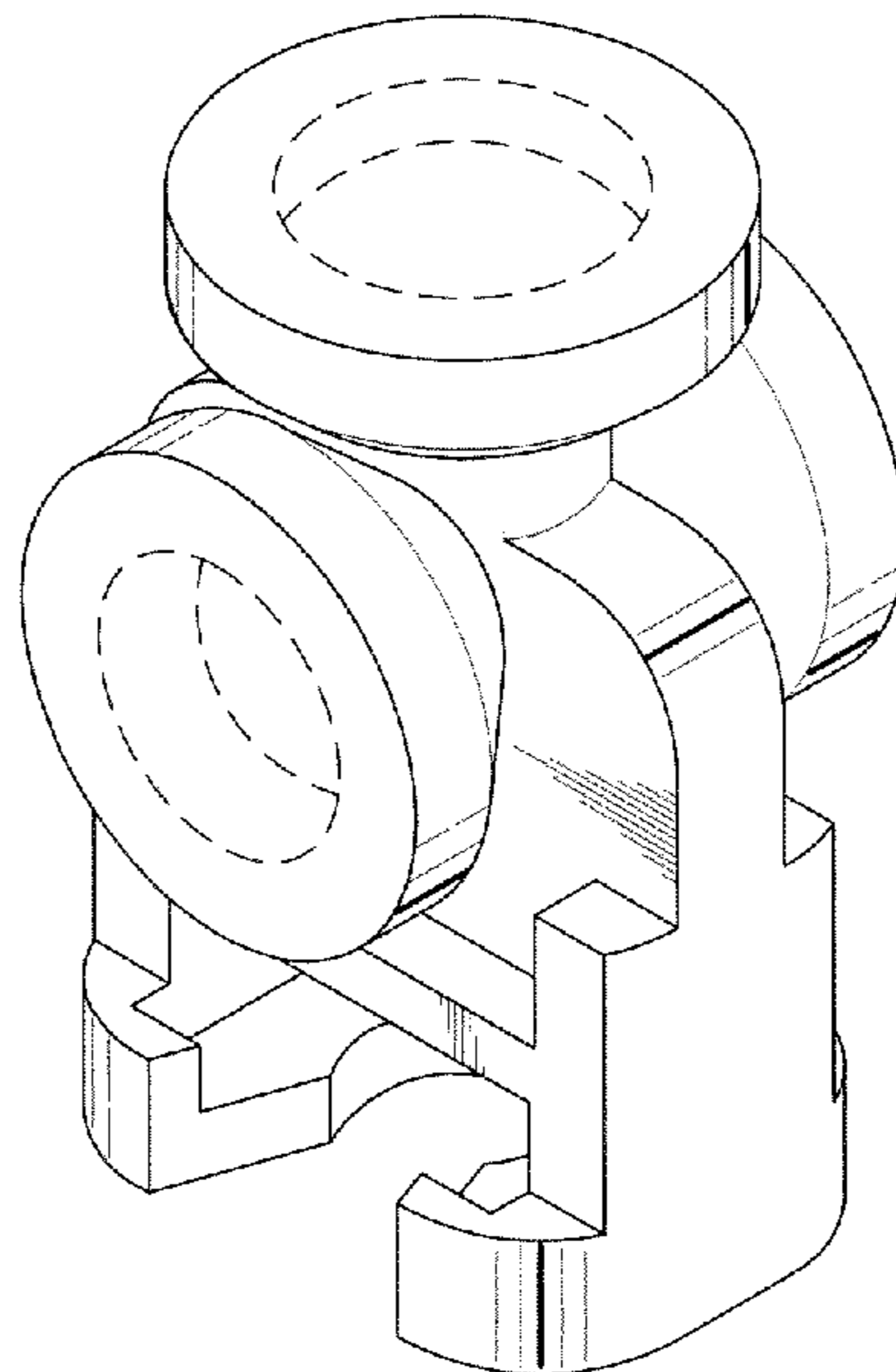
FIG. 1 is a perspective view of a sliding carriage for pleated curtain my new design;
FIG. 2 is a front elevational view thereof;
FIG. 3 is a rear elevational view thereof;
FIG. 4 is a left side elevational view thereof;
FIG. 5 is a right side elevational view thereof;
FIG. 6 is a top plan view thereof;
FIG. 7 is a bottom plan view thereof; and,
FIG. 8 is a second perspective view thereof.
The broken lines in the drawings illustrate portions of the sliding carriage for pleated curtain which form no part of the claimed design.

(56) **References Cited**

U.S. PATENT DOCUMENTS

3,585,674 A * 6/1971 Golden 6/87.6 R

1 Claim, 8 Drawing Sheets



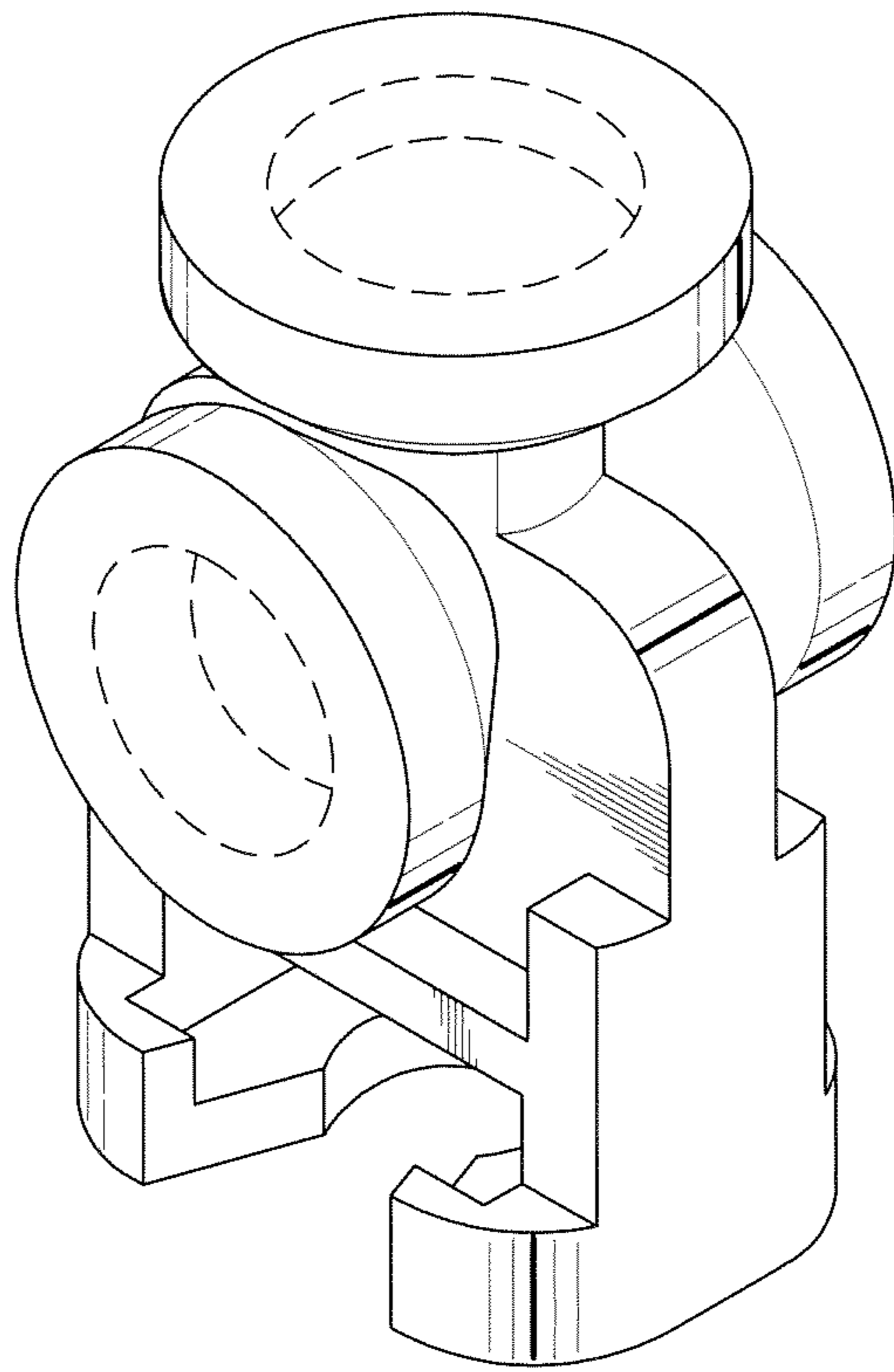


FIG. 1

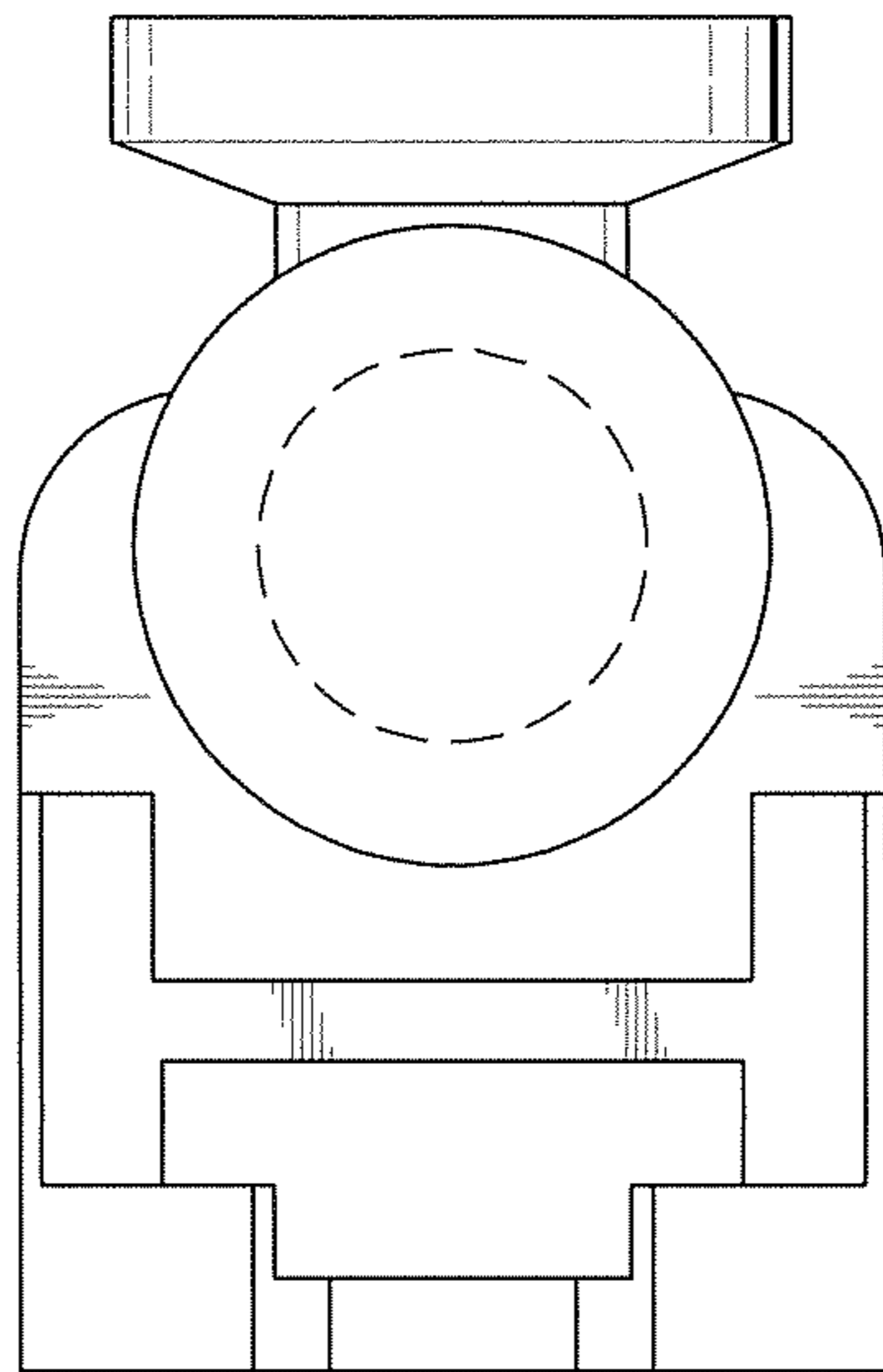


FIG. 2

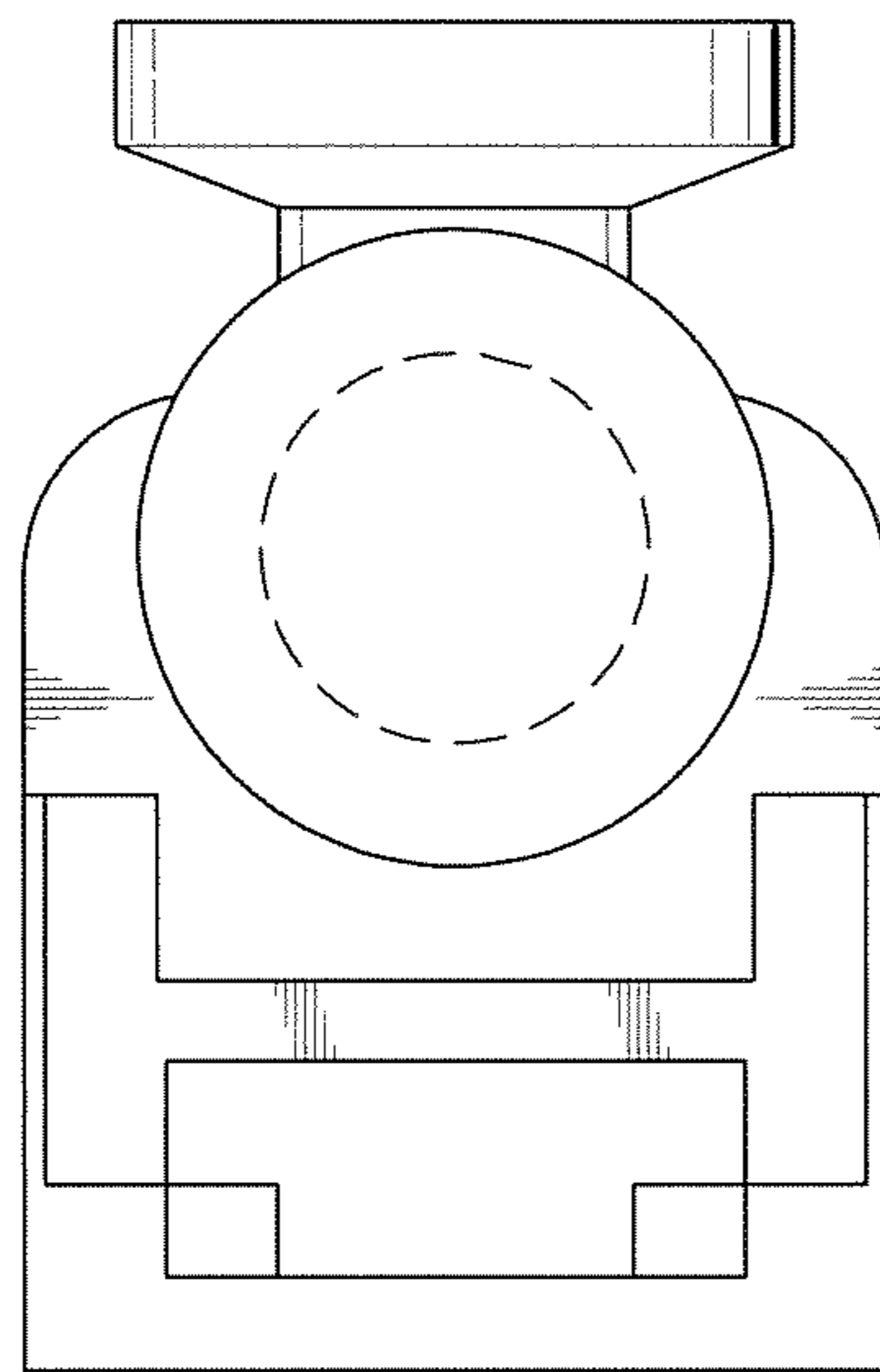


FIG. 3

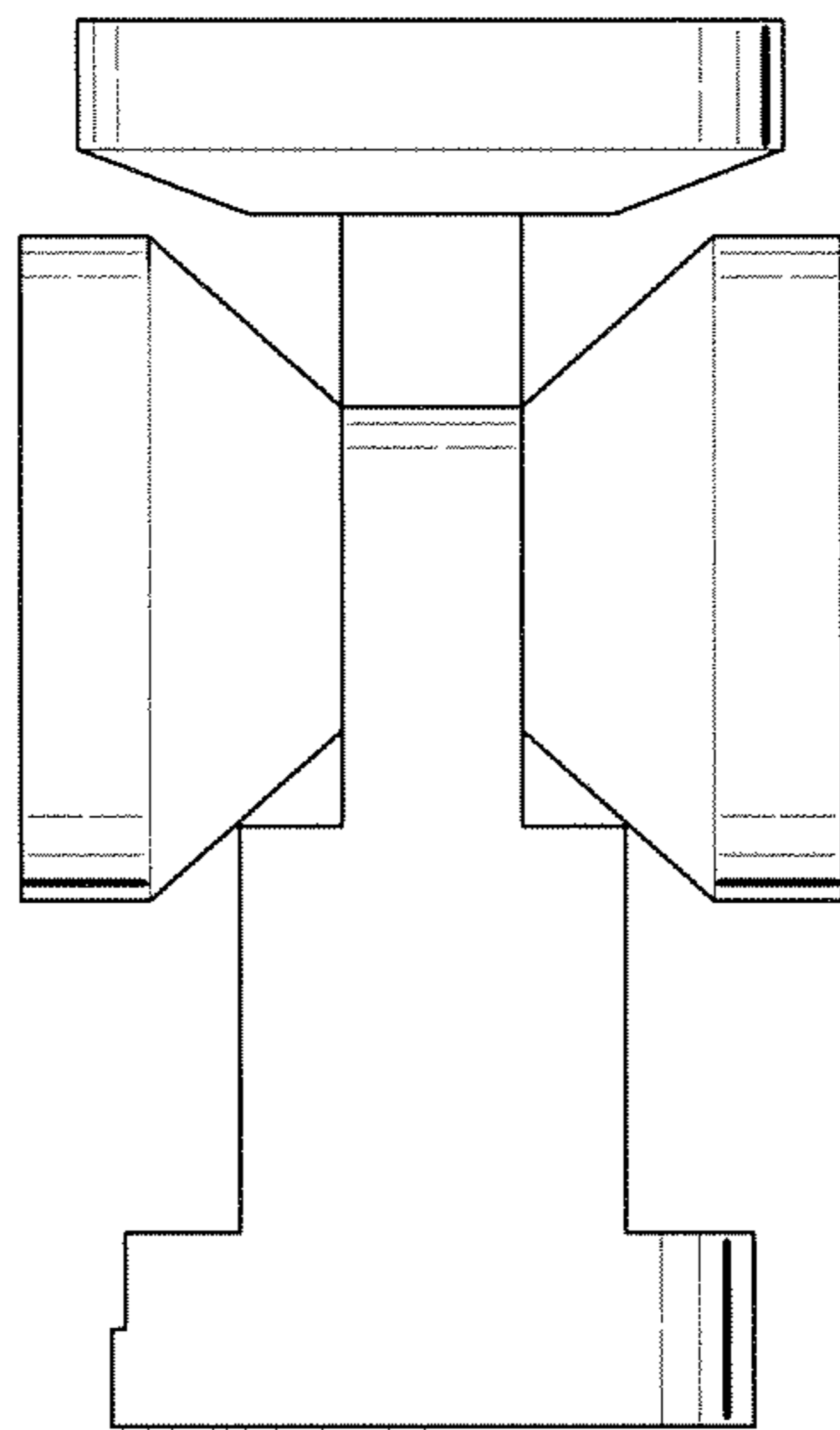


FIG. 4

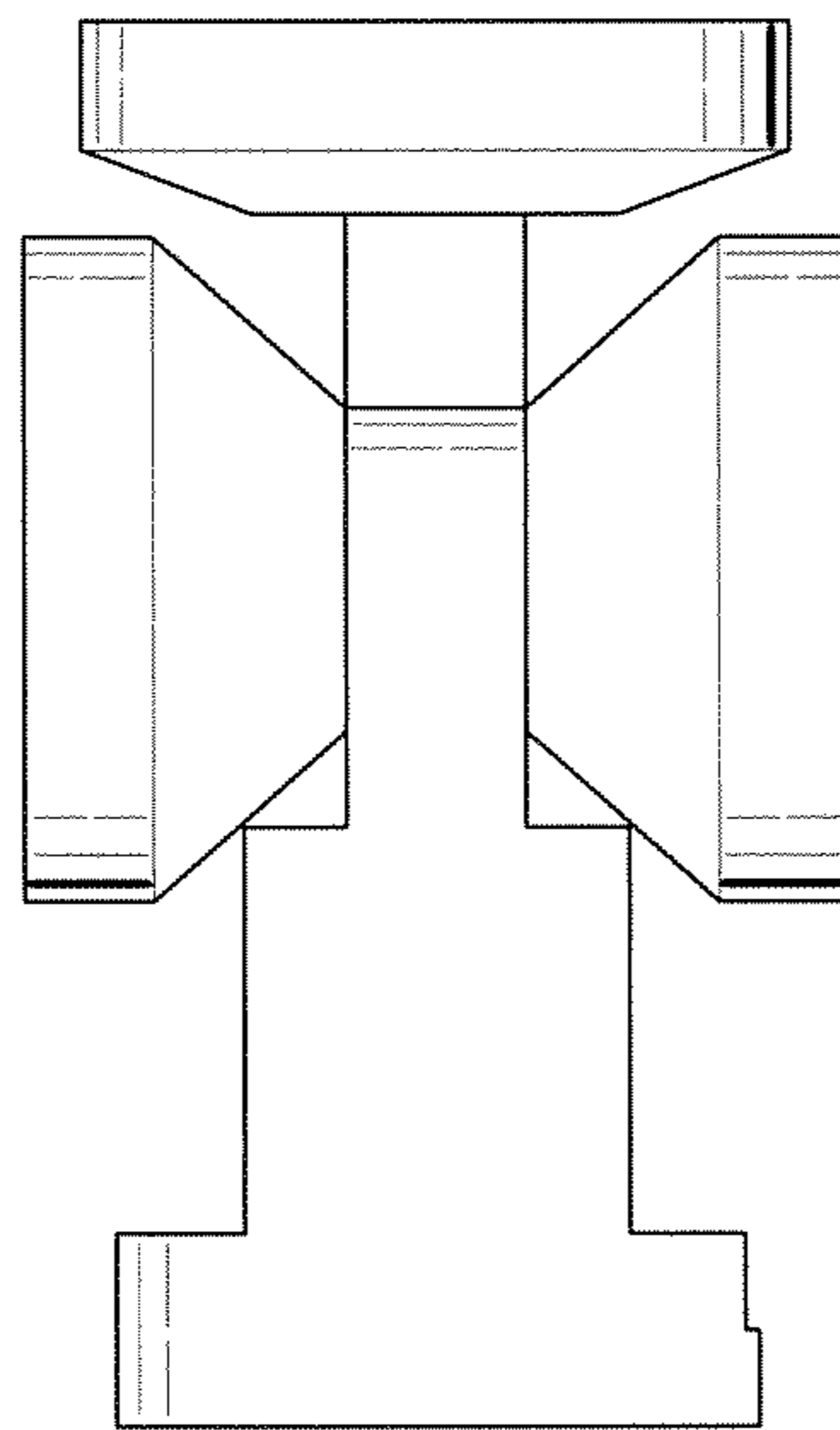


FIG. 5

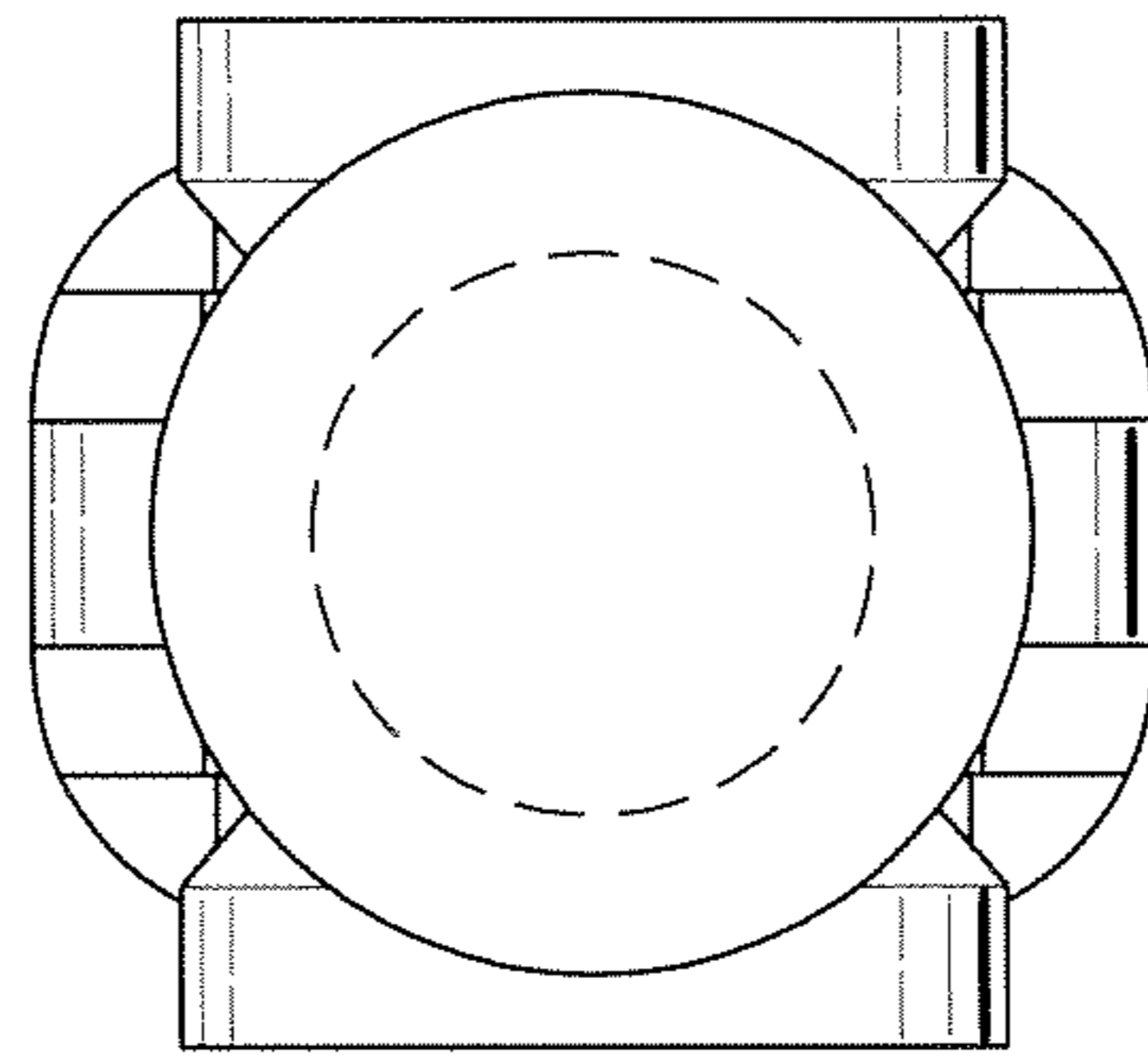


FIG. 6

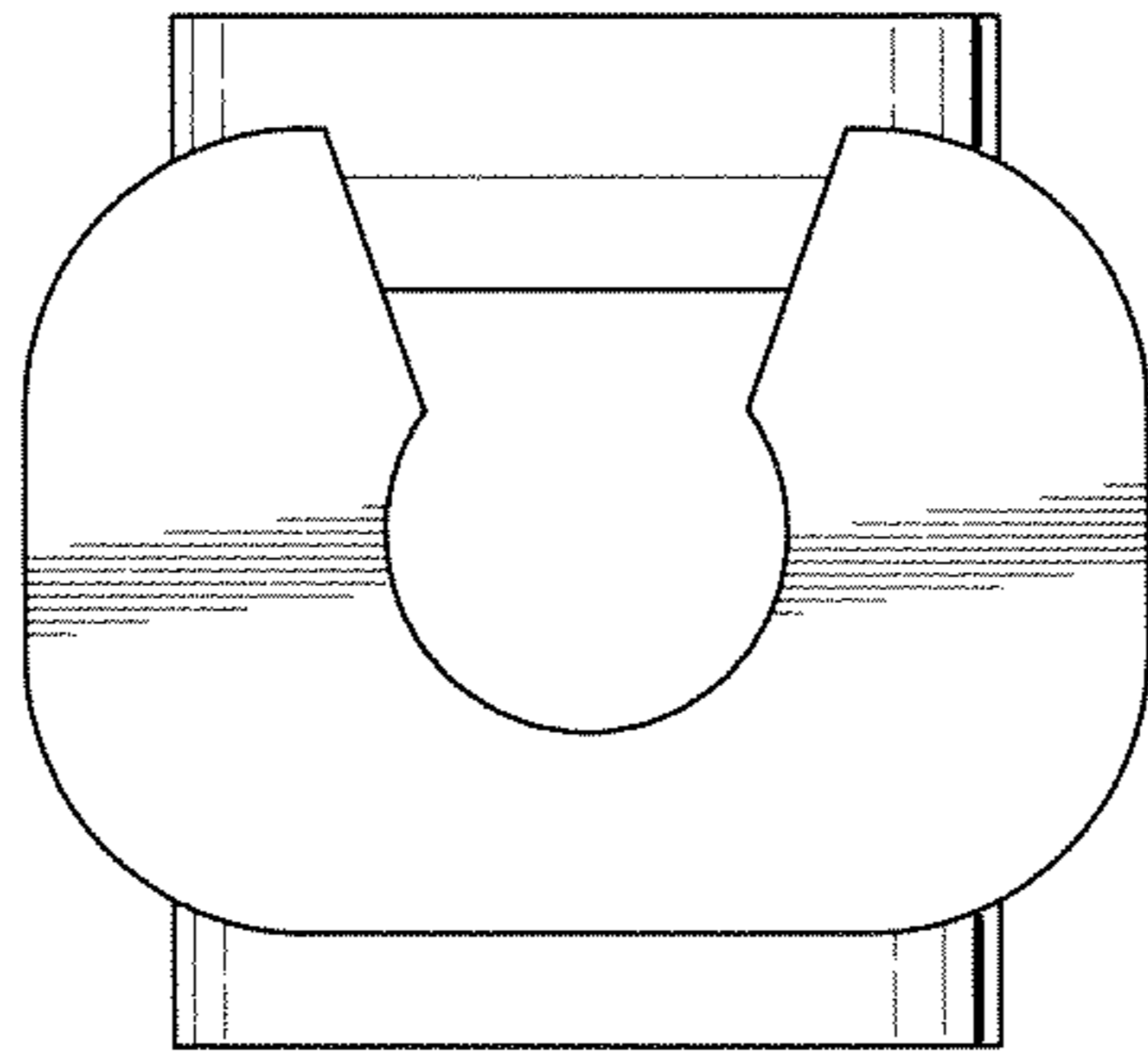


FIG. 7

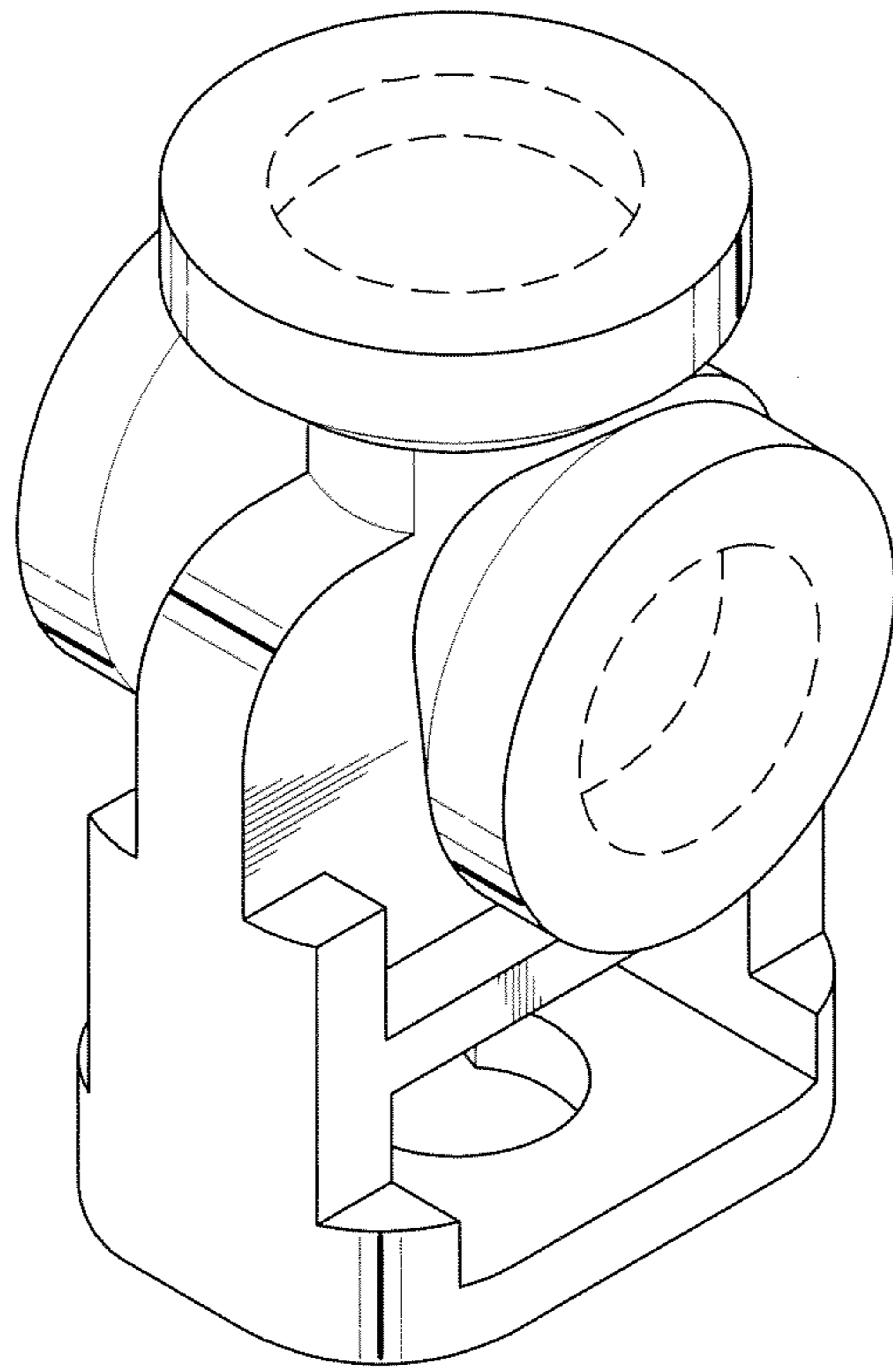


FIG. 8