



US00D714129S

(12) **United States Design Patent**
Bainbridge

(10) **Patent No.:** **US D714,129 S**

(45) **Date of Patent:** **** Sep. 30, 2014**

(54) **CORD LOCK**

(71) Applicant: **James R. Bainbridge**, Marcellus, MI
(US)

(72) Inventor: **James R. Bainbridge**, Marcellus, MI
(US)

(**) Term: **14 Years**

(21) Appl. No.: **29/489,174**

(22) Filed: **Apr. 28, 2014**

Related U.S. Application Data

(62) Division of application No. 29/448,327, filed on Mar. 12, 2013.

(51) **LOC (10) Cl.** **08-05**

(52) **U.S. Cl.**
USPC **D8/356**

(58) **Field of Classification Search**
USPC D8/356, 354, 349, 499, 383, 395, 396;
439/207, 208, 209, 210, 211, 445, 446,
439/447; 248/68.1, 49, 74.4; 385/59, 137;
604/179, 174, 93.01, 48, 19; 24/19 PB,
24/30.5 P, 17 AP
See application file for complete search history.

(56) **References Cited**

U.S. PATENT DOCUMENTS

D408,269 S	4/1999	Ross	
D411,950 S	7/1999	Dinh et al.	
D459,194 S	6/2002	Johansson et al.	
D470,034 S	2/2003	Wu et al.	
D473,448 S	4/2003	Wu et al.	
D477,770 S	7/2003	Baker et al.	
D487,536 S	3/2004	Ågren	
6,709,100 B2 *	3/2004	Kalbach	351/156
D488,372 S	4/2004	Gambrell	

D497,305 S	10/2004	Perri et al.	
D497,793 S	11/2004	Votypka	
D512,904 S	12/2005	Thaler	
7,249,728 B2	7/2007	Williamson	
D573,453 S *	7/2008	Buckley	D8/382
D576,406 S	9/2008	Chan	
D605,032 S	12/2009	Bushey	
D625,986 S	10/2010	Kolasa	
D628,465 S	12/2010	Hernandez	
D629,671 S	12/2010	Ohuri et al.	
D630,090 S *	1/2011	Ishii et al.	D8/383
D630,502 S *	1/2011	Ishii et al.	D8/383
D633,378 S *	3/2011	Chan	D8/383
D646,555 S	10/2011	Galle	
D657,300 S *	4/2012	Wright	D12/317
D671,392 S	11/2012	Von Euler	
D674,380 S	1/2013	Soekoro	
D706,117 S *	6/2014	Toimil et al.	D8/356

* cited by examiner

Primary Examiner — Cynthia Underwood

(74) *Attorney, Agent, or Firm* — Flynn, Thiel, Boutell & Tanis, P.C.

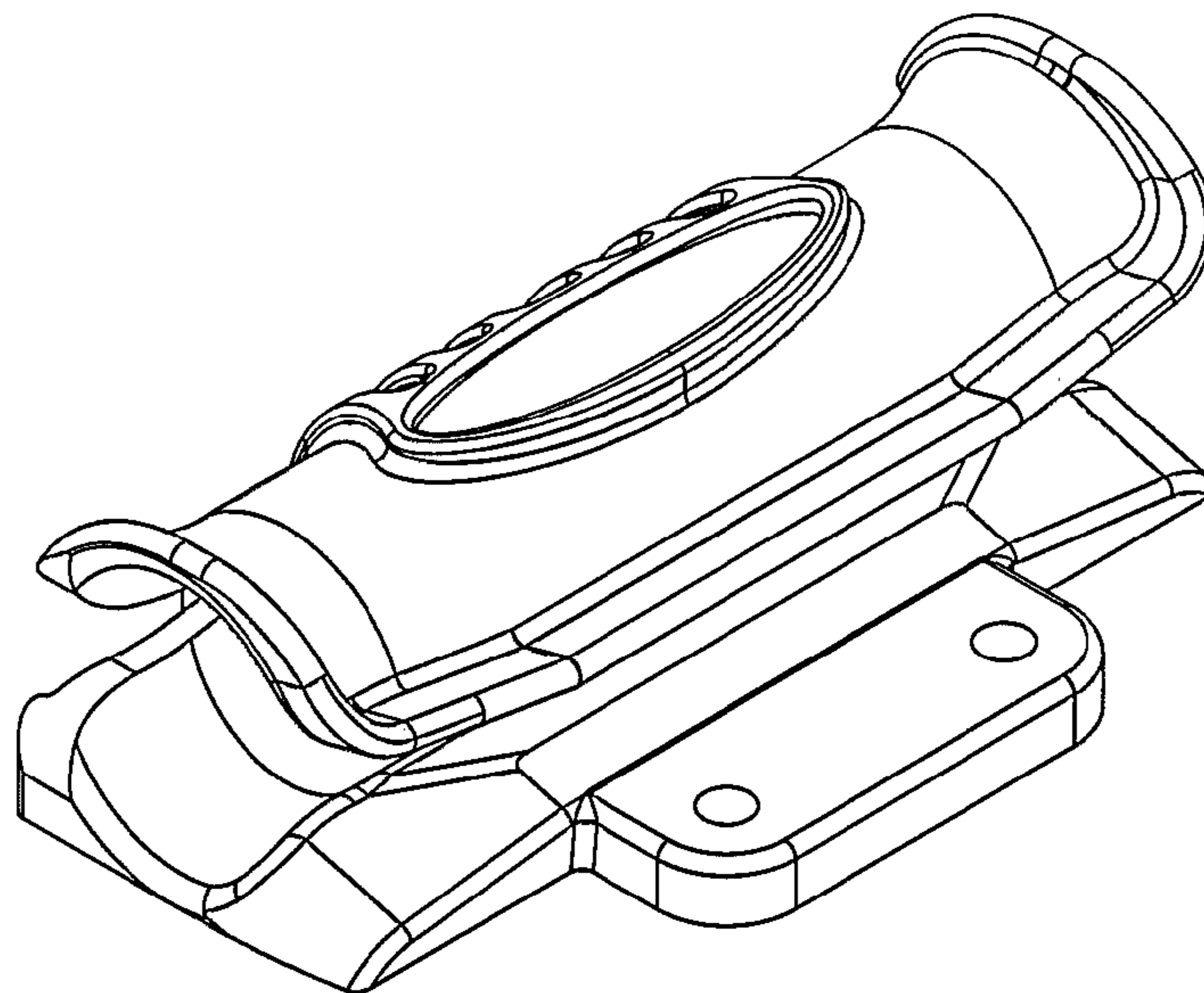
(57) **CLAIM**

The ornamental design for a cord lock, as shown and described.

DESCRIPTION

FIG. 1 is a front, top and left end isometric view of my new cord lock;
FIG. 2 is a top view thereof;
FIG. 3 is a front view thereof;
FIG. 4 is a rear view thereof;
FIG. 5 is a left end view, the right end view being a mirror image thereof;
FIG. 6 is a front, bottom and left end isometric view of the bottom thereof; and,
FIG. 7 is a bottom view thereof.

1 Claim, 3 Drawing Sheets



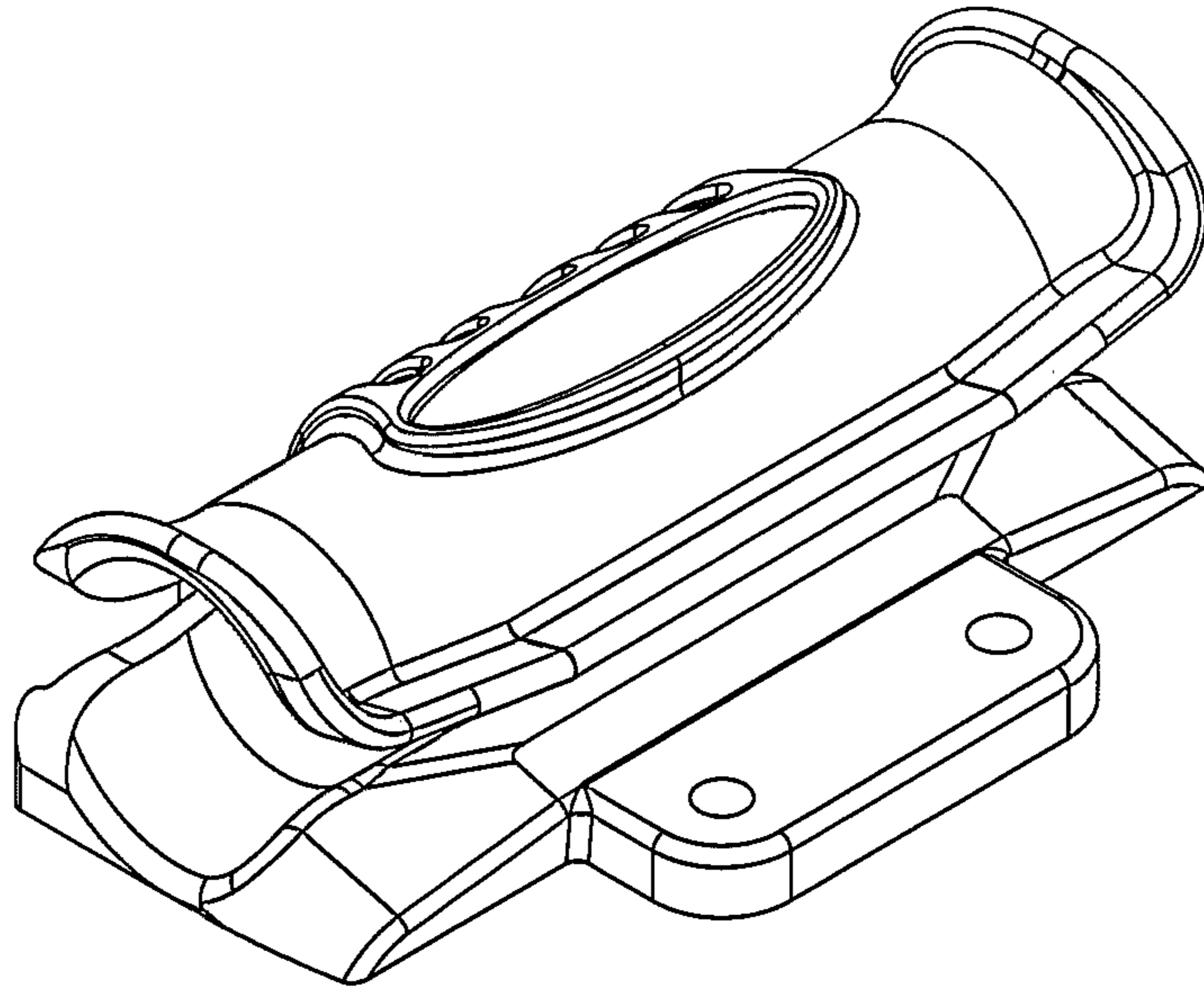


FIG. 1

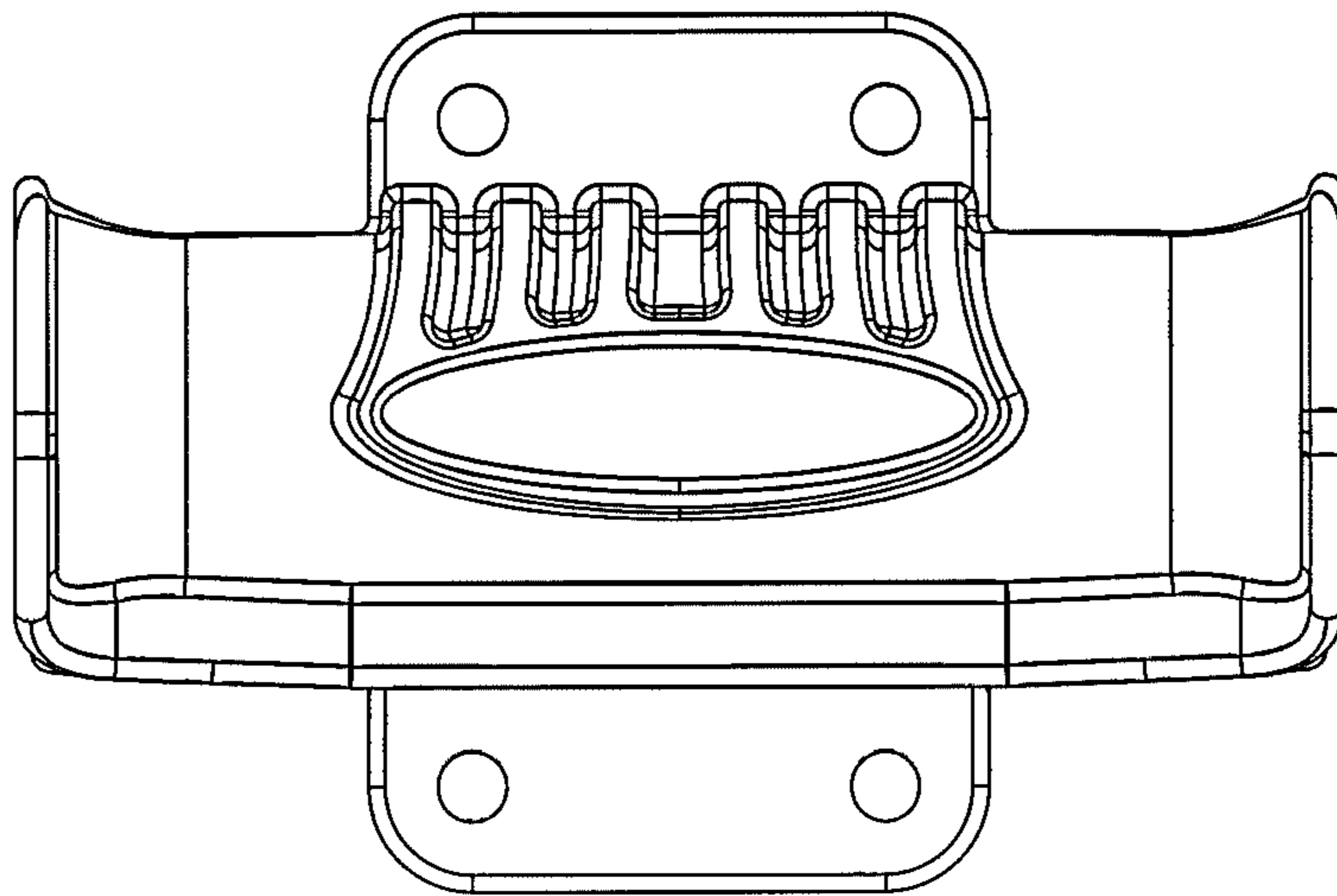


FIG. 2

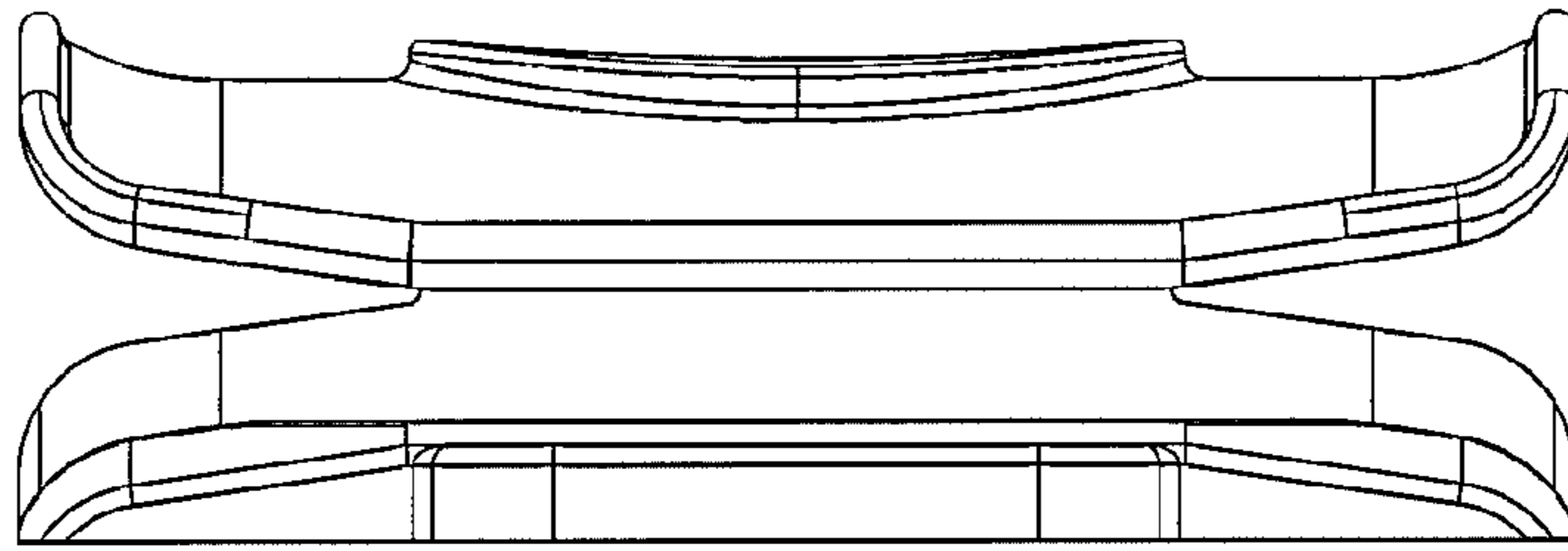


FIG. 3

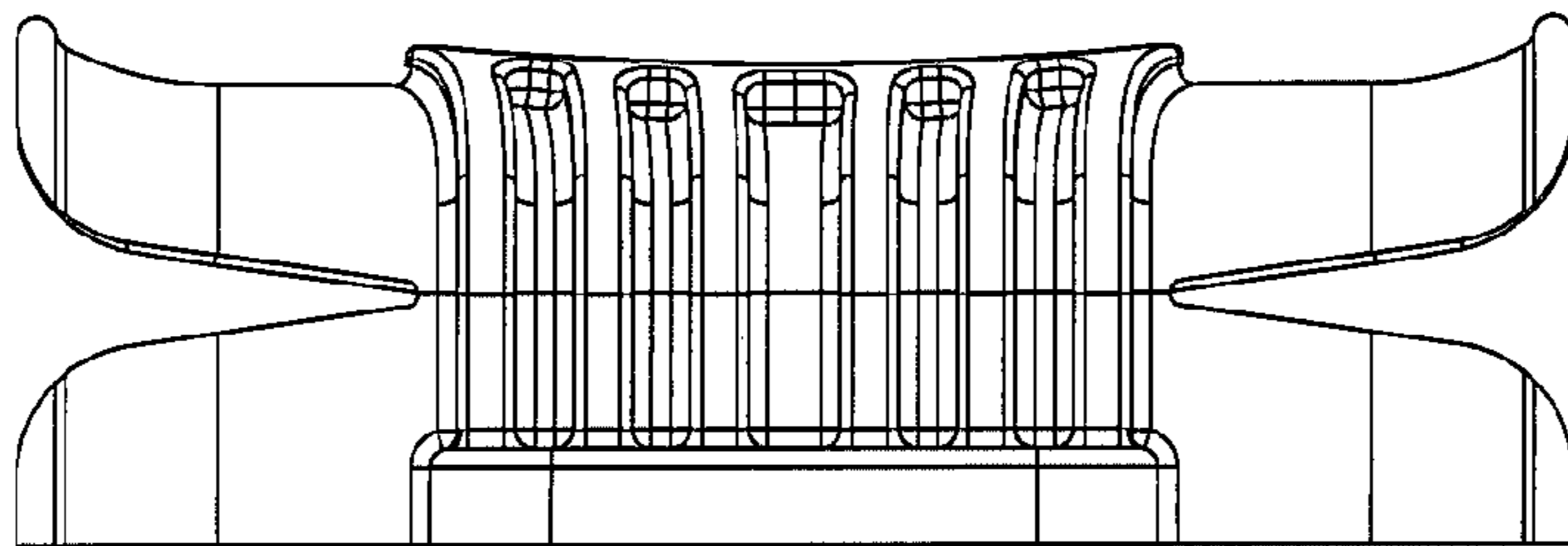


FIG. 4

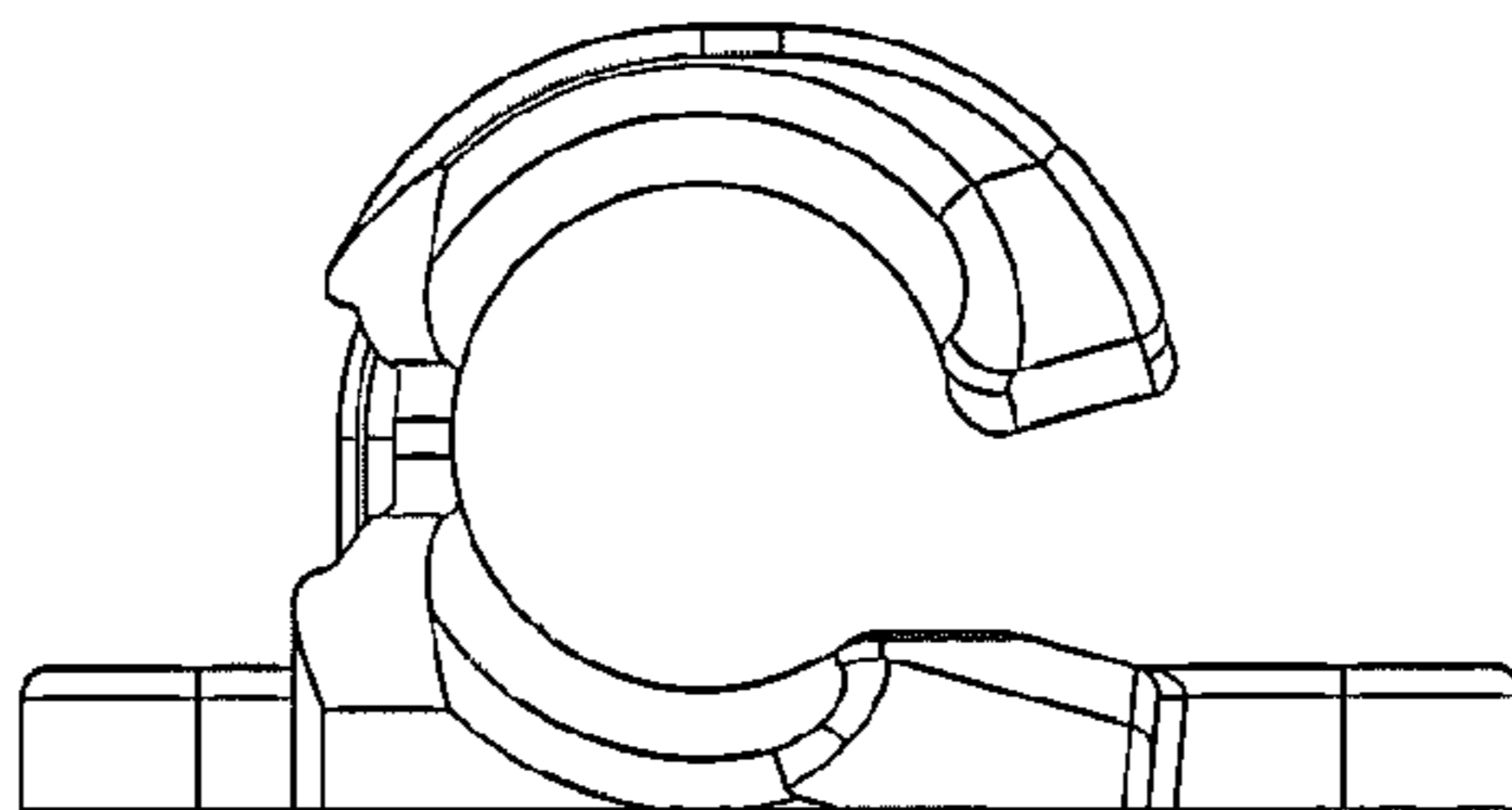


FIG. 5

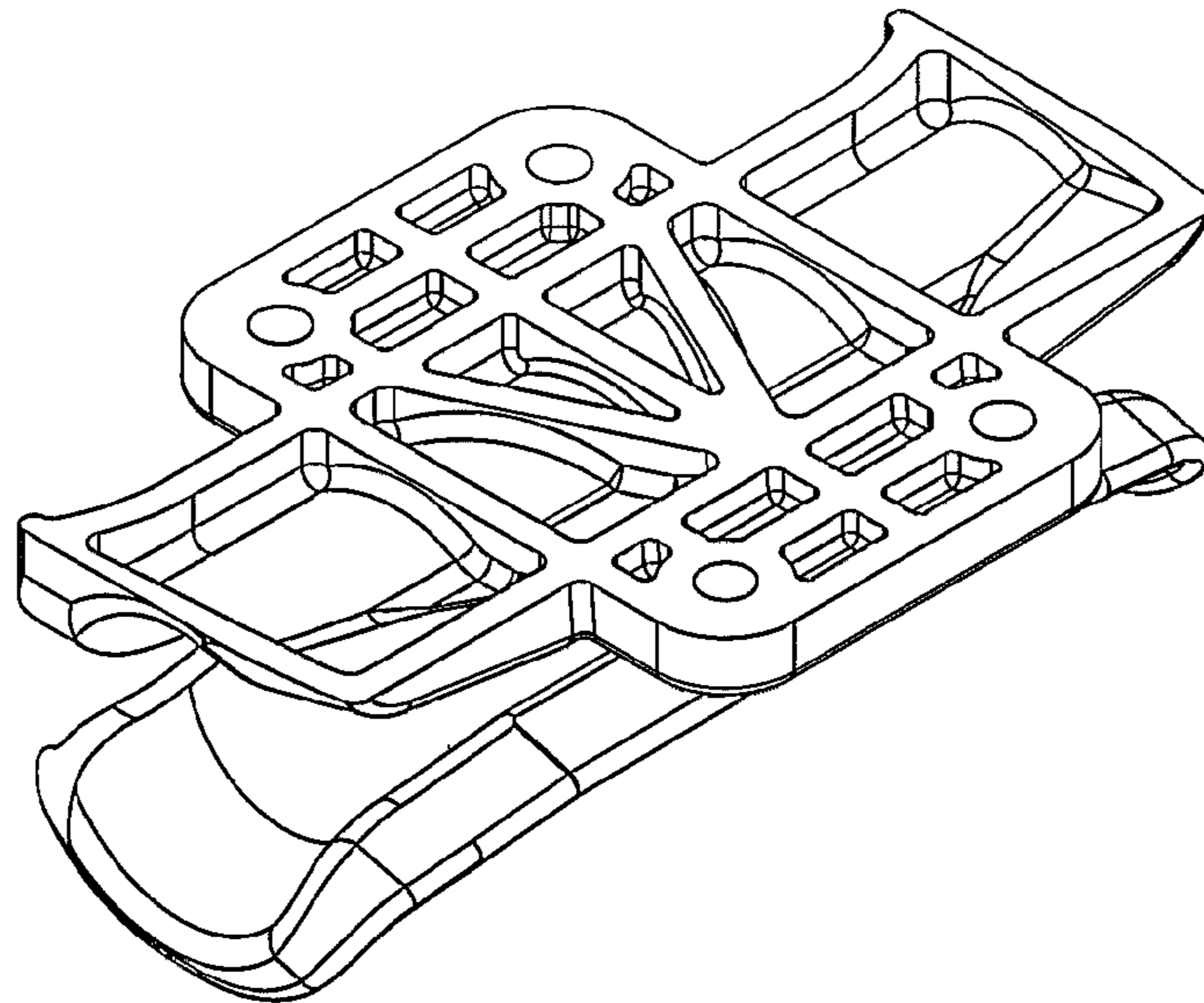


FIG. 6

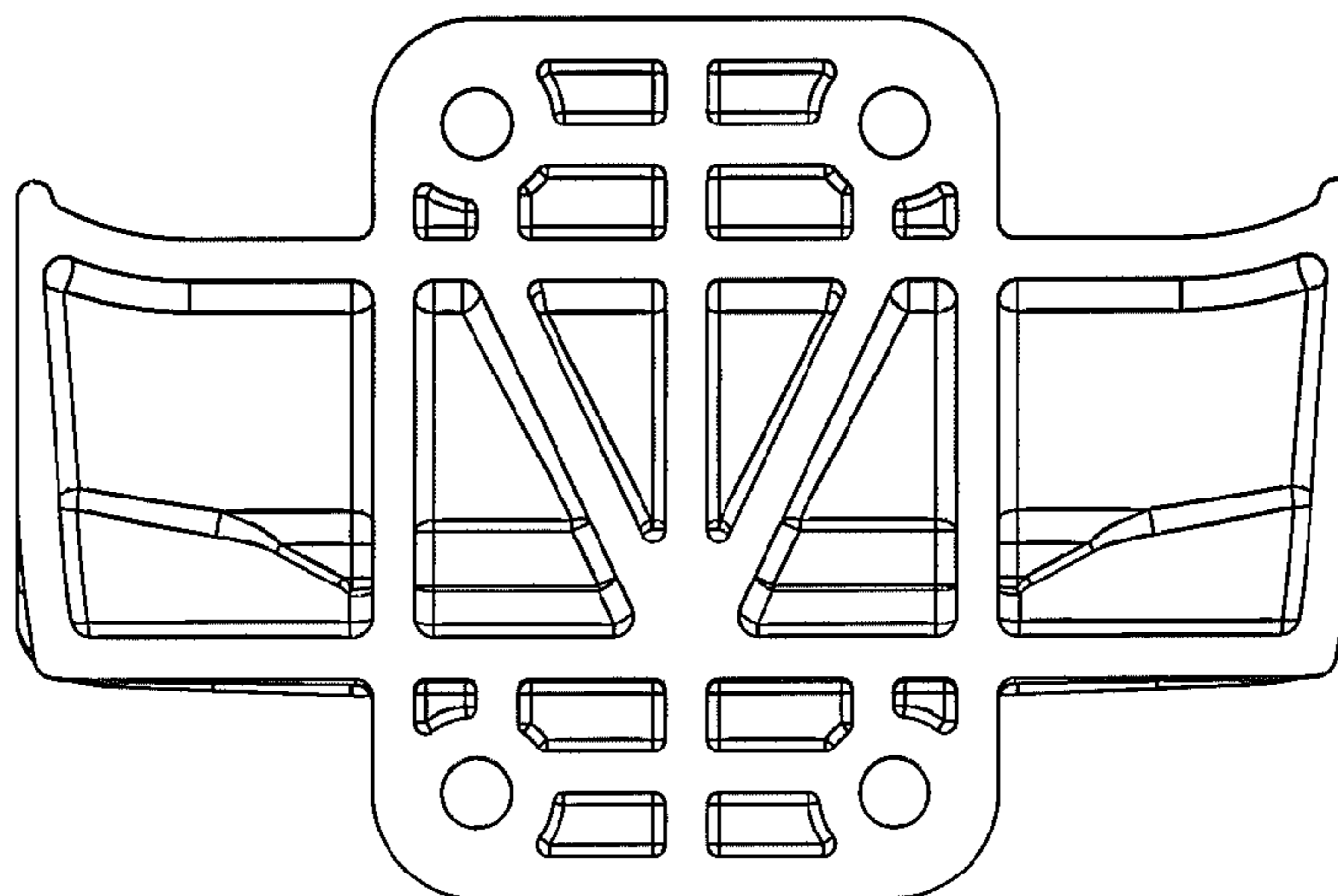


FIG. 7