



US00D714128S

(12) **United States Design Patent**
Williams

(10) **Patent No.:** **US D714,128 S**

(45) **Date of Patent:** **** Sep. 30, 2014**

(54) **CORD MANAGEMENT SYSTEM**

(71) Applicant: **Othell T. Williams**, Jacksonville, AR
(US)

(72) Inventor: **Othell T. Williams**, Jacksonville, AR
(US)

(**) Term: **14 Years**

(21) Appl. No.: **29/449,804**

(22) Filed: **Mar. 15, 2013**

(51) **LOC (10) Cl.** **08-05**

(52) **U.S. Cl.**
USPC **D8/356**

(58) **Field of Classification Search**
USPC D8/356, 354, 367, 349, 383; 439/501;
16/2.1, 2.2, 2.5, 108; 52/301; 174/65 G,
174/65 R, 65 SS, 151, 152 G, 153 G;
211/70.6; 248/56, 309.1, 310, 311.2,
248/15, 182, 339; 294/160
See application file for complete search history.

(56) **References Cited**

U.S. PATENT DOCUMENTS

3,391,432	A *	7/1968	Durocher	403/188
3,576,304	A *	4/1971	Gillemot et al.	248/74.2
3,736,627	A *	6/1973	Sosinski	24/23 W
4,508,220	A *	4/1985	Pearson	206/343
4,775,121	A *	10/1988	Carty	248/68.1
5,363,539	A *	11/1994	Tisol	24/543
D354,904	S *	1/1995	Halsten	D8/356
D382,195	S *	8/1997	Ekern	D8/373
D408,269	S *	4/1999	Ross	D8/356
D427,048	S *	6/2000	Potter et al.	D8/356
D443,192	S *	6/2001	Hopf	D8/107
6,360,051	B1 *	3/2002	Daoud	385/137
D488,054	S *	4/2004	Myers	D8/356
D497,305	S *	10/2004	Perri et al.	D8/356
D497,793	S *	11/2004	Votypka	D8/356
D606,025	S *	12/2009	Cheng et al.	D13/155
D608,621	S *	1/2010	Yu Chen	D8/356
D630,317	S *	1/2011	Wung	D24/128

D635,012	S *	3/2011	Sempliner et al.	D8/356
D644,501	S *	9/2011	Chen	D8/356
D657,460	S *	4/2012	Uhlenkamp et al.	D24/128
D668,130	S *	10/2012	Pawluk	D8/356
D668,934	S *	10/2012	Warner	D8/356
D674,380	S *	1/2013	Soekoro	D14/250
D700,504	S *	3/2014	Blocker	D8/367
2004/0118982	A1 *	6/2004	Shillings et al.	248/68.1
2005/0234405	A1 *	10/2005	Dikeman et al.	604/180

* cited by examiner

Primary Examiner — Cynthia Underwood

(74) *Attorney, Agent, or Firm* — Joe D. Calhoun

(57) **CLAIM**

The ornamental design of a cord management system, as shown and described.

DESCRIPTION

FIG. 1 is an enlarged perspective view of the cord management system, with one of the holders removed for clarity and shown in a position of use;

FIG. 2 is a reduced scale perspective view from the other side of the cord management system of FIG. 1, shown in an alternate position of use;

FIG. 3 is a top plan view of the cord management system of FIG. 2;

FIG. 4 is a bottom plan view of the cord management system of FIG. 2.

FIG. 5 is a left side elevation view of the cord management system of FIG. 2, with the right side elevation view being a mirror image of the left side elevation view.

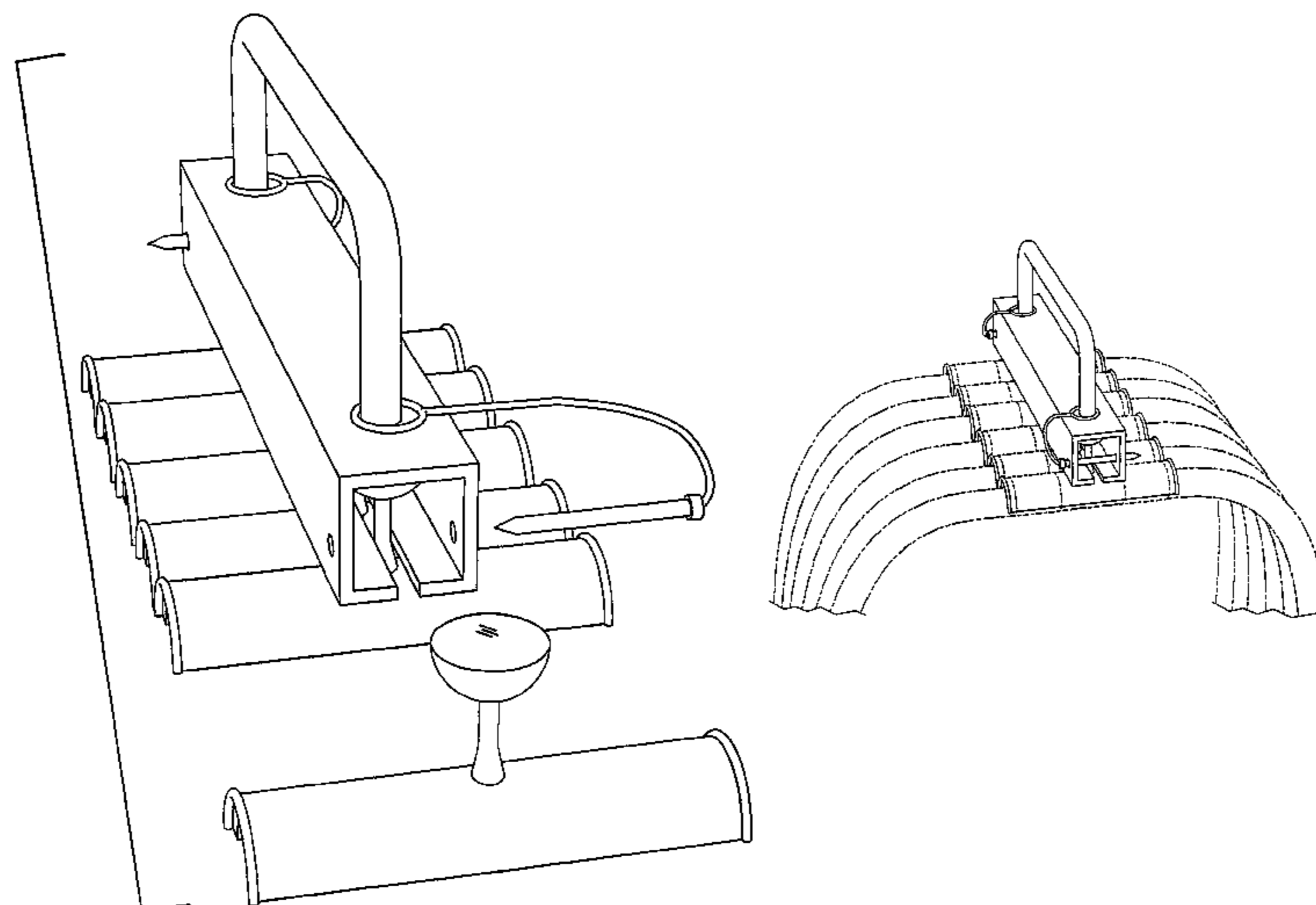
FIG. 6 is a front elevation view of the cord management system of FIG. 1.

FIG. 7 is a reduced scale perspective view of the cord management system of FIG. 2, shown separated from the housing portion of the invention for clarity of illustration; and,

FIG. 8 is a rear elevation view of the cord management system of FIG. 2.

The broken lines showing the cord or cable are for illustrative purposes only, and do not form part of the claimed invention.

1 Claim, 5 Drawing Sheets



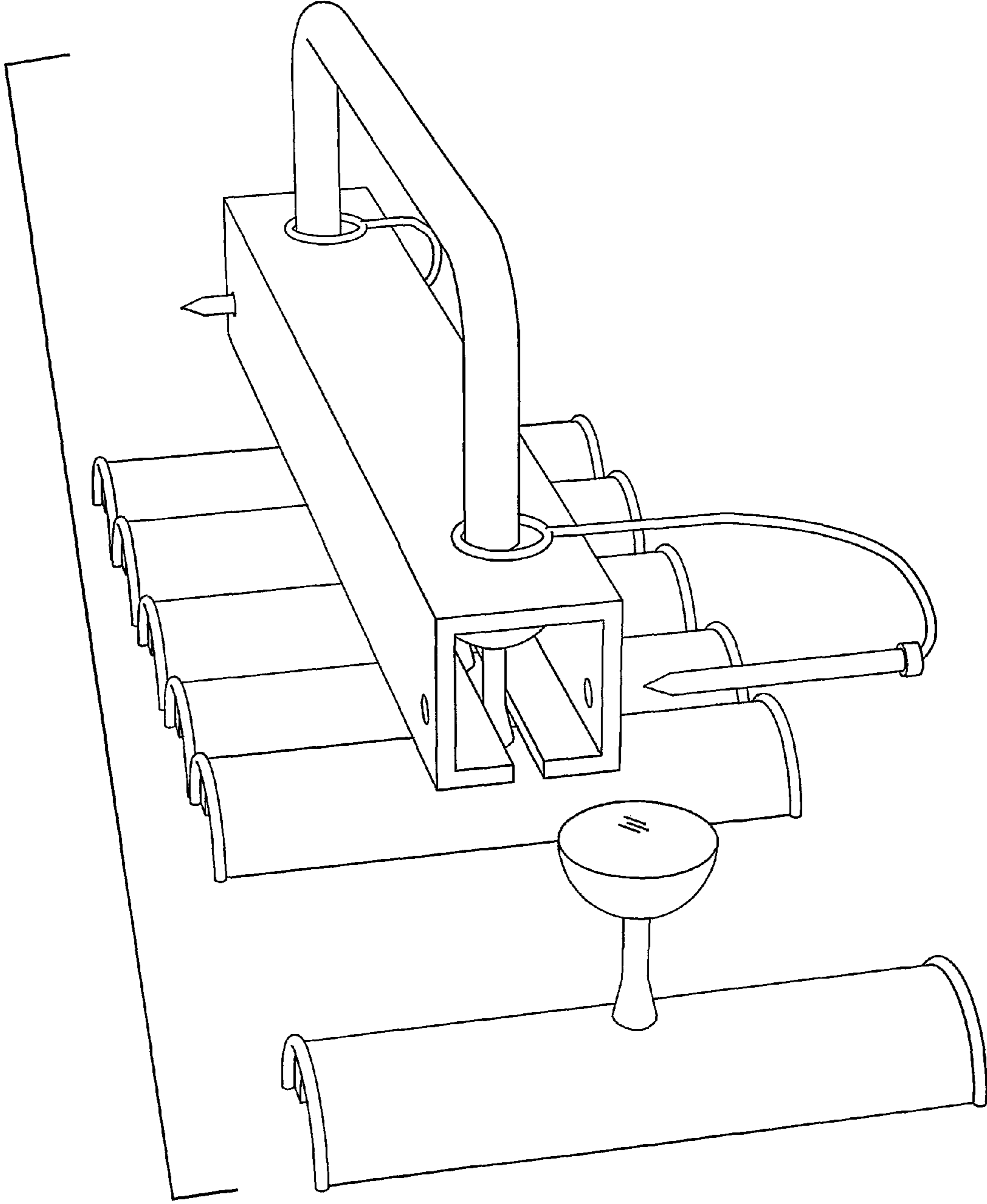


FIG. 1

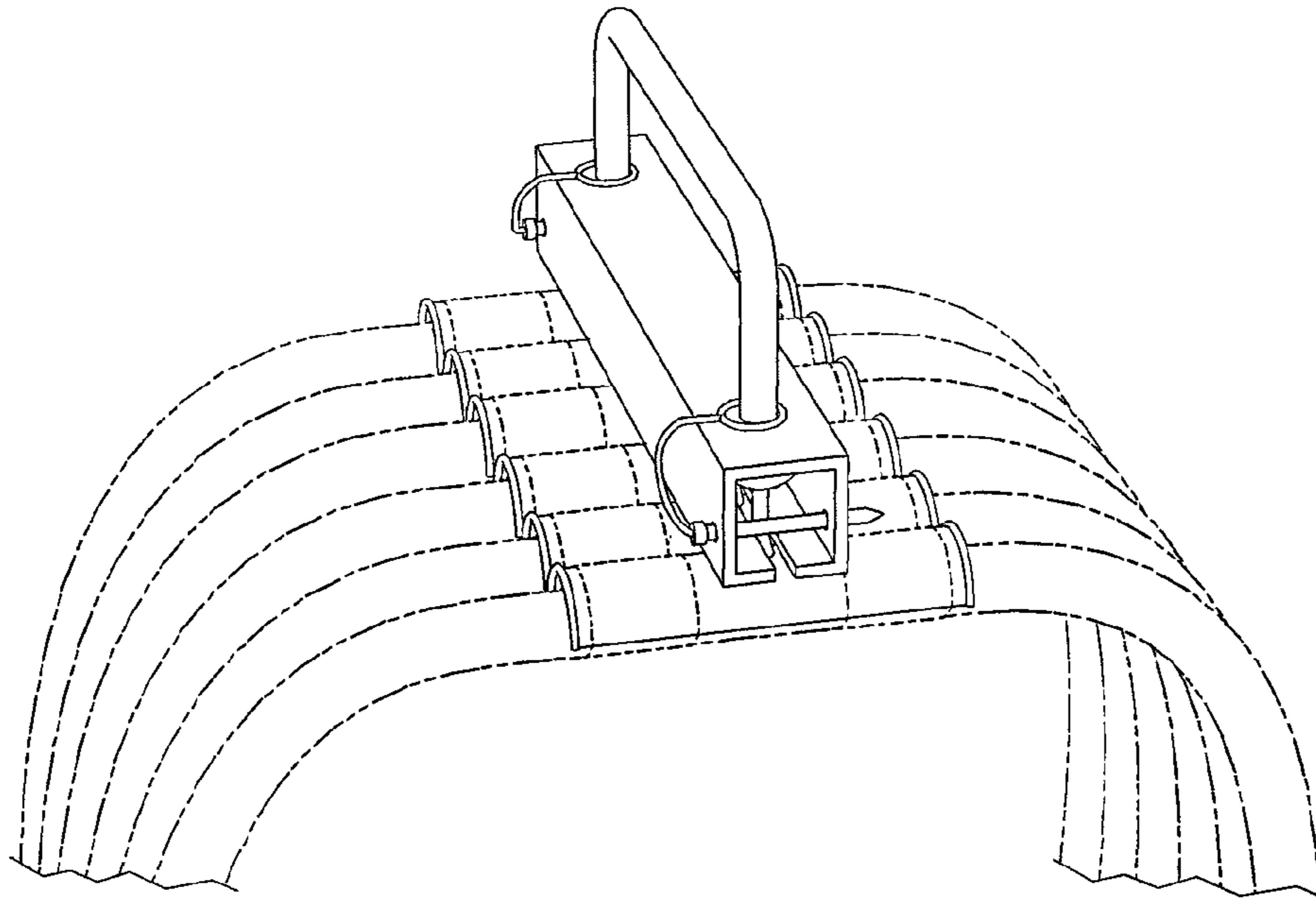


FIG. 2

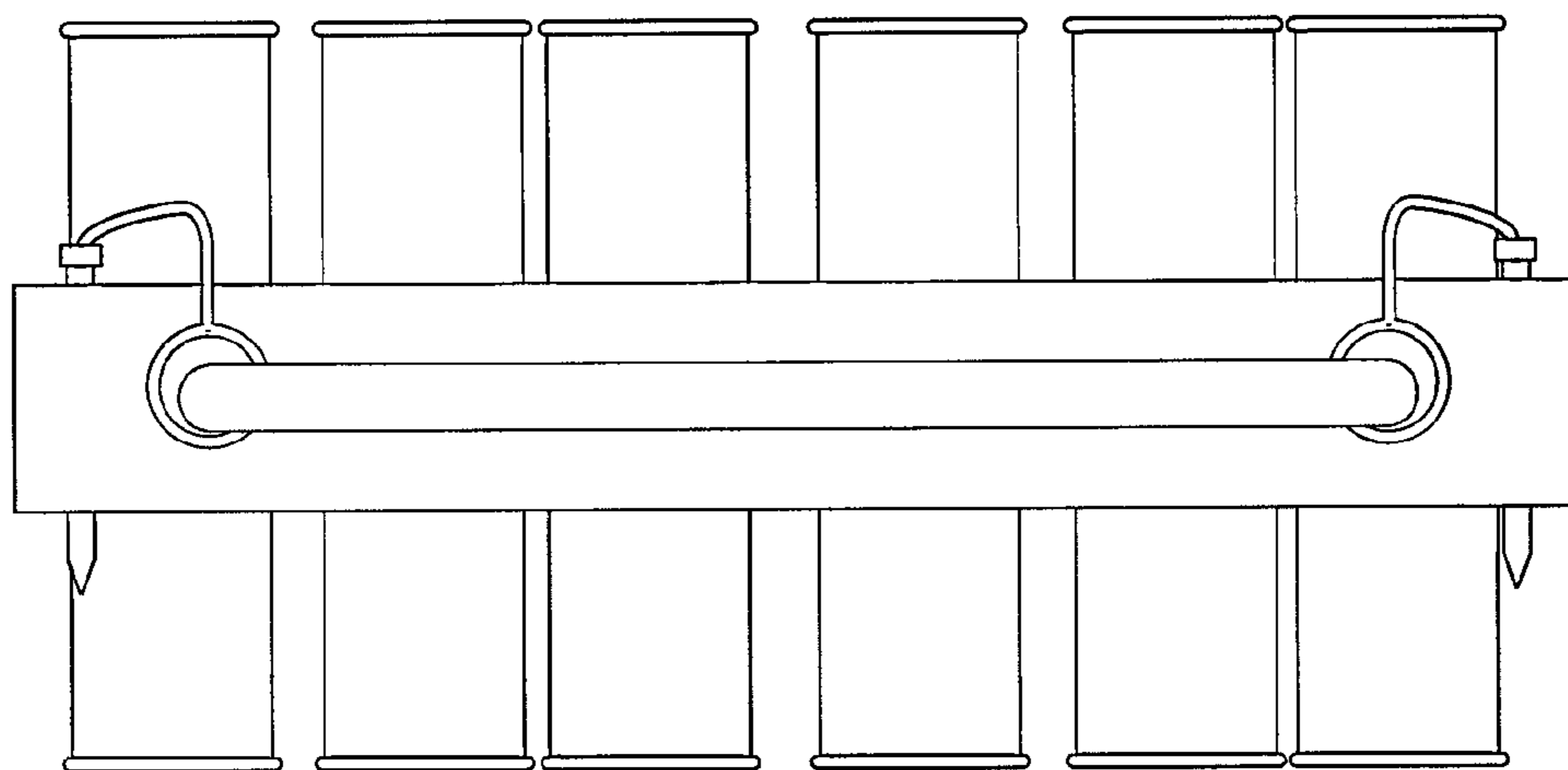


FIG. 3

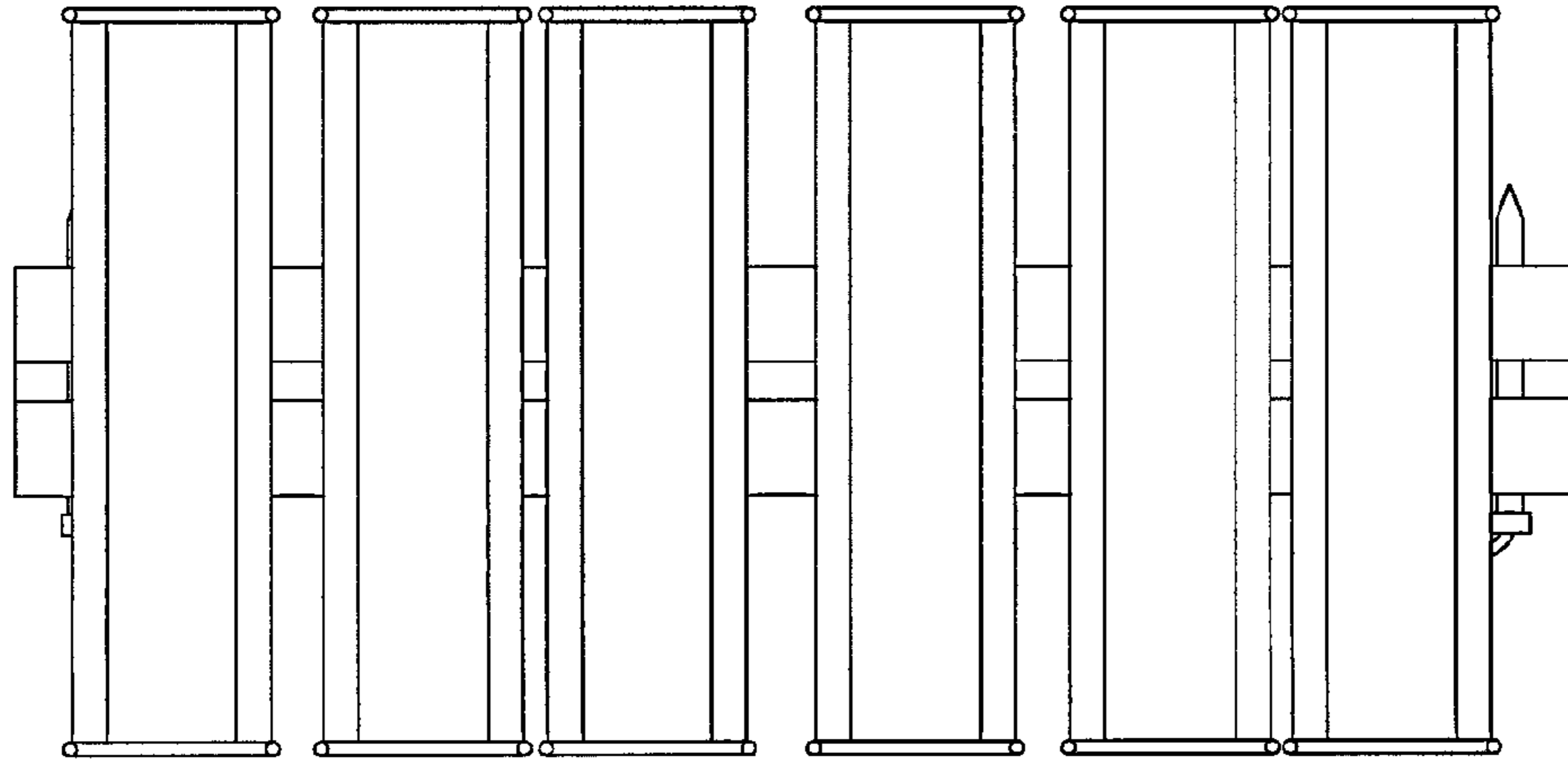


FIG. 4

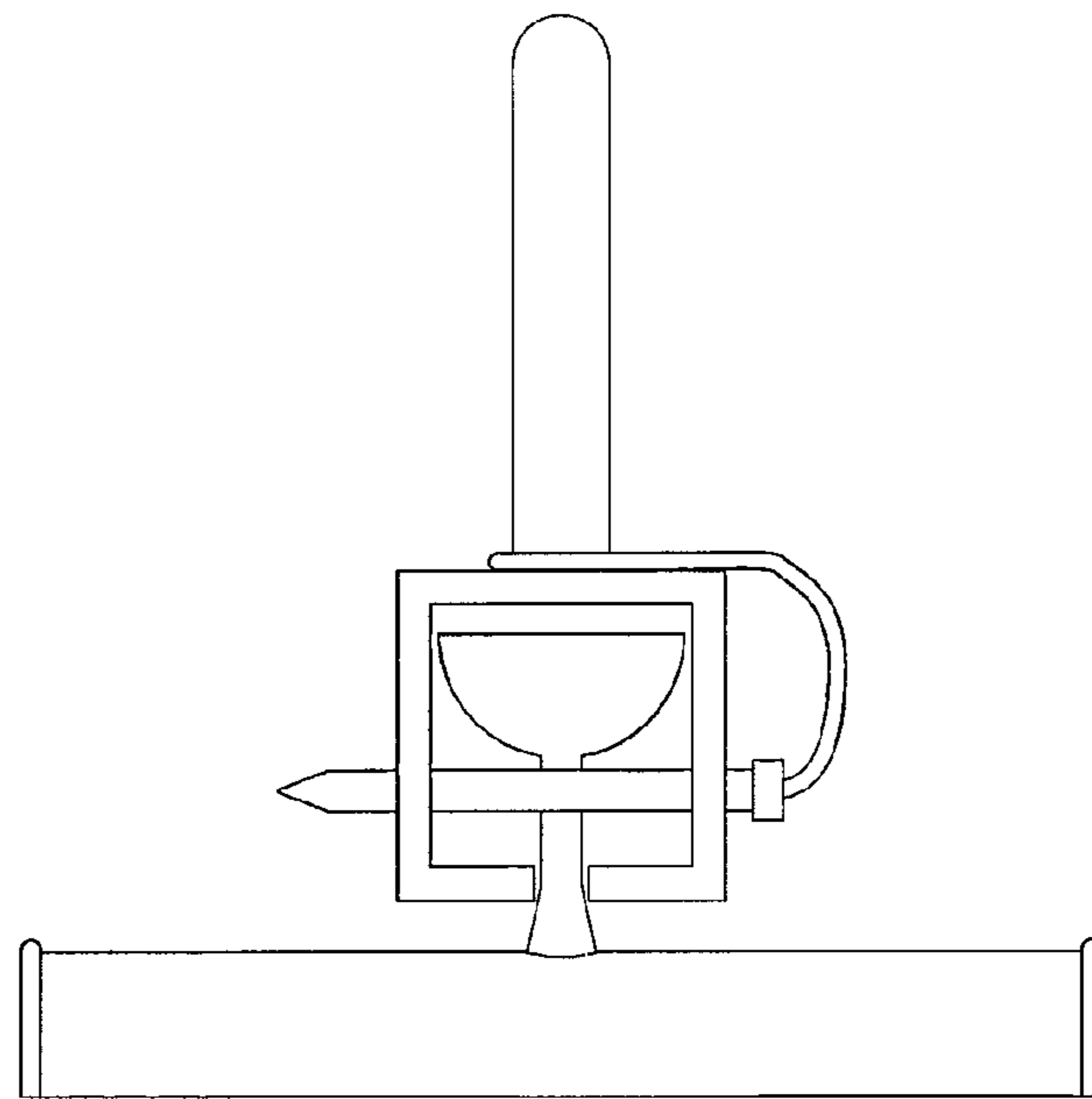


FIG. 5

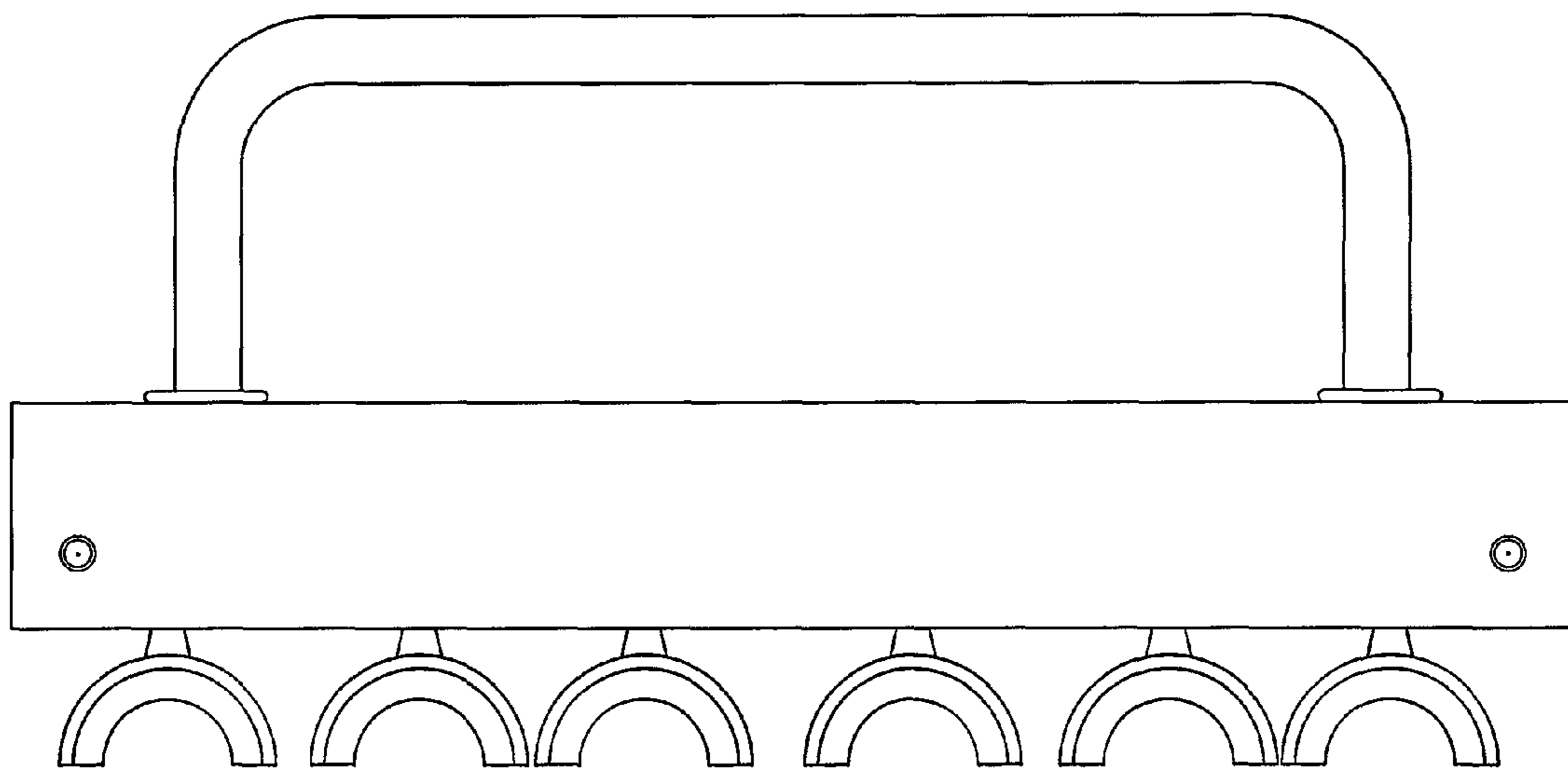


FIG. 6

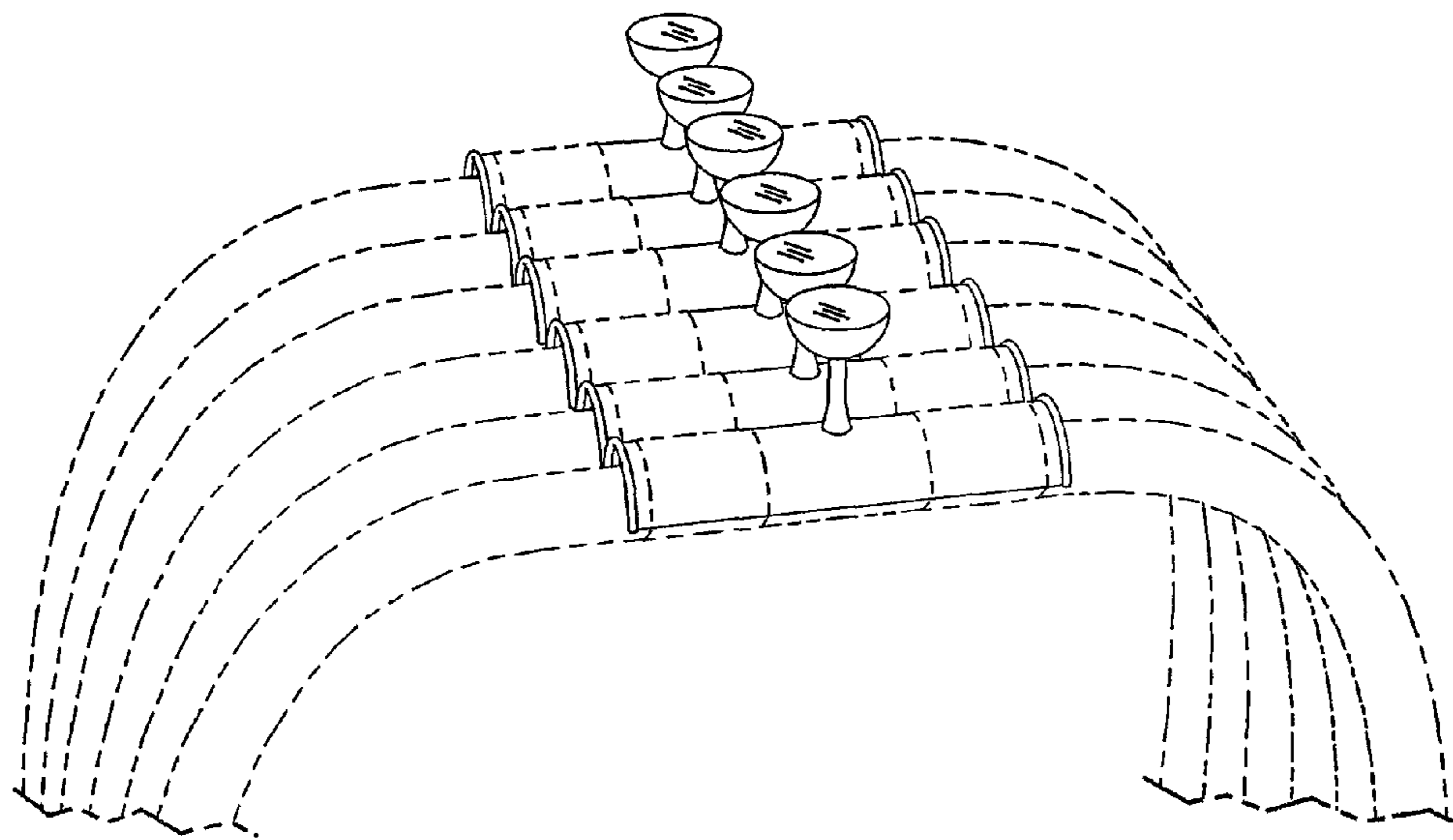


FIG. 7

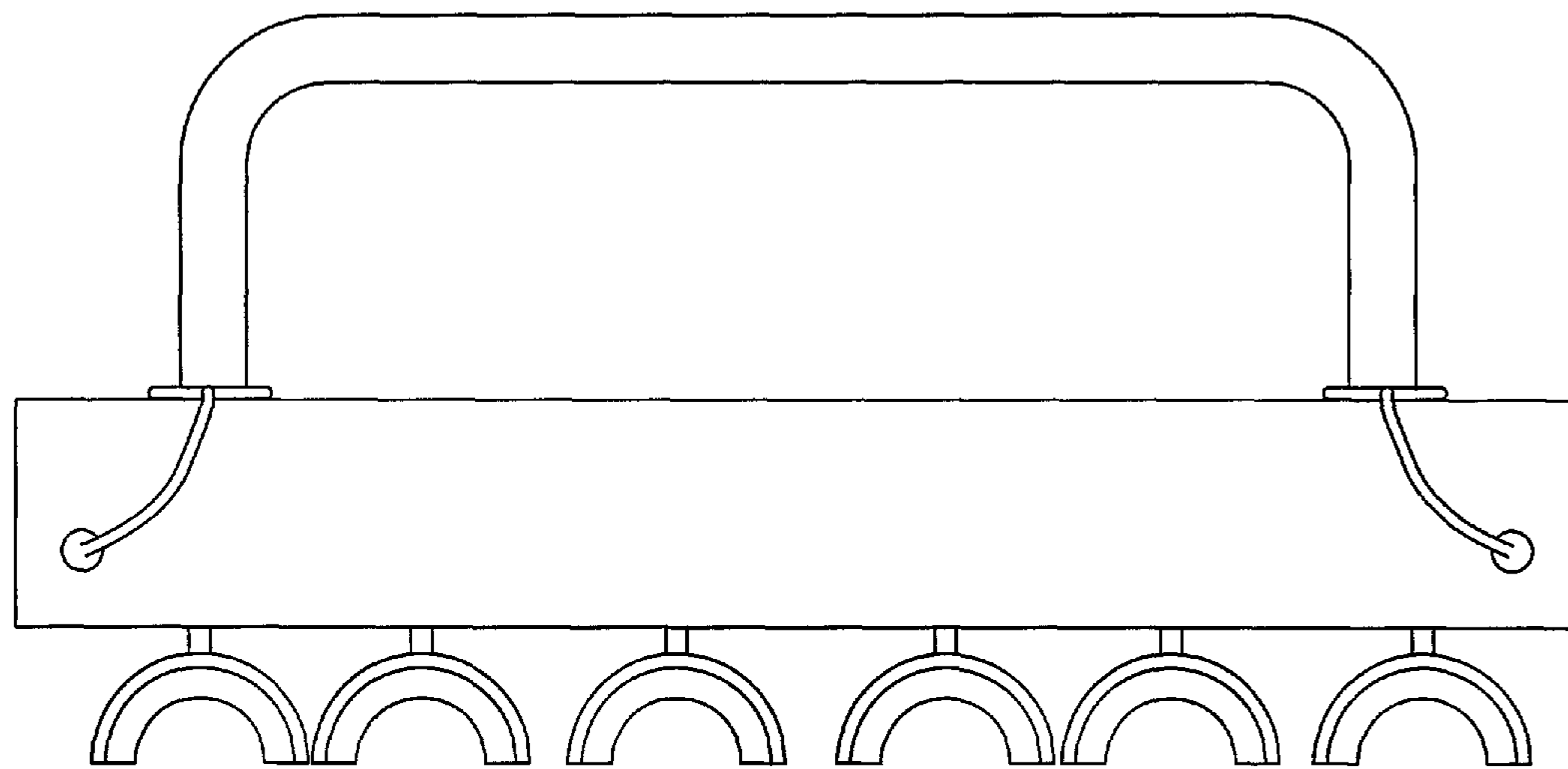


FIG. 8