



US00D714125S

(12) **United States Design Patent**  
**Seiders**

(10) **Patent No.:** **US D714,125 S**

(45) **Date of Patent:** **\*\* Sep. 30, 2014**

- (54) **LATCH AND LATCH KEEPER**
- (71) Applicant: **YETI Coolers, LLC**, Austin, TX (US)
- (72) Inventor: **Roy Joseph Seiders**, Austin, TX (US)
- (73) Assignee: **YETI Coolers, LLC**, Austin, TX (US)
- (\*\*) Term: **14 Years**

2,641,493	A	6/1953	Flugarth	
2,960,216	A	11/1960	Brady	
3,618,995	A	11/1971	McLean	
3,690,708	A *	9/1972	Worley et al.	292/101
3,782,765	A	1/1974	Wallyn	
3,782,795	A	1/1974	Richey et al.	
D257,218	S	10/1980	Eriksson	
D278,502	S *	4/1985	Powell, Jr.	D7/605
D289,850	S	5/1987	Olson	

(Continued)

(21) Appl. No.: **29/479,073**

(22) Filed: **Jan. 10, 2014**

**Related U.S. Application Data**

(63) Continuation of application No. 13/304,739, filed on Nov. 28, 2011.

(51) **LOC (10) Cl.** ..... **08-07**

(52) **U.S. Cl.**  
USPC ..... **D8/331**

(58) **Field of Classification Search**  
CPC ..... E05C 1/00; E05C 1/002; E05C 1/08;  
E05C 1/10; E05C 3/00; E05C 3/002; E05C  
3/12; E05C 3/16; E05C 19/08  
USPC ..... D8/330, 331, 341, 343, 301, 302;  
70/14, 64-76, 141, 142, 119, 111, 164,  
70/240, DIG. 80; 292/358, 359, 348, 256,  
292/256.5, 247, DIG. 31, DIG. 49, DIG. 63;  
D3/232, 900, 903; 220/324, 833, 834;  
190/900, 902; 206/6.1

See application file for complete search history.

(56) **References Cited**

**U.S. PATENT DOCUMENTS**

D2,237	S	12/1865	Richardson
1,087,167	A	2/1914	Groehn
1,483,953	A	2/1924	Rainey
1,490,575	A	4/1924	Masury et al.
1,699,313	A	1/1929	Schlauch

**OTHER PUBLICATIONS**

Yeti design photos, published date unknown, but prior to the filing date of the present application.

(Continued)

*Primary Examiner* — Prabhakar Deshmukh

(74) *Attorney, Agent, or Firm* — Banner & Witcoff, Ltd.

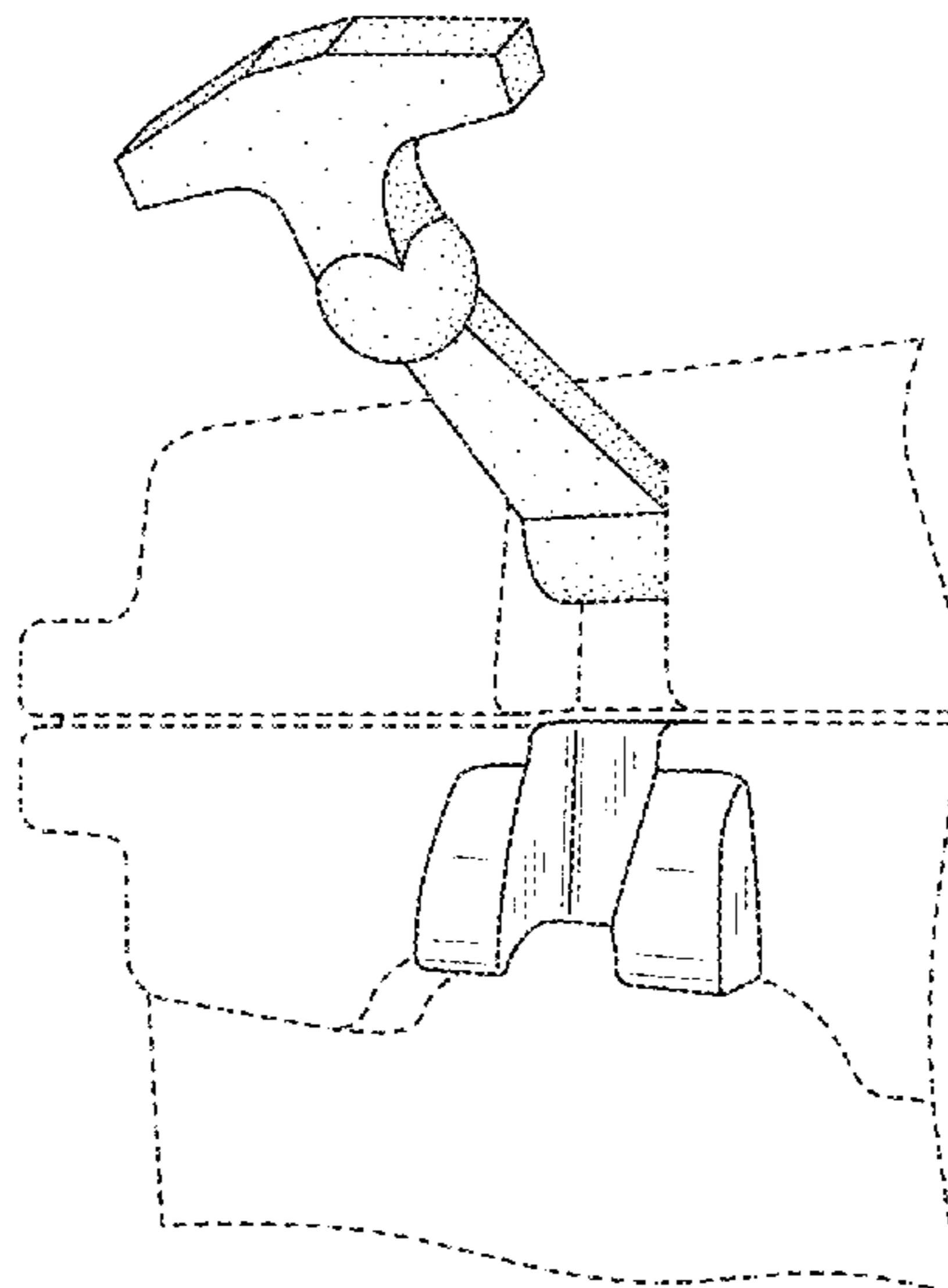
(57) **CLAIM**

The ornamental design for a latch and latch keeper, as shown and described.

**DESCRIPTION**

FIG. 1 is a top, front, left perspective view of a latch and latch keeper showing my new design;  
 FIG. 2 is an enlarged partial top, front, left perspective view thereof;  
 FIG. 3 is an enlarged partial bottom, front perspective view thereof;  
 FIG. 4 is an enlarged exploded top, front, left partial perspective view thereof; and,  
 FIG. 5 is an enlarged partial bottom, front perspective view of an alternative configuration thereof.  
 The broken lines showing the remainder of the latch and latch keeper are for environmental purposes only and form no part of the claimed design.

**1 Claim, 5 Drawing Sheets**



(56)

References Cited

U.S. PATENT DOCUMENTS

4,702,504 A 10/1987 Brothers  
 D297,813 S \* 9/1988 Marx ..... D8/394  
 4,804,215 A 2/1989 Bisbing  
 4,828,298 A 5/1989 Bisbing  
 4,830,413 A 5/1989 Bisbing  
 D314,683 S 2/1991 Scanland  
 D333,775 S \* 3/1993 Krape ..... D8/342  
 5,213,381 A \* 5/1993 Anderson ..... 292/111  
 D361,929 S \* 9/1995 Weinerman et al. .... D8/336  
 D364,082 S \* 11/1995 Weinerman et al. .... D8/331  
 5,478,125 A \* 12/1995 Gromotka ..... 292/67  
 D374,806 S \* 10/1996 Ford et al. .... D8/331  
 D380,369 S 7/1997 Antonucci  
 5,735,428 A \* 4/1998 Chern ..... 220/324  
 5,738,238 A \* 4/1998 Yang ..... 220/324  
 5,984,383 A \* 11/1999 Parikh et al. .... 292/121  
 D427,882 S 7/2000 Wytcherley et al.  
 D435,780 S 1/2001 Tieu  
 6,182,462 B1 \* 2/2001 Bania et al. .... 62/264  
 D454,292 S 3/2002 Plummer et al.  
 6,398,272 B1 \* 6/2002 Plummer et al. .... 292/246  
 D469,681 S 2/2003 Votruba et al.  
 D491,440 S 6/2004 Pfeiffer et al.  
 D491,796 S 6/2004 Eriksson  
 D491,797 S 6/2004 Eriksson  
 D584,594 S 1/2009 Marko

D590,694 S 4/2009 Stuckey  
 7,540,364 B2 \* 6/2009 Sanderson ..... 190/119  
 D602,347 S 10/2009 Allen  
 8,186,728 B2 \* 5/2012 Kopylov ..... 292/113  
 D699,100 S \* 2/2014 Moreau et al. .... D8/394  
 2008/0110892 A1 5/2008 House  
 2009/0139245 A1 \* 6/2009 Blackway et al. .... 62/3.62

OTHER PUBLICATIONS

Southco 37 Draw Latch Flyer, published date unknown, but prior to the filing date of the present application.  
[https://web.archive.org/web/20080530173551/http://www.alltackle.com/fish\\_coolers.htm](https://web.archive.org/web/20080530173551/http://www.alltackle.com/fish_coolers.htm), downloaded on May 21, 2014, depicting prior art products on sale in this country on May 30, 2008, 8 pages.  
[https://web.archive.org/web/20080530173902/http://www.alltackle.com/yeti\\_fish\\_coolers.htm](https://web.archive.org/web/20080530173902/http://www.alltackle.com/yeti_fish_coolers.htm), downloaded on May 21, 2014, depicting prior art products on sale in this country on May 30, 2008, 5 pages.  
[https://webarchive.org/web/20081224163250/http://www.alltackle.com/icey\\_tek\\_fish\\_coolers.htm](https://webarchive.org/web/20081224163250/http://www.alltackle.com/icey_tek_fish_coolers.htm), downloaded on May 21, 2014, depicting prior art products on sale in this country on Dec. 24, 2008, 5 pages.  
 Photographs showing prior art product sold in this country more than one year prior to the earliest filing date of the instant application, 22 pages.

\* cited by examiner

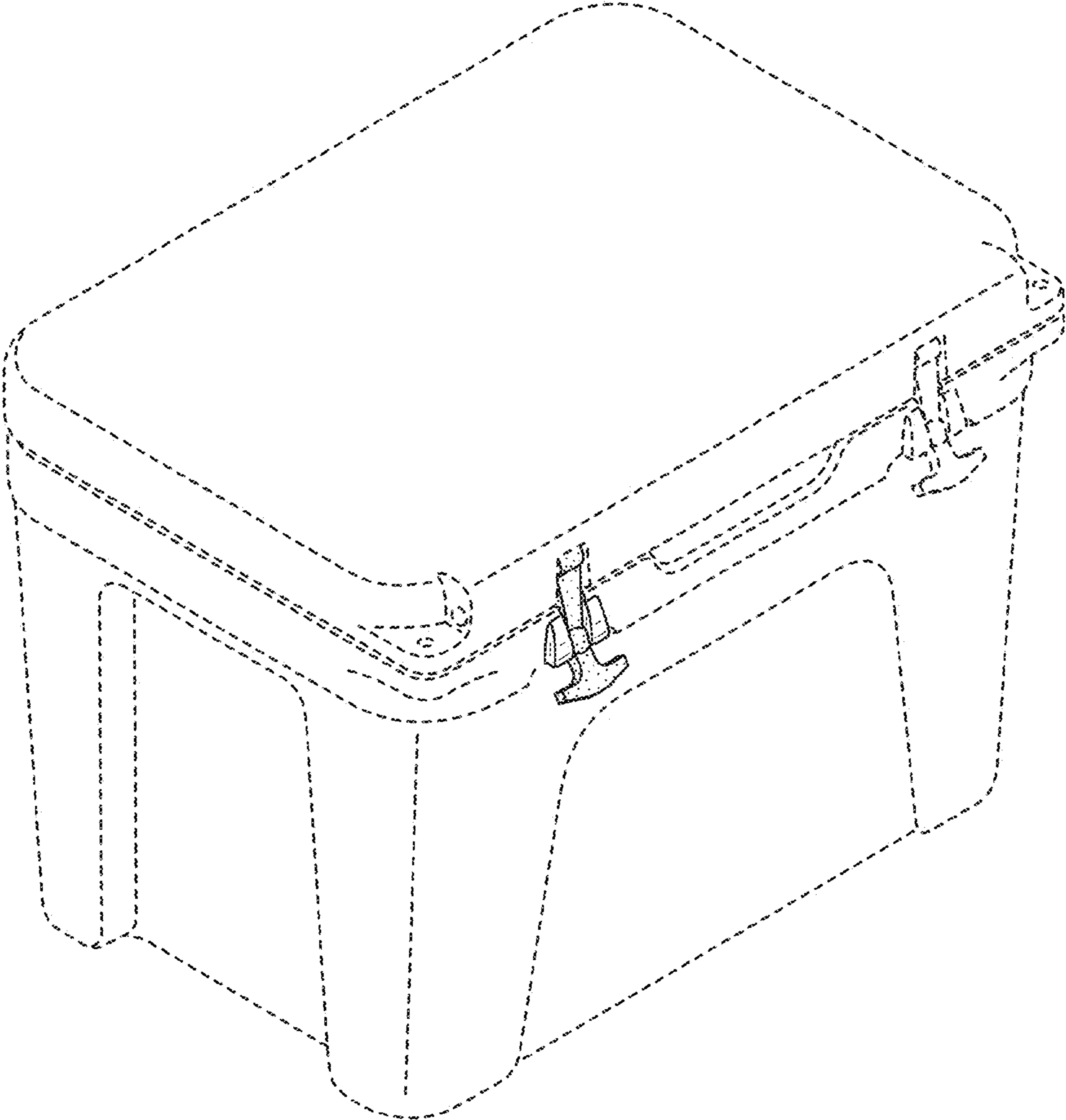


FIG. 1

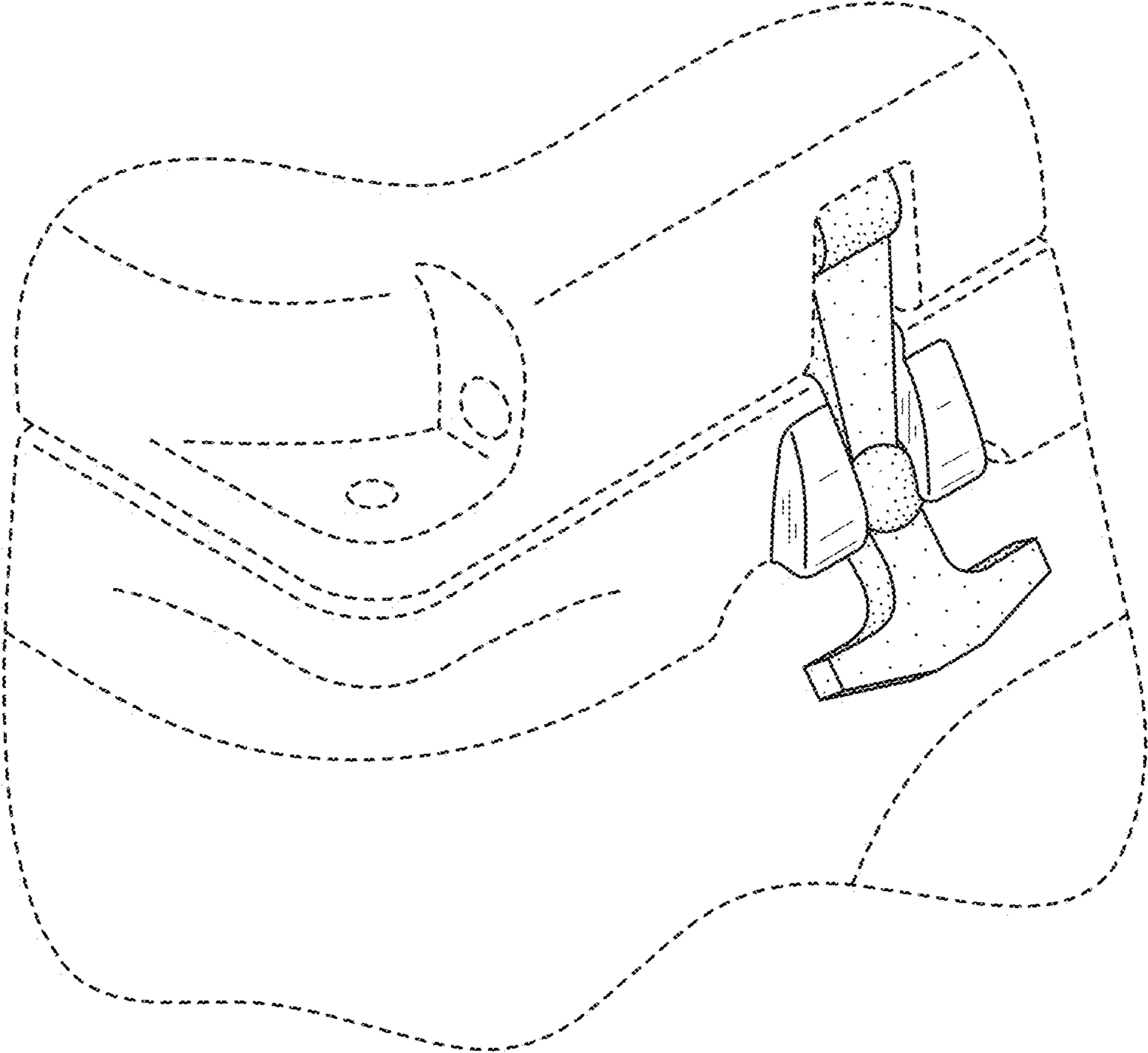


FIG. 2

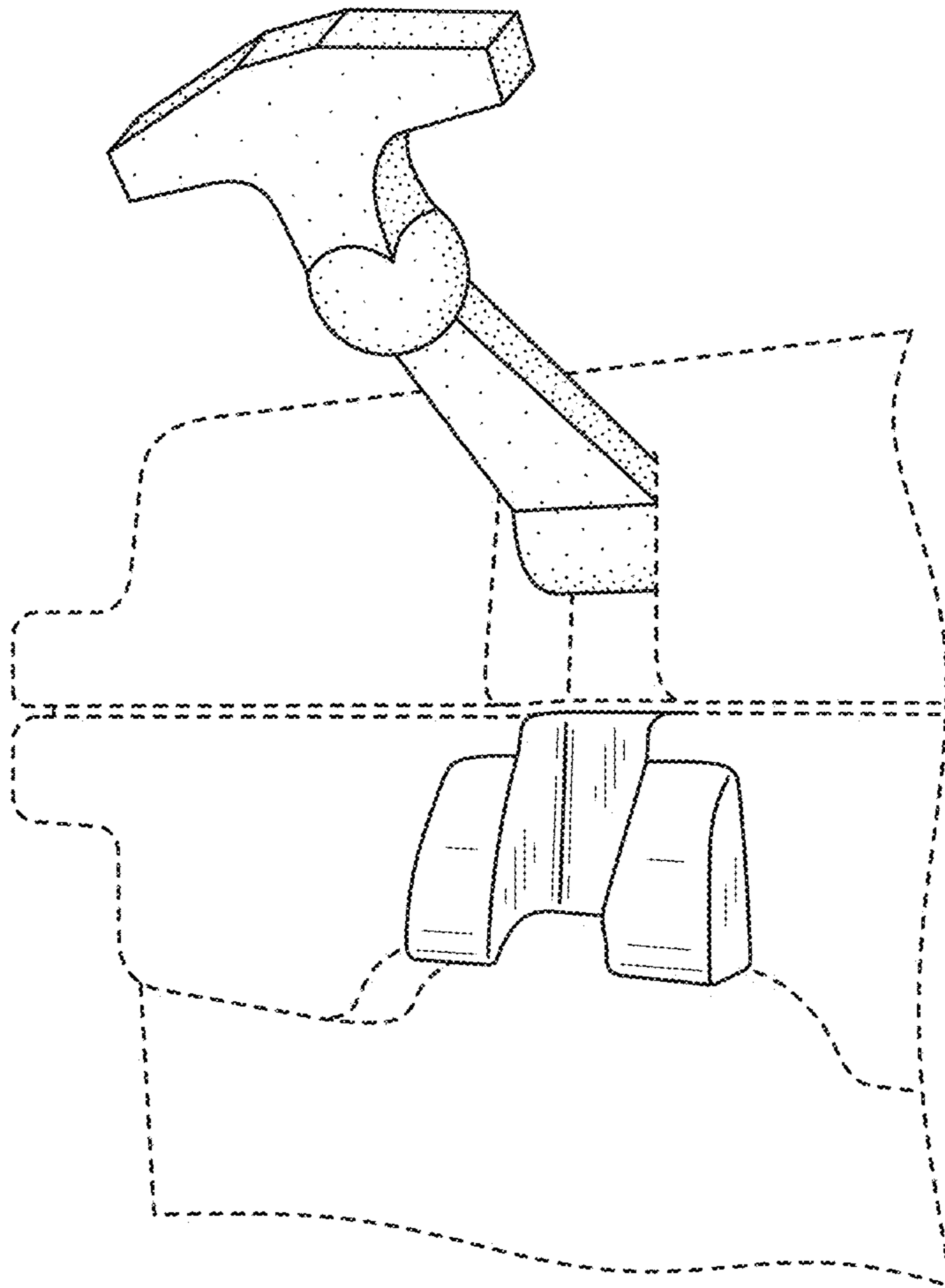


FIG. 3

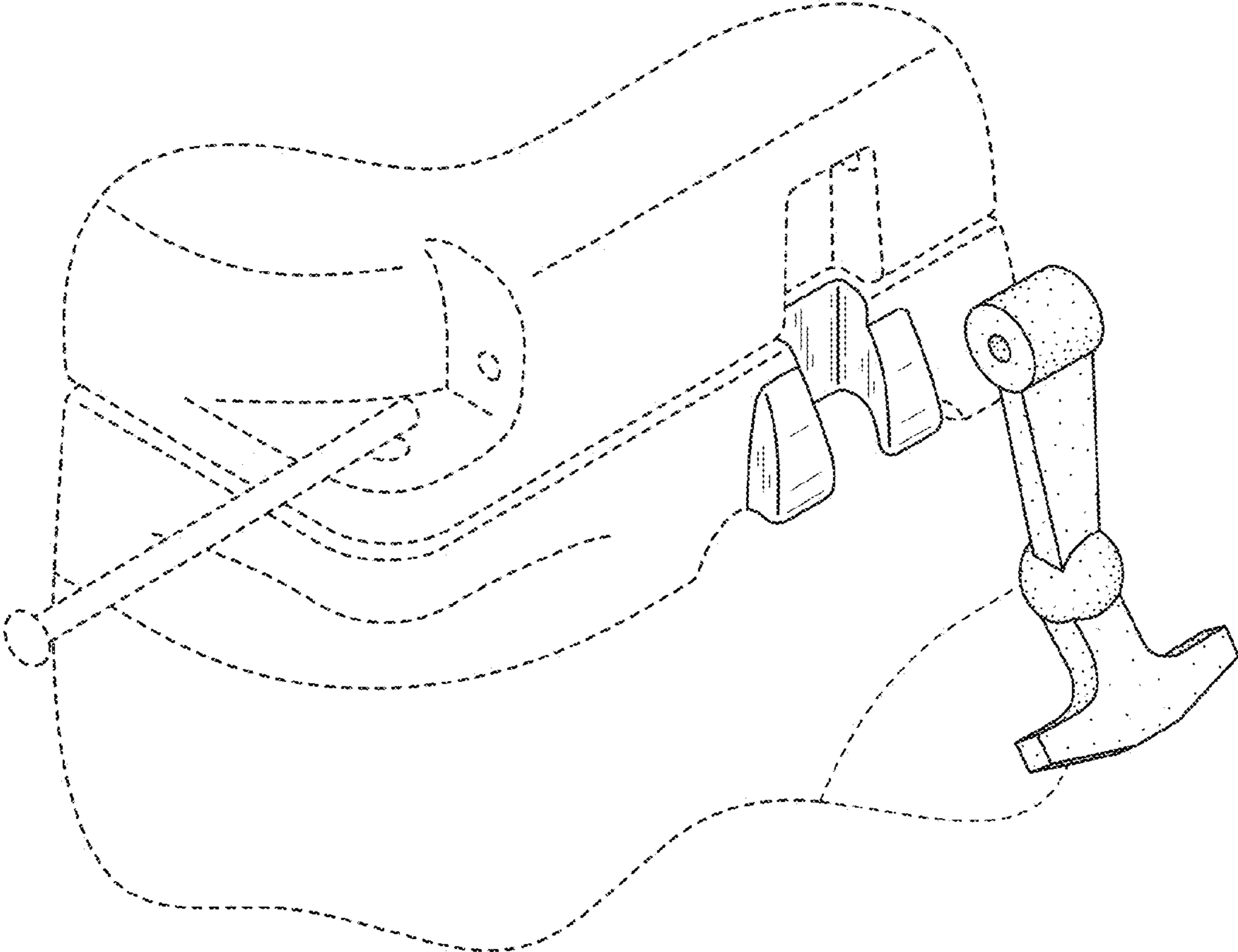


FIG. 4

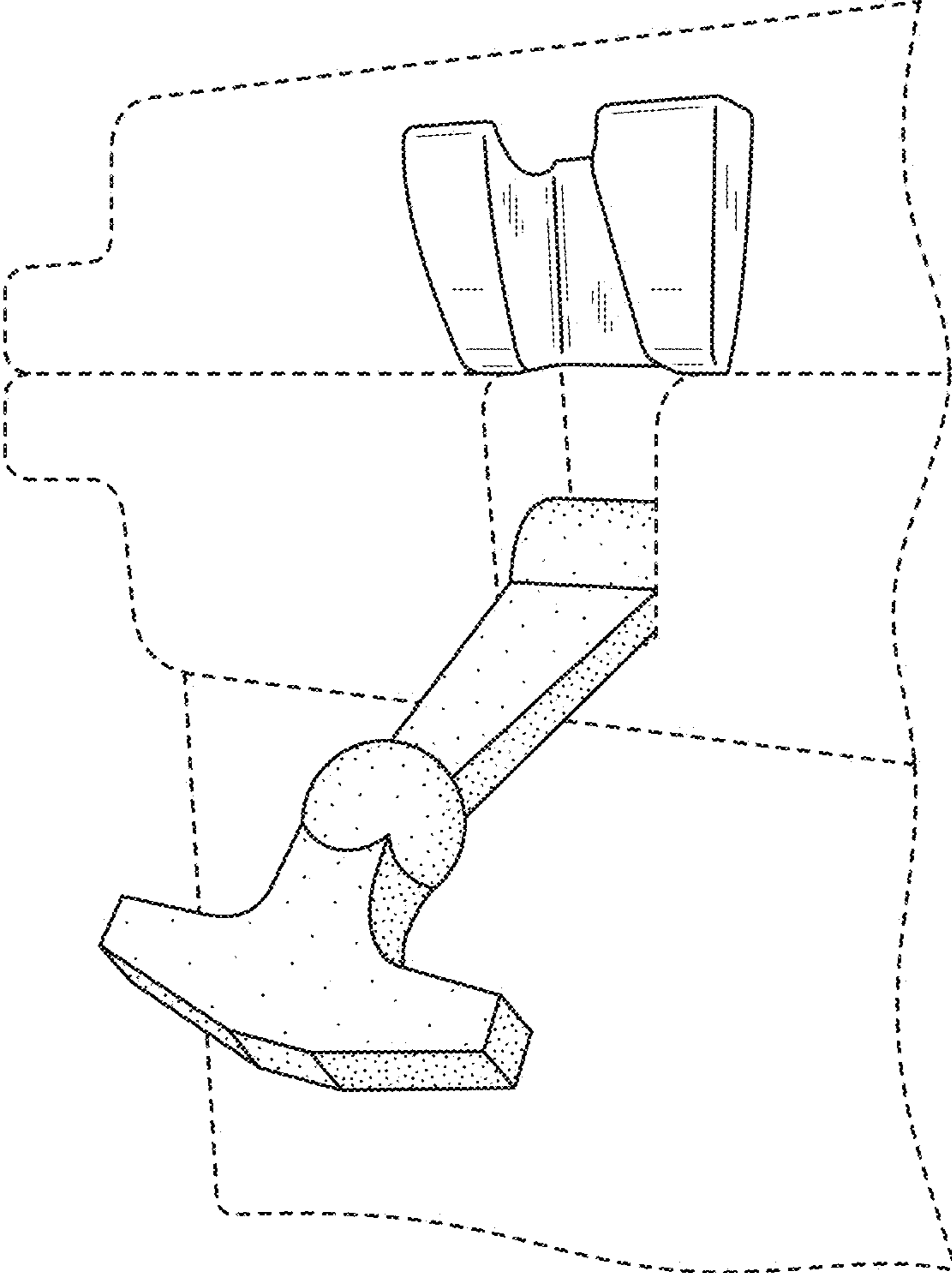


FIG. 5