



US00D714124S

(12) **United States Design Patent**  
**Fujino et al.**

(10) **Patent No.:** **US D714,124 S**

(45) **Date of Patent:** **\*\* Sep. 30, 2014**

(54) **BAG OPENER**

(71) Applicants: **Cheryl R. Fujino**, Los Angeles, CA  
(US); **Nancy N. Fujino**, Los Angeles,  
CA (US)

(72) Inventors: **Cheryl R. Fujino**, Los Angeles, CA  
(US); **Nancy N. Fujino**, Los Angeles,  
CA (US)

(\*\*) Term: **14 Years**

(21) Appl. No.: **29/433,785**

(22) Filed: **Oct. 4, 2012**

(51) **LOC (10) Cl.** ..... **08-03**

(52) **U.S. Cl.**  
USPC ..... **D8/98**

(58) **Field of Classification Search**  
USPC ..... D8/98, 99, 14, 51; 30/278, 280, 294, 2,  
30/162, 329, 339  
See application file for complete search history.

(56) **References Cited**

**U.S. PATENT DOCUMENTS**

D276,786 S \* 12/1984 Chen ..... D8/41  
4,711,031 A \* 12/1987 Anello ..... 30/294

5,007,171 A \* 4/1991 Horning, Jr. .... 30/294  
5,357,679 A \* 10/1994 Hanna ..... 30/294  
D419,417 S \* 1/2000 Kane ..... D8/98  
D476,876 S \* 7/2003 Hall ..... D8/98  
6,658,742 B2 \* 12/2003 Votolato ..... 30/280  
7,073,264 B2 \* 7/2006 Votolato ..... 30/294  
7,730,620 B1 \* 6/2010 Anastasi ..... 30/294

\* cited by examiner

*Primary Examiner* — Phillip S Hyder

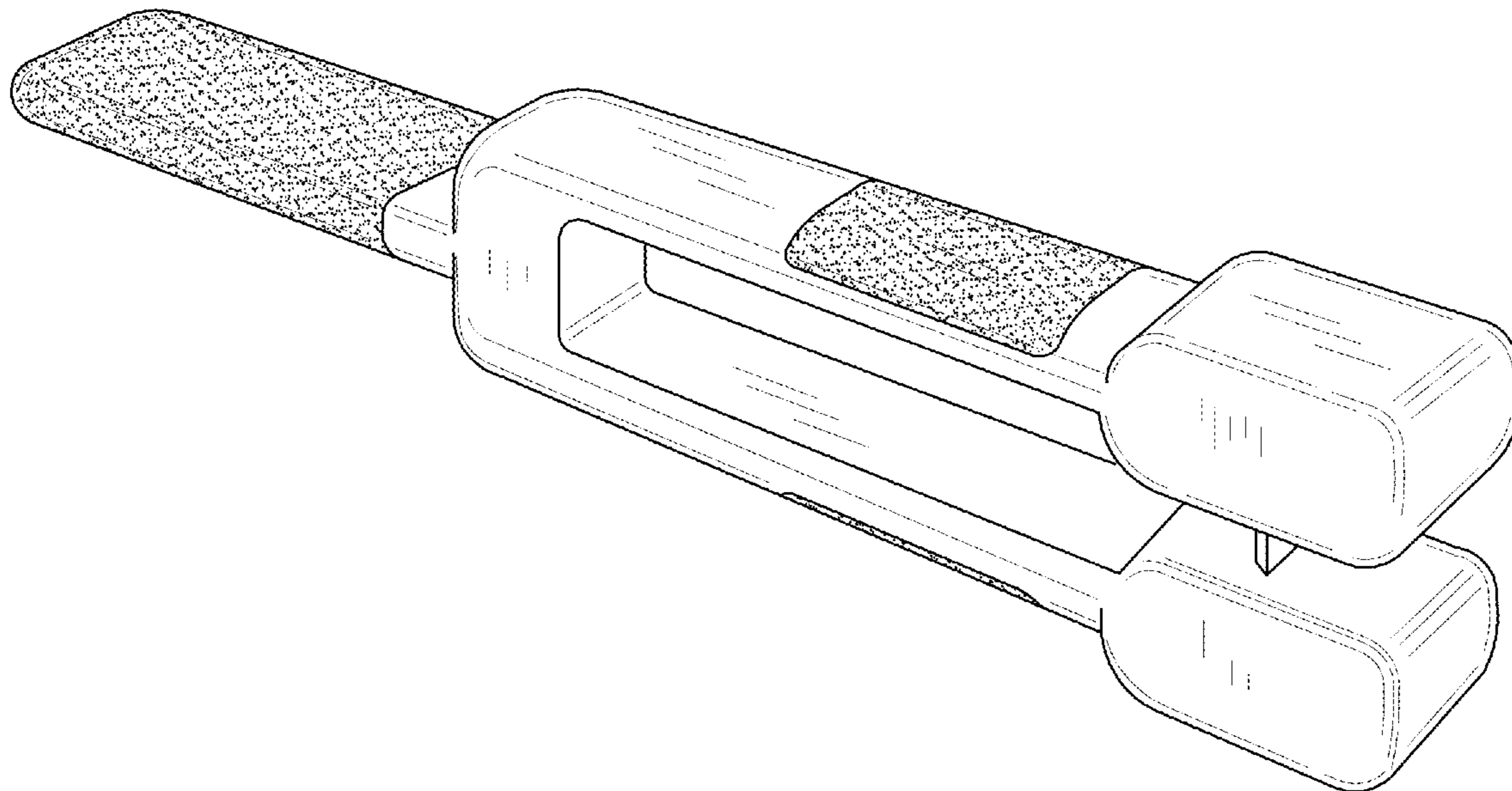
(57) **CLAIM**

The ornamental design for a bag opener, as shown and described.

**DESCRIPTION**

FIG. 1 is a front elevation view of a bag opener showing my new design;  
FIG. 2 is a left side elevation view of the bag opener, a right side elevation view being a mirror image thereof;  
FIG. 3 is a top view of the bag opener;  
FIG. 4 is a bottom view of the bag opener; and,  
FIG. 5 is a bottom perspective view of the bag opener.

**1 Claim, 3 Drawing Sheets**



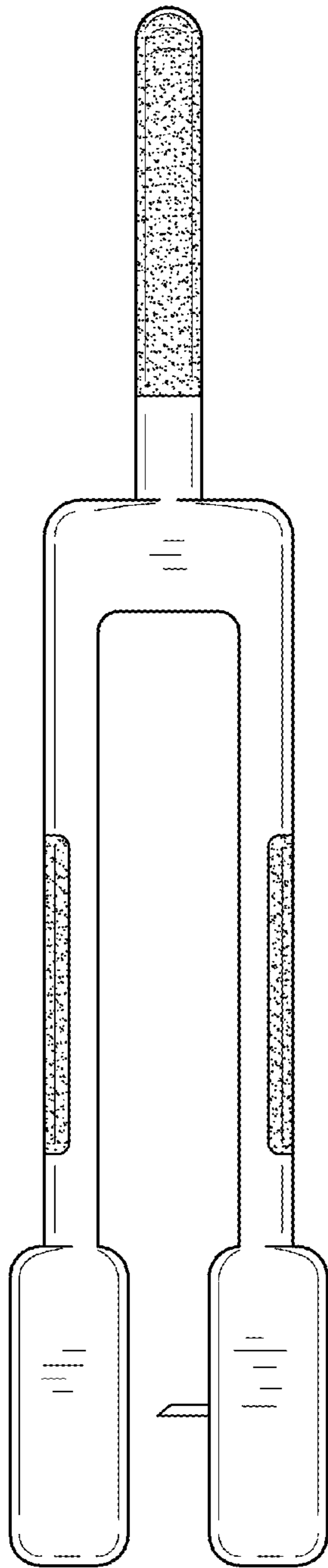


FIG. 1

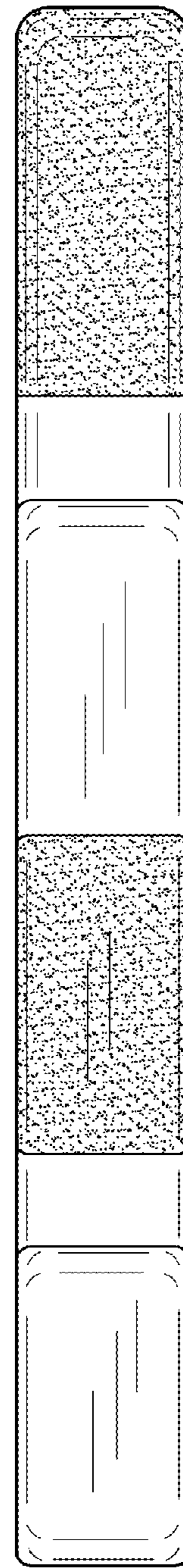


FIG. 2

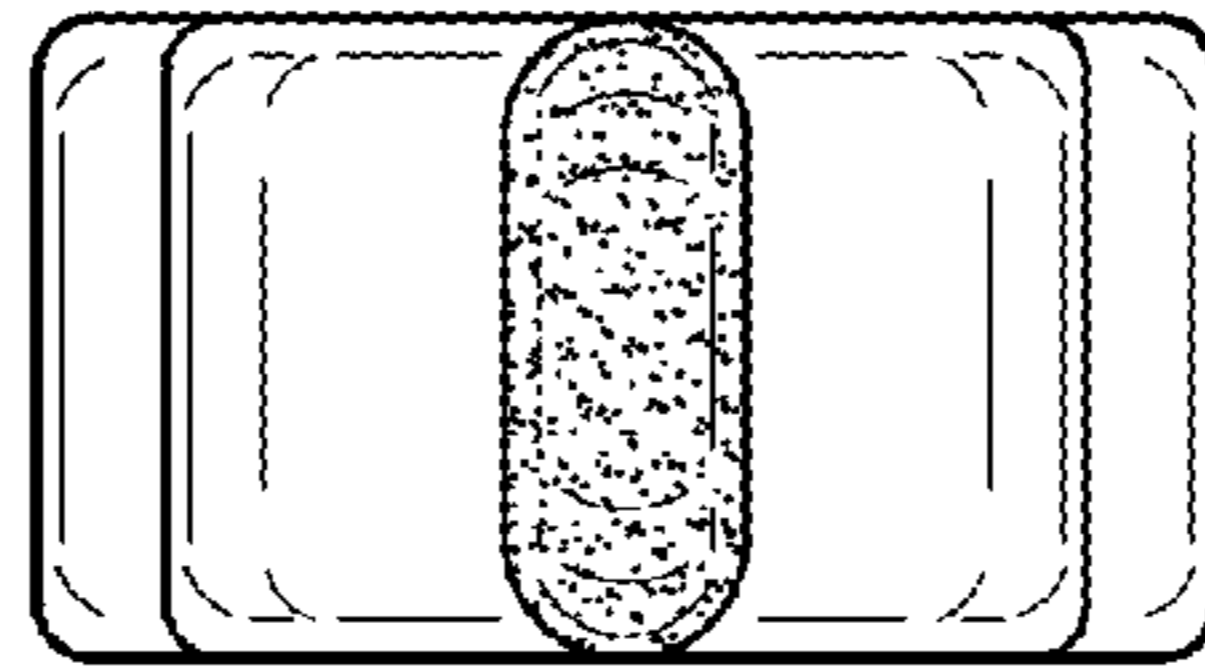


FIG. 3

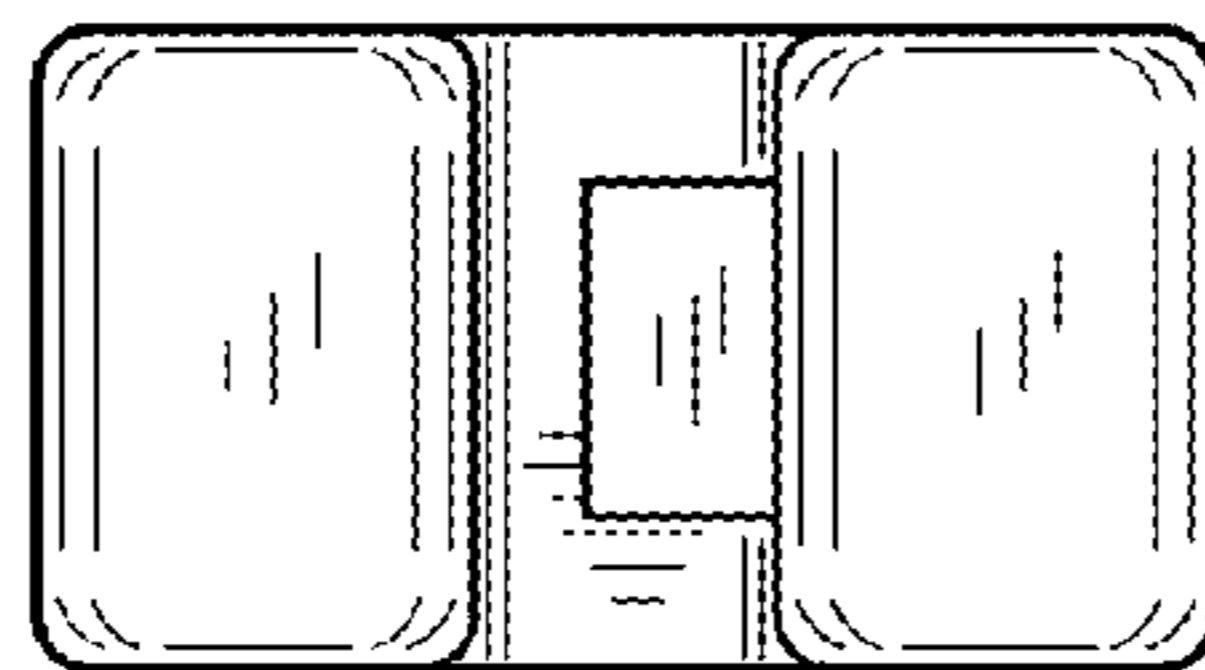


FIG. 4

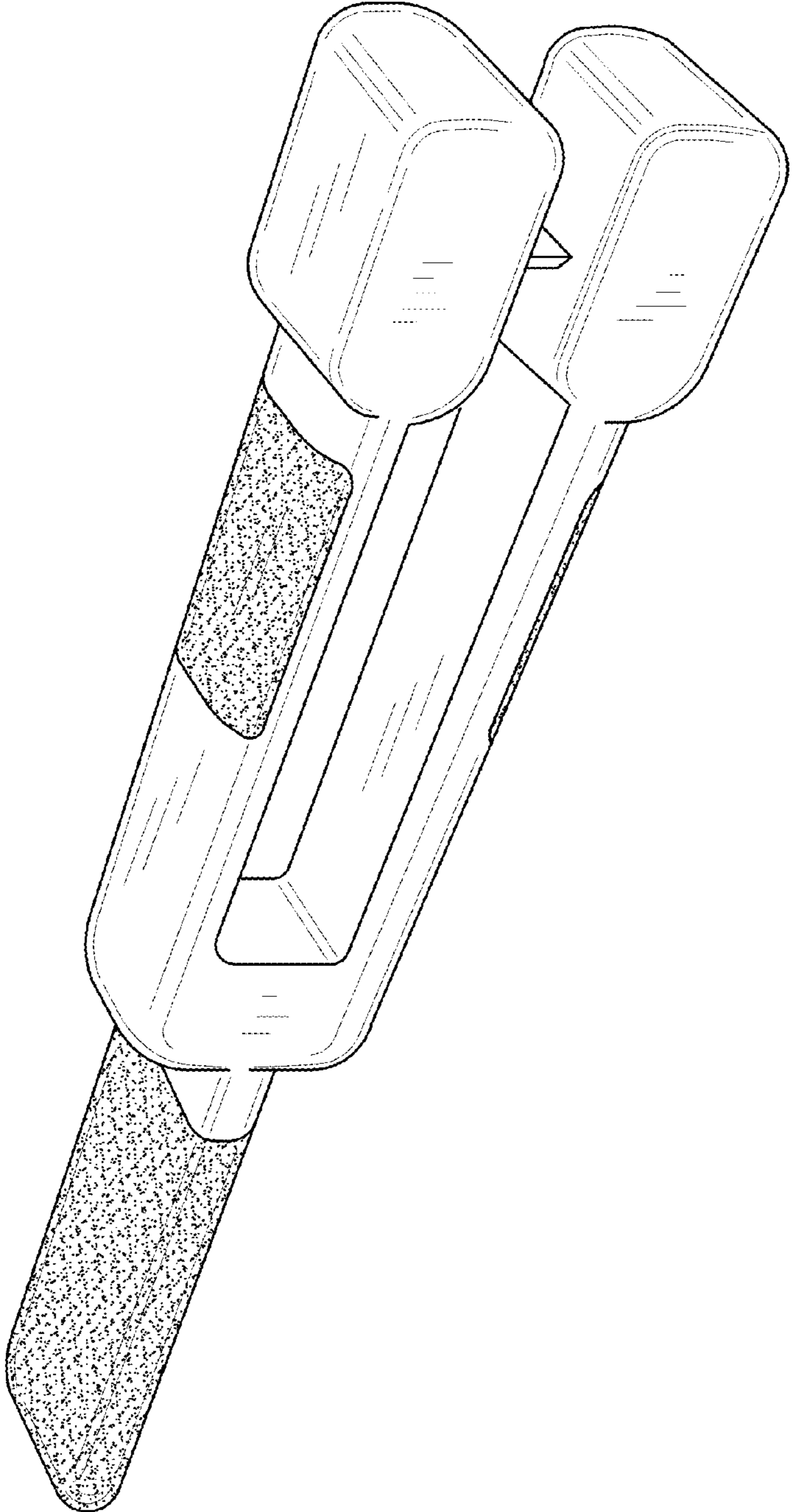


FIG. 5