



US00D714121S

(12) **United States Design Patent**
Suter

(10) **Patent No.:** **US D714,121 S**

(45) **Date of Patent:** **** *Sep. 30, 2014**

(54) **MULTI-BIT RATCHET SCREWDRIVER**

(76) Inventor: **Robert Lee Suter**, Cache Creek (CA)

(*) Notice: This patent is subject to a terminal disclaimer.

(**) Term: **14 Years**

(21) Appl. No.: **29/391,201**

(22) Filed: **May 4, 2011**

(51) **LOC (10) Cl.** **08-04**

(52) **U.S. Cl.**

USPC **D8/85**

(58) **Field of Classification Search**

USPC D8/21, 25, 29, 82-87, 107; 81/52,
81/177.1-177.4, 177.7, 489-491

See application file for complete search history.

(56) **References Cited**

U.S. PATENT DOCUMENTS

4,924,733	A *	5/1990	McKenzie	81/438
D363,868	S *	11/1995	Israel et al.	D8/83
6,327,942	B1 *	12/2001	Mariol et al.	81/177.4
6,332,384	B1 *	12/2001	Cluthe	81/490
D535,170	S *	1/2007	Caplan	D8/82
D535,540	S *	1/2007	Caplan	D8/82
7,938,045	B2 *	5/2011	Itoh	81/439

OTHER PUBLICATIONS

Lutz Ratchet Screwdriver 15-In One. Snagged Aug. 9, 2012 at <http://www.penntoolco.com/catalog/products/products.cfm?categoryID=6227>.
Publication, http://buy1.snapon.com/catalog/item_Lg.asp?picFile=/59100/59097.JPG, Aug. 4, 2011.

* cited by examiner

Primary Examiner — Philip S Hyder

Assistant Examiner — Roselynn Cody

(74) *Attorney, Agent, or Firm* — Smiths IP

(57) **CLAIM**

The ornamental design for a multi-bit ratchet screwdriver, as shown and described.

DESCRIPTION

FIG. 1 is a front perspective view of a multi-bit ratchet screwdriver according to the present invention illustrating the top, front, and right sides of the multi-bit ratchet screwdriver. The left side of the multi-bit ratchet screwdriver is a mirror image of the right side as illustrated.

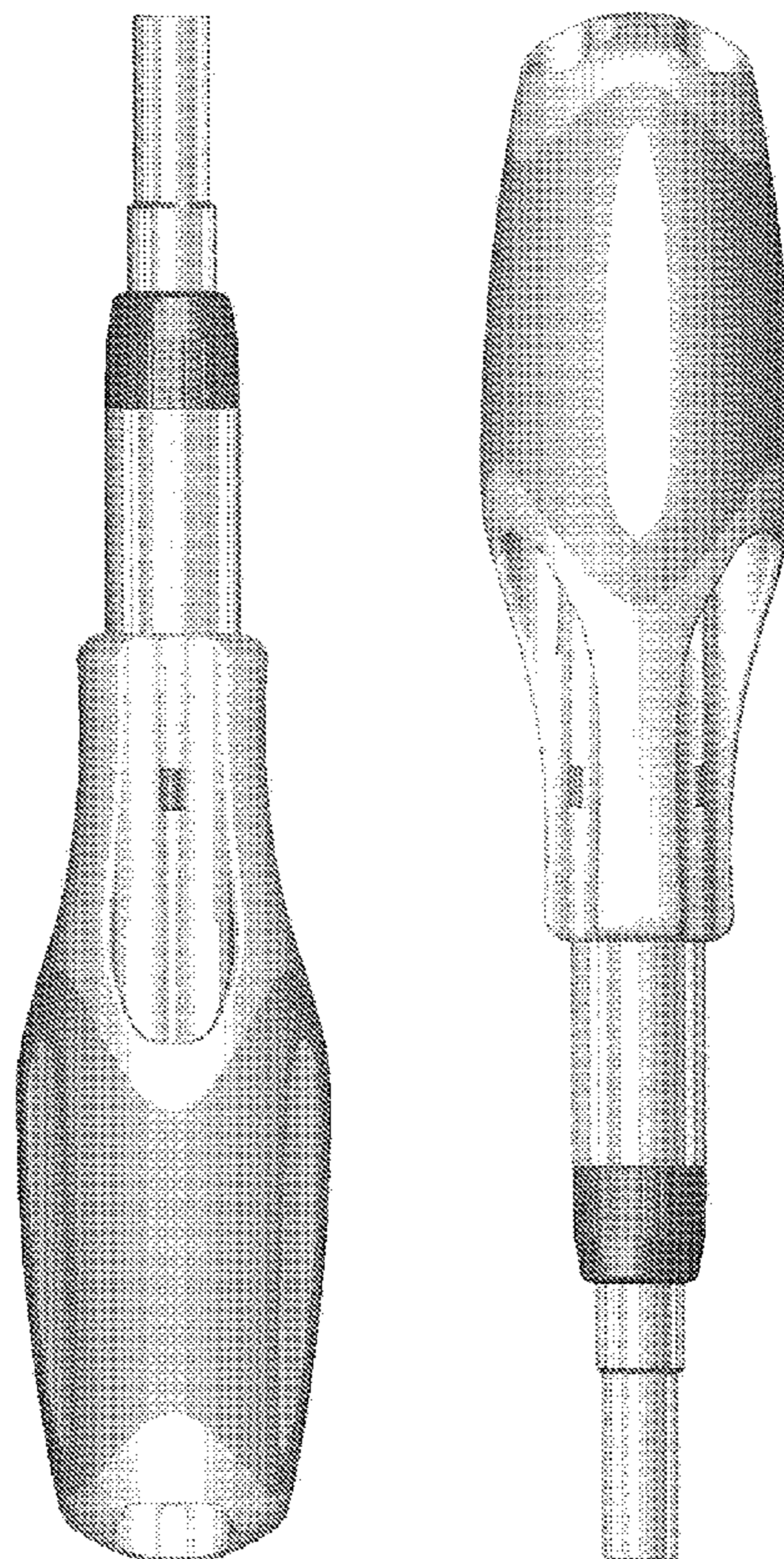
FIG. 2 is a front elevation view of the multi-bit ratchet screwdriver of FIG. 1.

FIG. 3 is a rear elevation view of the multi-bit ratchet screwdriver of FIG. 1.

FIG. 4 is a bottom plan view of the multi-bit ratchet screwdriver of FIG. 1; and,

FIG. 5 is a top plan view of the multi-bit ratchet screwdriver of FIG. 1.

1 Claim, 5 Drawing Sheets



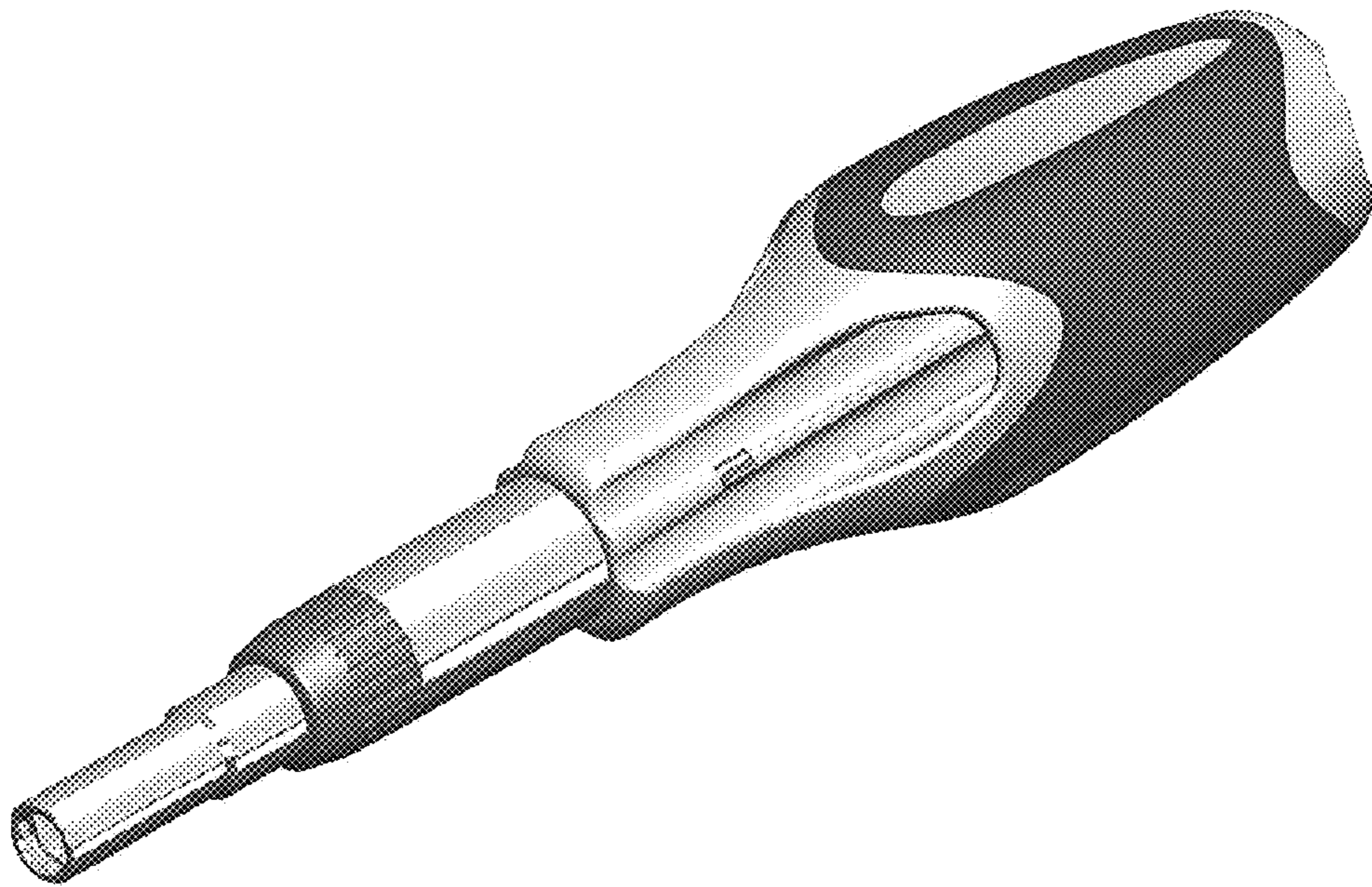


Figure 1

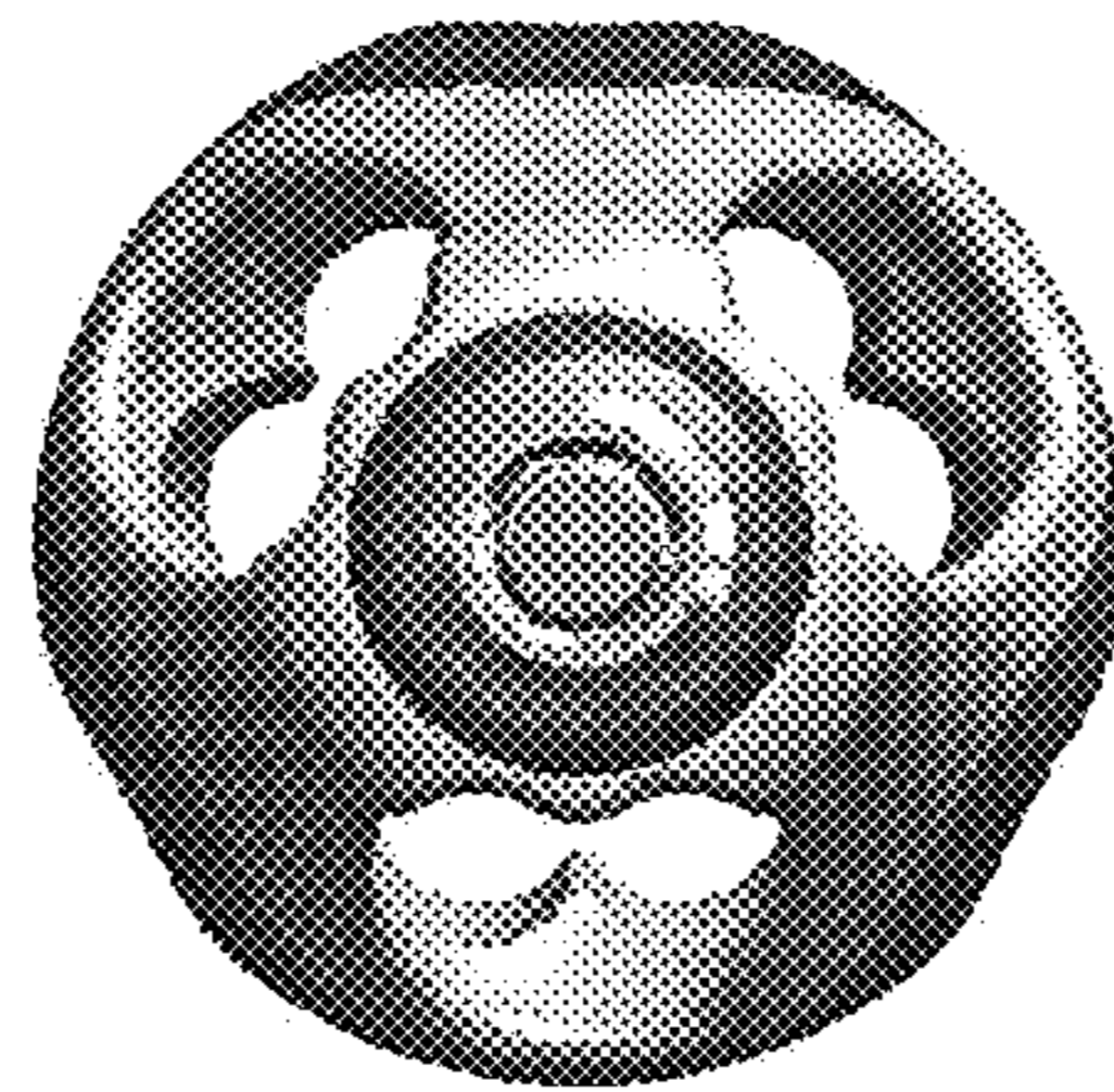


Figure 2

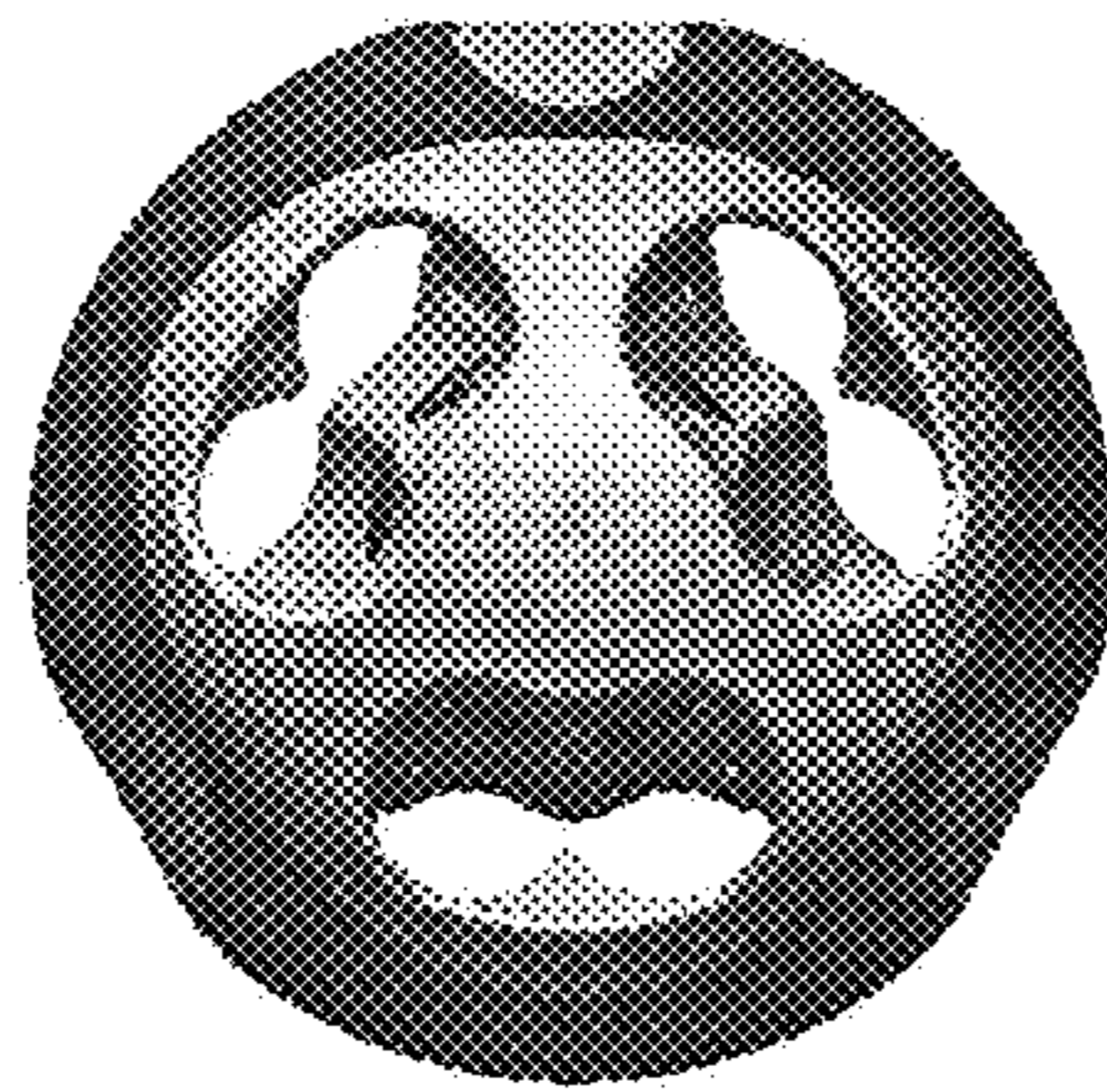


Figure 3

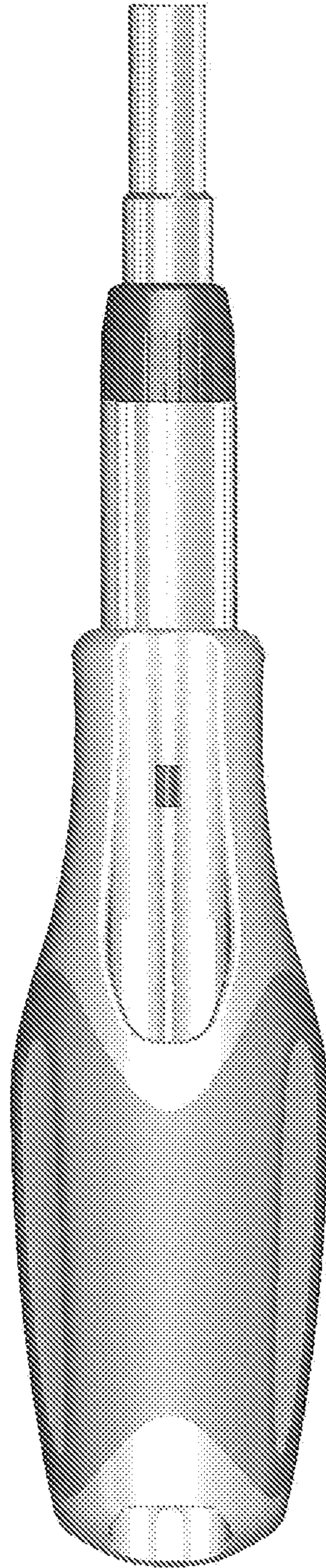


Figure 4

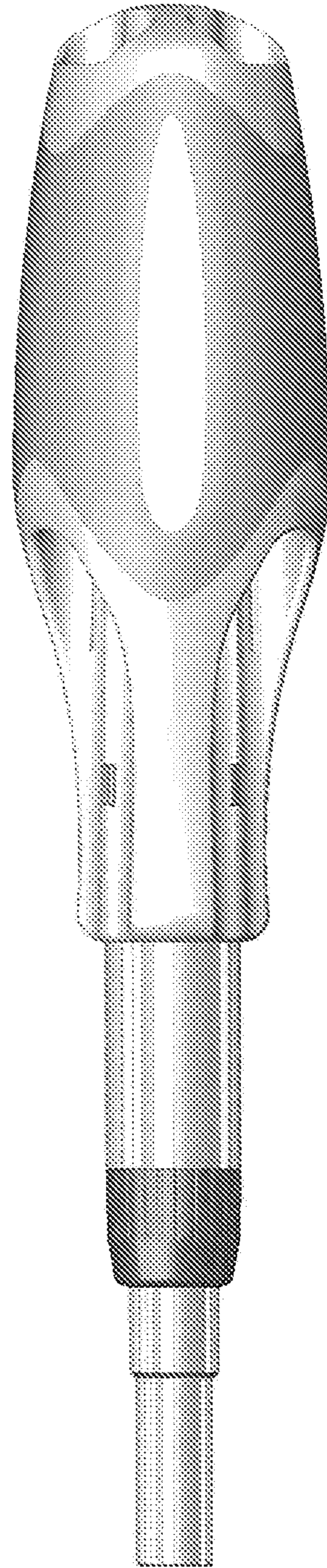


Figure 5