



US00D714119S

(12) **United States Design Patent**
Graber

(10) **Patent No.:** **US D714,119 S**

(45) **Date of Patent:** **** *Sep. 30, 2014**

(54) **SAW ARBOR**

DESCRIPTION

(76) Inventor: **Mahlon J. Graber**, Crofton, KY (US)

(*) Notice: This patent is subject to a terminal disclaimer.

(**) Term: **14 Years**

(21) Appl. No.: **29/421,574**

(22) Filed: **Aug. 17, 2012**

(51) **LOC (10) Cl.** **08-03**

(52) **U.S. Cl.**
USPC **D8/70**

(58) **Field of Classification Search**

USPC D8/70; D15/130, 131, 132, 133, 138,
D15/139, 140; 29/244; 81/436, 451-457,
81/460; 411/29, 34, 37, 38, 340, 341, 342,
411/344, 345, 346, 347; 7/165; 279/76,
279/143; 408/143

See application file for complete search history.

(56) **References Cited**

U.S. PATENT DOCUMENTS

2,846,826 A * 8/1958 Miller 451/342
3,647,310 A * 3/1972 Morse 408/239 R
3,783,729 A * 1/1974 Parr 83/666

(Continued)

Primary Examiner — Philip S Hyder

Assistant Examiner — Darlington Ly

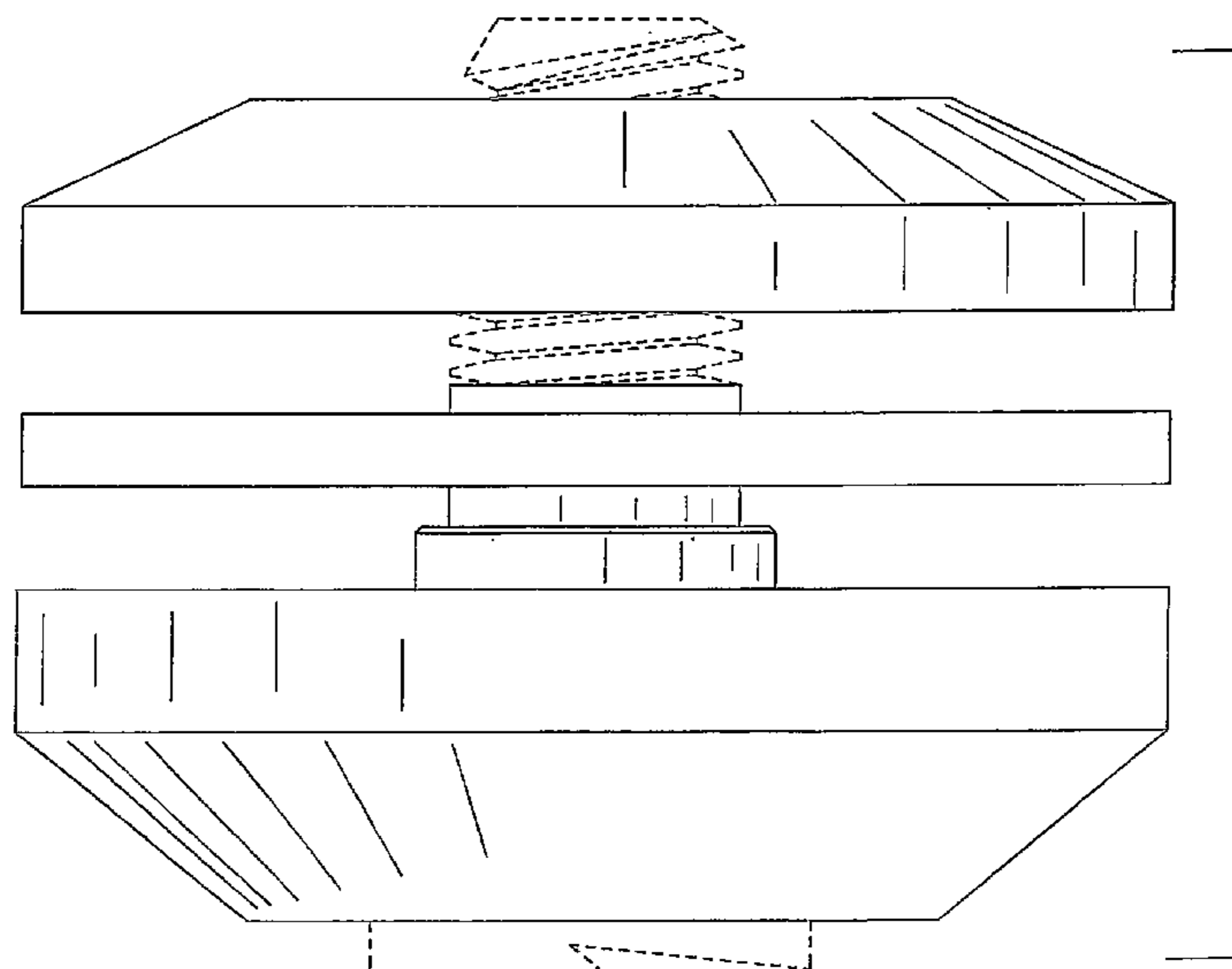
(74) *Attorney, Agent, or Firm* — Stephen J. Stark; Miller & Martin PLLC

(57) **CLAIM**

The ornamental design for a saw arbor, as shown and described.

FIG. 1 is a top plan view of a first element of the saw arbor. FIG. 2 is a right side view thereof, wherein the left side view, the front view, and the back view are identical; FIG. 3 is a right side cross-sectional view thereof, wherein a broken line denoted by section cut 3-3 is referenced in FIG. 4; FIG. 4 is a bottom view thereof; FIG. 5 is a right side view of the second element of the saw arbor, wherein the left side view, the front view, and the back view are identical. FIG. 6 is a top plan view thereof; FIG. 7 is a bottom view thereof; FIG. 8 is a top perspective view thereof; FIG. 9 is a bottom view of the third element of the saw arbor. FIG. 10 is a top plan view thereof; FIG. 11 is a left side view thereof, wherein the left side view, the front view, and the back view are identical. FIG. 12 is a cross sectional view thereof, wherein a broken line denoted by section cut 12-12 is referenced in FIG. 10. FIG. 13 is a cross-sectional view thereof, wherein a broken line denoted by section cut 13-13 is referenced in FIG. 10. FIG. 14 is a cross-sectional view thereof, wherein a broken line denoted by section cut 14-14 is referenced in FIG. 10. FIG. 15 is a cross-sectional view thereof, wherein a broken line denoted by section cut 15-15 is referenced in FIG. 10. FIG. 16 is a side view of the saw arbor fully assembled with the three elements. FIG. 17 is an exploded side perspective view thereof; and, FIG. 18 is an exploded side view thereof. The break lines shown in broken lines illustrate portions of the article that are not shown; however, the portion that is left out does not have any feature that is unique and is adequately encompassed in corresponding views. All other broken lines shown in the drawings illustrate portions of the saw arbor that forms no part of claimed design.

1 Claim, 14 Drawing Sheets



(56)

References Cited

U.S. PATENT DOCUMENTS

5,413,437 A * 5/1995 Bristow 408/1 R
5,658,102 A * 8/1997 Gale 408/1 R
7,175,372 B2 * 2/2007 Davis 408/204
7,506,877 B1 * 3/2009 Henderson et al. 279/76

D605,921 S * 12/2009 Cowan D8/70
D610,430 S * 2/2010 Fritz et al. D8/70
D623,034 S * 9/2010 Evatt et al. D8/70
D633,769 S * 3/2011 Evatt et al. D8/70
D635,429 S * 4/2011 Hakki D8/70
2010/0320829 A1 * 12/2010 Sollami 299/106

* cited by examiner

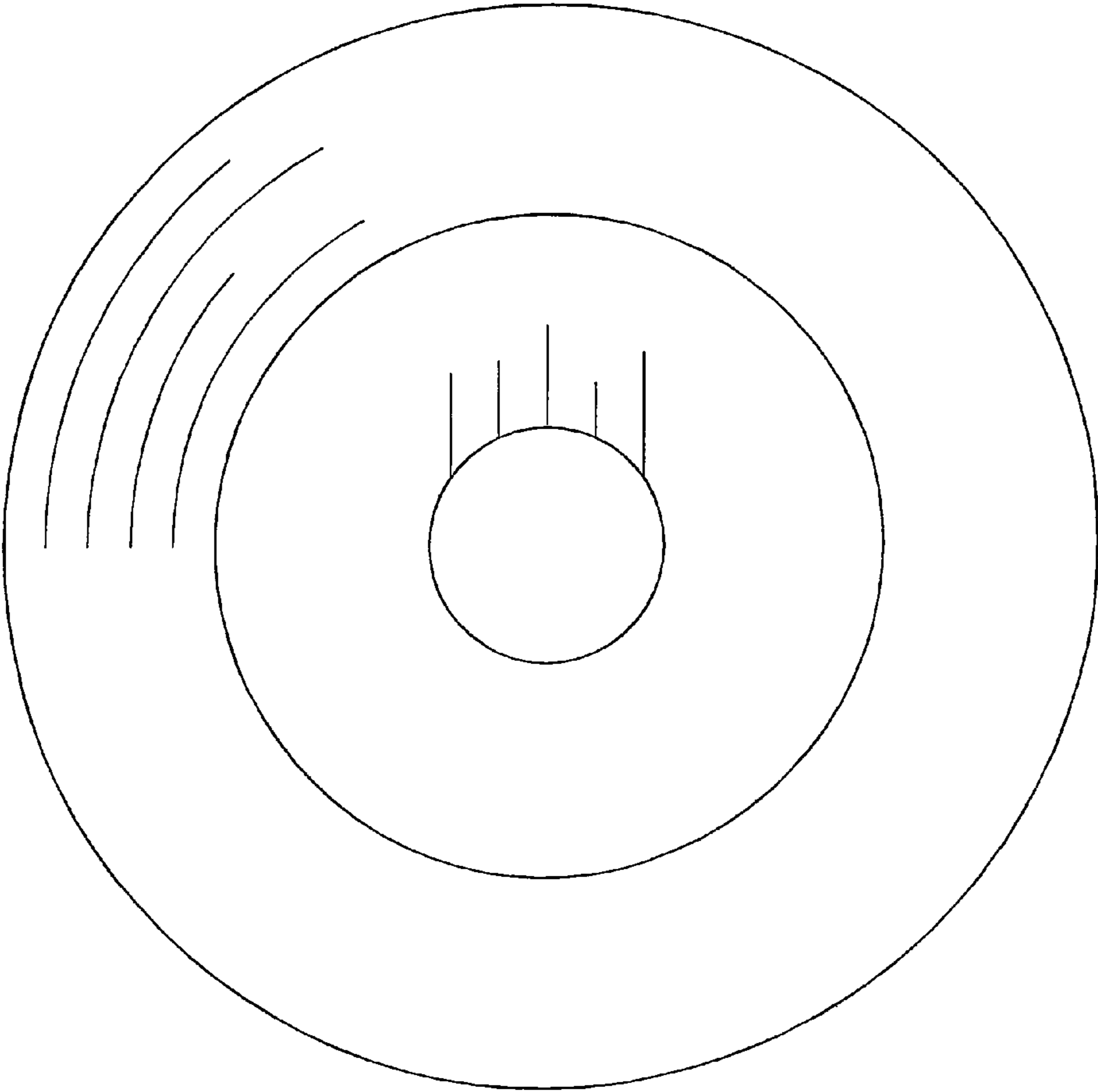


FIG. 1

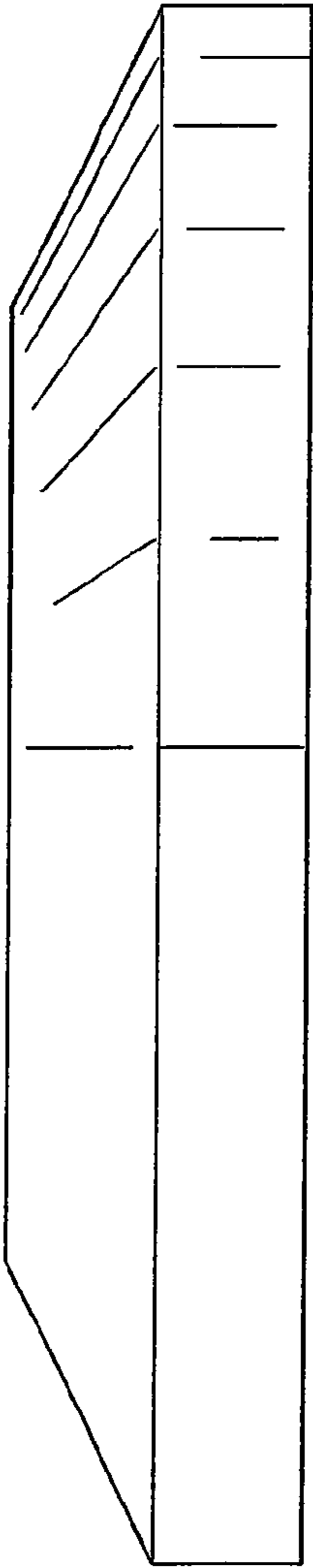


FIG. 2

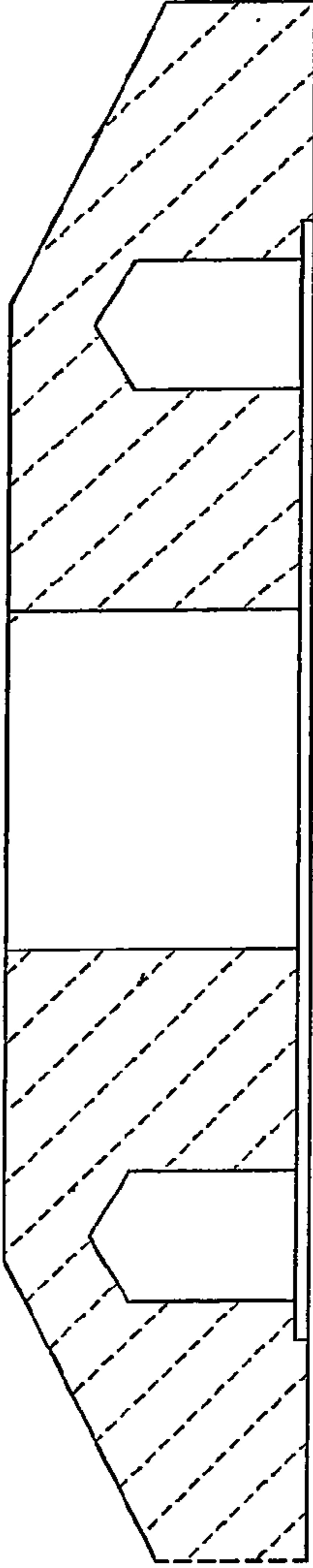


FIG. 3

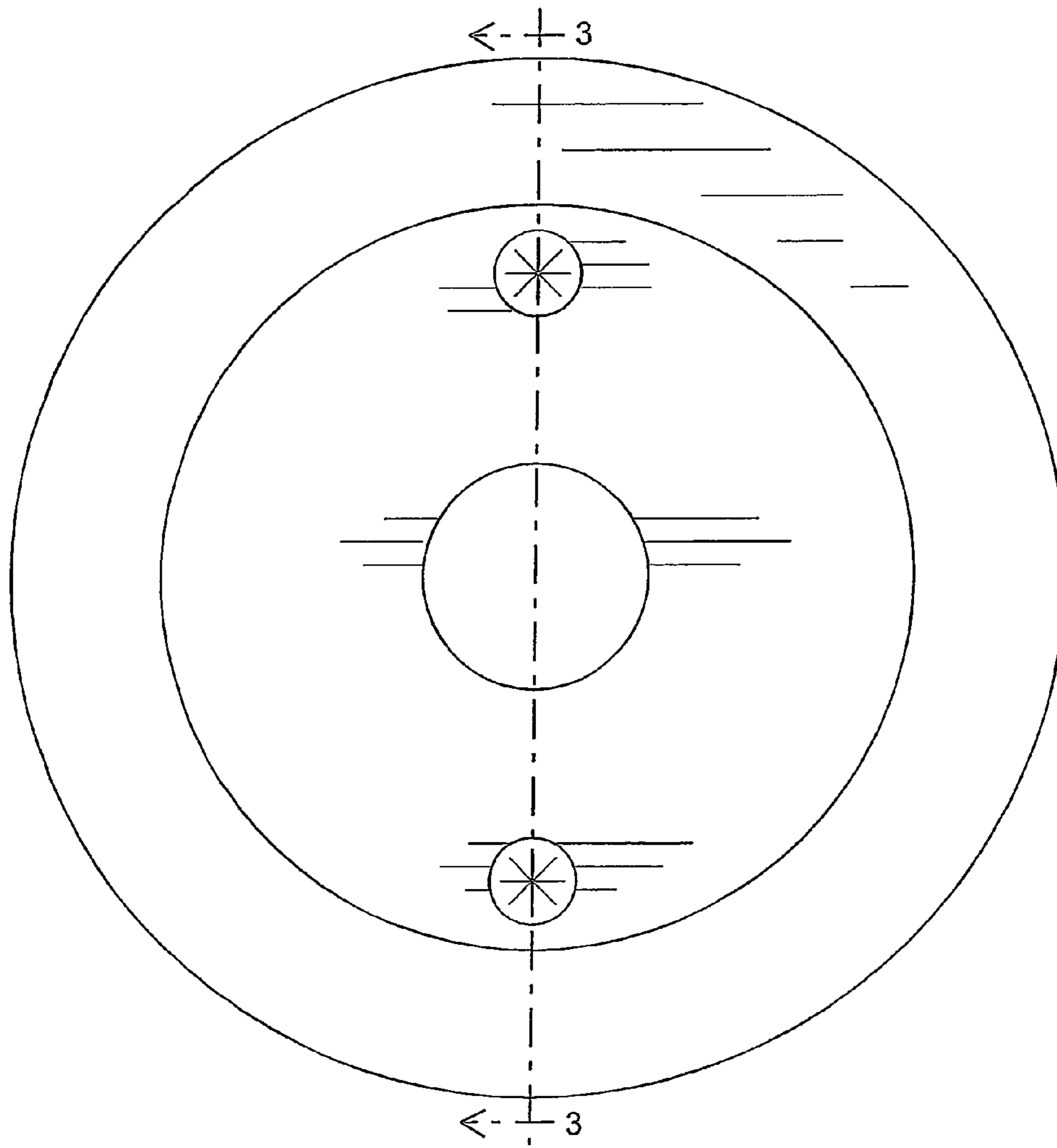


Fig. 4

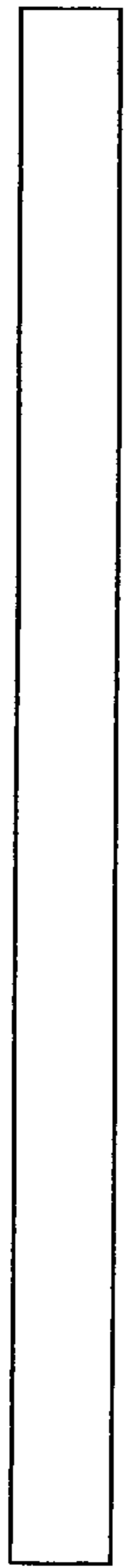


FIG. 5

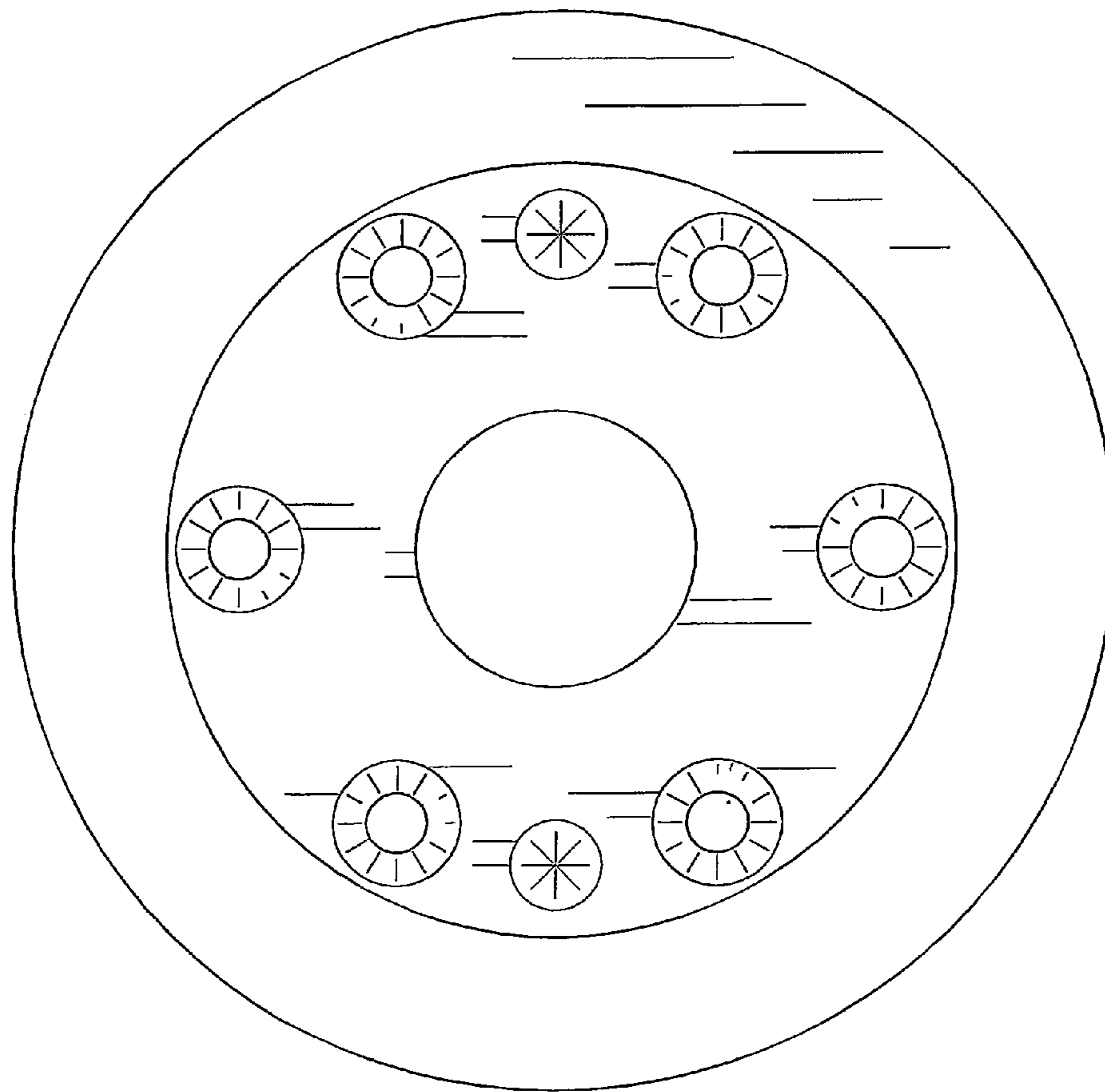


FIG. 6

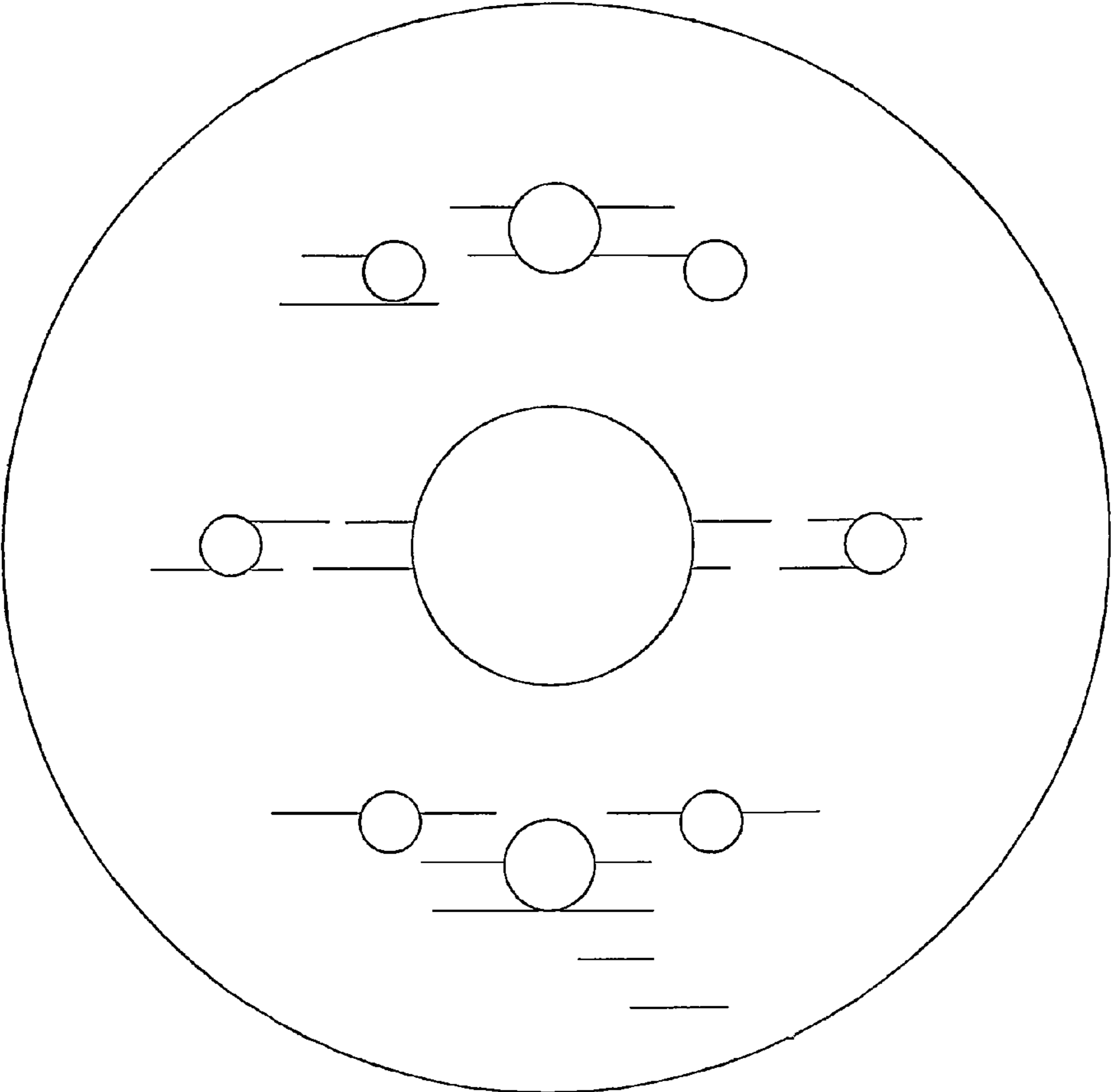


FIG. 7

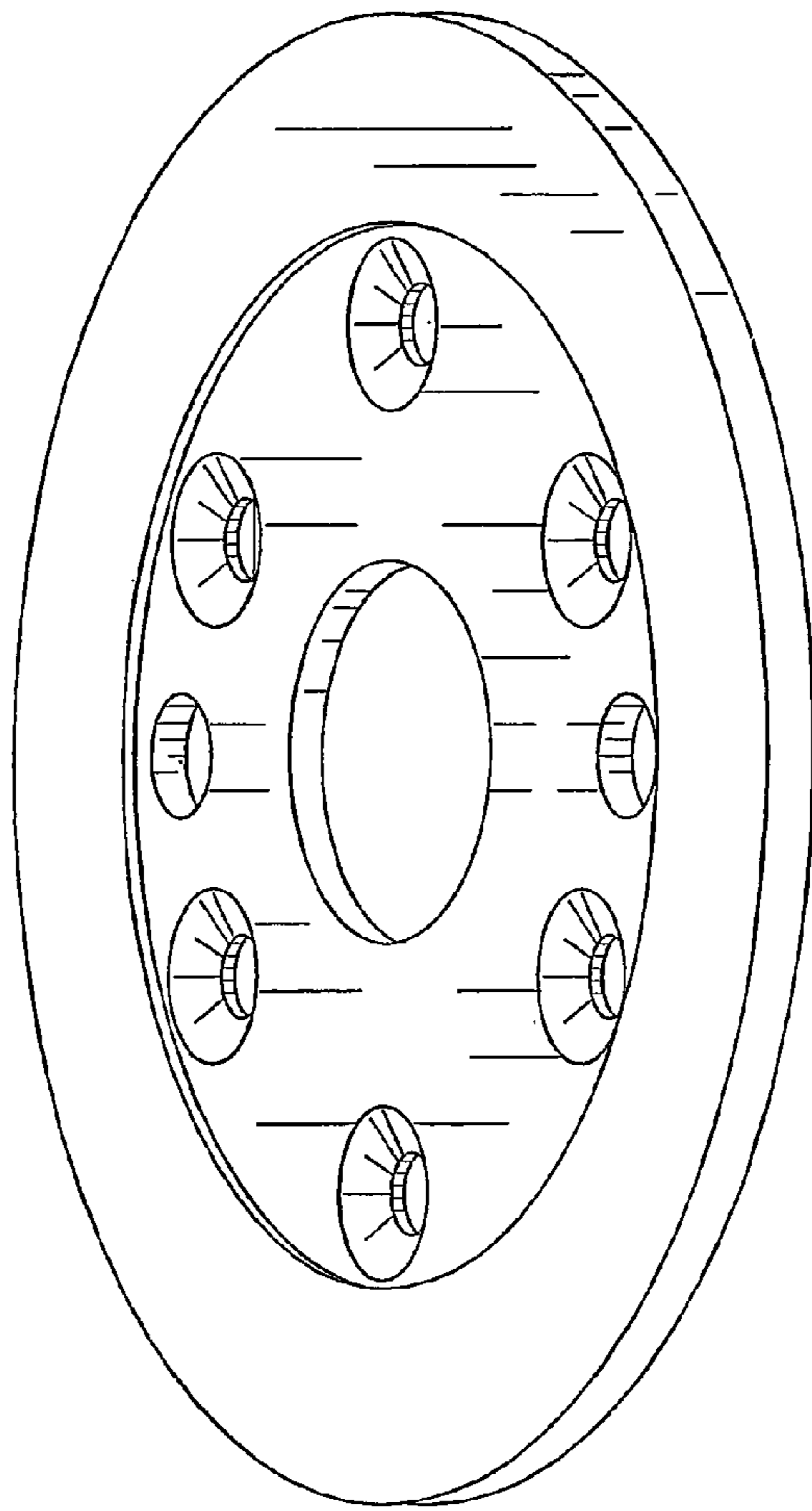


FIG. 8

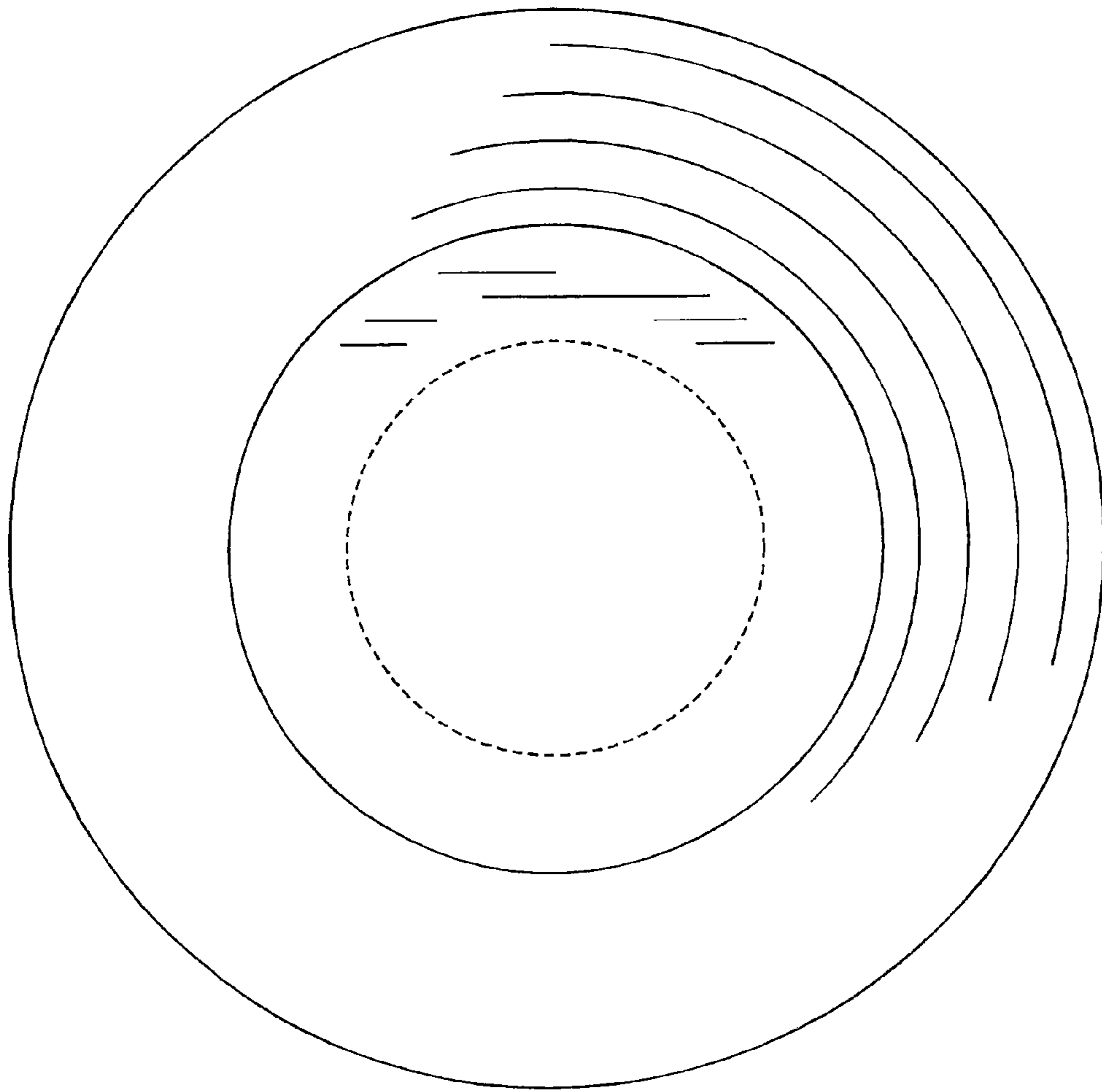


FIG. 9

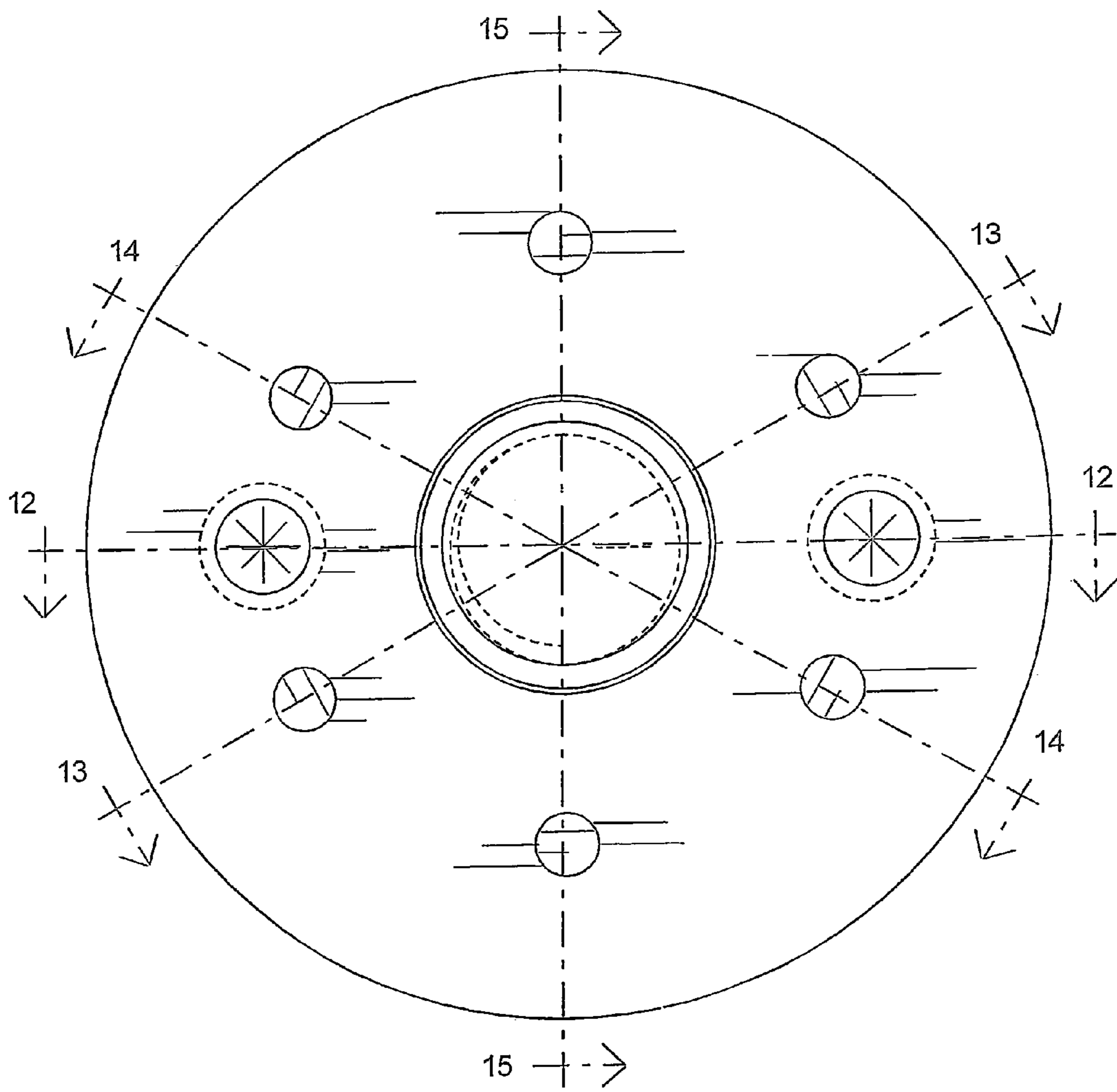


FIG. 10

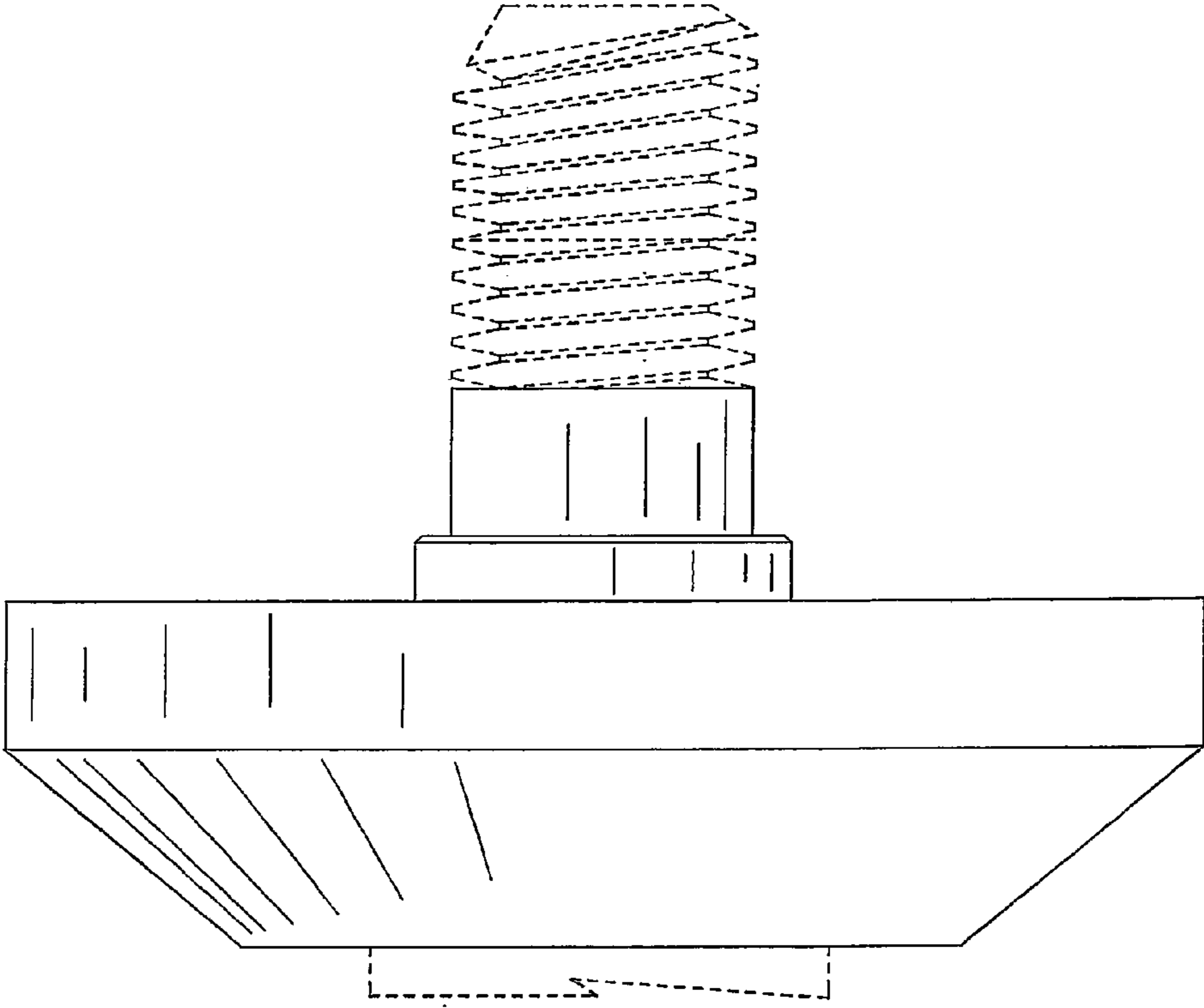


FIG. 11

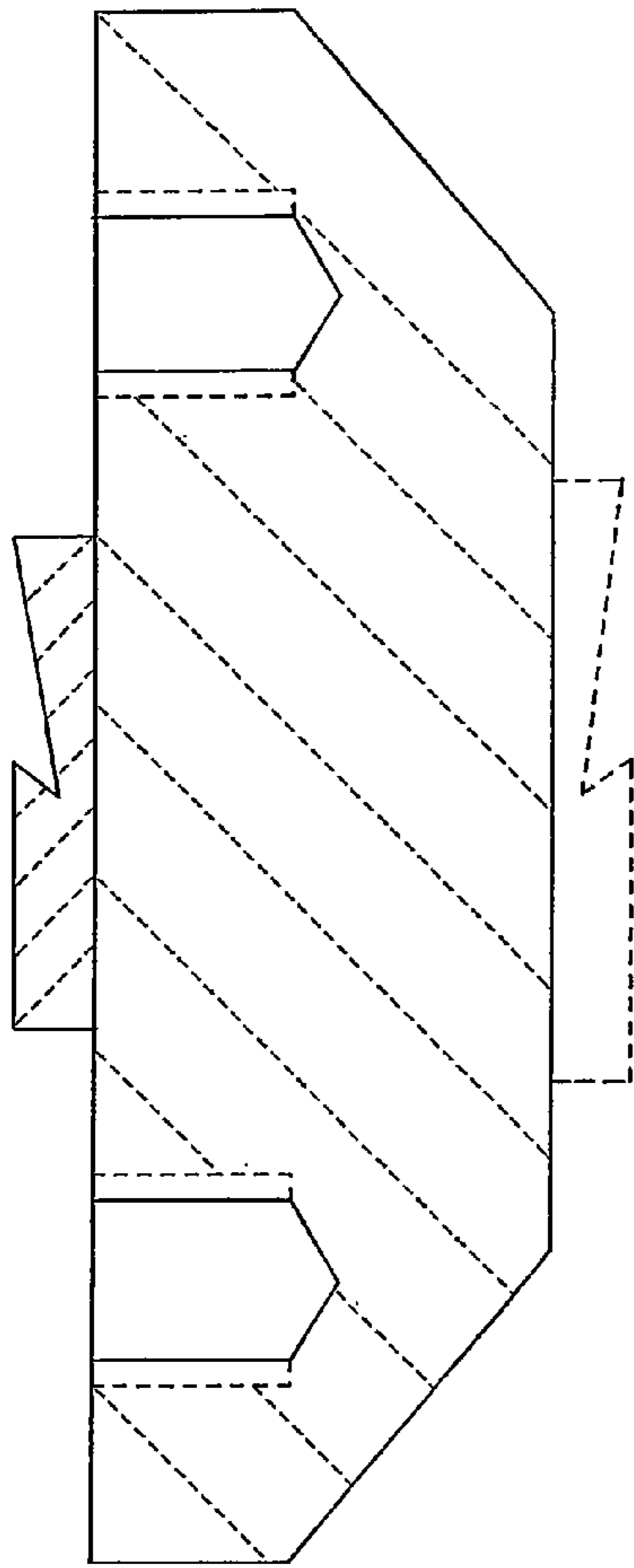


FIG. 12

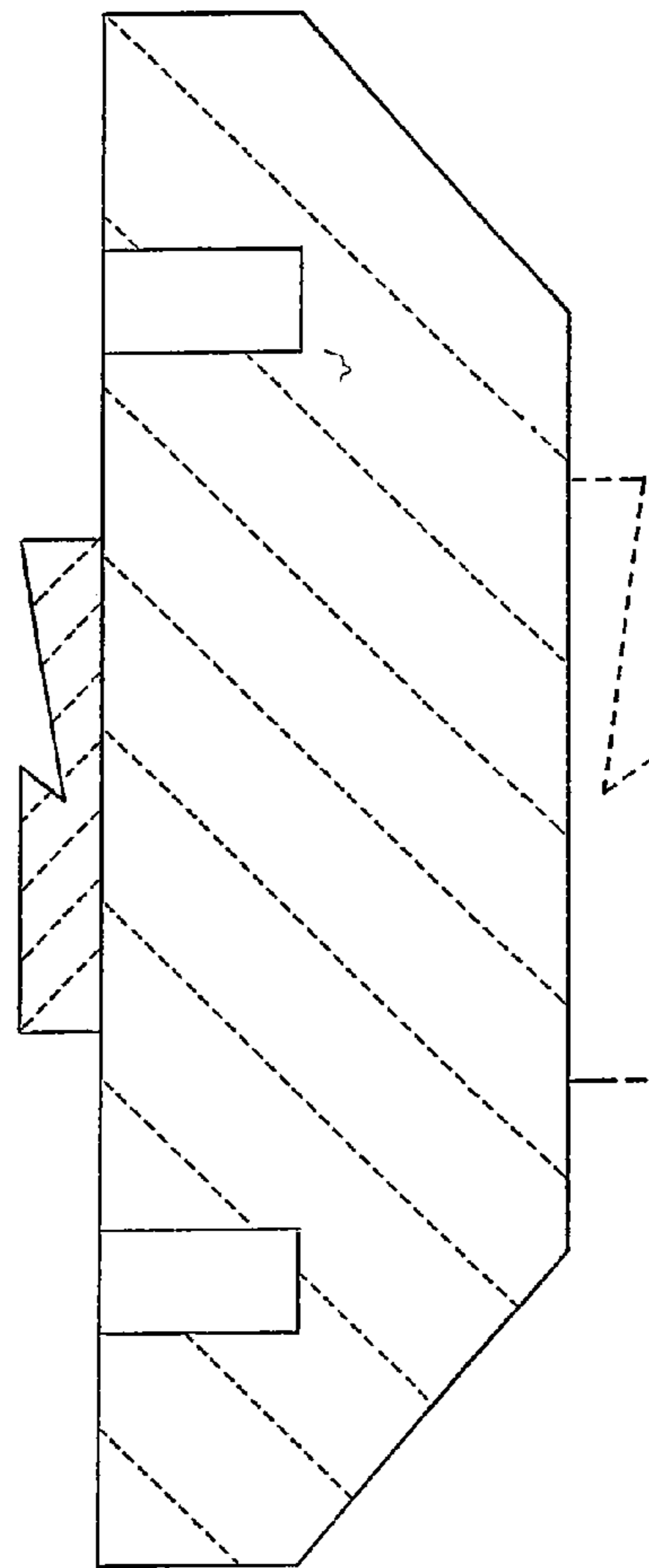


Fig. 13

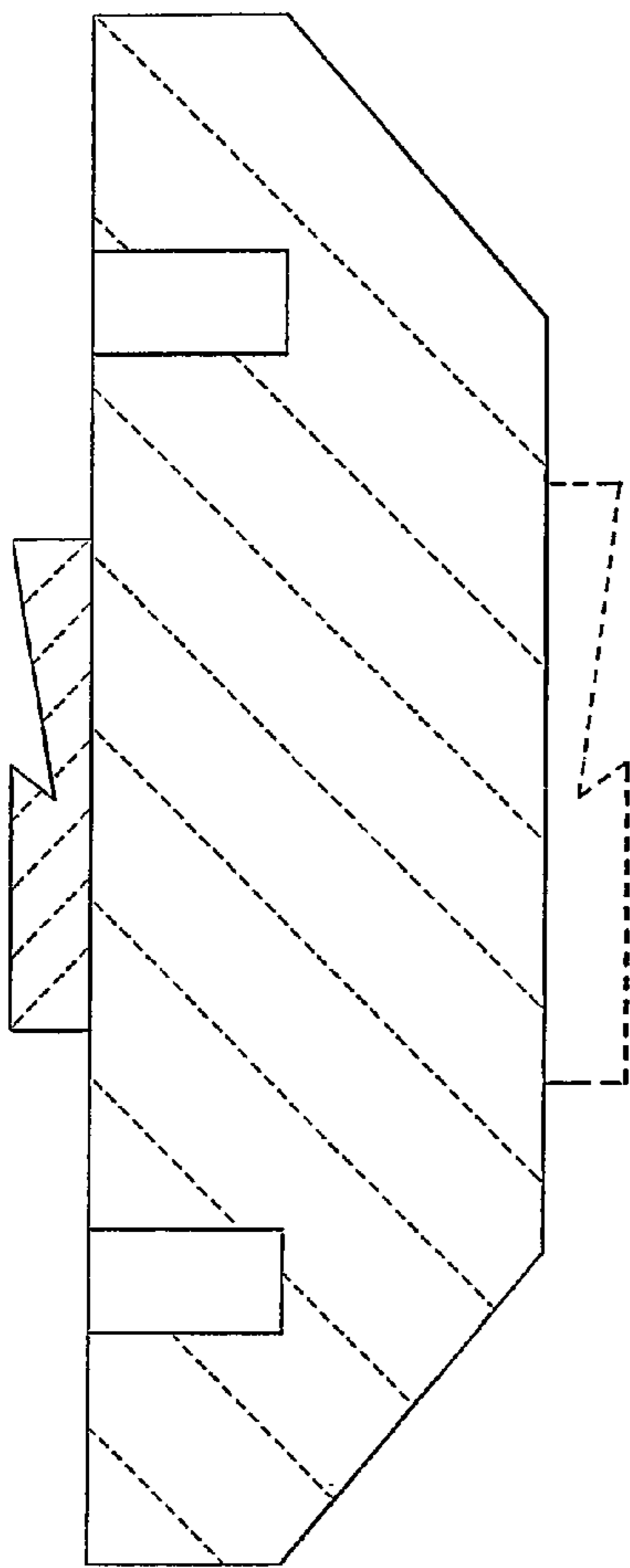


FIG. 14

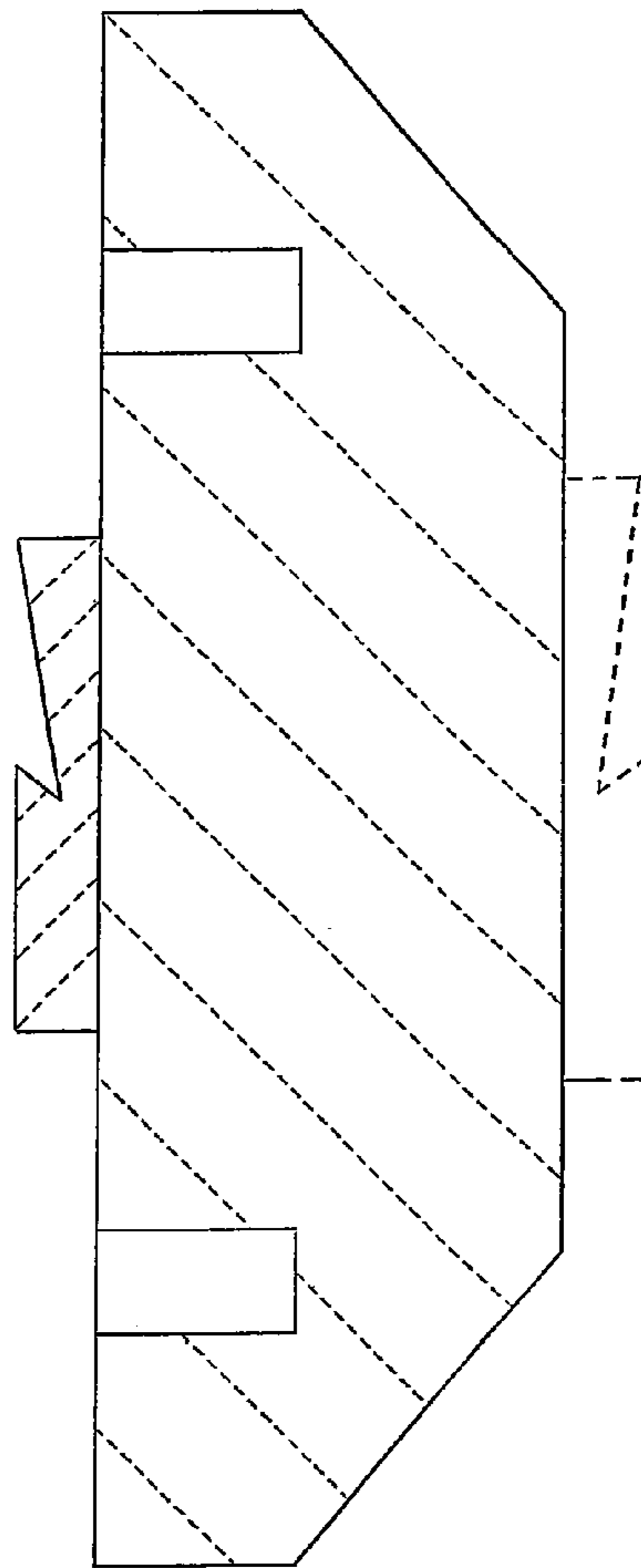


FIG. 15

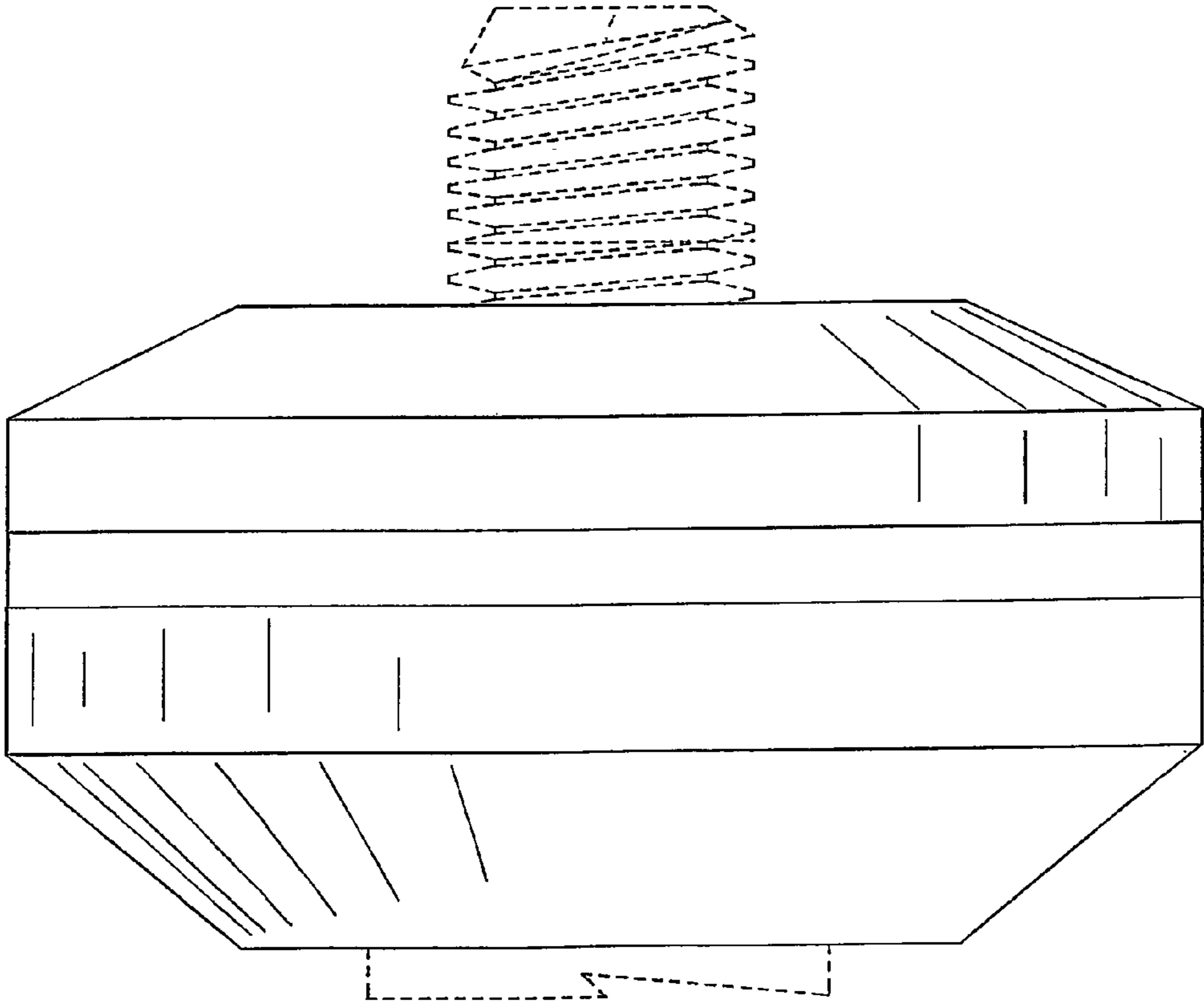


FIG. 16

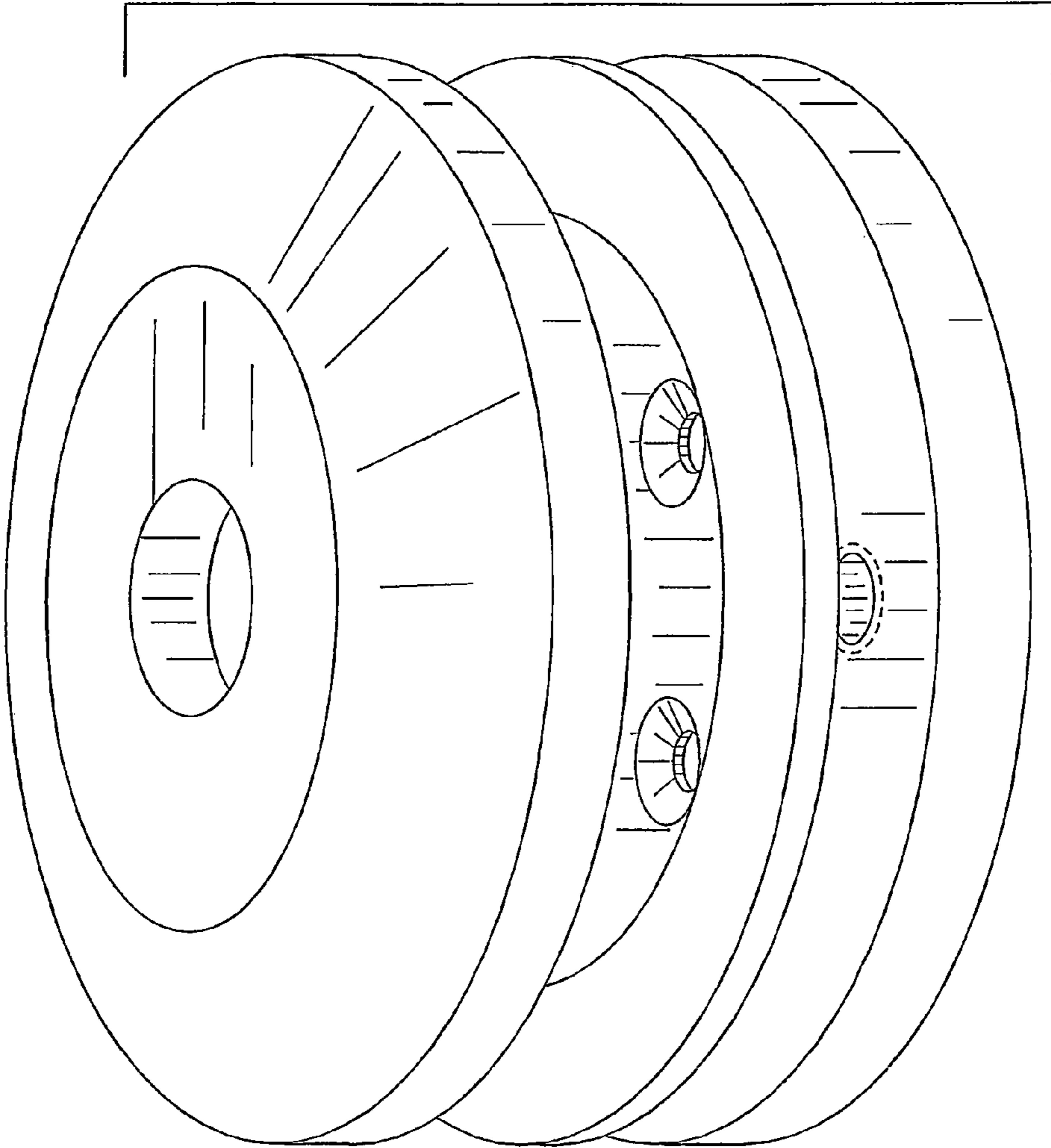


FIG. 17

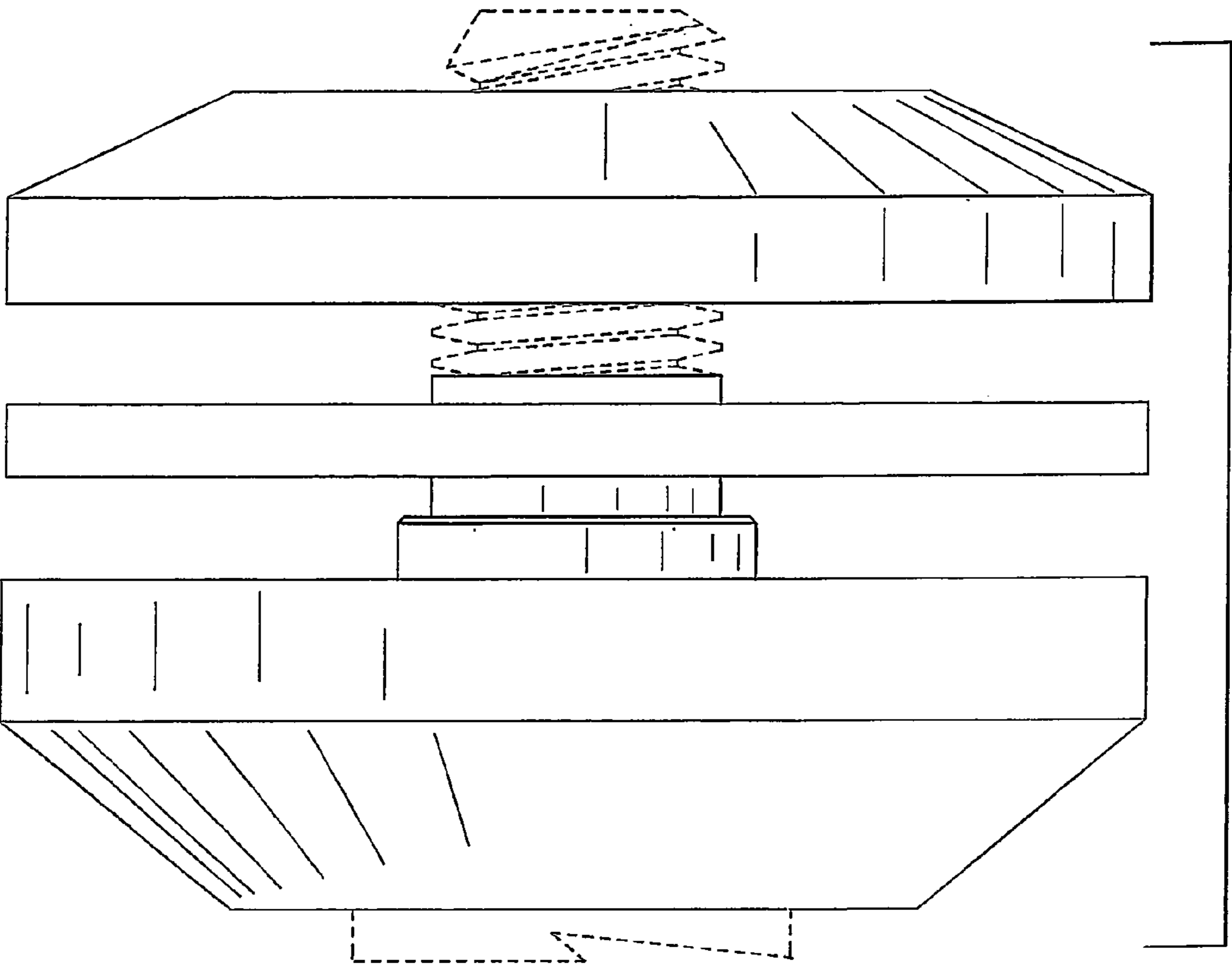


FIG. 18