



US00D714116S

(12) **United States Design Patent**
Jiang

(10) **Patent No.:** **US D714,116 S**

(45) **Date of Patent:** **** Sep. 30, 2014**

(54) **DRIVING HEAD FOR HAND TOOL**

(71) Applicant: **Zheng-Cong Jiang**, Taichung (TW)

(72) Inventor: **Zheng-Cong Jiang**, Taichung (TW)

(**) Term: **14 Years**

(21) Appl. No.: **29/482,235**

(22) Filed: **Feb. 16, 2014**

(51) **LOC (10) Cl.** **08-05**

(52) **U.S. Cl.**
USPC **D8/25**

(58) **Field of Classification Search**
CPC B25B 13/00
USPC D8/21-29, 107, 303, 17, 82-87;
81/125.1, 124.1, 124.4, 177.1-177.7,
81/489, 436-440, 60; 16/110.1, 421, 422,
16/430, 431; D7/395, 649, 402.1, 393,
D7/645, 401.2; D4/135, 138
See application file for complete search history.

(56) **References Cited**

U.S. PATENT DOCUMENTS

D349,025 S * 7/1994 Romero D8/25
6,634,262 B2 * 10/2003 Malchus 81/490

7,047,846 B1 * 5/2006 Hu 81/177.7
7,051,629 B2 * 5/2006 Huang 81/489
7,698,972 B2 * 4/2010 Hi 81/177.8
8,397,607 B2 * 3/2013 Huang 81/177.8
8,398,330 B2 * 3/2013 Bensussan et al. 403/374.4

* cited by examiner

Primary Examiner — Randall Gholson

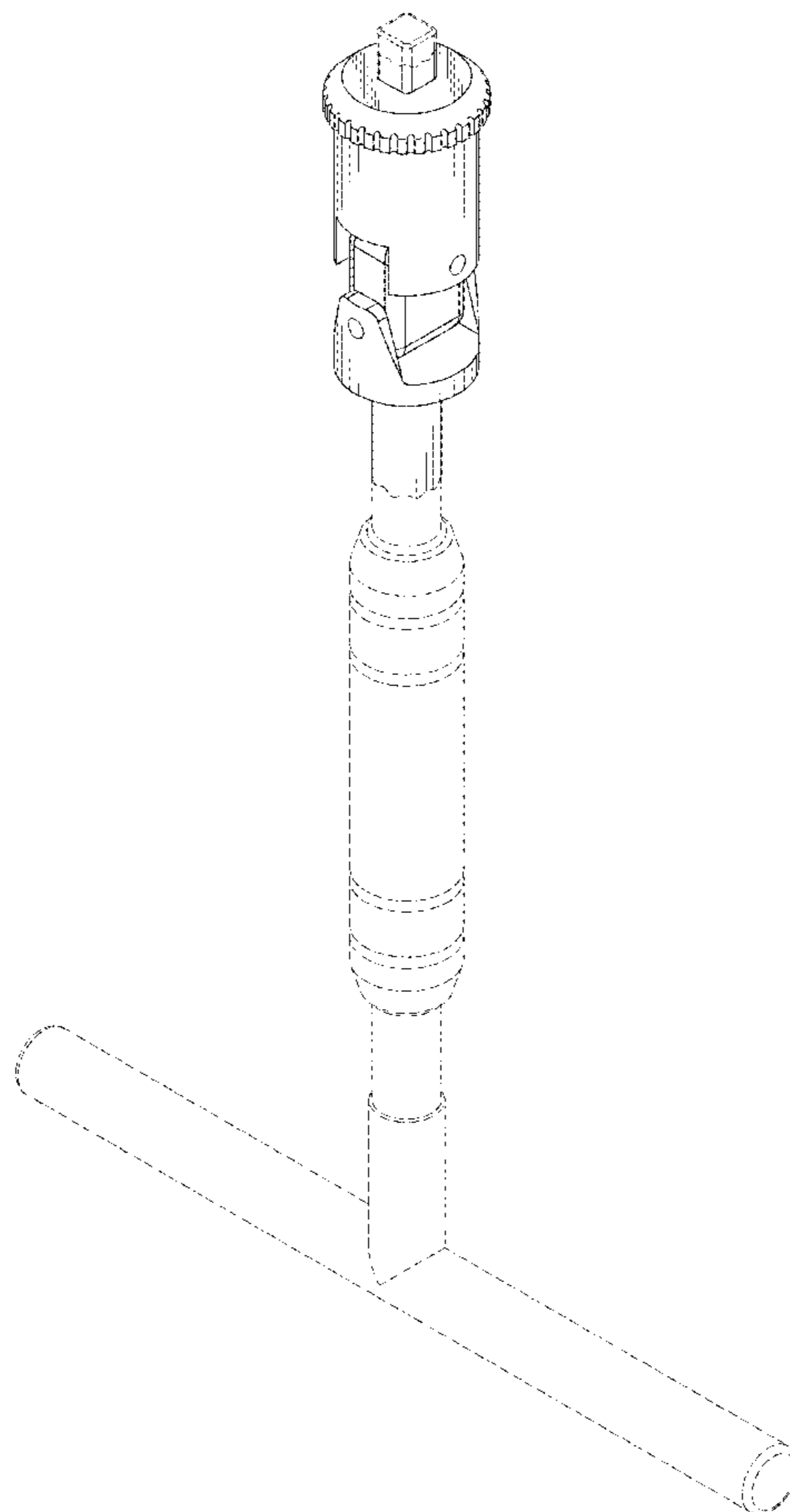
(57) **CLAIM**

The ornamental design for a driving head for hand tool, as shown and described.

DESCRIPTION

FIG. 1 is a perspective view of a driving head for hand tool showing my new design;
FIG. 2 is a front elevational view thereof;
FIG. 3 is a rear elevational view thereof;
FIG. 4 is a left side view thereof;
FIG. 5 is a right side view thereof;
FIG. 6 is a top plan view thereof;
FIG. 7 is a bottom plan view thereof; and
FIG. 8 is a partial enlarged view of FIG. 1.
The broken lines shown in the drawings show unclaimed subject matter only and form no part of the claimed design.

1 Claim, 7 Drawing Sheets



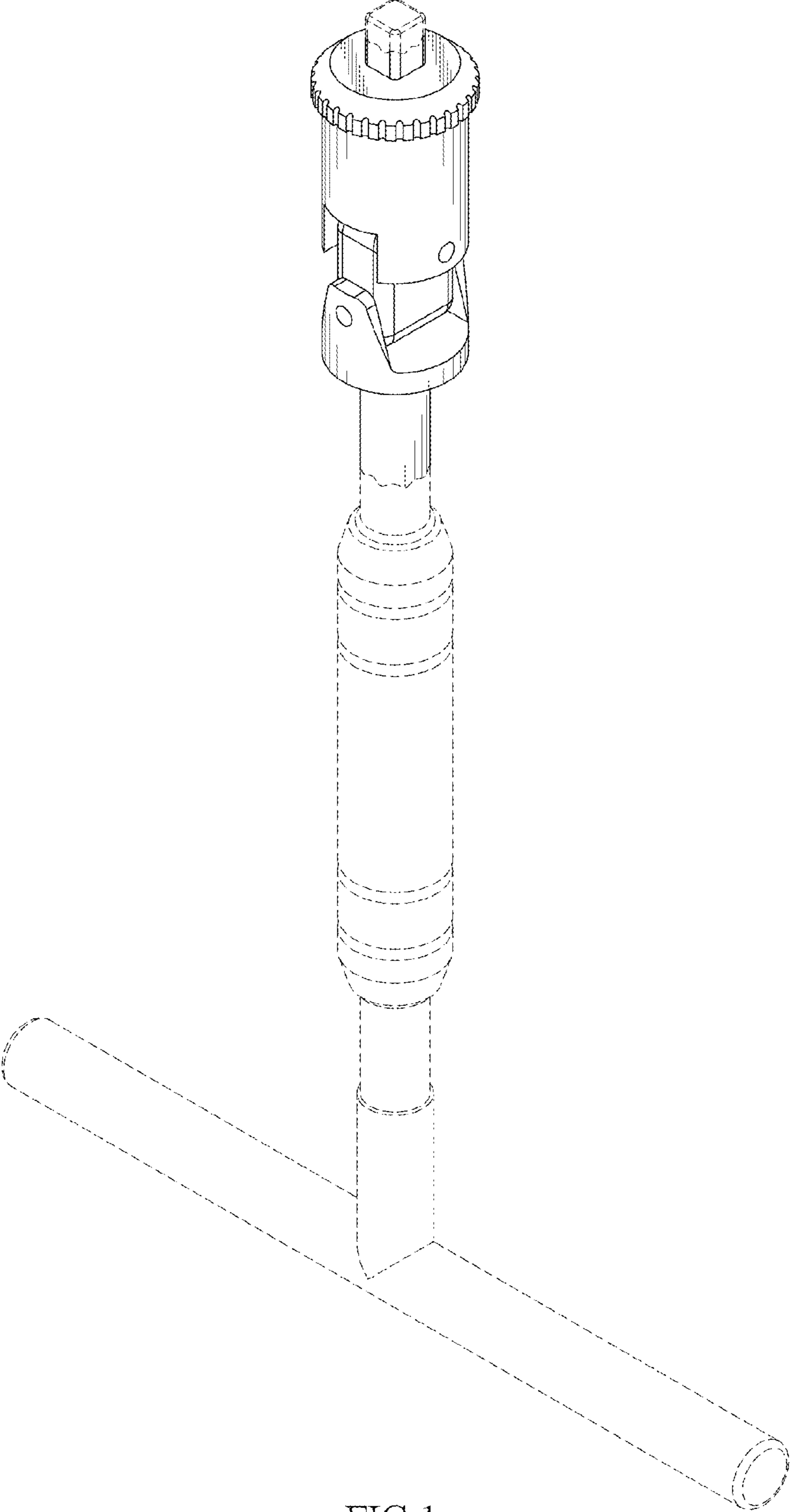


FIG.1

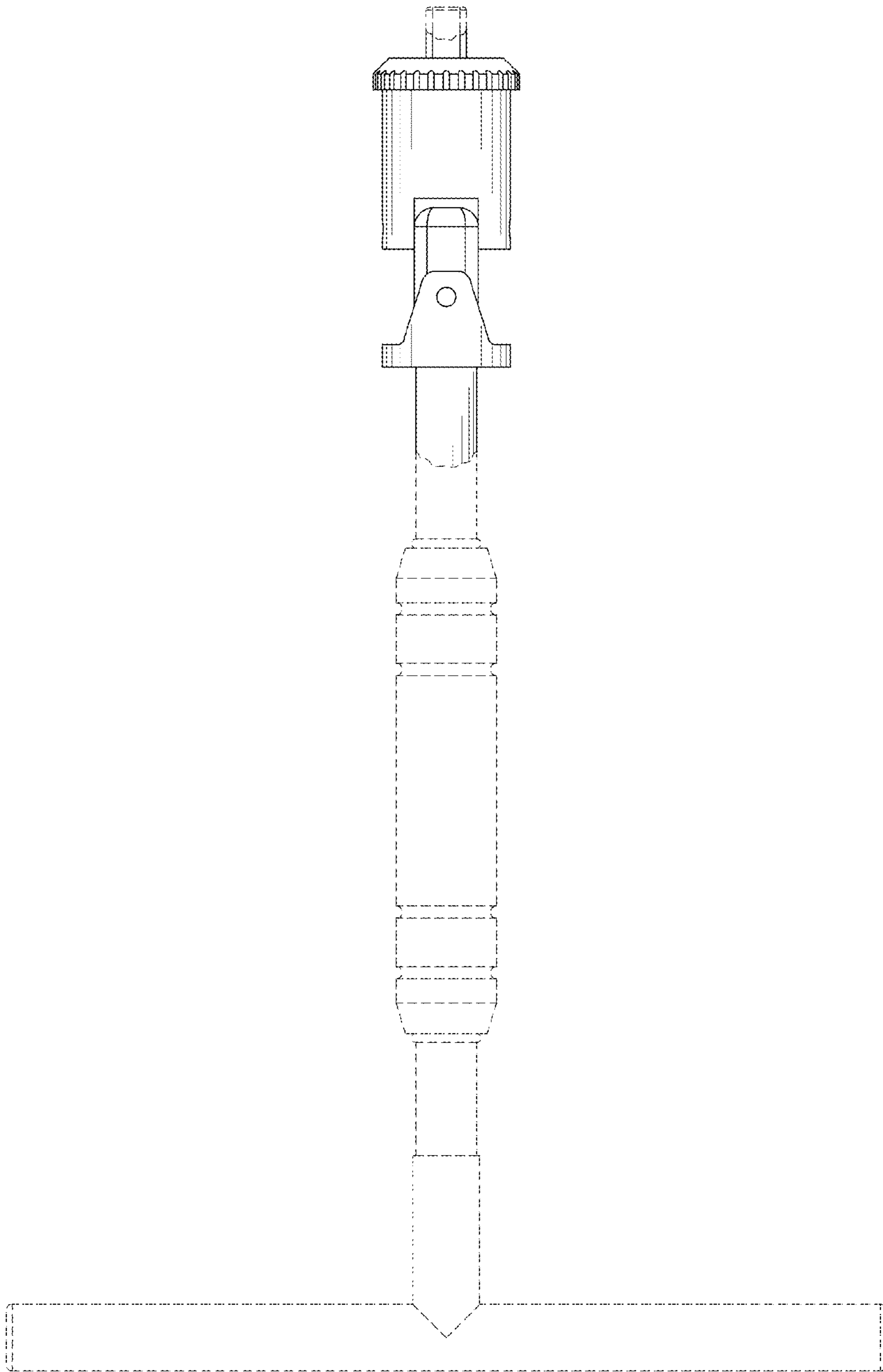


FIG.2

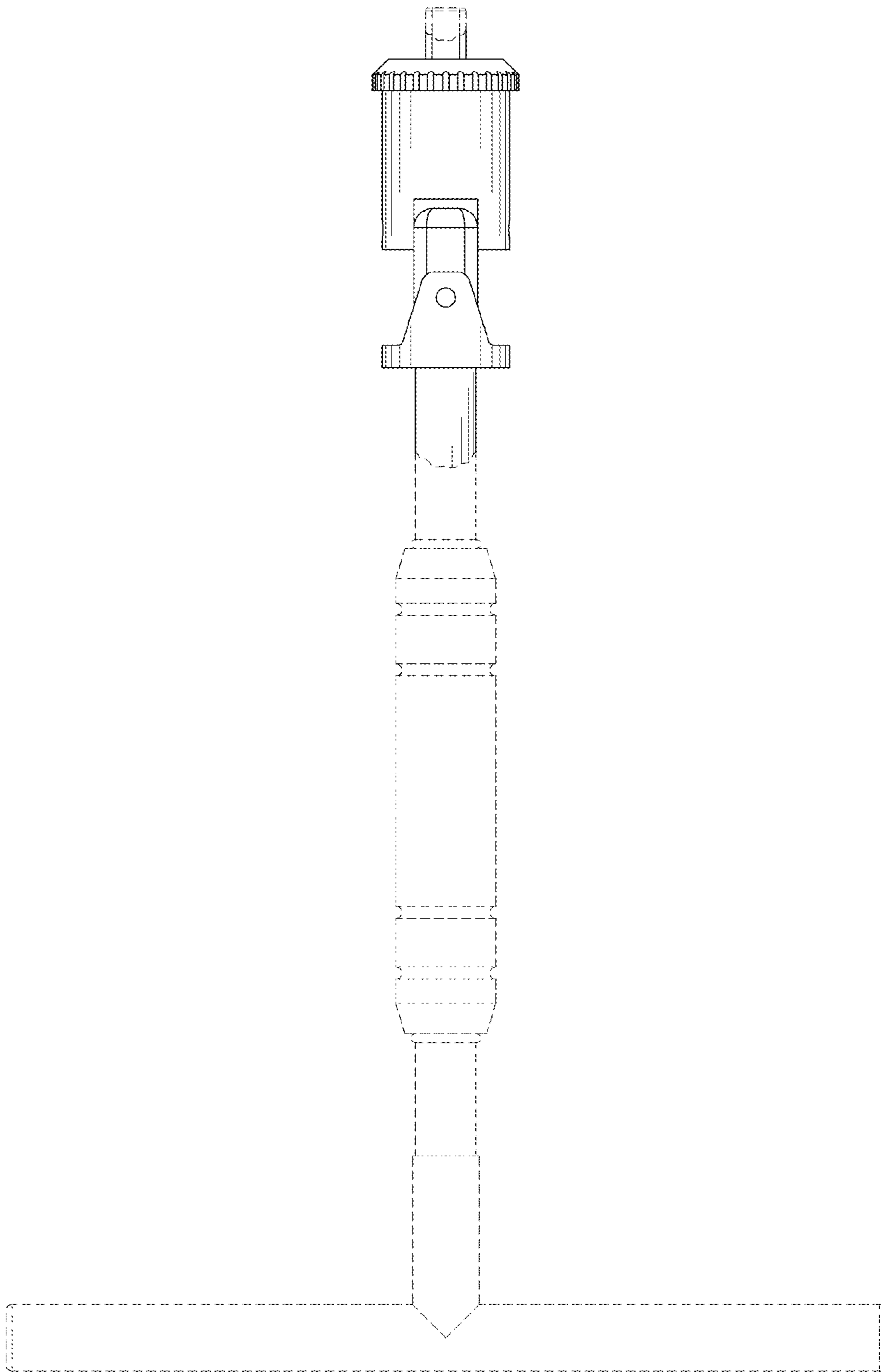


FIG.3

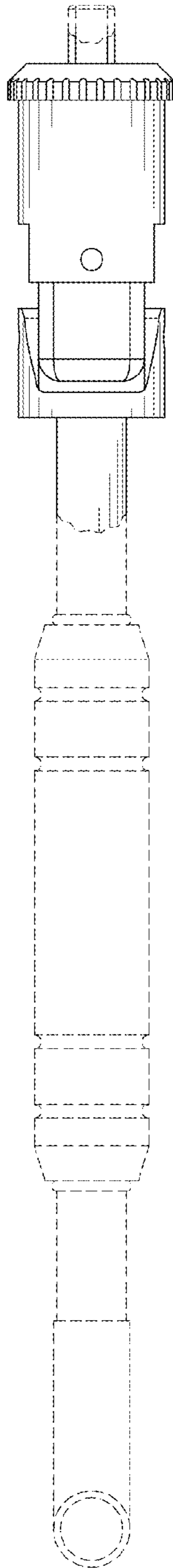


FIG.4

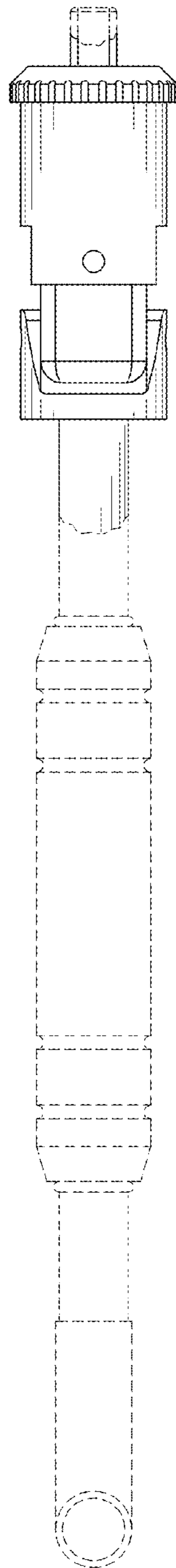


FIG.5

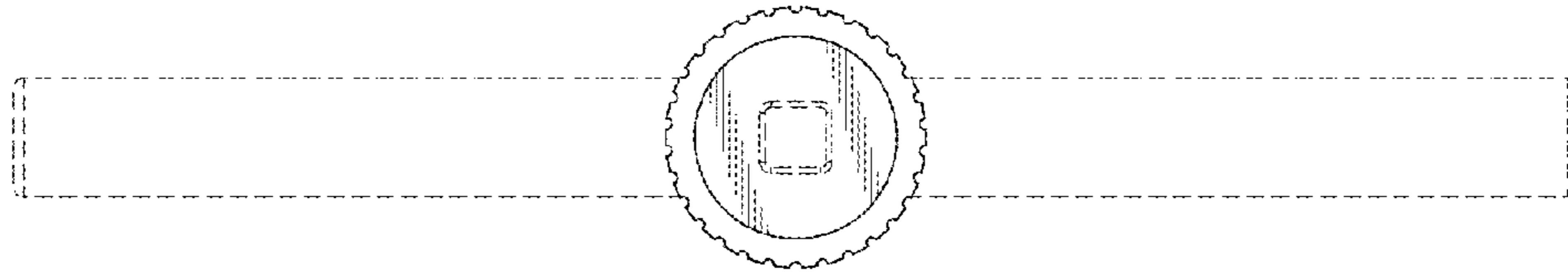


FIG. 6

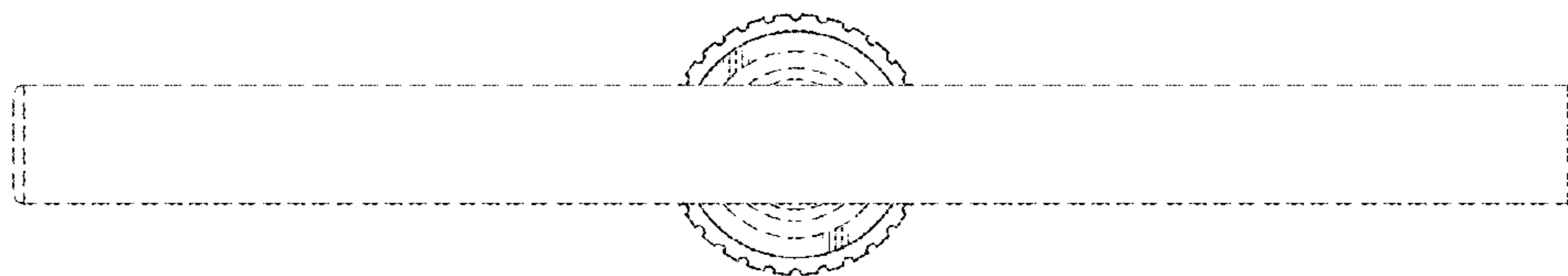


FIG. 7

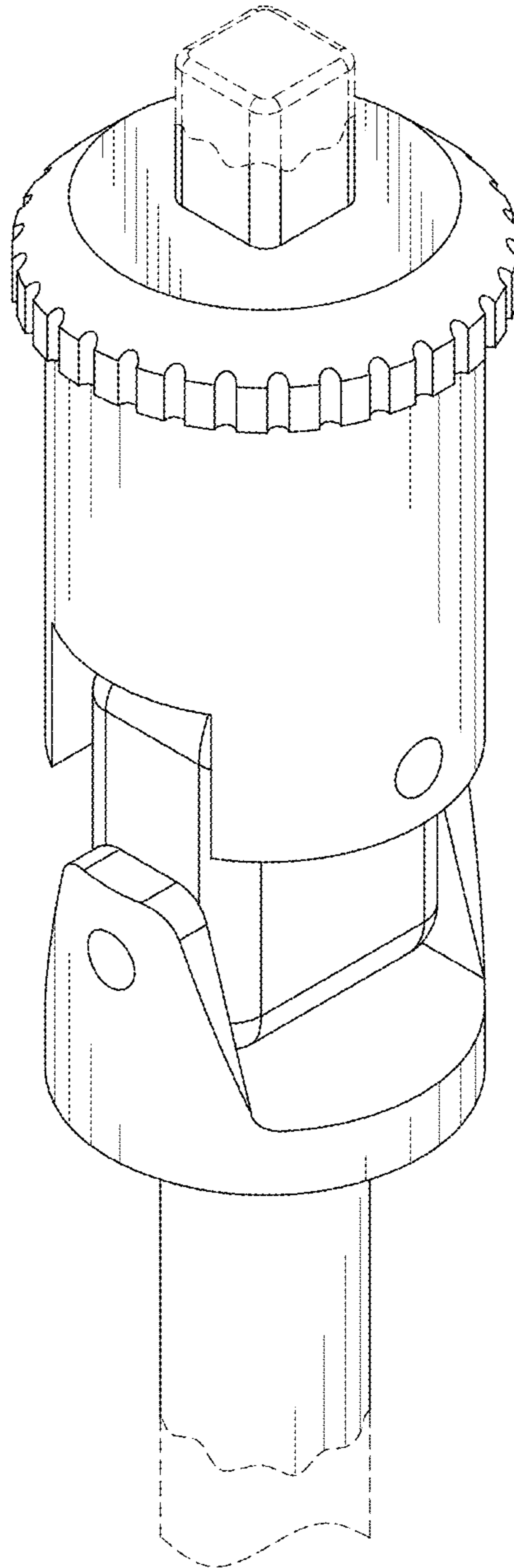


FIG.8