



US00D714110S

(12) **United States Design Patent**
Truett

(10) **Patent No.:** **US D714,110 S**

(45) **Date of Patent:** **** Sep. 30, 2014**

(54) **CURTAIN THREADER**

(76) Inventor: **Jack Truett**, York, PA (US)

(**) Term: **14 Years**

(21) Appl. No.: **29/427,735**

(22) Filed: **Jul. 21, 2012**

(51) **LOC (10) Cl.** **08-05**

(52) **U.S. Cl.**
USPC **D8/14**

(58) **Field of Classification Search**
CPC D05B 87/00; D05B 87/02; A47H 19/00;
A47H 13/01; D03J 5/24
USPC D8/14, 354; D6/580; 223/105;
D24/223; 139/207
See application file for complete search history.

2,652,959 A *	9/1953	Kubiliunas	223/105
2,684,795 A	7/1954	Gore		
2,762,541 A	9/1956	Moss		
2,782,970 A	2/1957	Young		
3,473,711 A *	10/1969	Laub	223/105
3,893,602 A *	7/1975	Ivy	223/99
D311,981 S *	11/1990	Kabbaby et al.	D32/46
4,971,235 A	11/1990	Bowen		
D324,984 S *	3/1992	Massey	D8/71
D459,429 S *	6/2002	Shelton	D22/134
D579,739 S *	11/2008	Barone	D8/14

* cited by examiner

Primary Examiner — Eric Goodman

Assistant Examiner — Jennifer Watkins

(74) *Attorney, Agent, or Firm* — KB Patents; Luca D'Ottone

(57) **CLAIM**

The ornamental design for a curtain threader, as shown and described.

(56) **References Cited**

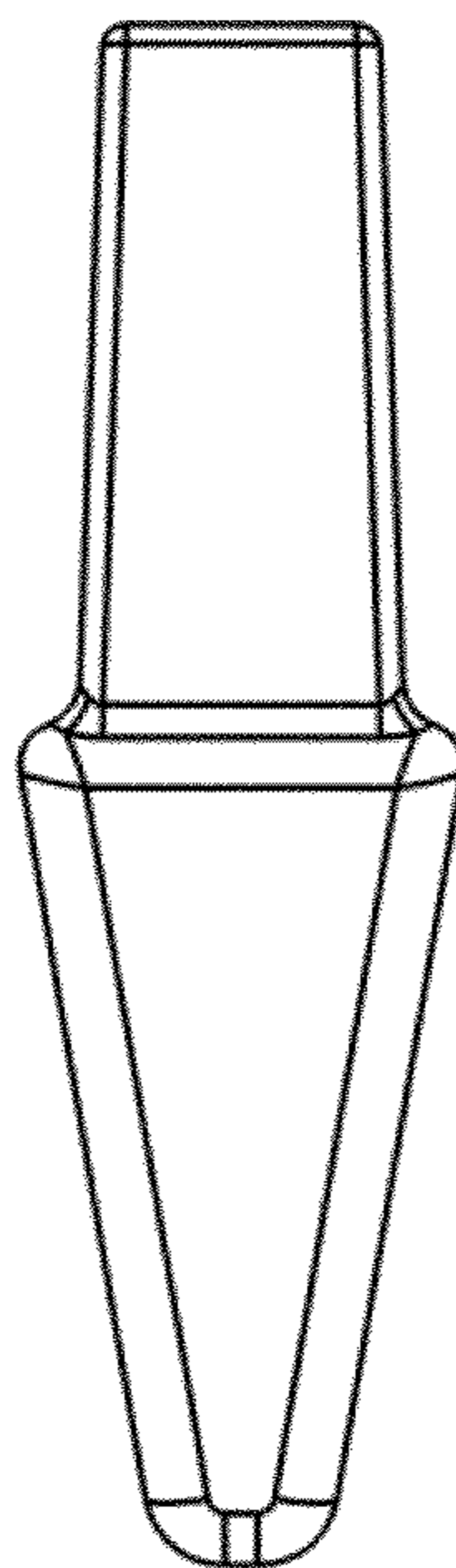
U.S. PATENT DOCUMENTS

1,810,207 A	6/1931	Hart		
1,881,835 A	10/1932	Mitchell		
1,887,110 A	11/1932	Yuengel		
1,920,046 A *	7/1933	Winberg	223/105
1,930,996 A	10/1933	Cuthbert		
2,121,712 A	6/1938	Petri		
2,183,328 A	12/1939	Baacke		
2,378,970 A	6/1945	Baumann		
2,421,110 A	5/1947	Antepenko		
2,517,217 A *	8/1950	Laub	223/105
2,541,293 A	2/1951	Robinson		

DESCRIPTION

FIG. 1 is a front elevation view of a curtain threader, showing my new design;
FIG. 2 is a bottom elevation view thereof;
FIG. 3 is a top elevation view thereof;
FIG. 4 is a lateral elevation view (right side) thereof;
FIG. 5 is a lateral elevation view (left side) thereof;
FIG. 6 is a back elevation view thereof;
FIG. 7 is a front perspective view thereof; and,
FIG. 8 is a back perspective view thereof.

1 Claim, 8 Drawing Sheets



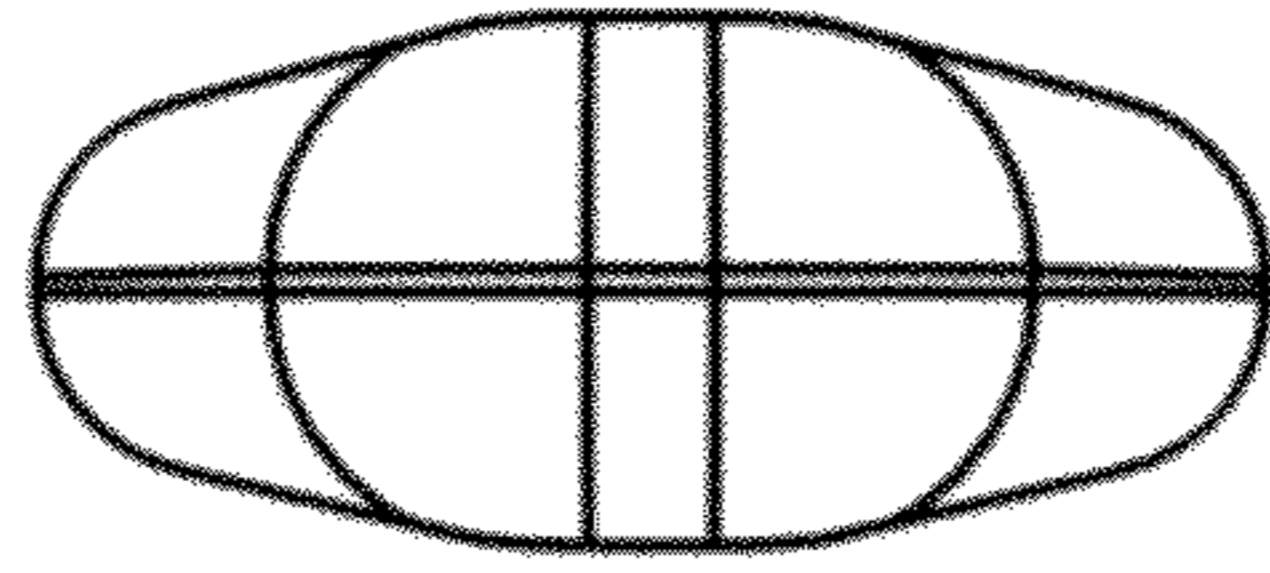


FIG. 1

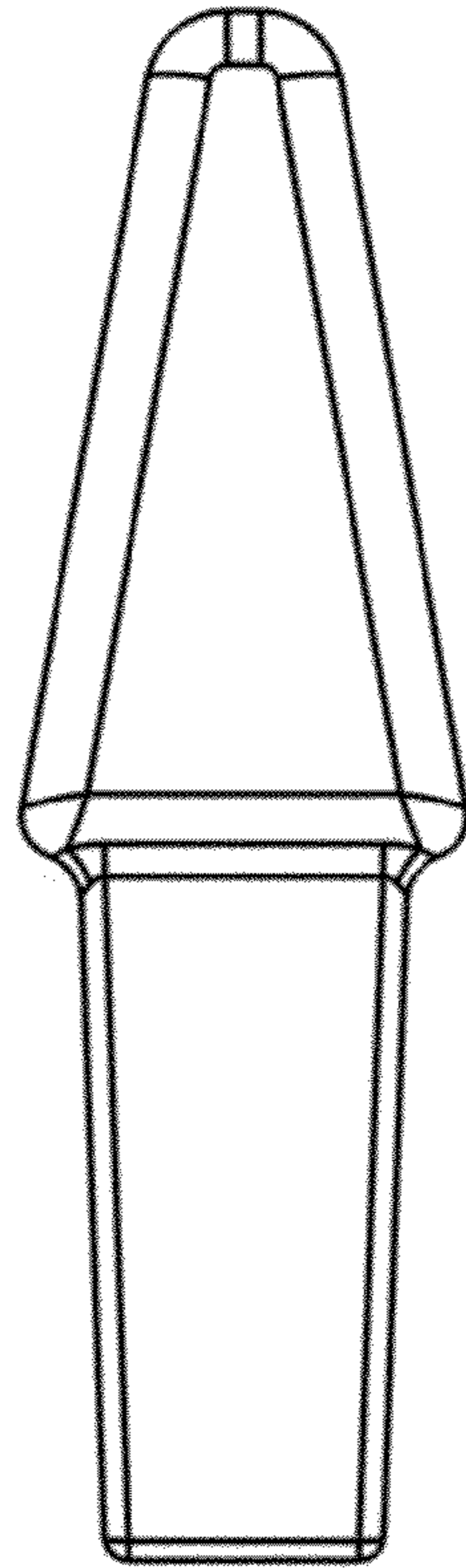


FIG. 2

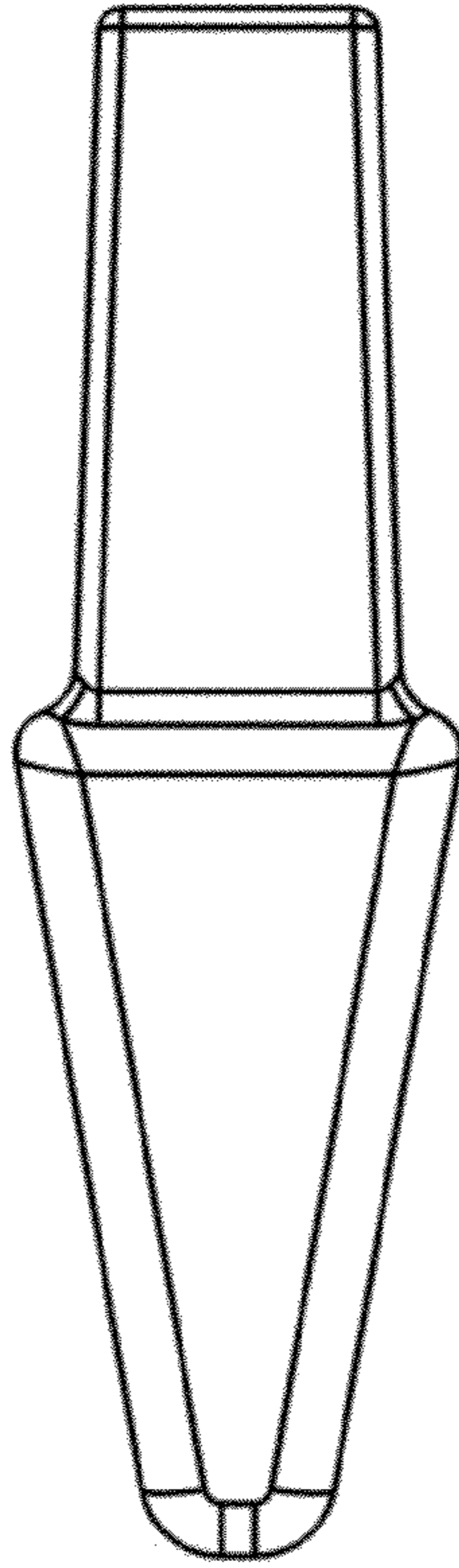


FIG. 3

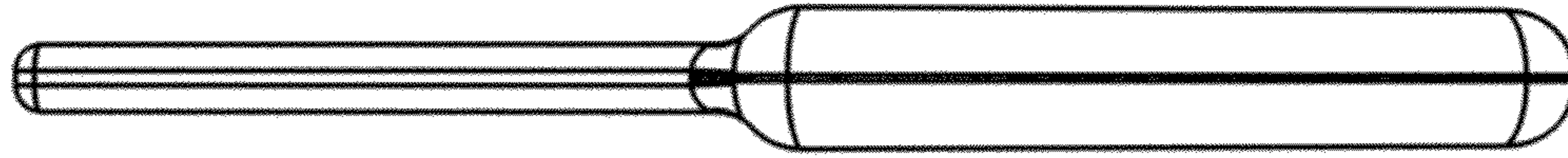


FIG. 4

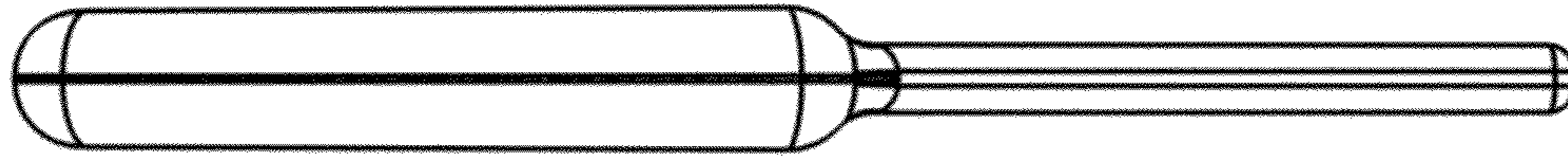


FIG. 5

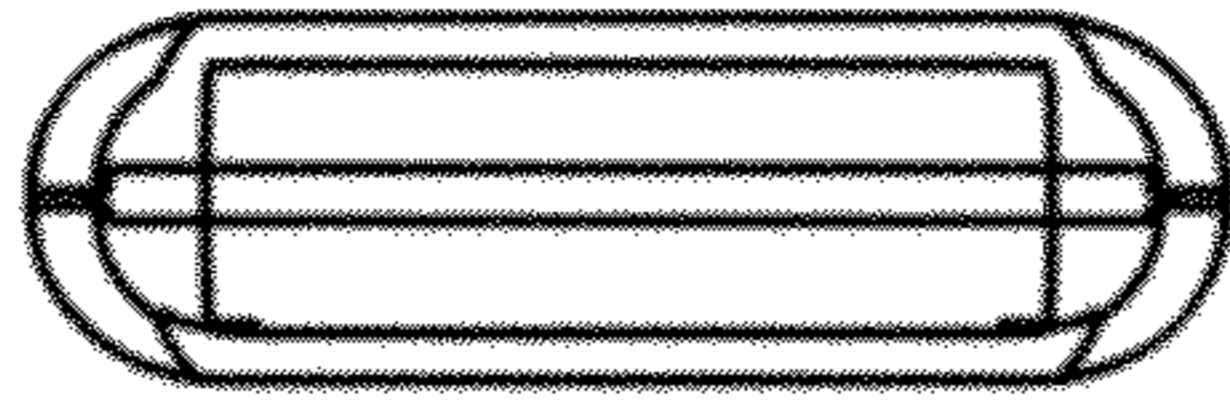


FIG. 6

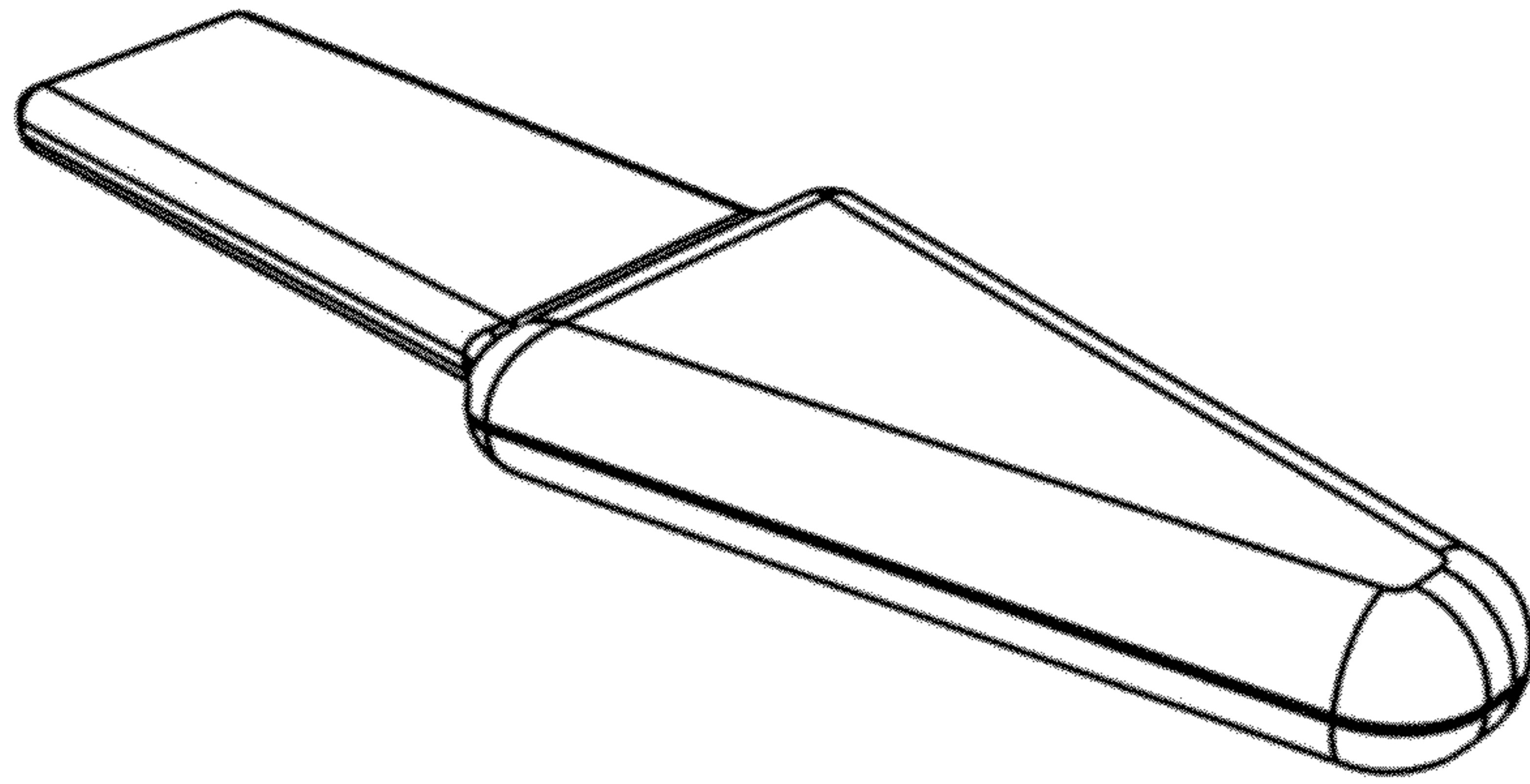


FIG. 7

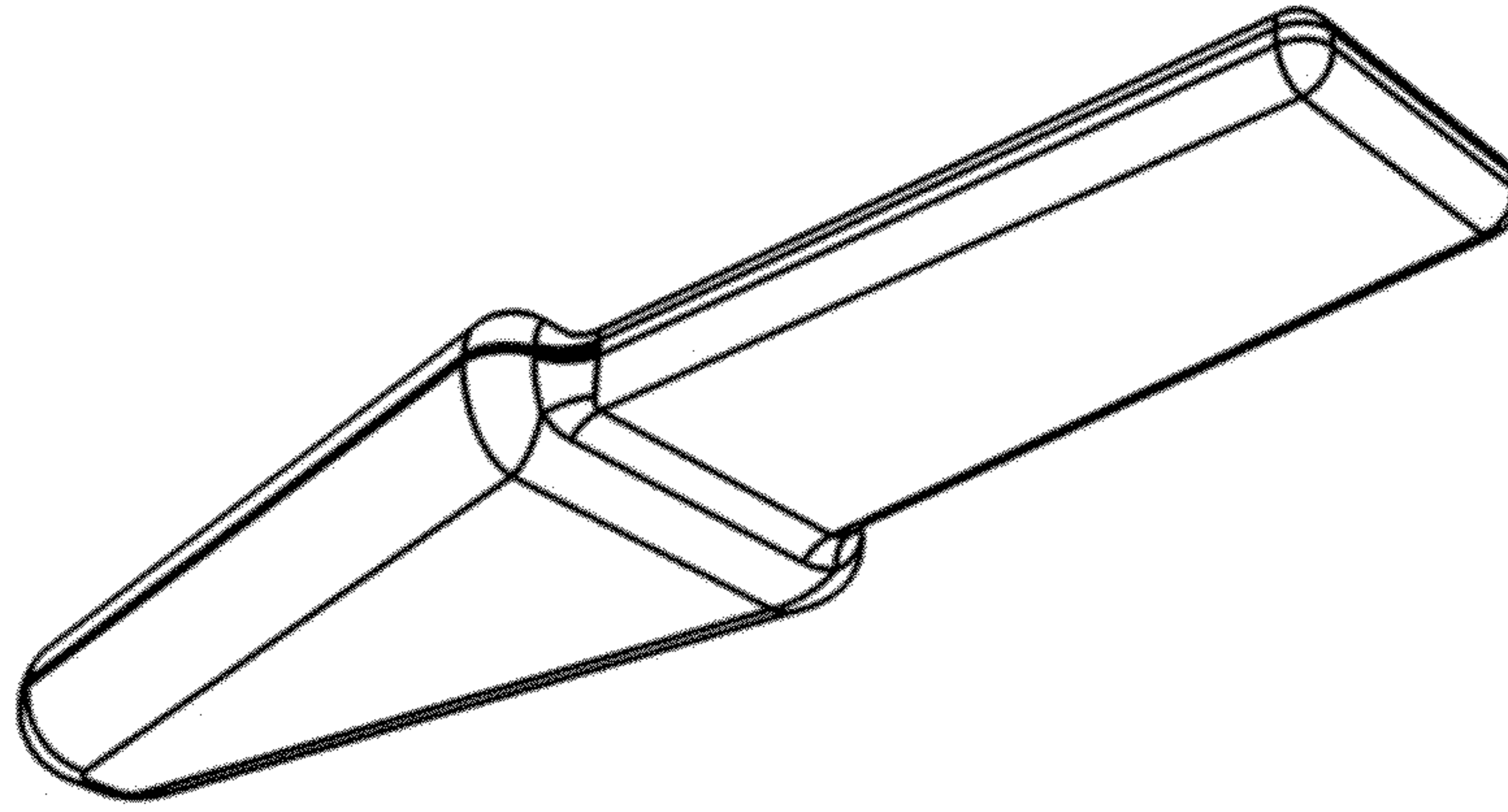


FIG. 8