



US00D714109S

(12) **United States Design Patent**
Tate et al.

(10) **Patent No.:** **US D714,109 S**

(45) **Date of Patent:** **** Sep. 30, 2014**

(54) **STRING TRIMMER**

(71) Applicant: **Black & Decker Inc.**, Newark (DE)

(72) Inventors: **Clare Tate**, Durham (GB); **Mark Baxter**, Tyne & Wear (GB)

(73) Assignee: **Black & Decker Inc.**, Newark, DE (US)

(**) Term: **14 Years**

(21) Appl. No.: **29/476,955**

(22) Filed: **Dec. 18, 2013**

(30) **Foreign Application Priority Data**

Jun. 20, 2013 (EM) 001375356

(51) **LOC (10) Cl.** **08-01**

(52) **U.S. Cl.**
USPC **D8/8**

(58) **Field of Classification Search**
CPC . A01D 34/416; A01D 34/4166; A01D 34/84;
B65H 270/354
USPC D8/8, 9; 30/276, 347; 56/12.7
See application file for complete search history.

(56) **References Cited**

U.S. PATENT DOCUMENTS

D382,450 S * 8/1997 Meisner et al. D8/8
5,950,317 A * 9/1999 Yates et al. 30/276

5,987,756 A * 11/1999 Yates et al. 30/276
D510,512 S * 10/2005 Robson D8/8
D547,143 S * 7/2007 Evans et al. D8/8
D580,237 S * 11/2008 Bradford D8/8
D580,719 S * 11/2008 Baxter D8/8
D656,371 S * 3/2012 Sweeney D8/8
D663,594 S * 7/2012 Yamamoto et al. D8/8

* cited by examiner

Primary Examiner — Sheryl Lane

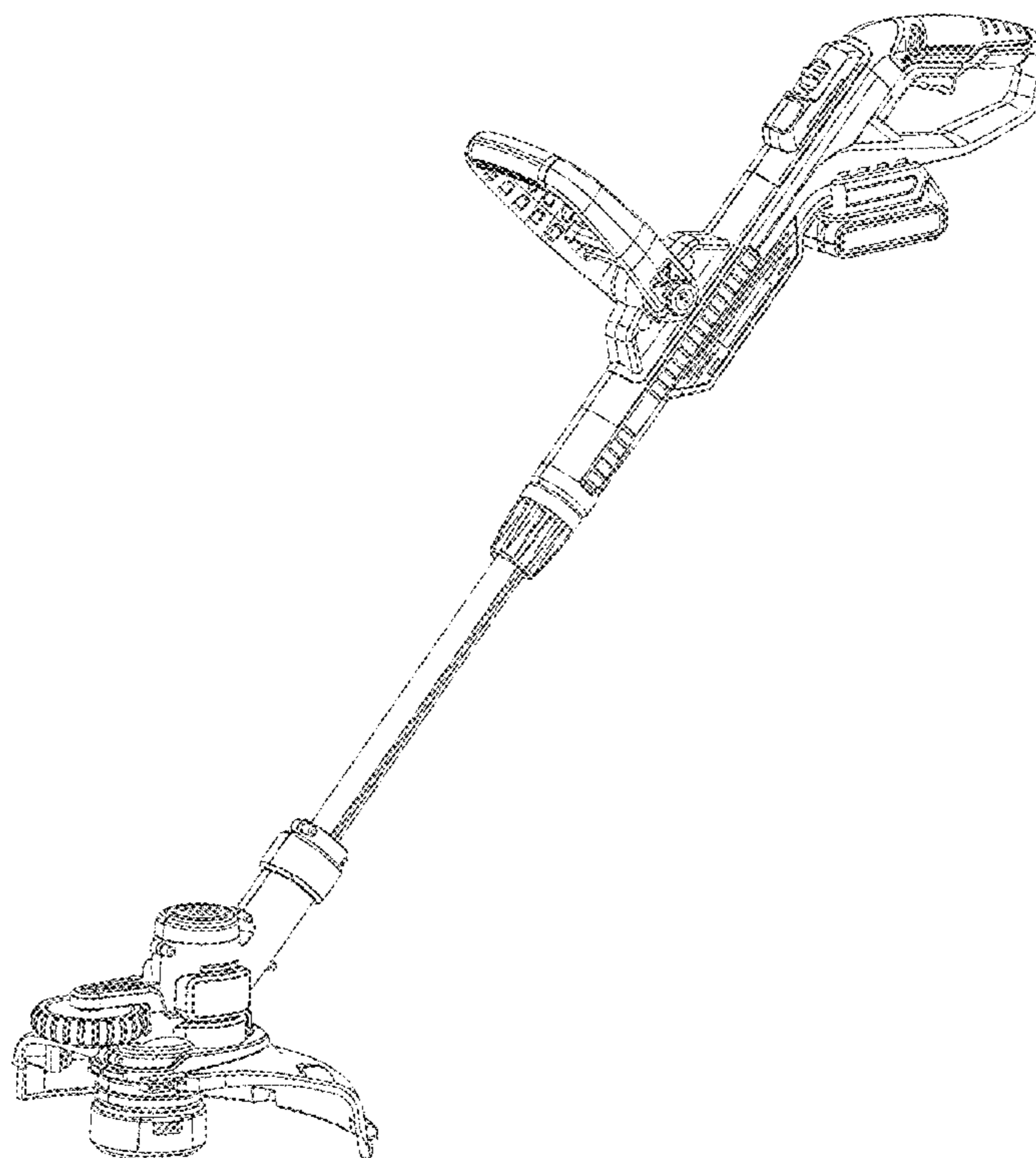
(57) **CLAIM**

The ornamental design for a string trimmer, as shown and described.

DESCRIPTION

FIG. 1 is a perspective view of a string trimmer showing our new design;
FIG. 2 is a front view thereof
FIG. 3 is a rear view thereof;
FIG. 4 is a left side view thereof;
FIG. 5 is a right side view thereof;
FIG. 6 is a top plan view thereof; and,
FIG. 7 is a bottom plan view thereof.

1 Claim, 7 Drawing Sheets



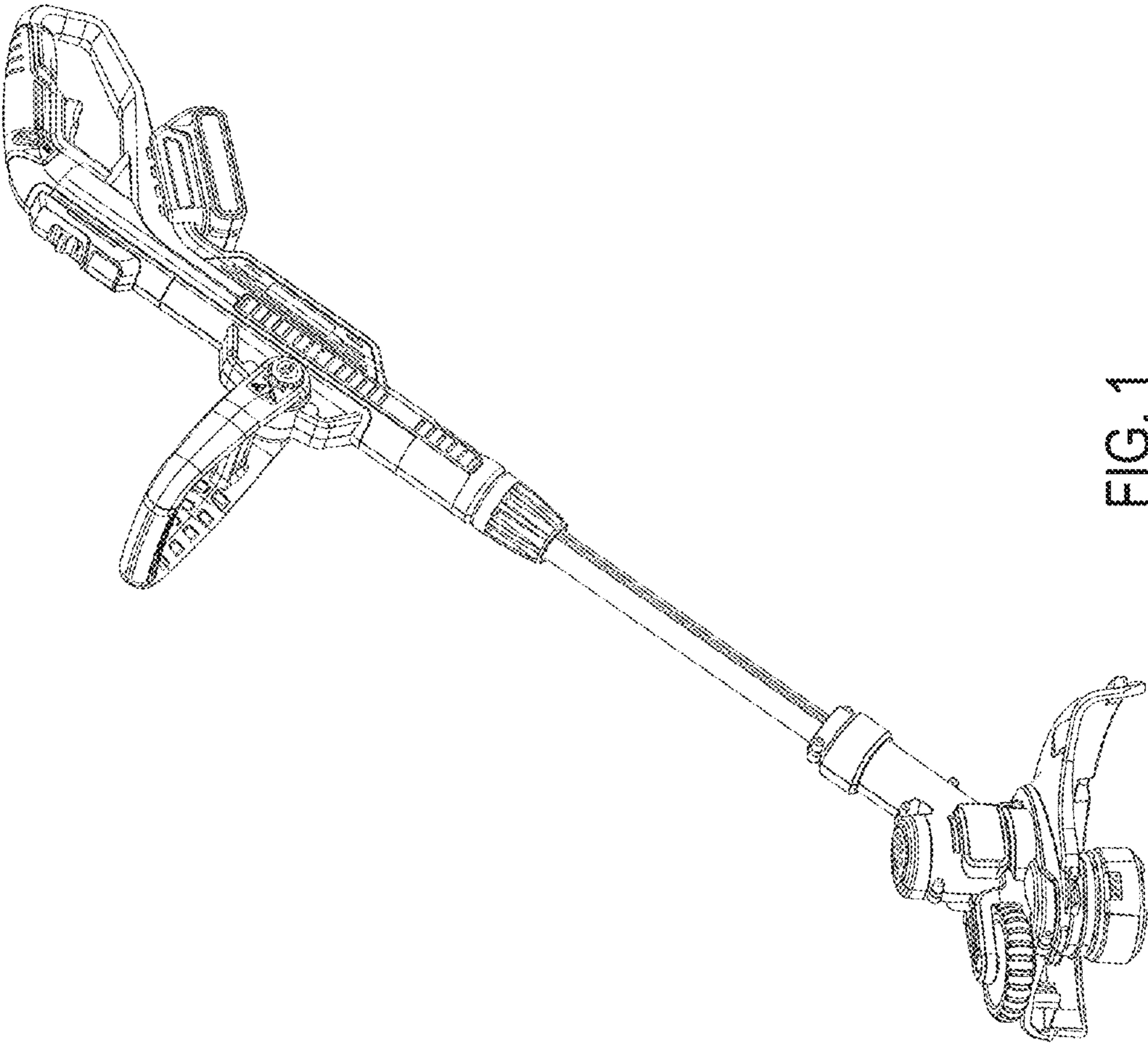


FIG. 1

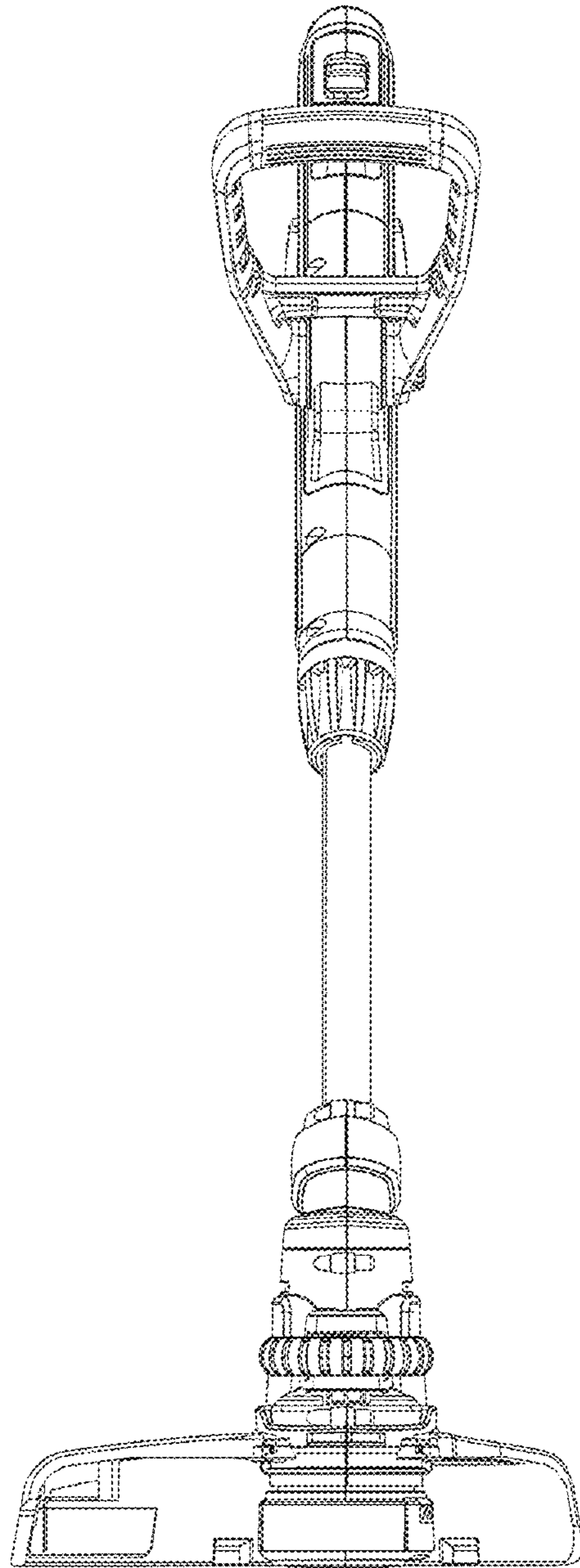


FIG. 2

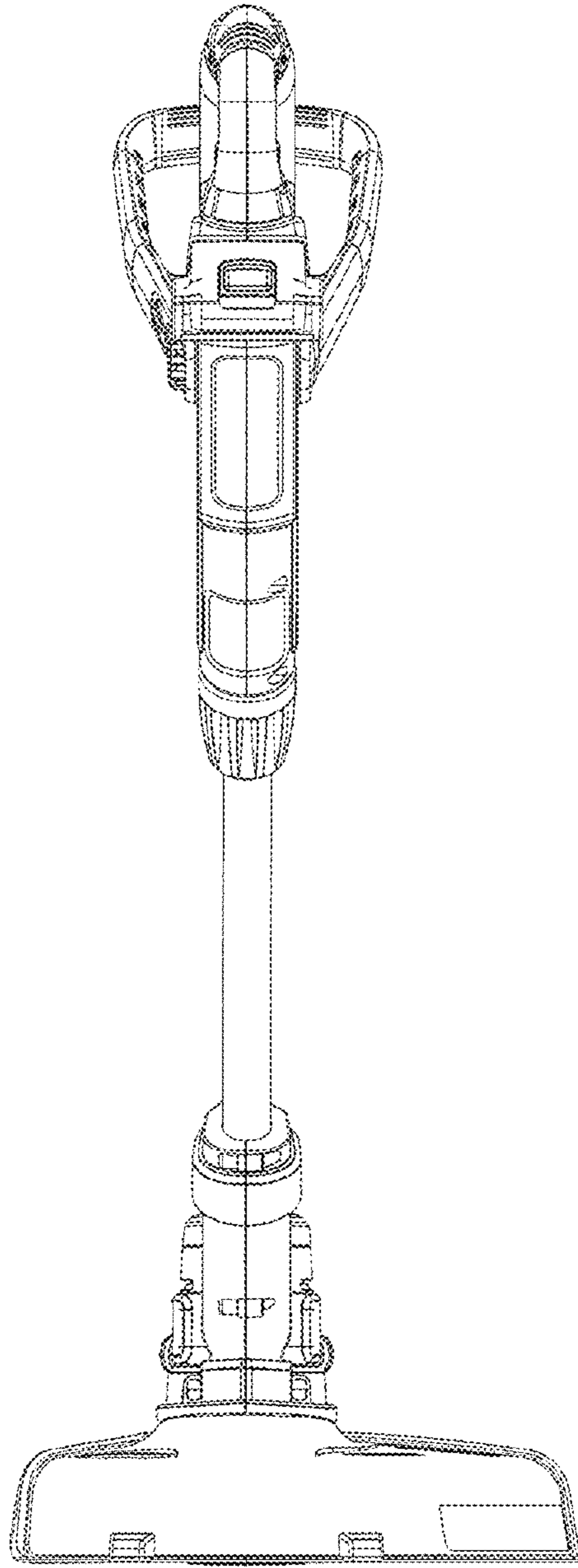


FIG. 3

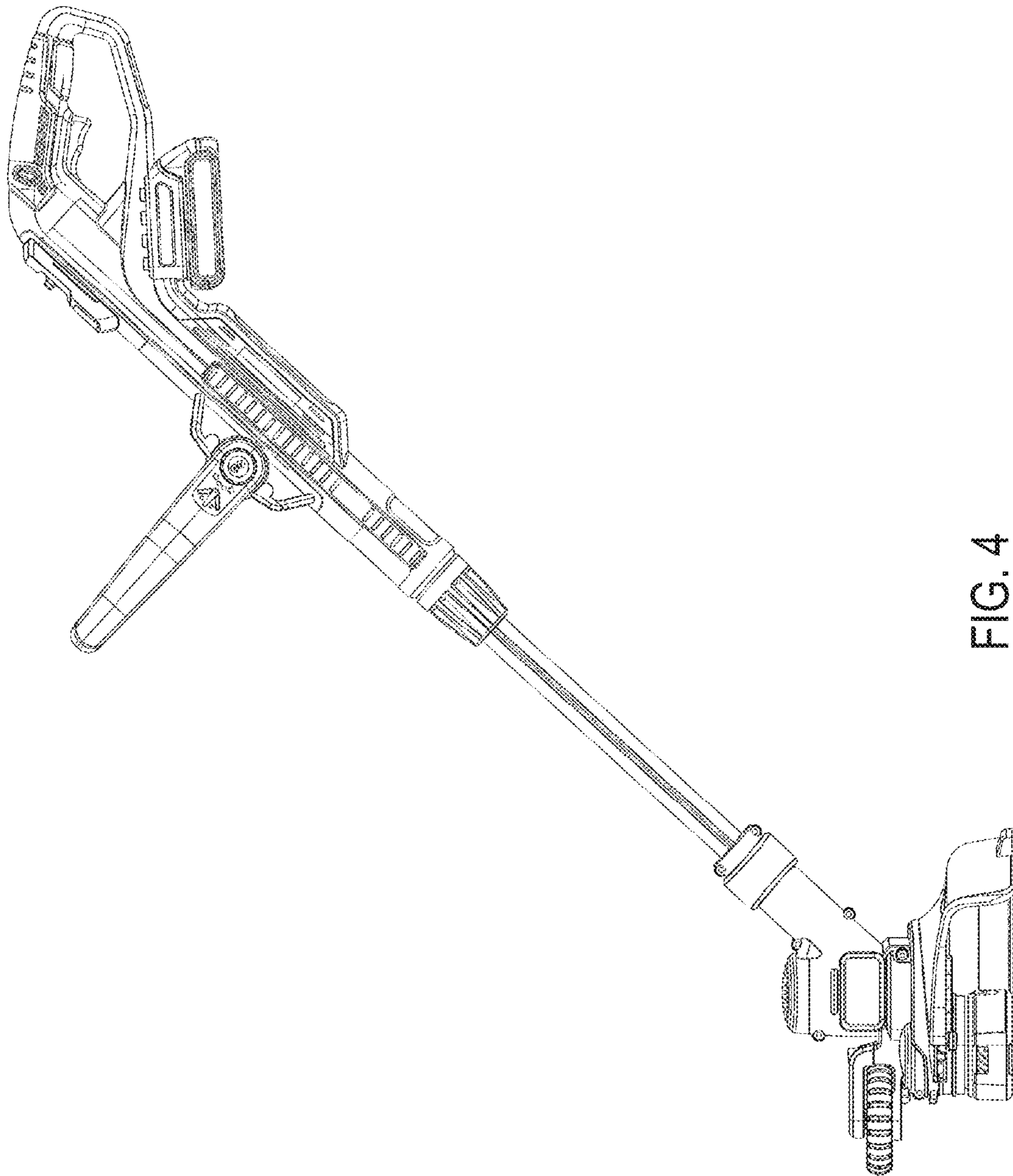


FIG. 4

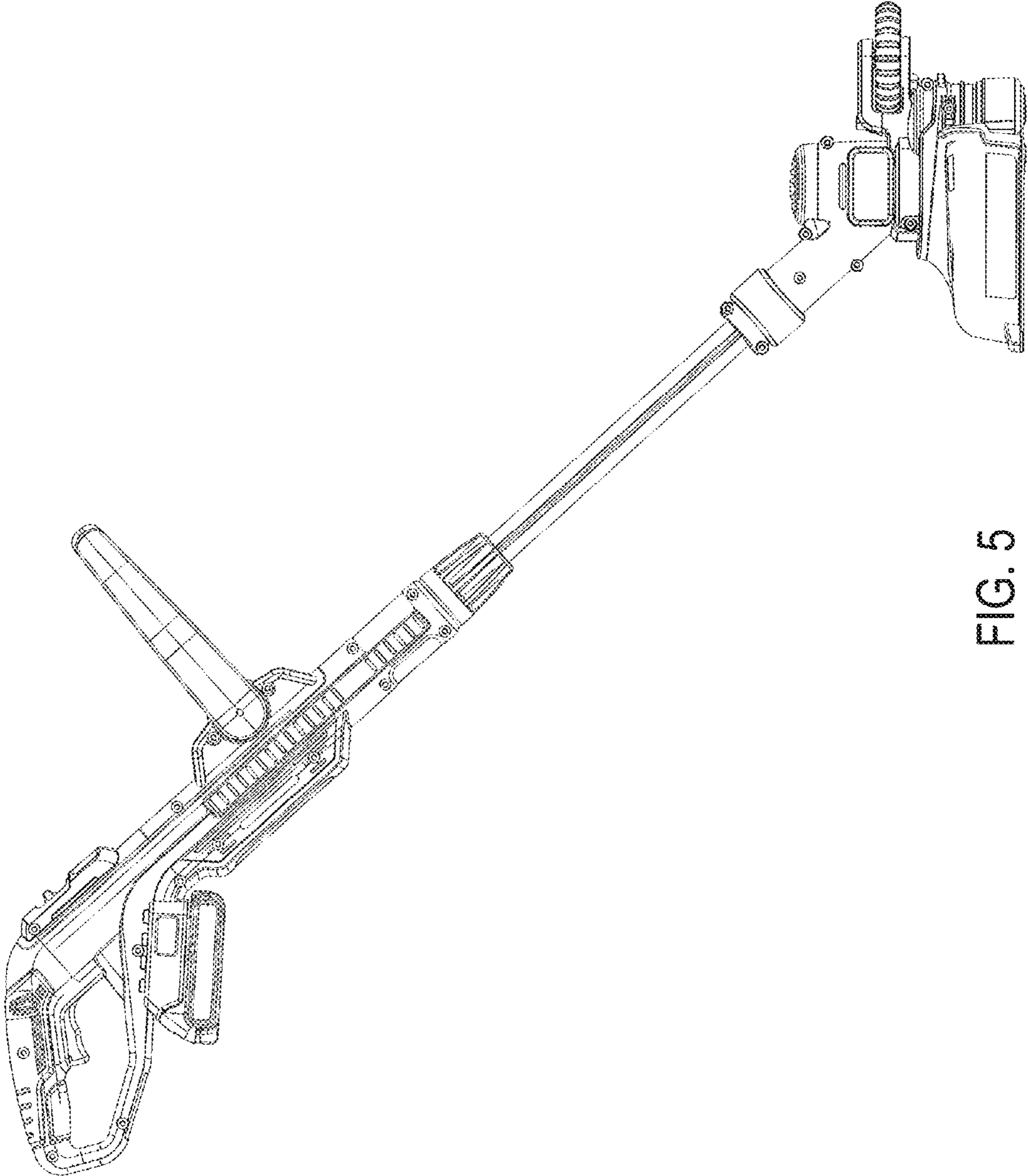


FIG. 5

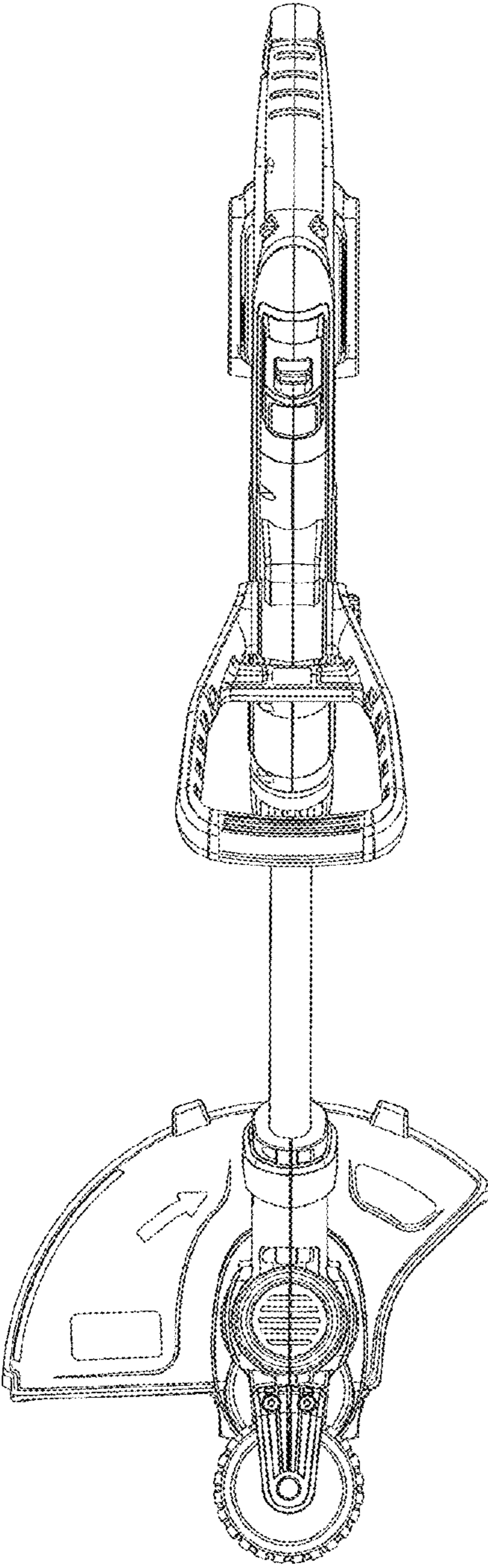


FIG. 6

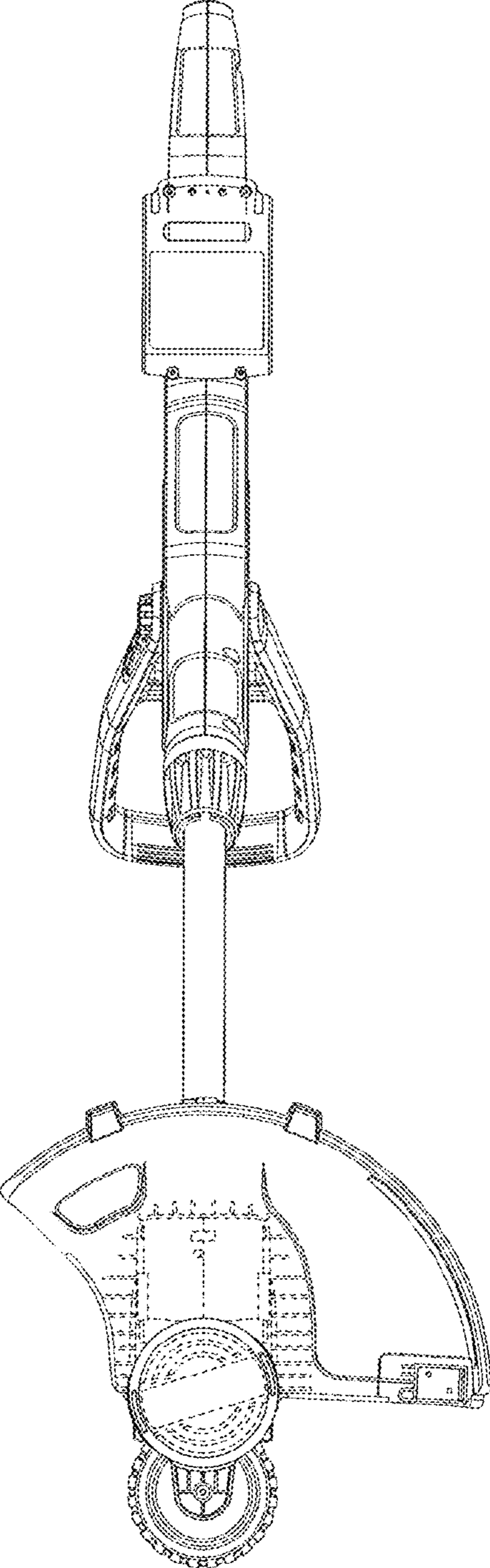


FIG. 7