

US00D714107S

(12) **United States Design Patent**
Koder et al.

(10) **Patent No.:** **US D714,107 S**
(45) **Date of Patent:** **** Sep. 30, 2014**

(54) **RACK SYSTEM FOR WINE BOTTLES**

(71) Applicant: **InVinity Wine System LLC**, Glen Allen, VA (US)

(72) Inventors: **Paul Koder**, Richmond, VA (US); **Jason Michael Stoner**, Richmond, VA (US)

(73) Assignee: **InVinity Wine System LLC**, Glen Allen, VA (US)

(**) Term: **14 Years**

(21) Appl. No.: **29/455,276**

(22) Filed: **May 19, 2013**

(51) **LOC (10) Cl.** **06-04**

(52) **U.S. Cl.**
USPC **D7/704**

(58) **Field of Classification Search**
CPC A47B 57/562
USPC D7/701-708; D6/566, 511, 513, 514;
211/94.01, 189, 181.1, 66, 74, 41.2,
211/57.1, 59.2; 248/220.41, 303, 312.1
See application file for complete search history.

(56) **References Cited**

U.S. PATENT DOCUMENTS

2,018,002	A	10/1935	Avery	
3,160,278	A	12/1964	Varkala	
3,285,426	A	11/1966	Wilcke	
3,606,023	A	9/1971	Edmunds	
4,094,415	A	6/1978	Larson	
4,109,795	A	8/1978	Konigsford et al.	
4,742,923	A *	5/1988	Calvert	211/57.1
4,863,131	A *	9/1989	Kinseley	248/220.41
4,905,846	A	3/1990	Calvert	
4,944,415	A	7/1990	Orbach	
4,998,631	A	3/1991	Fridjhon	
D376,299	S	12/1996	Audet	
6,050,426	A	4/2000	Leurdijk	
6,394,288	B1 *	5/2002	Hartwall	211/74
6,443,316	B1 *	9/2002	Mao	211/74
6,523,704	B2 *	2/2003	Sanders	211/70.6
6,612,448	B2	9/2003	Plutsky	
6,763,956	B2 *	7/2004	Woods	211/74

6,991,117	B2	1/2006	McCain	
7,147,115	B2 *	12/2006	Perkins et al.	211/94.01
D618,524	S *	6/2010	Nesil et al.	D7/704
7,850,017	B2	12/2010	McCain	
8,231,015	B2	7/2012	McCain	
2009/0152221	A1 *	6/2009	Hynes	211/74
2011/0132853	A1 *	6/2011	Drobot et al.	211/42
2012/0273444	A1	11/2012	McCain	

FOREIGN PATENT DOCUMENTS

GB 2221149 A 1/1990

* cited by examiner

Primary Examiner — Terry Wallace

(74) *Attorney, Agent, or Firm* — Brian J. Teague

(57) **CLAIM**

I claim the ornamental design for a rack system for wine bottles, as shown and described.

DESCRIPTION

FIG. 1 is a perspective view of a rack system for wine bottles showing the new design.

FIG. 2 is a front view thereof.

FIG. 3 is a rear view thereof.

FIG. 4 is a left side view thereof.

FIG. 5 is a right side view thereof.

FIG. 6 is a top view thereof.

FIG. 7 is a bottom view thereof.

FIG. 8 is a perspective view thereof, showing the system in use.

FIG. 9 is a perspective view of an alternative embodiment of a rack system for wine bottles.

FIG. 10 is a front view thereof.

FIG. 11 is a rear view thereof.

FIG. 12 is a left side view thereof.

FIG. 13 is a right side view thereof.

FIG. 14 is a top view thereof.

FIG. 15 is a bottom view thereof.

FIG. 16 is a perspective view thereof, showing the system in use.

FIG. 17 is a perspective view of an alternative embodiment of a rack system for wine bottles.

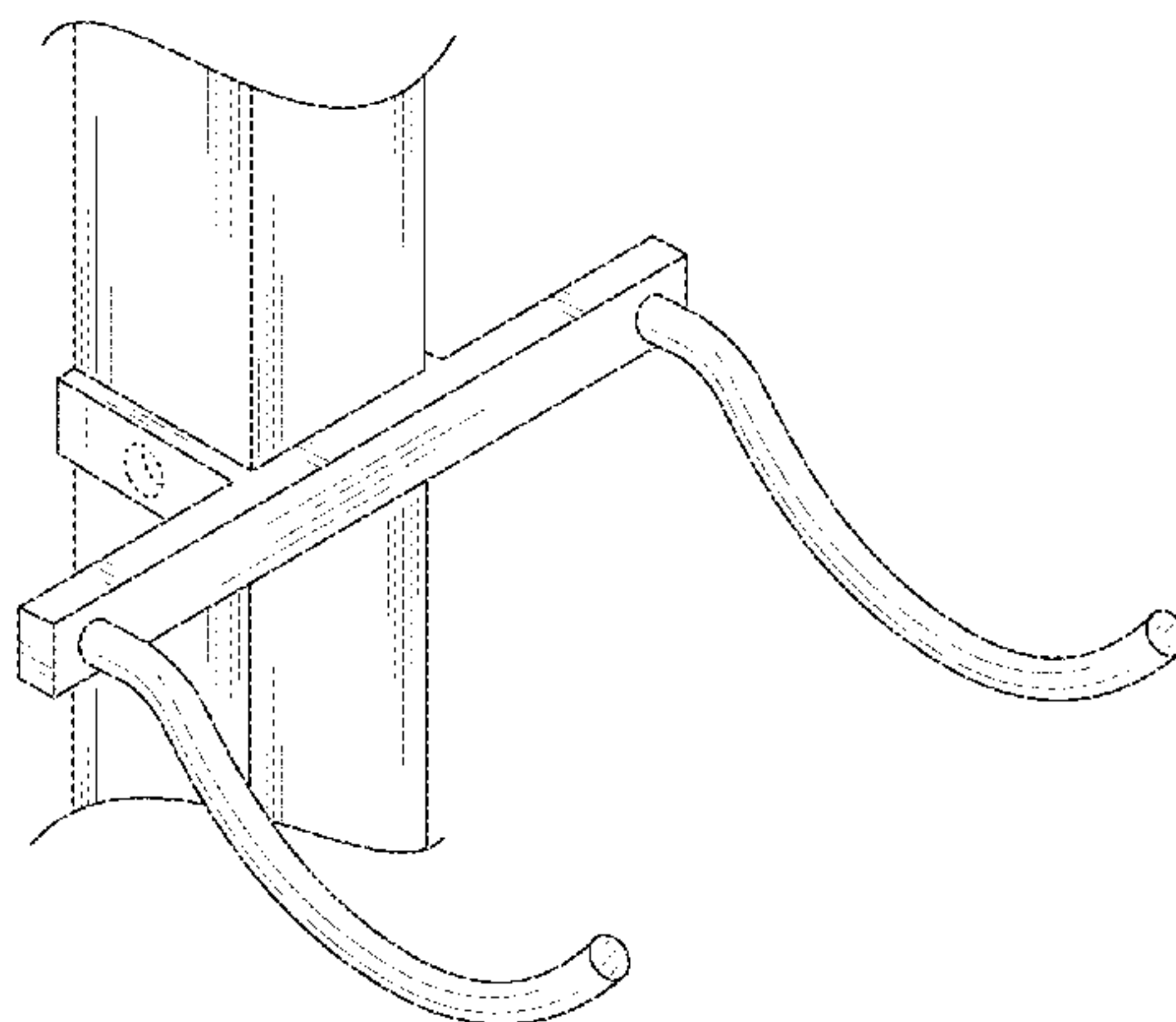


FIG. 18 is a front view thereof.
FIG. 19 is a rear view thereof.
FIG. 20 is a left side view thereof.
FIG. 21 is a right side view thereof.
FIG. 22 is a top view thereof.
FIG. 23 is a bottom view thereof.
FIG. 24 is a perspective view thereof, showing the system in use.
FIG. 25 is a perspective view of an alternative embodiment of a rack system for wine bottles.
FIG. 26 is a front view thereof.
FIG. 27 is a right side view thereof.
FIG. 28 is a rear view thereof.
FIG. 29 is a left side view thereof.
FIG. 30 is a top view thereof.
FIG. 31 is a bottom view thereof.

FIG. 32 is a perspective view thereof, showing the system in use.
FIG. 33 is a perspective view of an alternative embodiment of a rack system for wine bottles.
FIG. 34 is a front view thereof.
FIG. 35 is a rear view thereof.
FIG. 36 is a left side view thereof.
FIG. 37 is a right side view thereof.
FIG. 38 is a top view thereof;
FIG. 39 is a bottom view thereof; and,
FIG. 40 is a perspective view thereof, showing the system in use.
In the drawings, the broken lines shown in the figures depict unclaimed subject matter and environmental structure, and form no part of the claimed design.

1 Claim, 40 Drawing Sheets

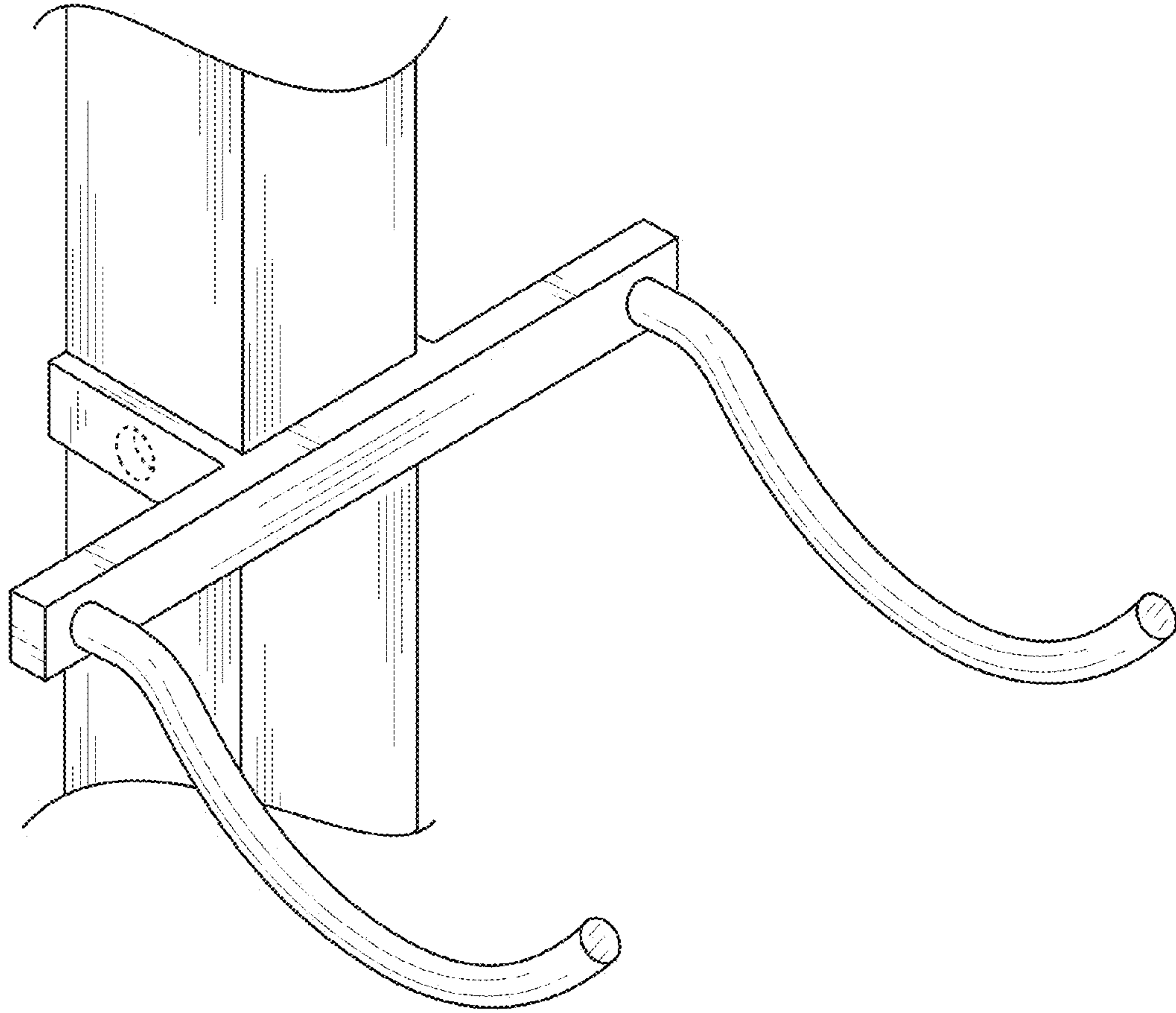


FIG. 1

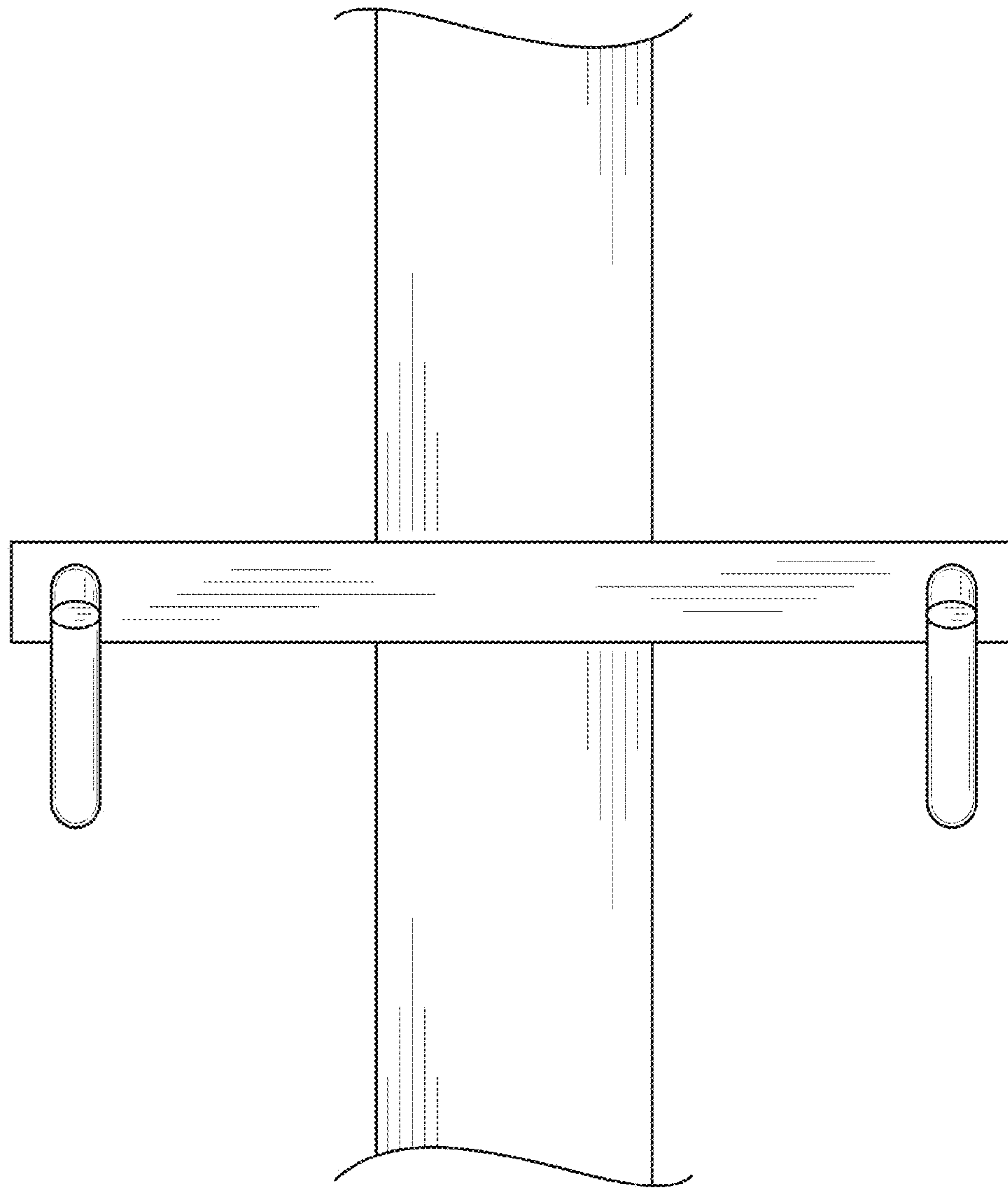


FIG. 2

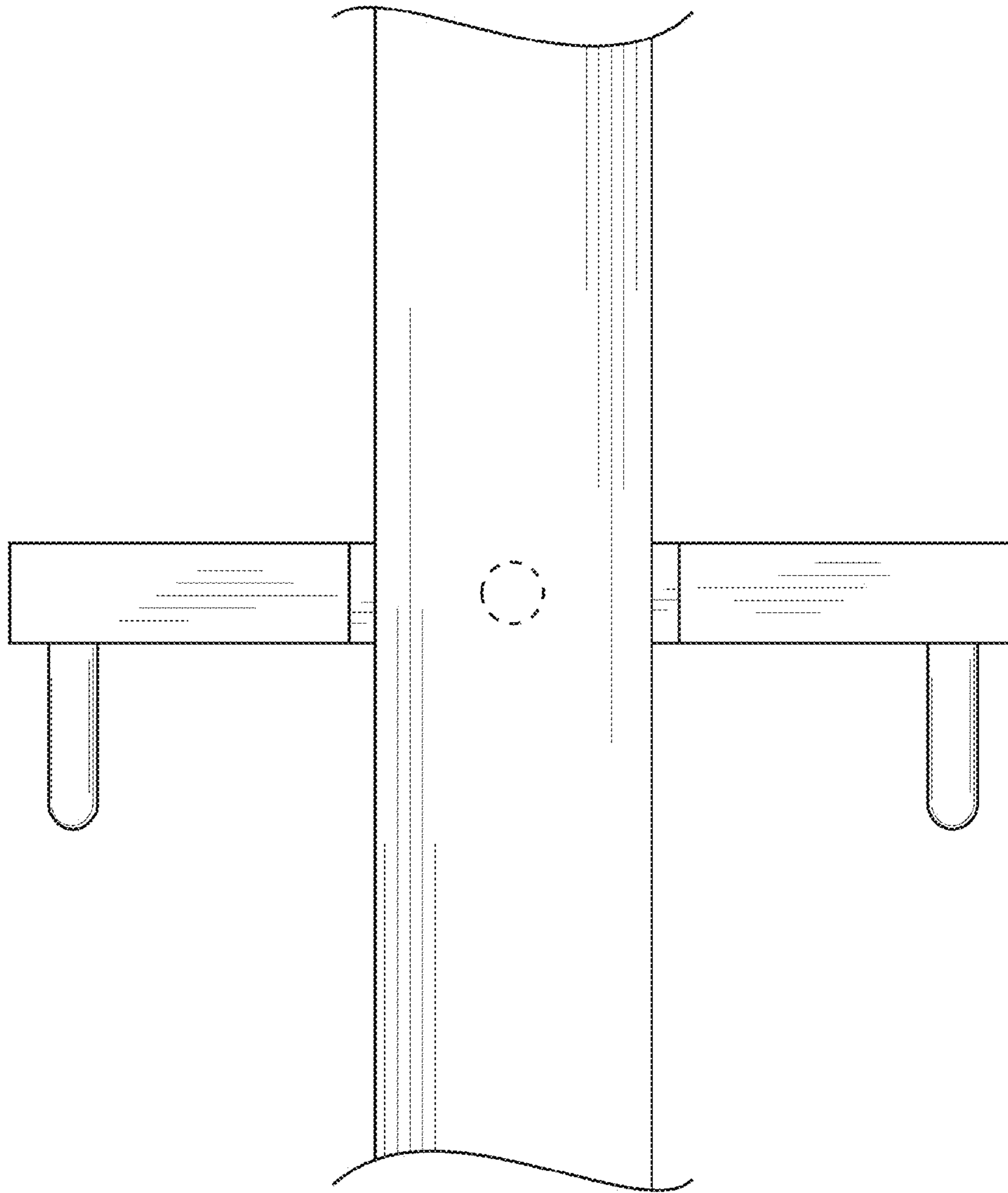


FIG. 3

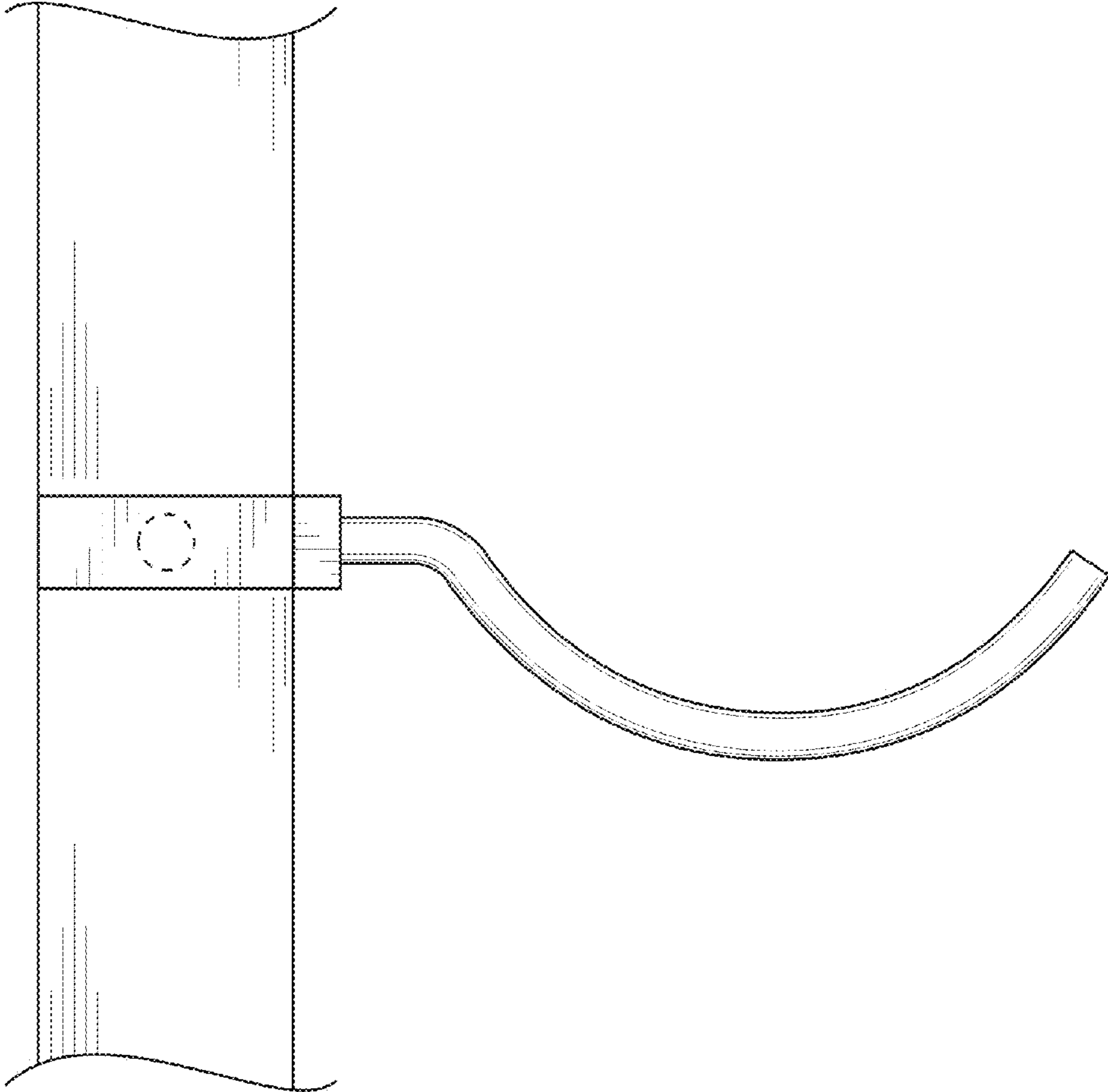


FIG. 4

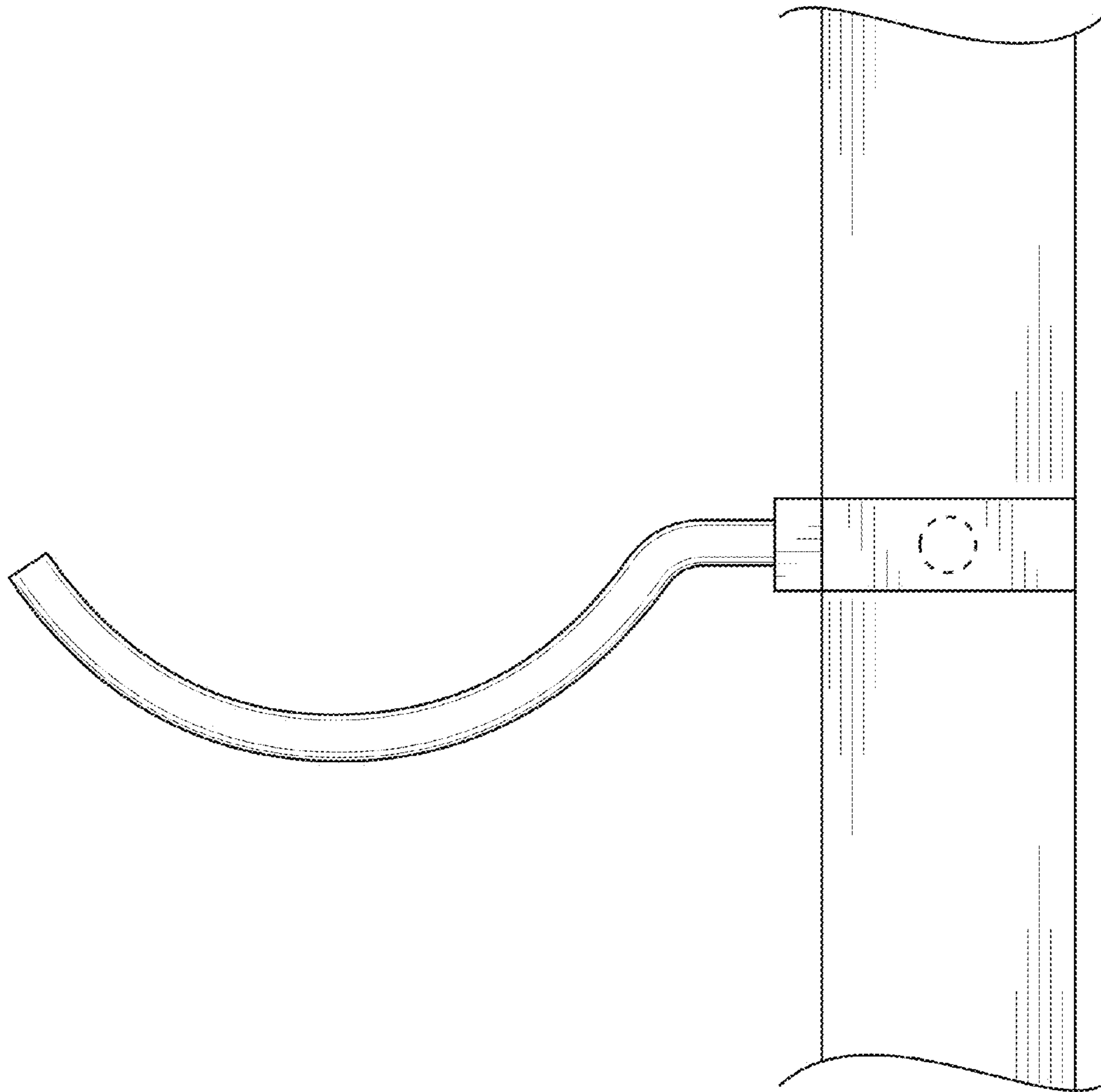


FIG. 5

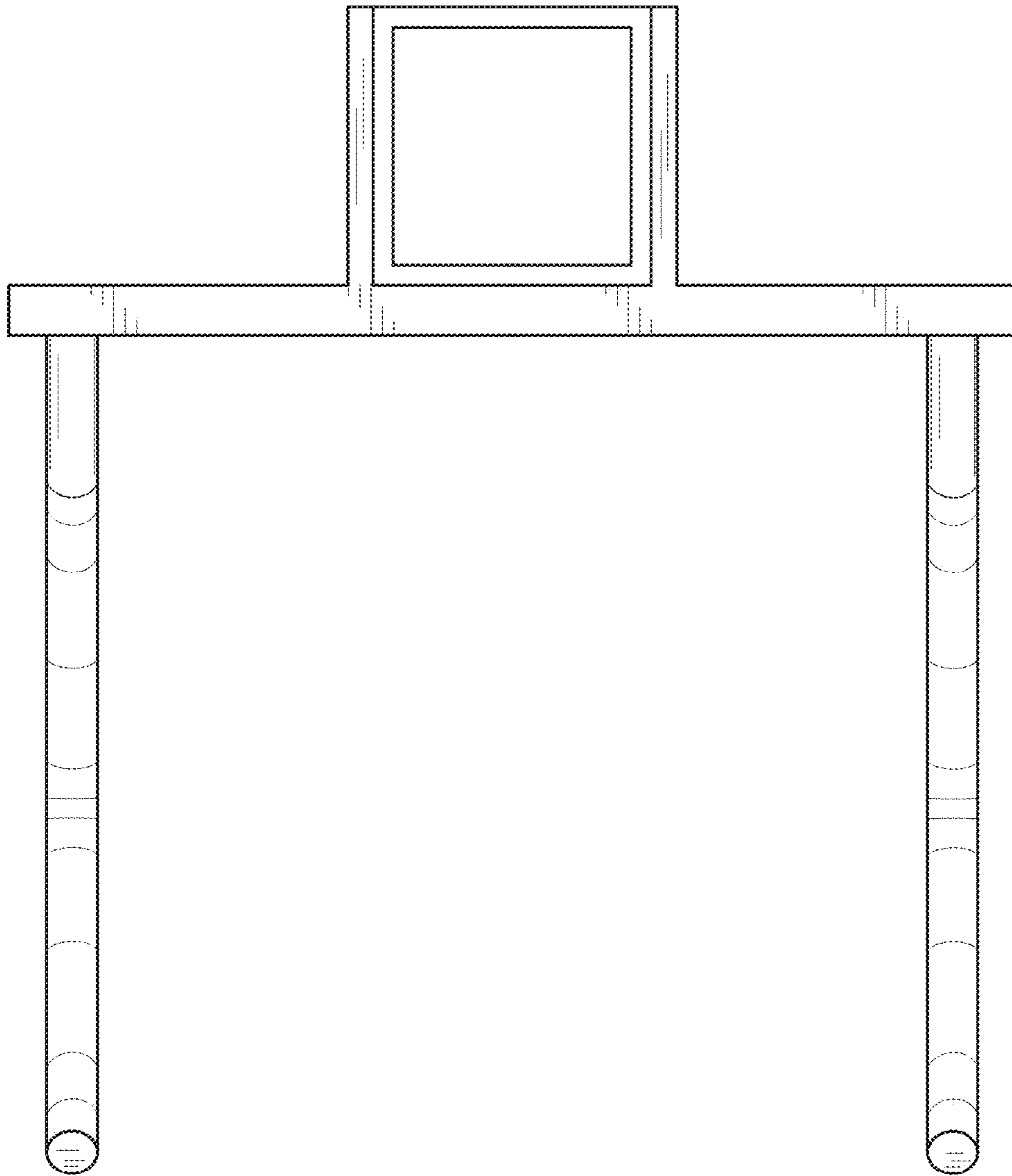


FIG. 6

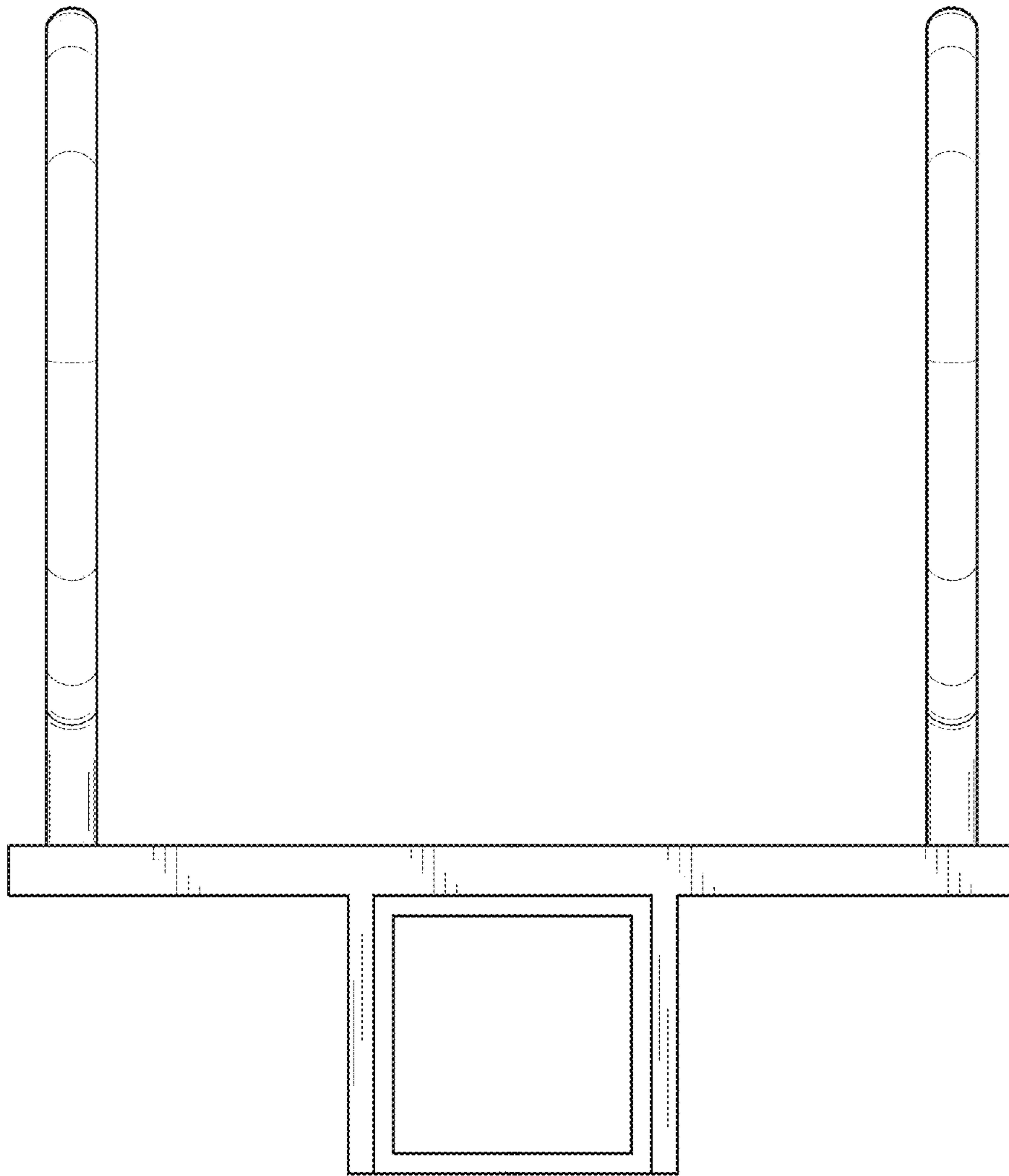


FIG. 7

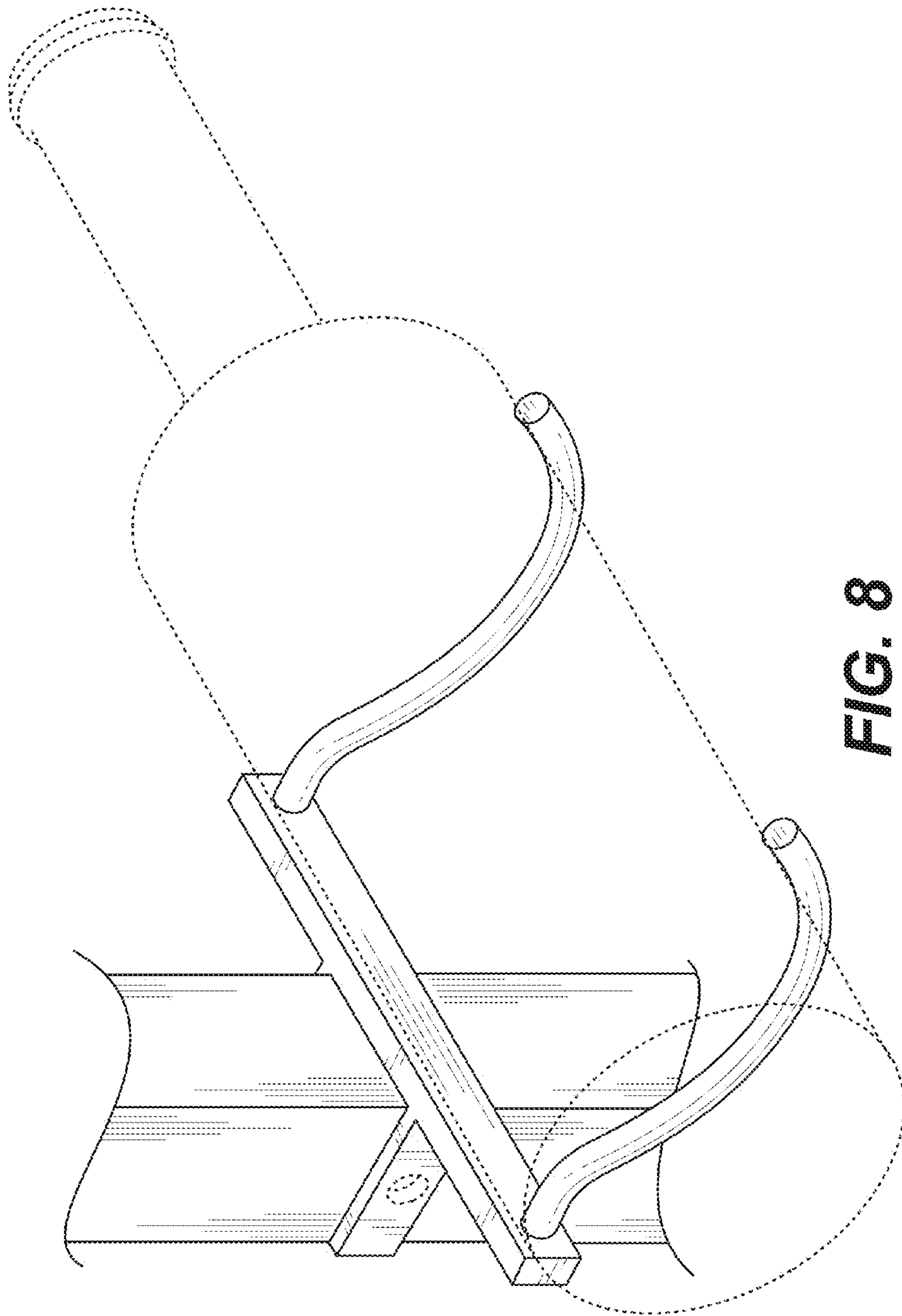


FIG. 8

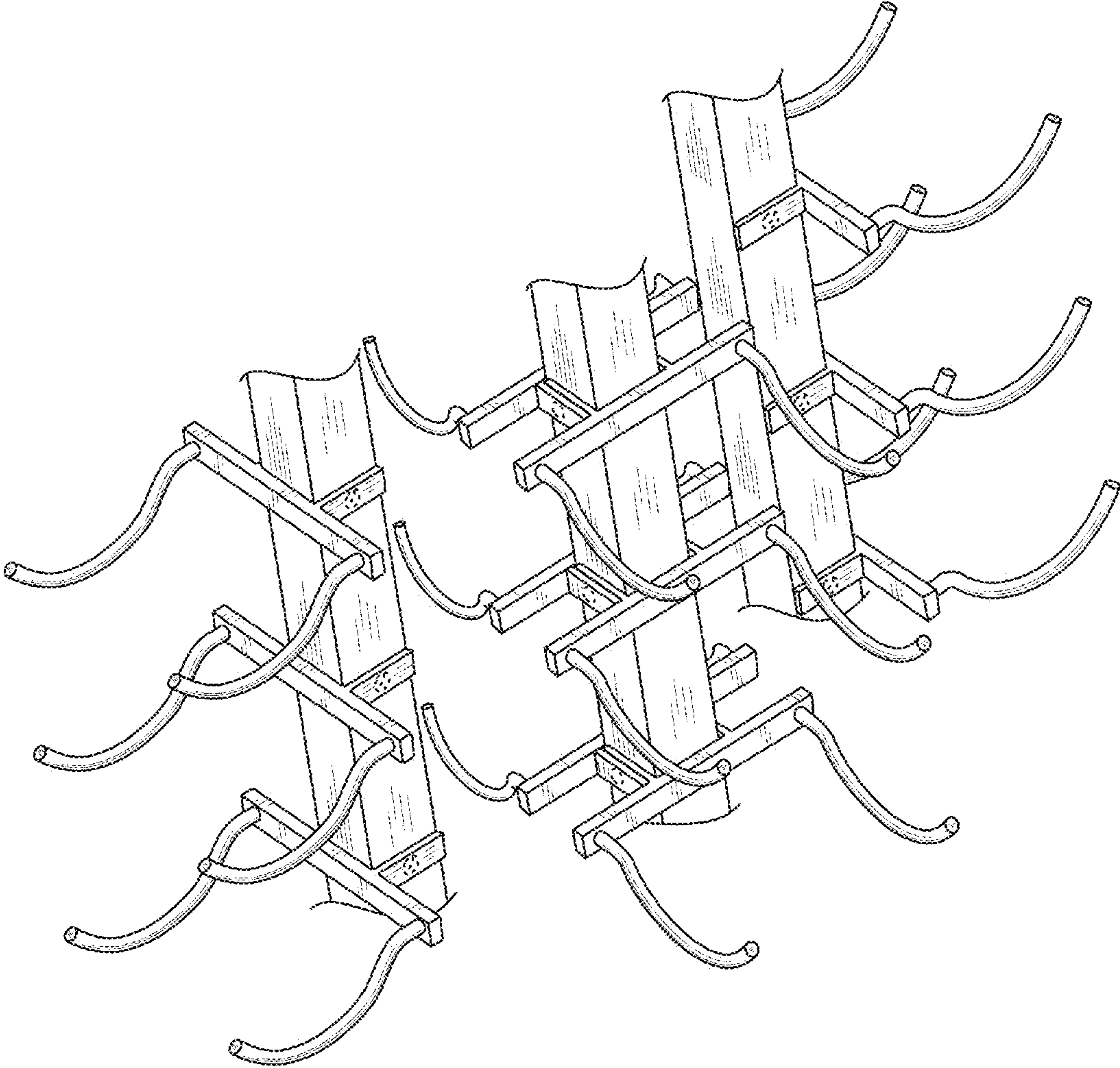


FIG. 9

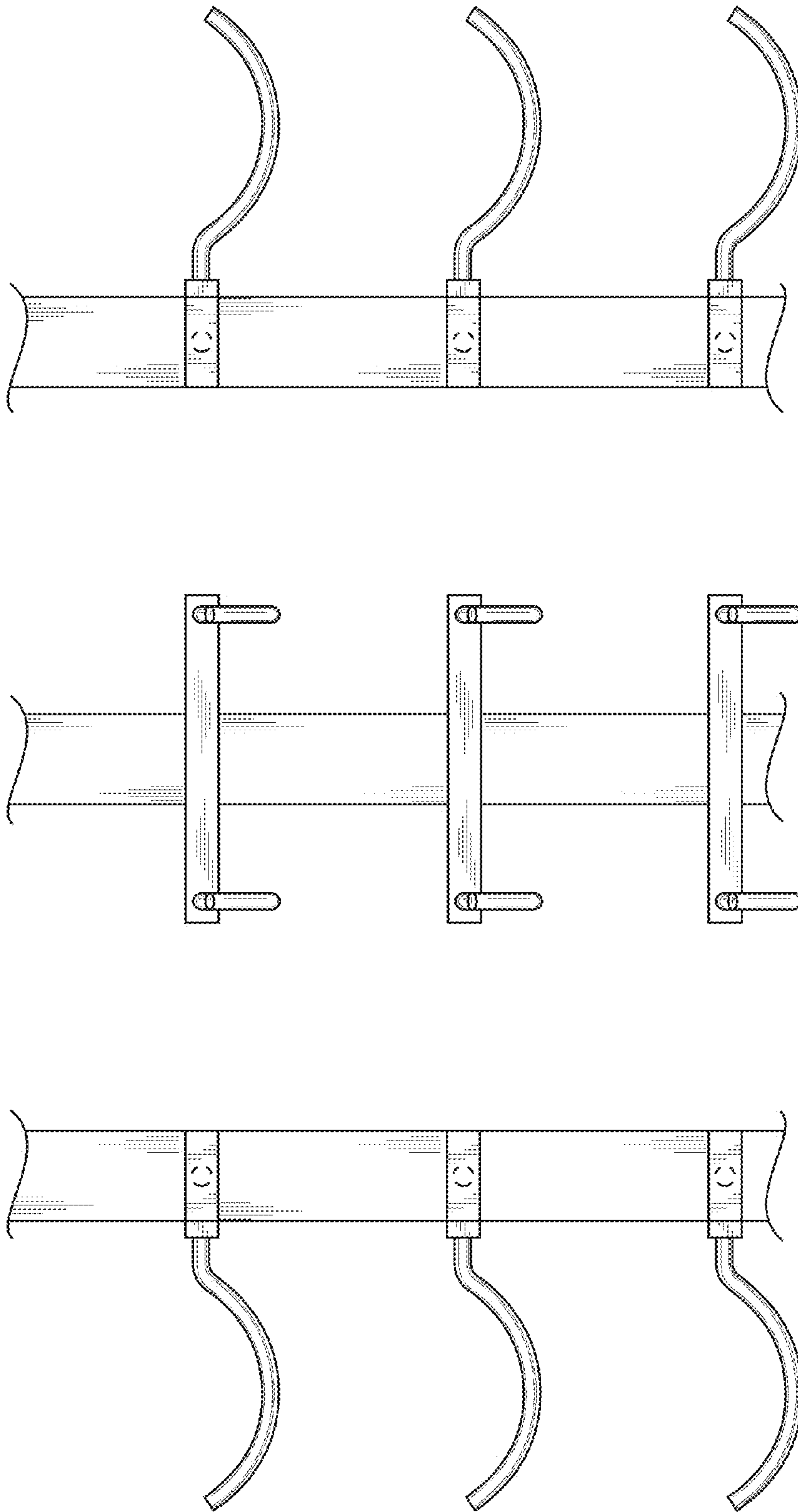


FIG. 10

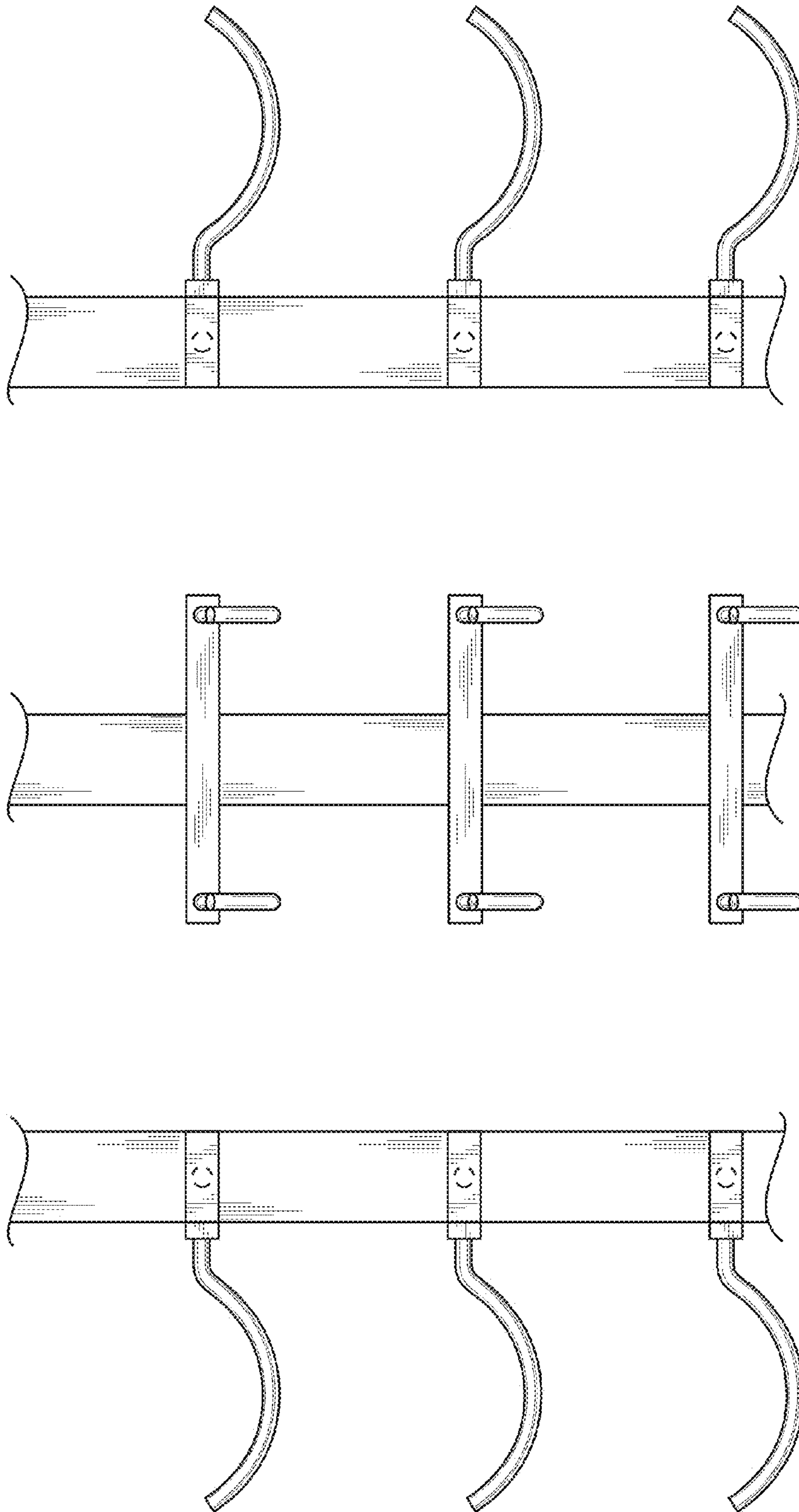


FIG. 11

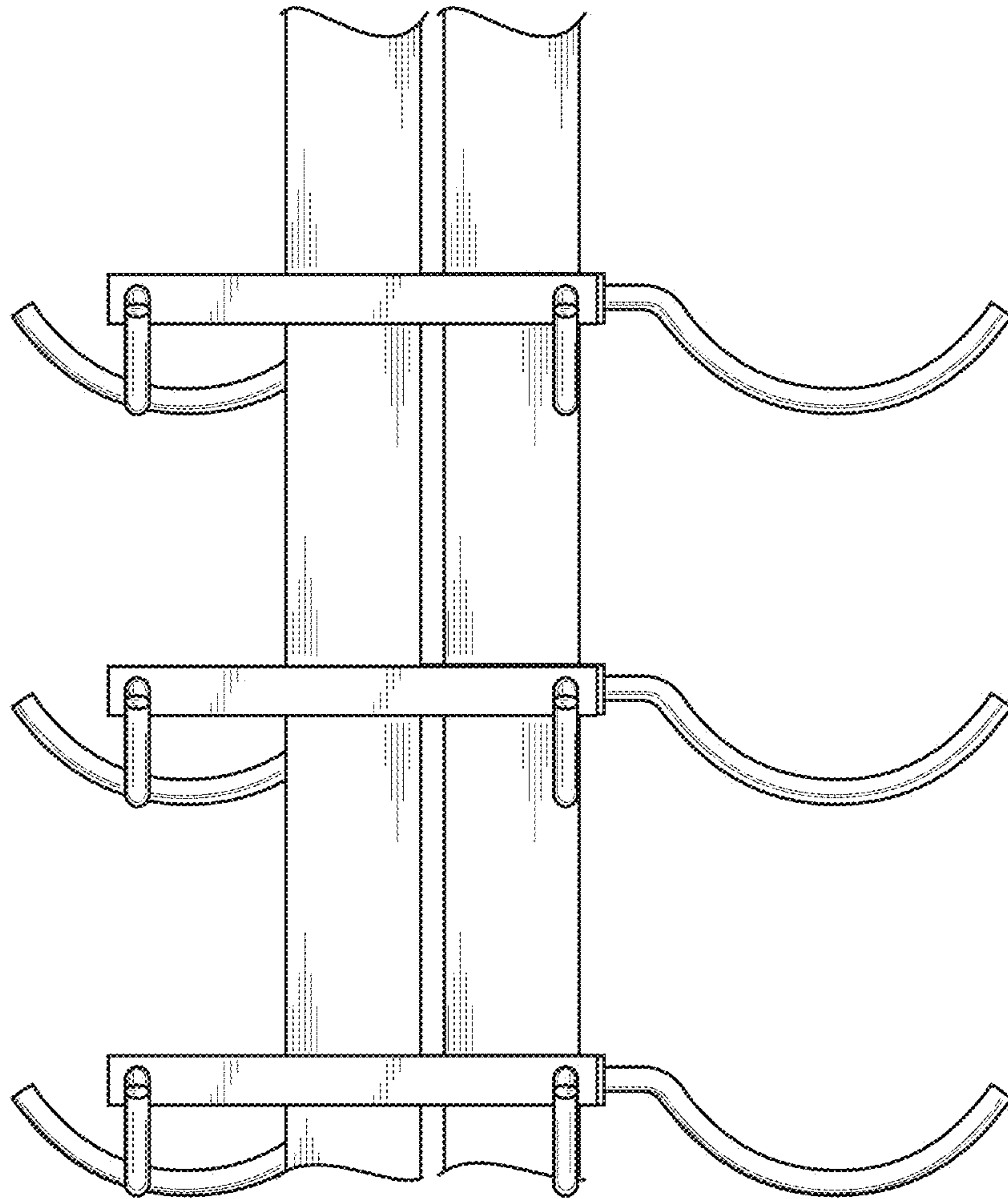


FIG. 12

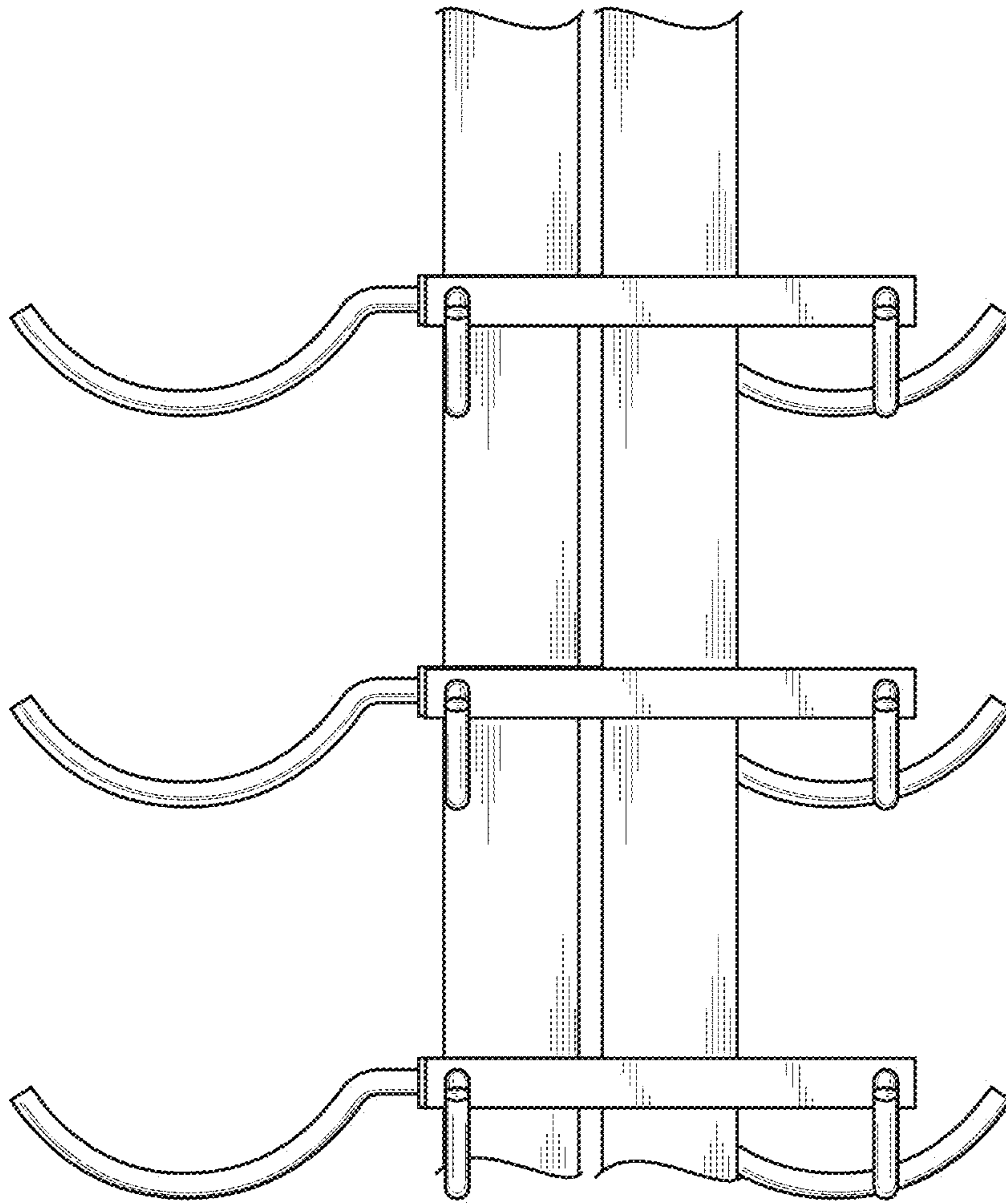


FIG. 13

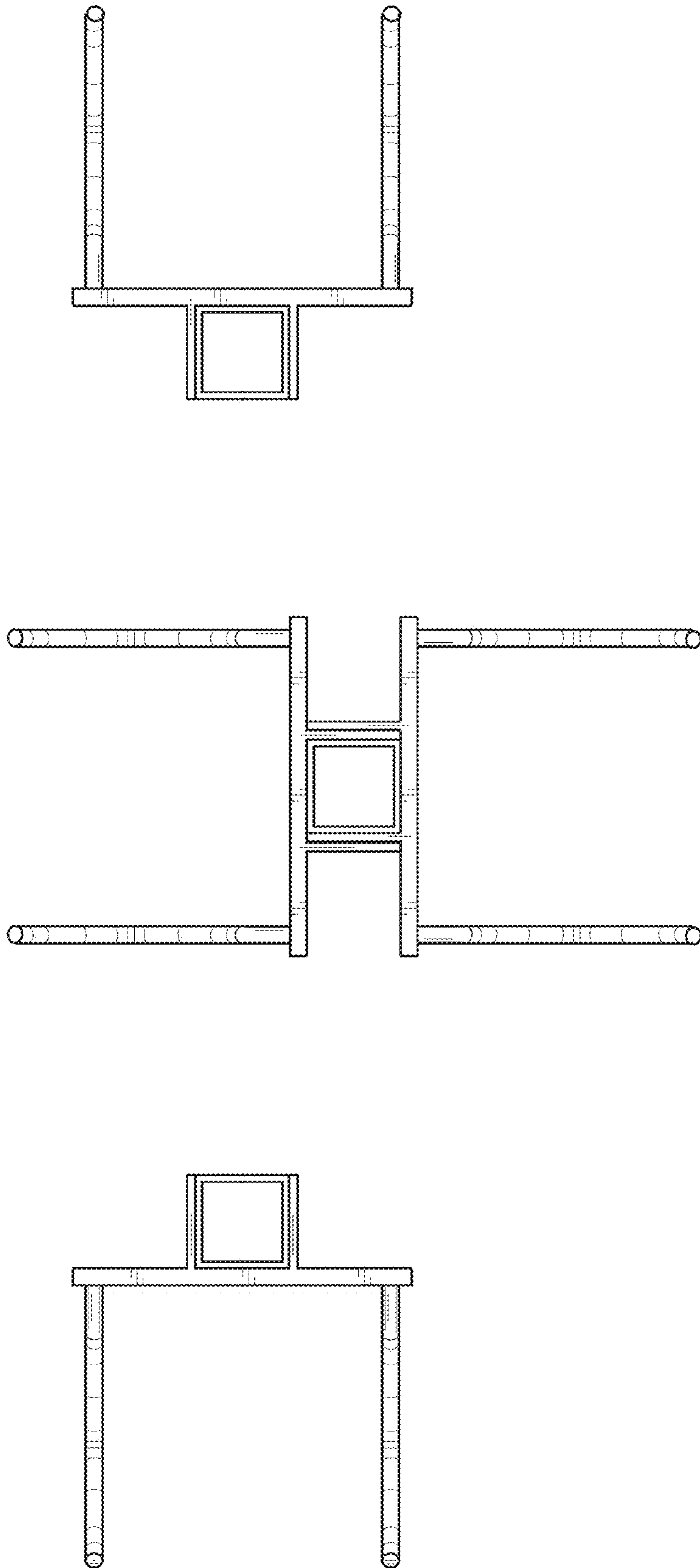


FIG. 14

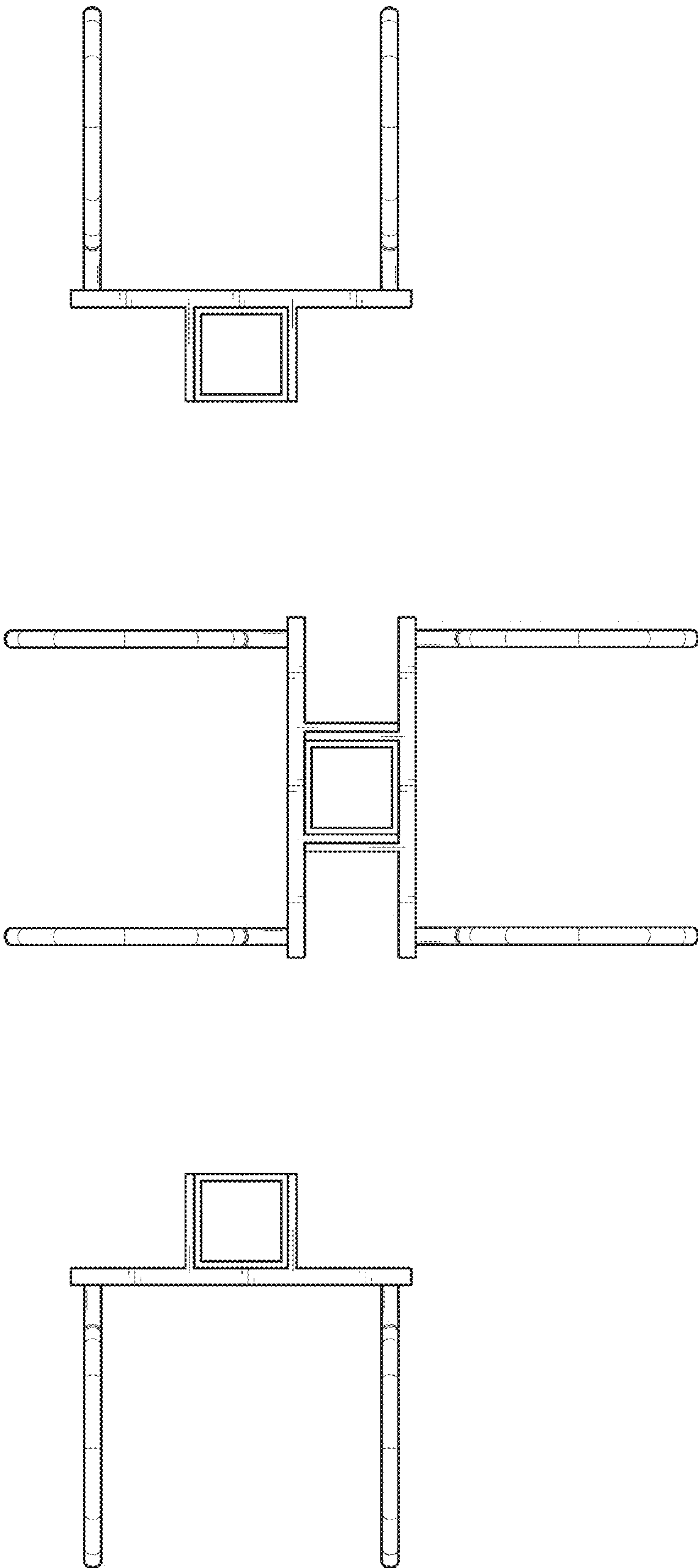


FIG. 15

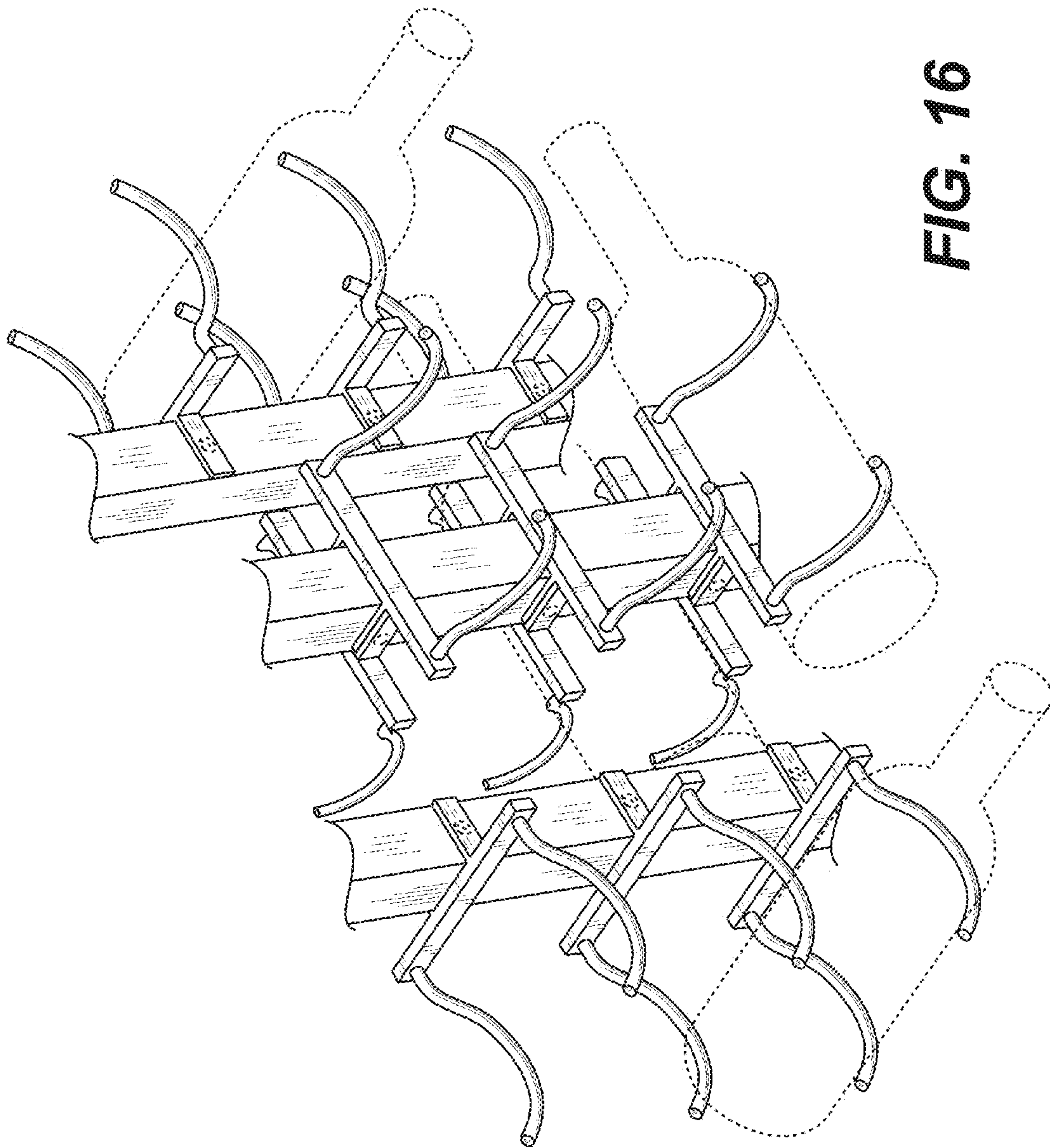


FIG. 16

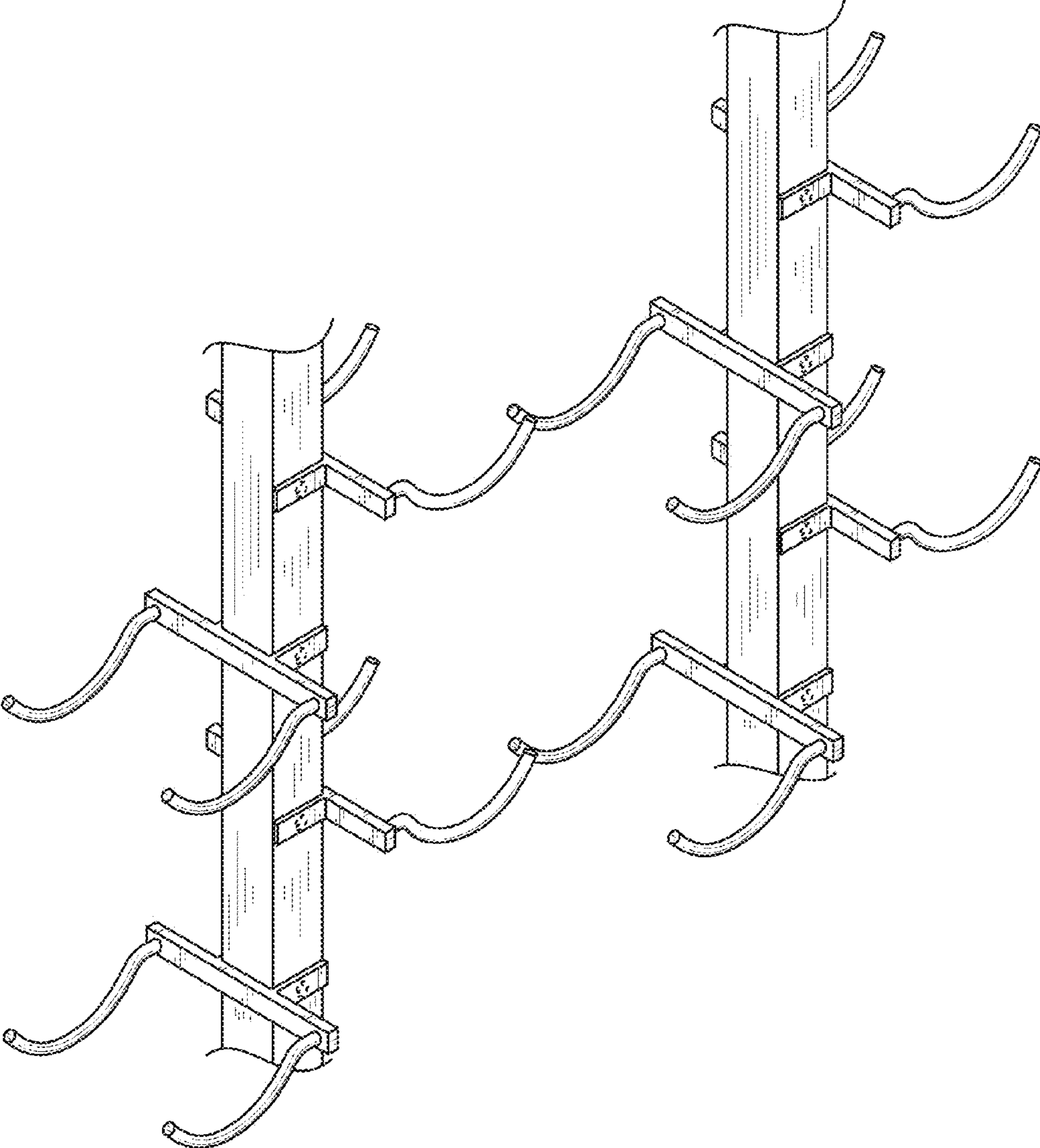


FIG. 17

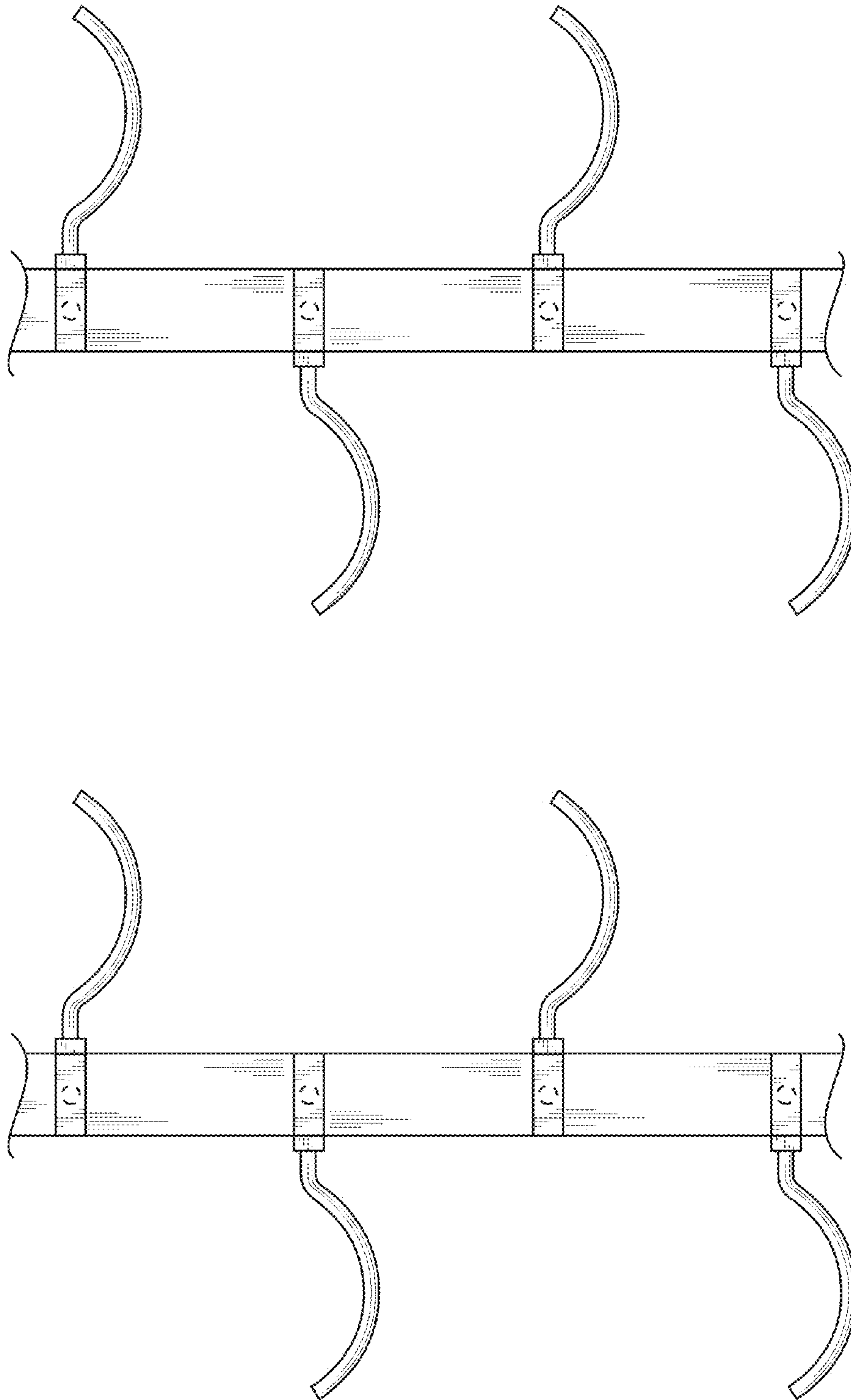


FIG. 18

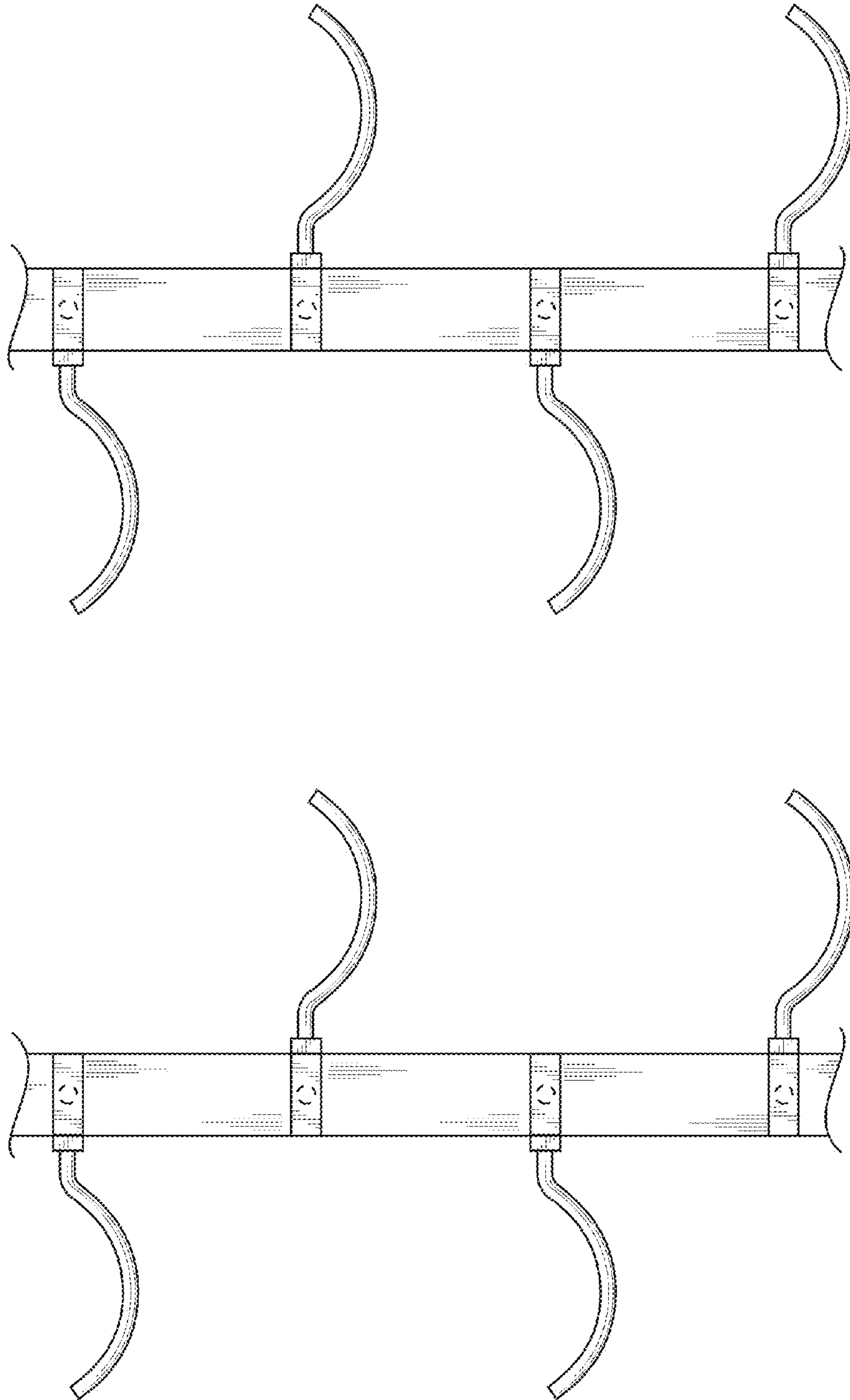


FIG. 19

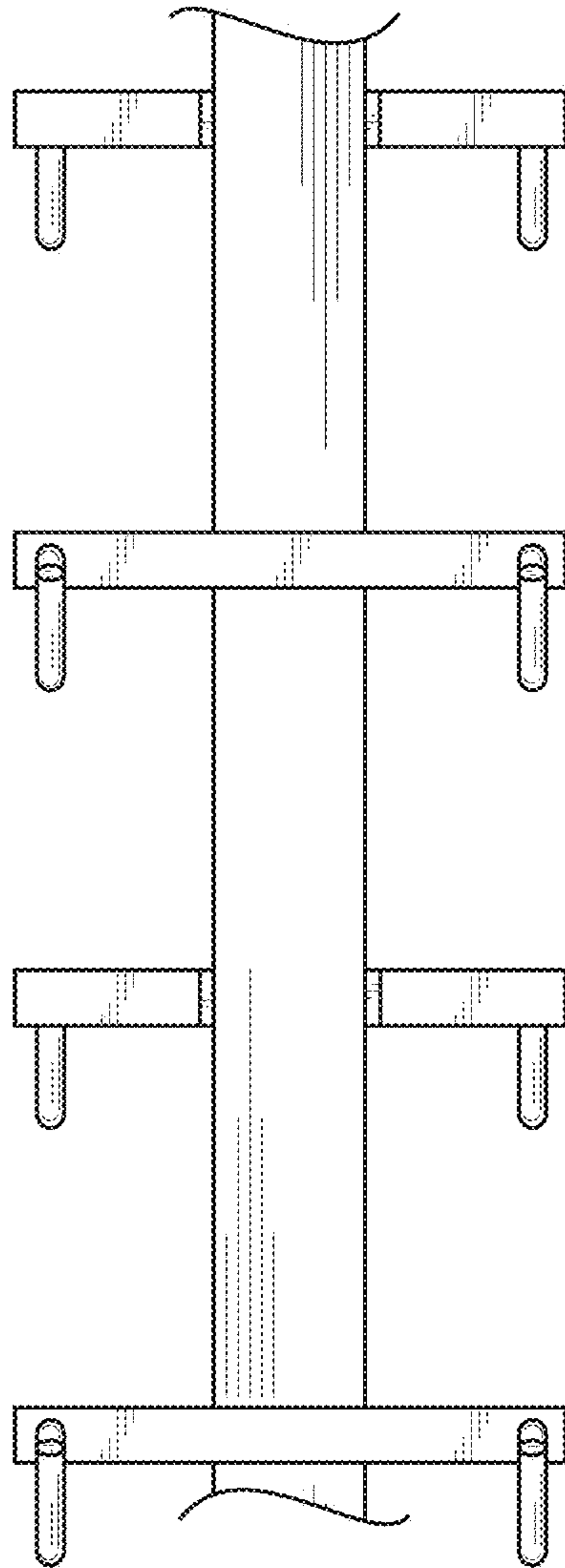


FIG. 20

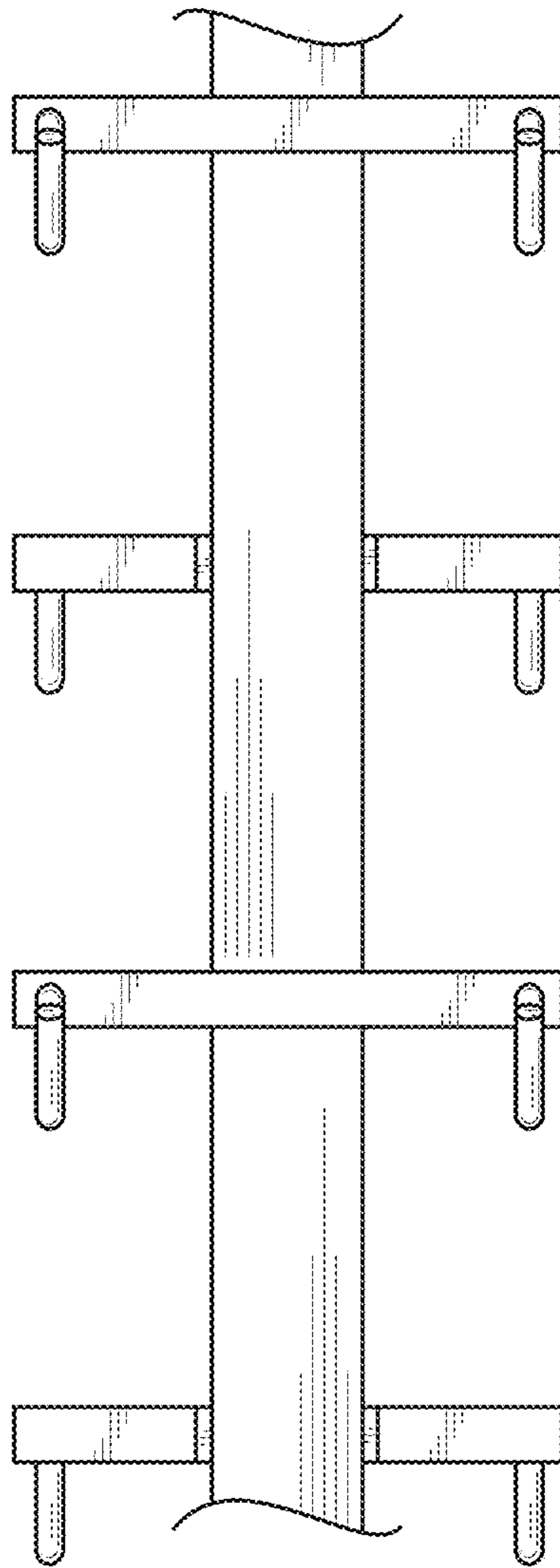


FIG. 21

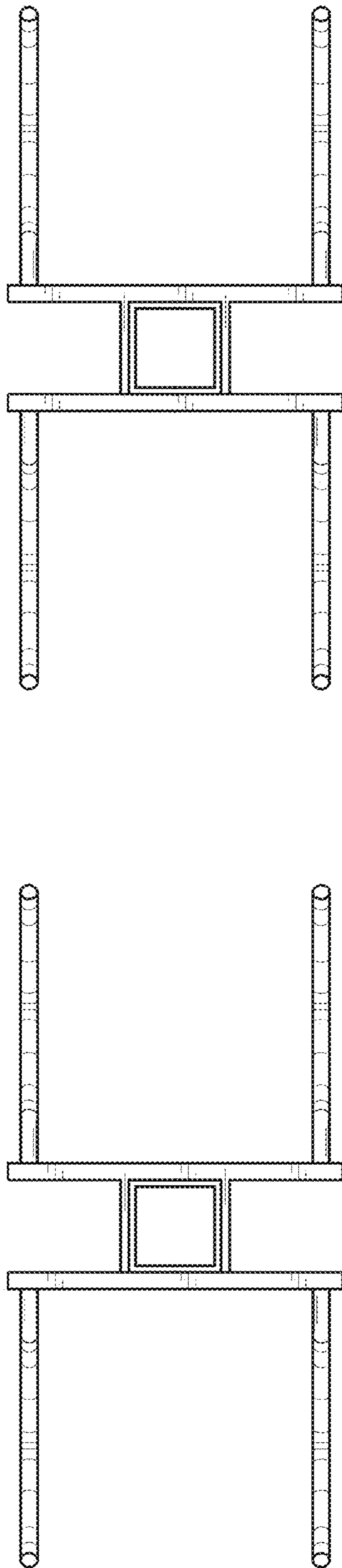


FIG. 22

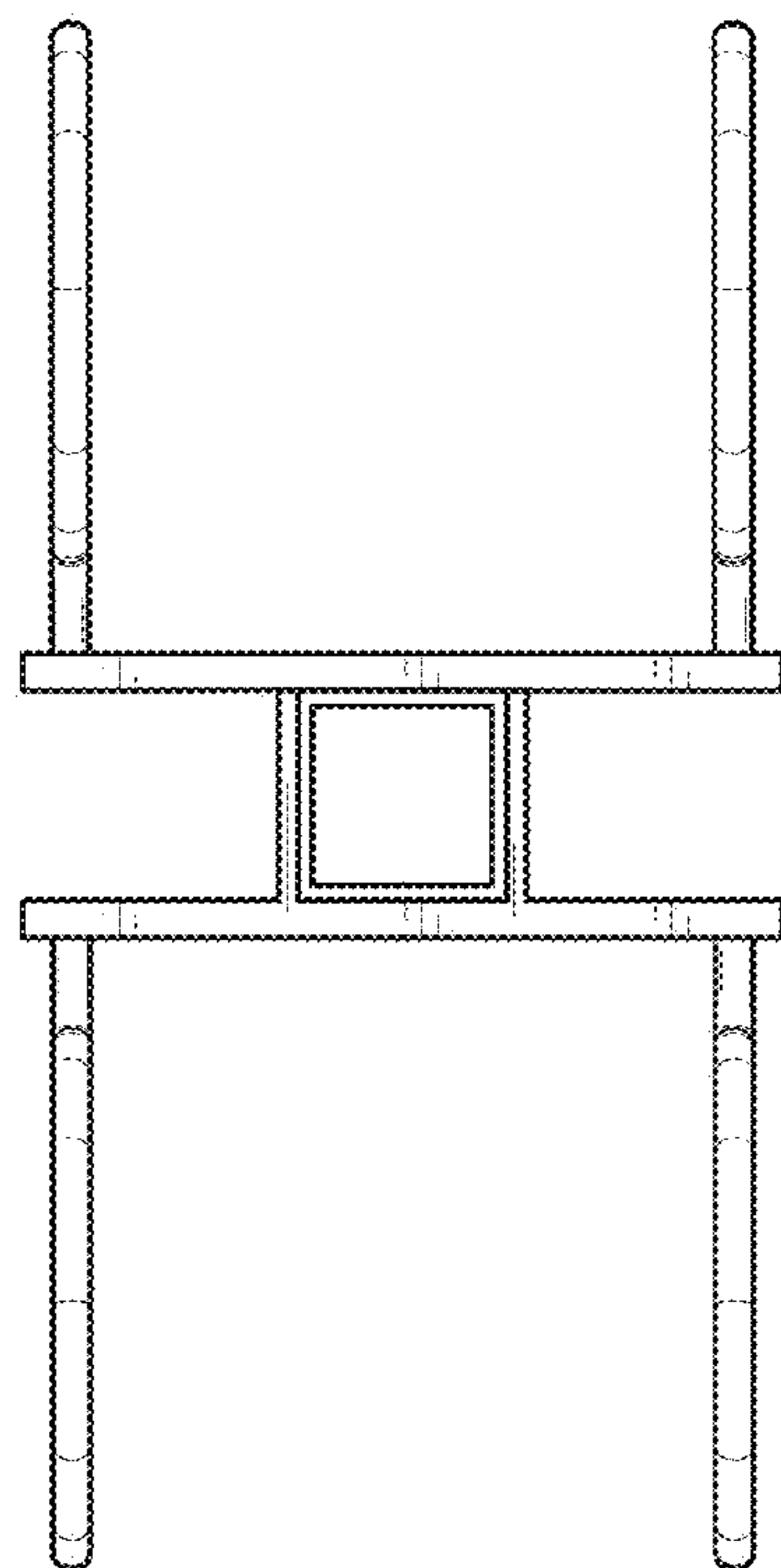
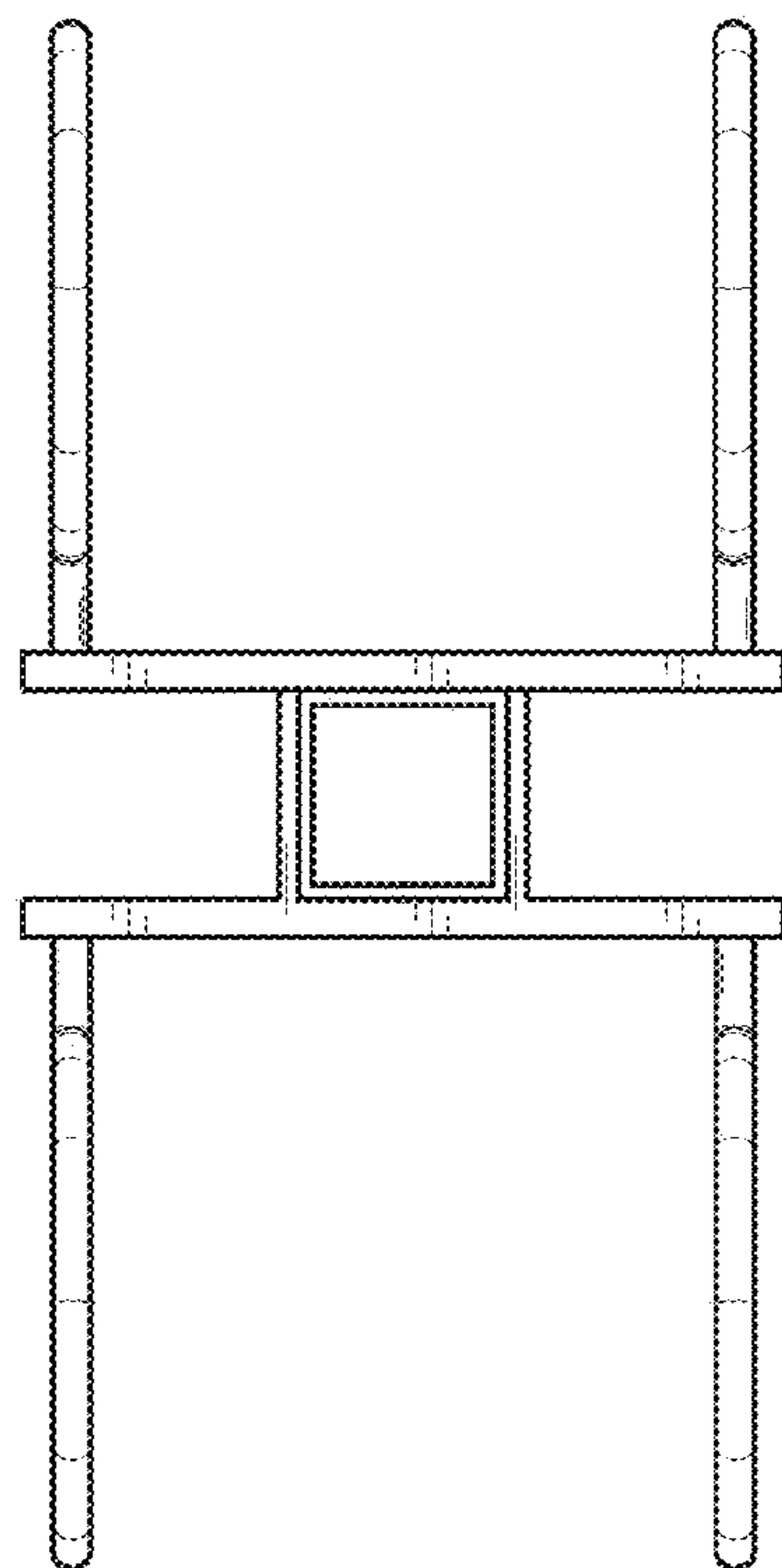


FIG. 23

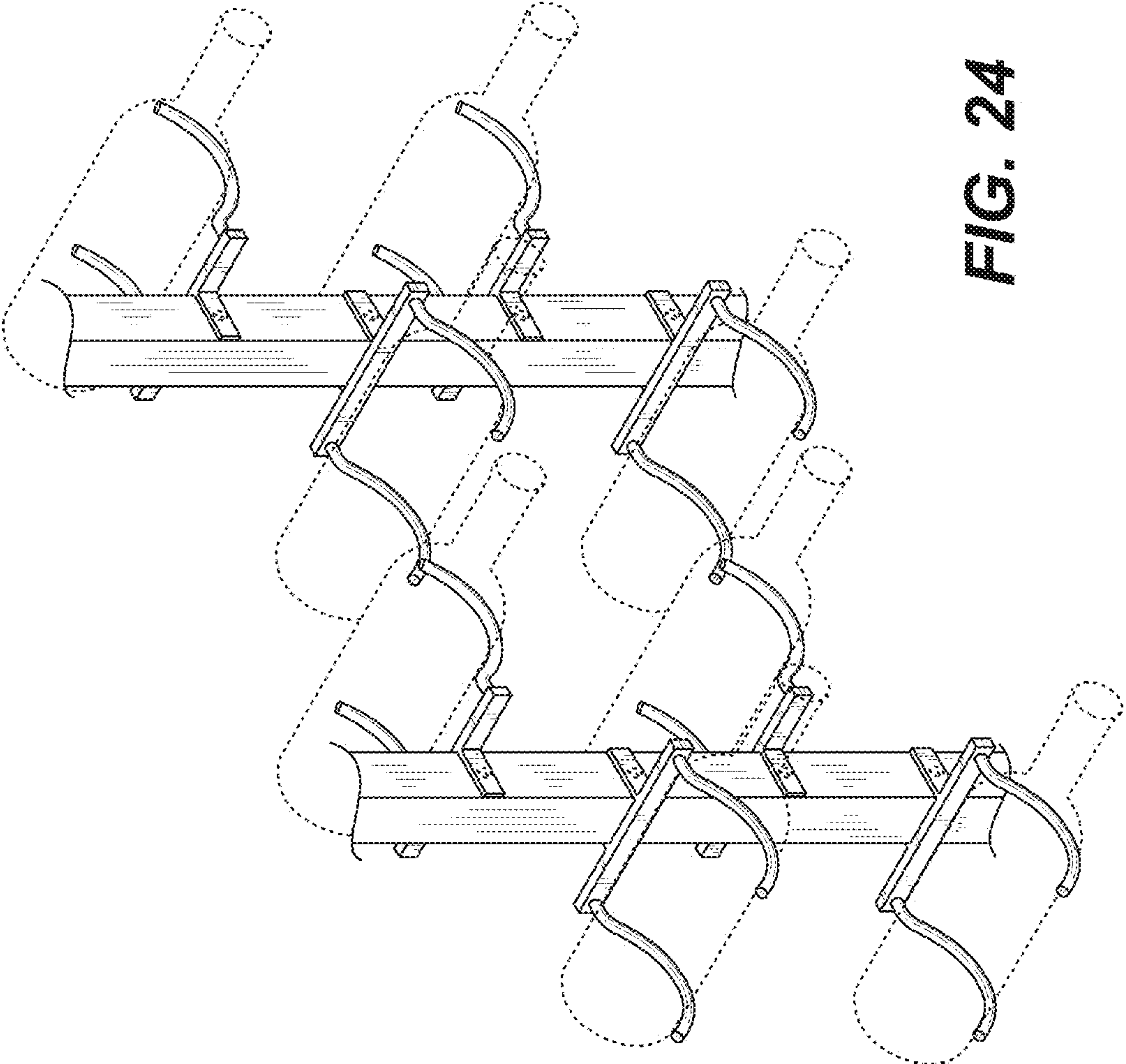


FIG. 24

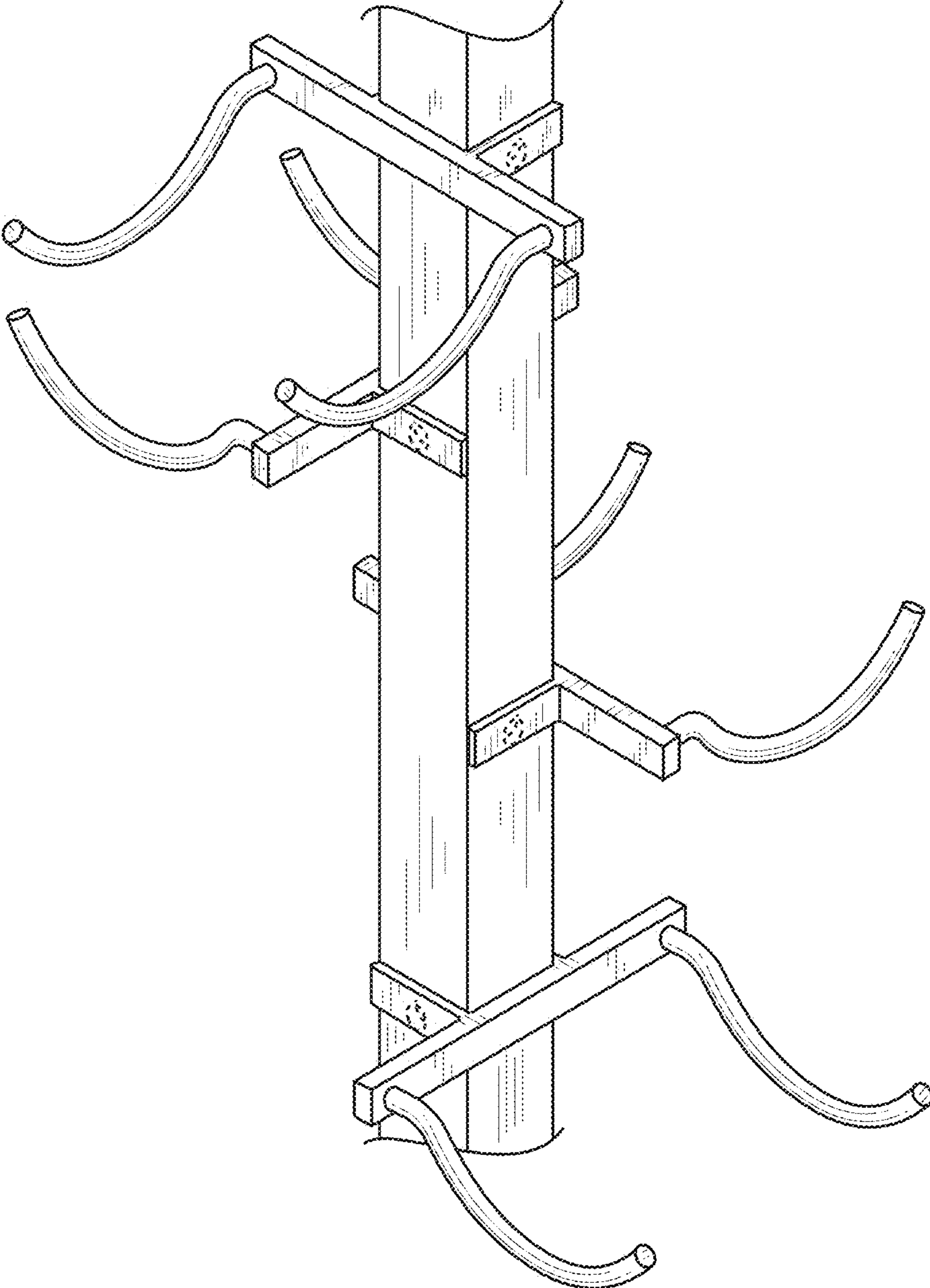


FIG. 25

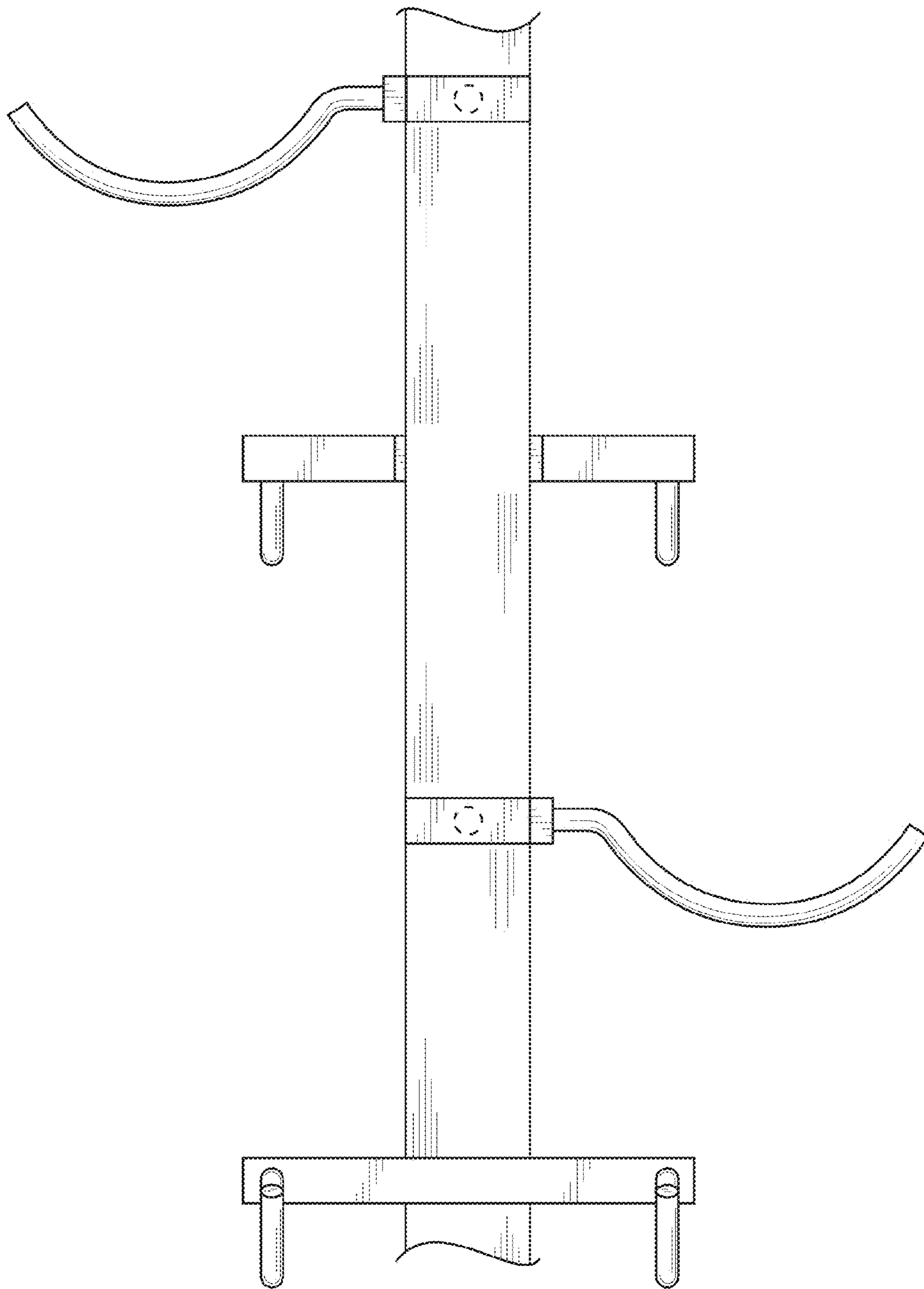


FIG. 26

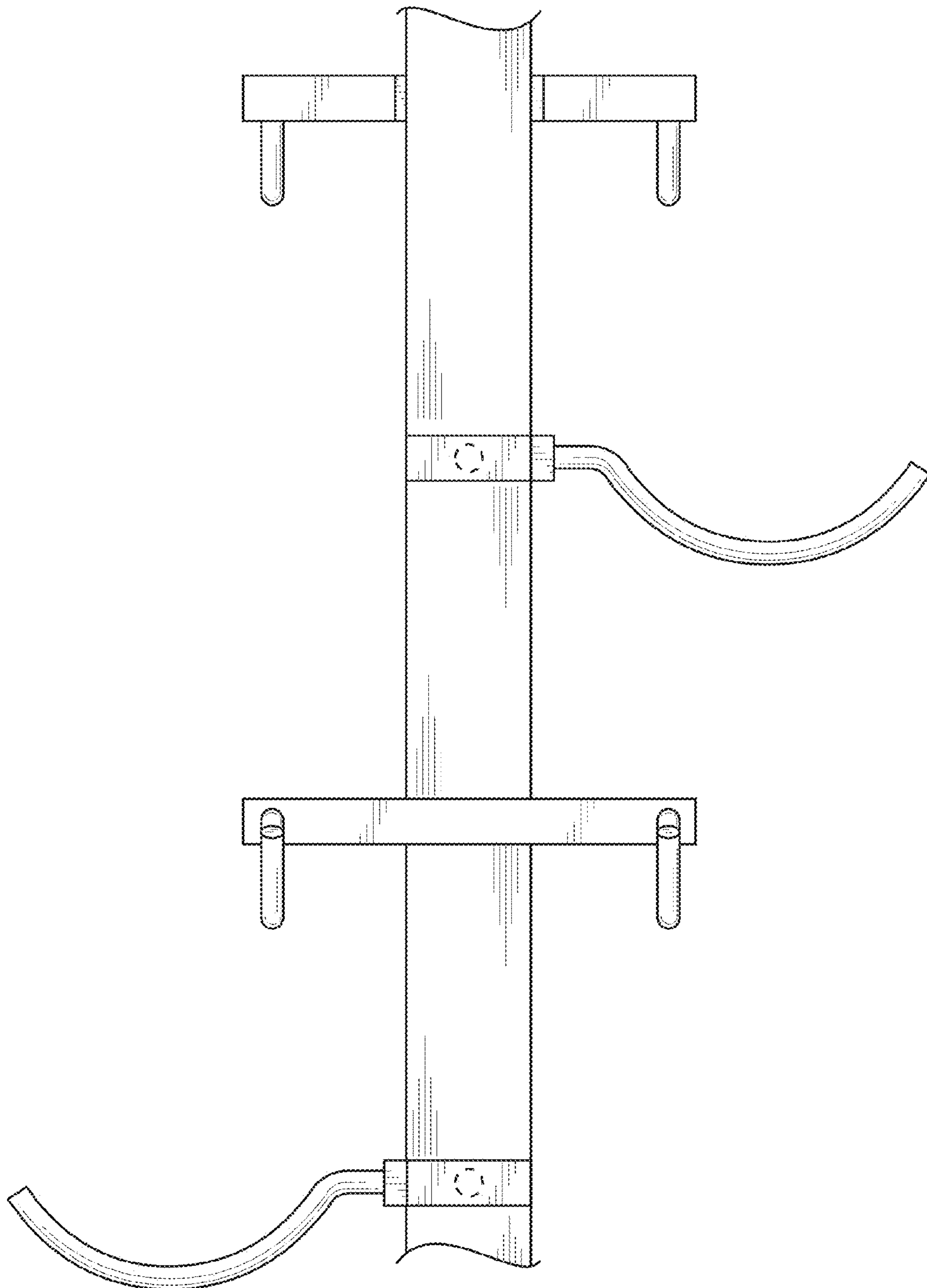


FIG. 27

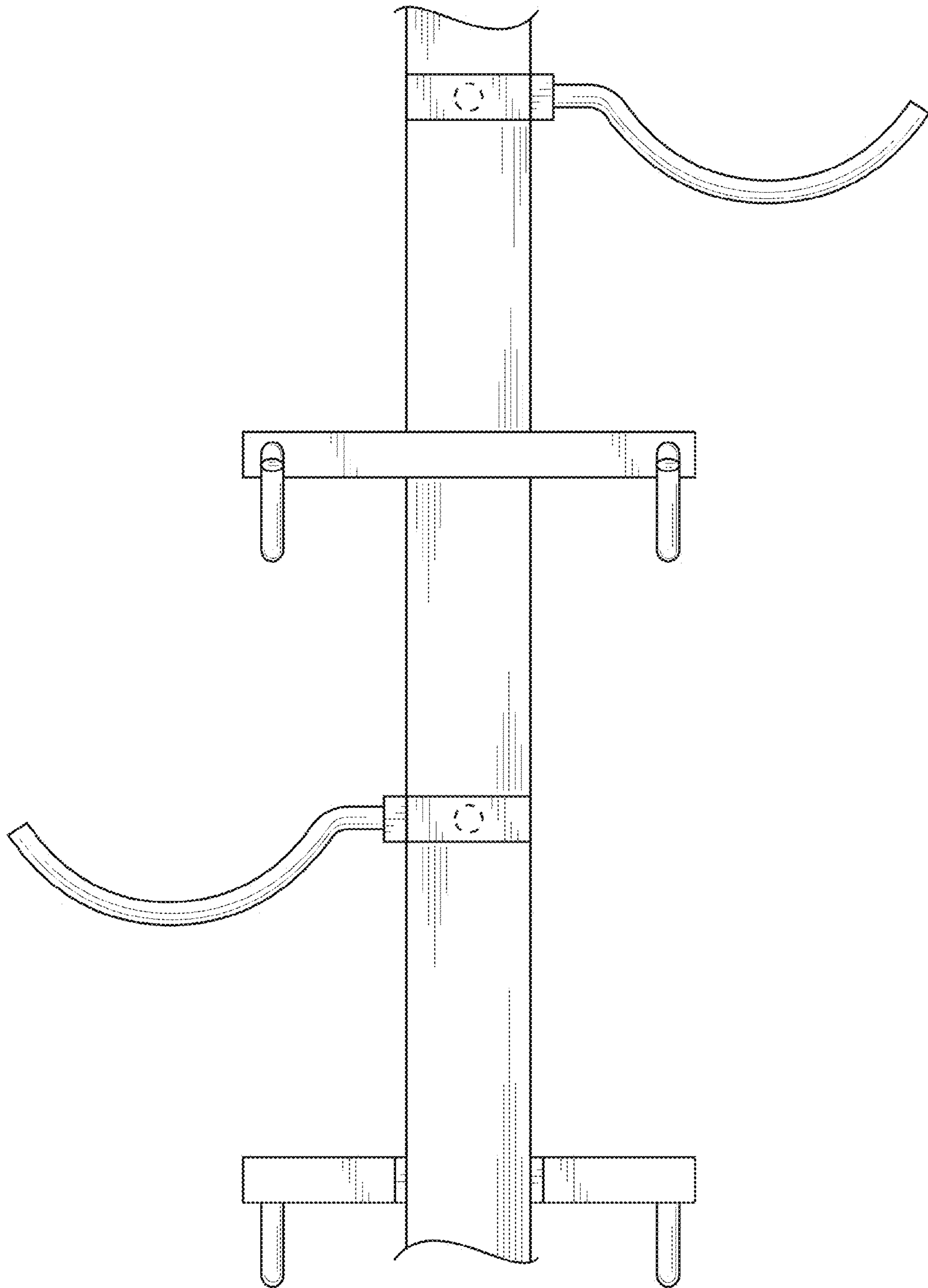


FIG. 28

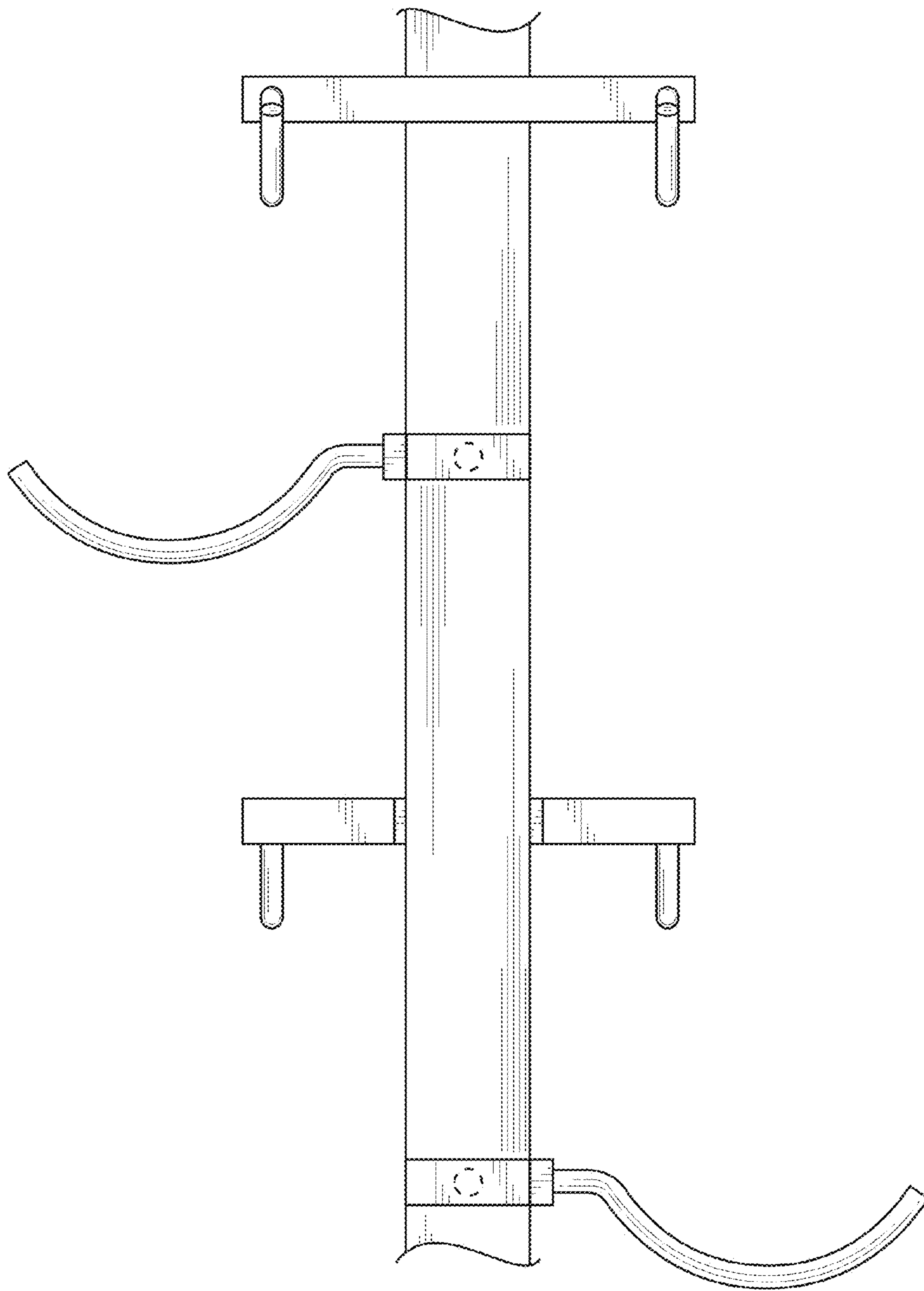


FIG. 29

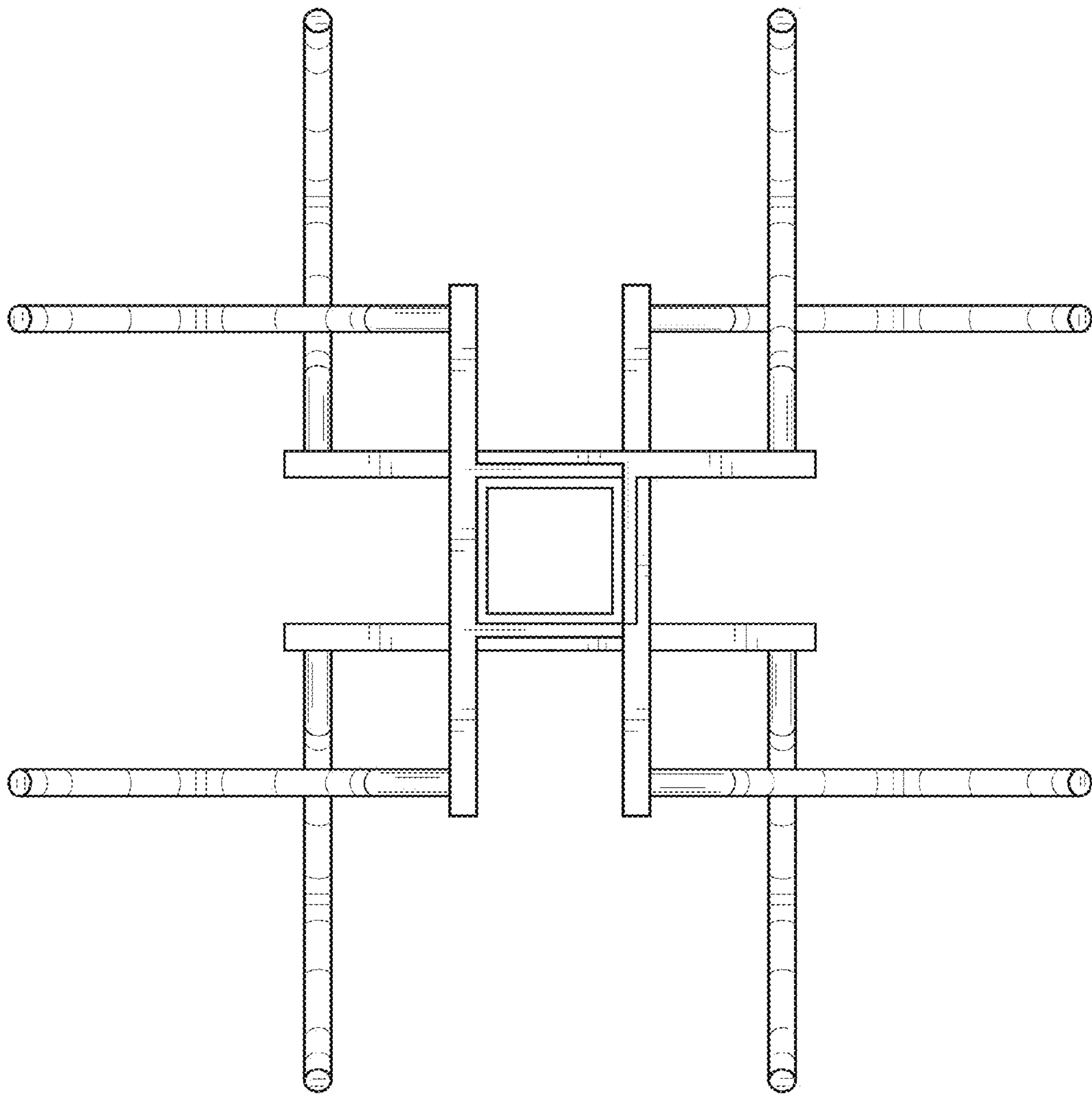


FIG. 30

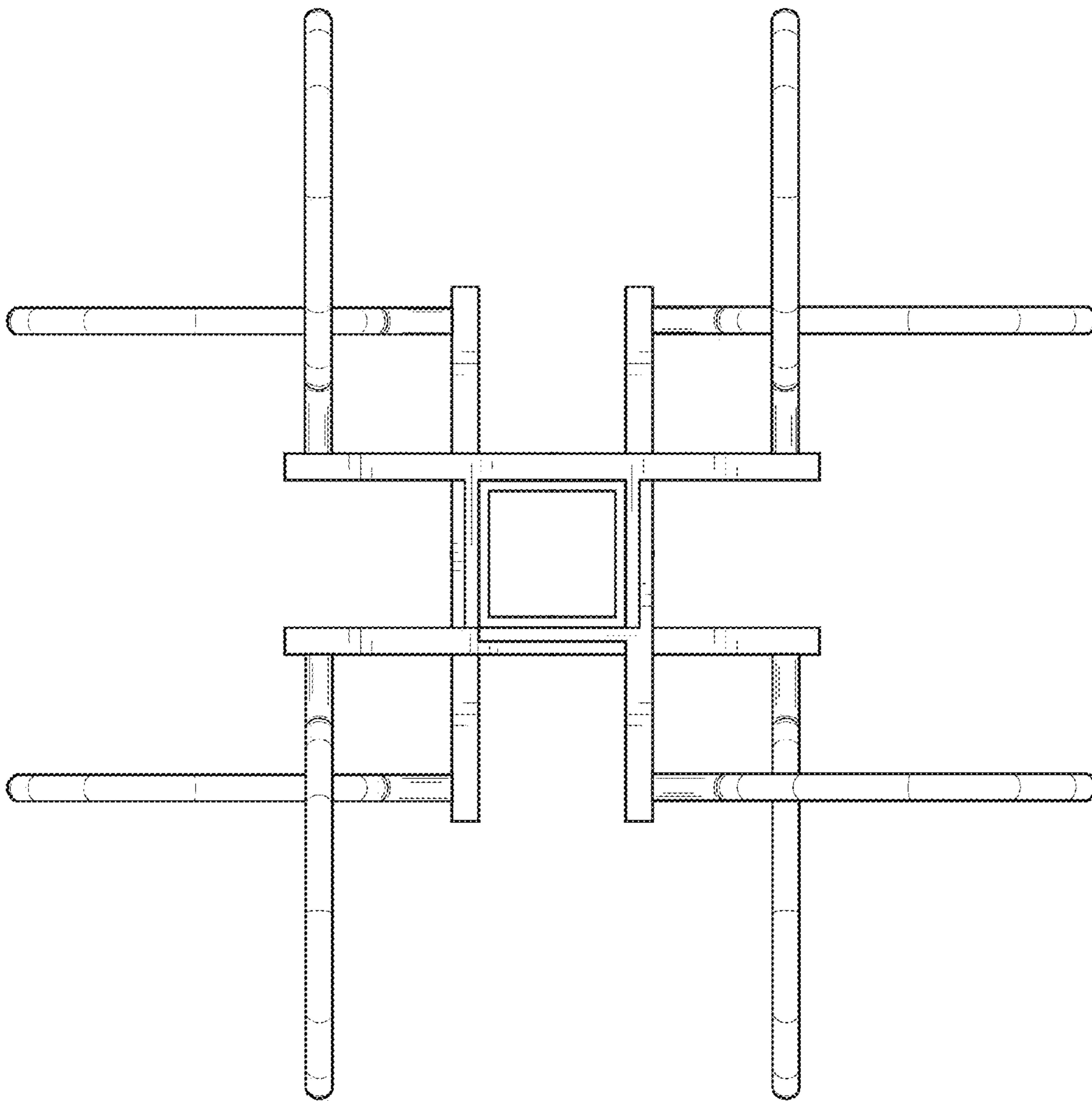


FIG. 31

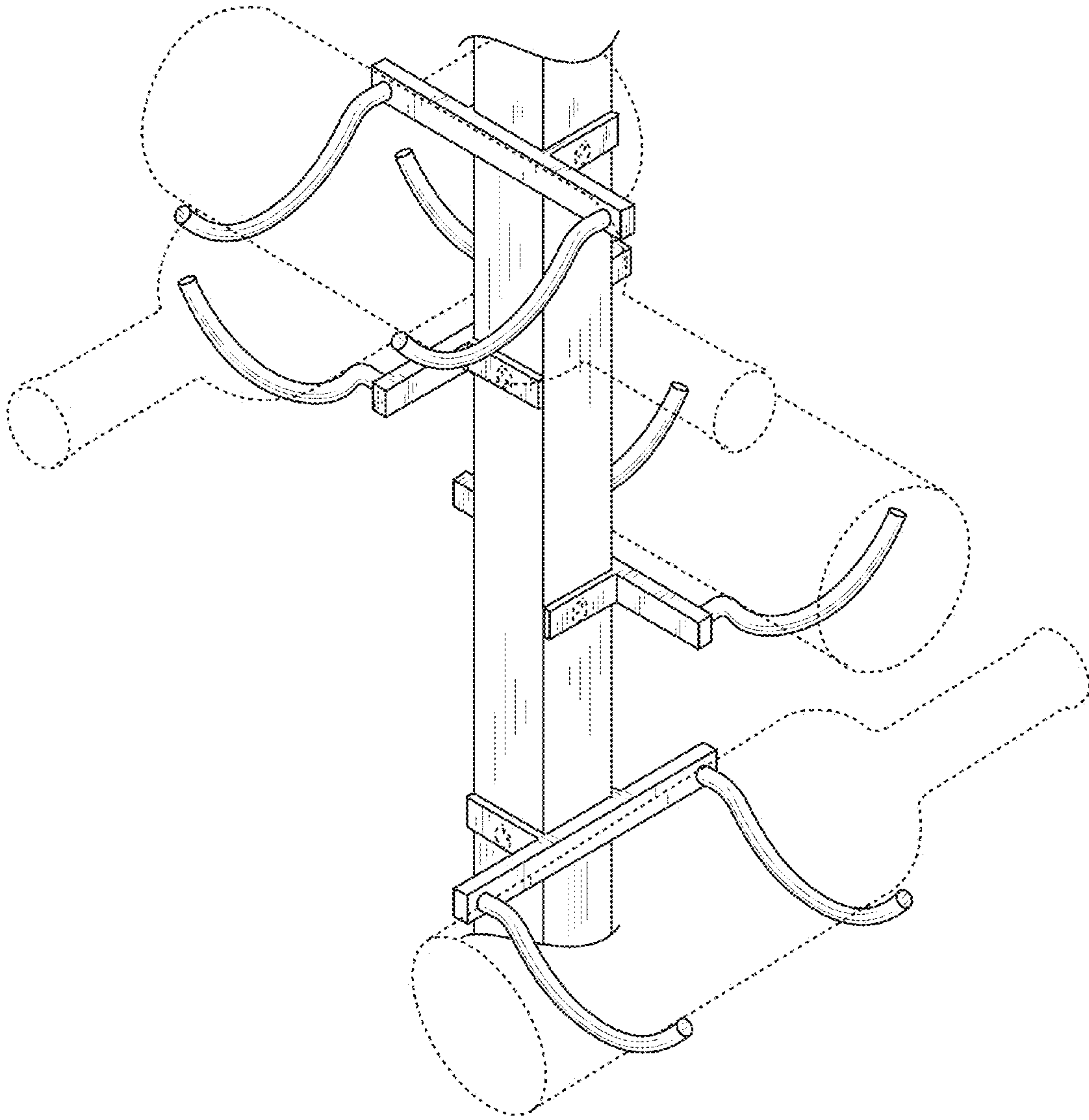


FIG. 32

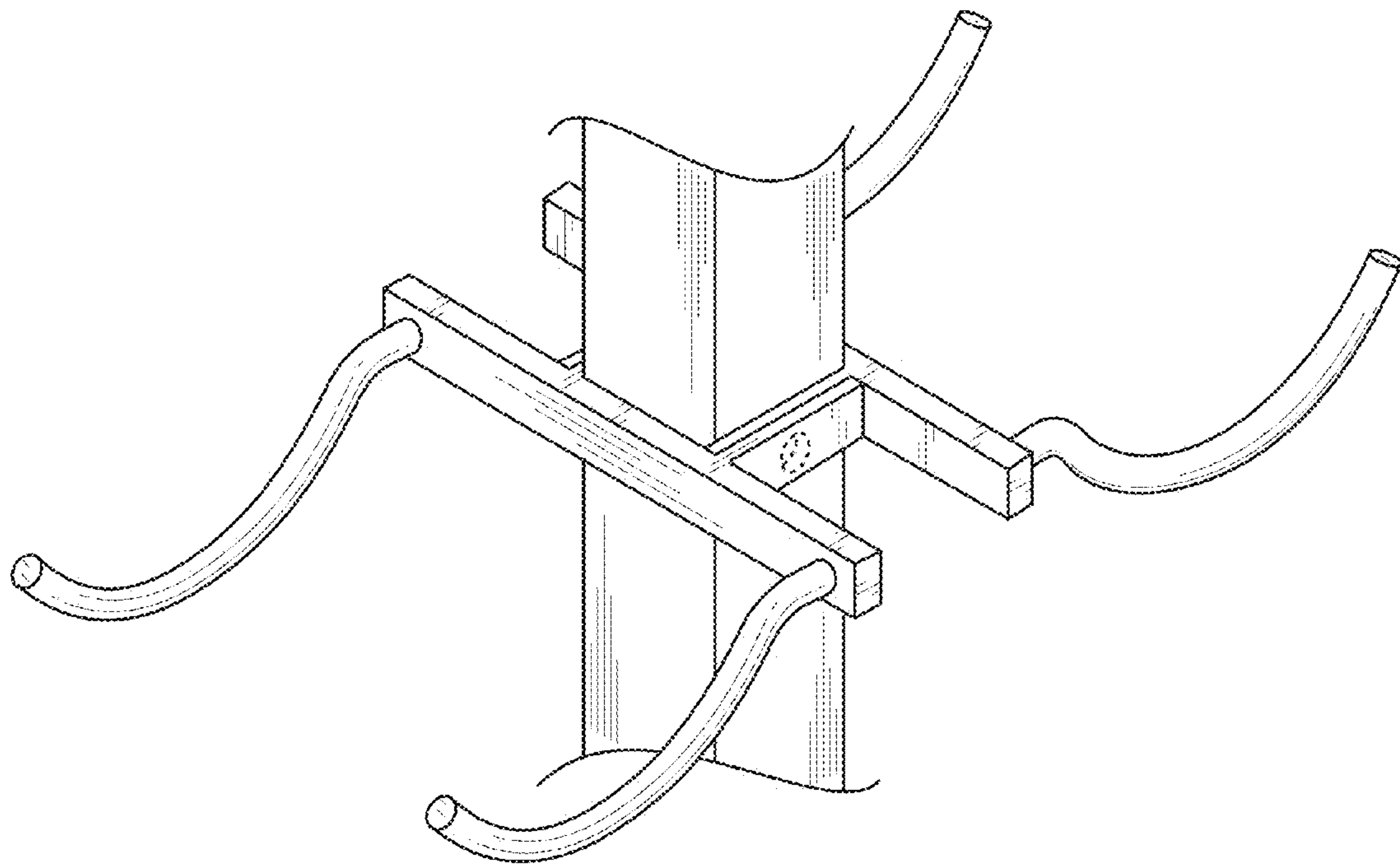


FIG. 33

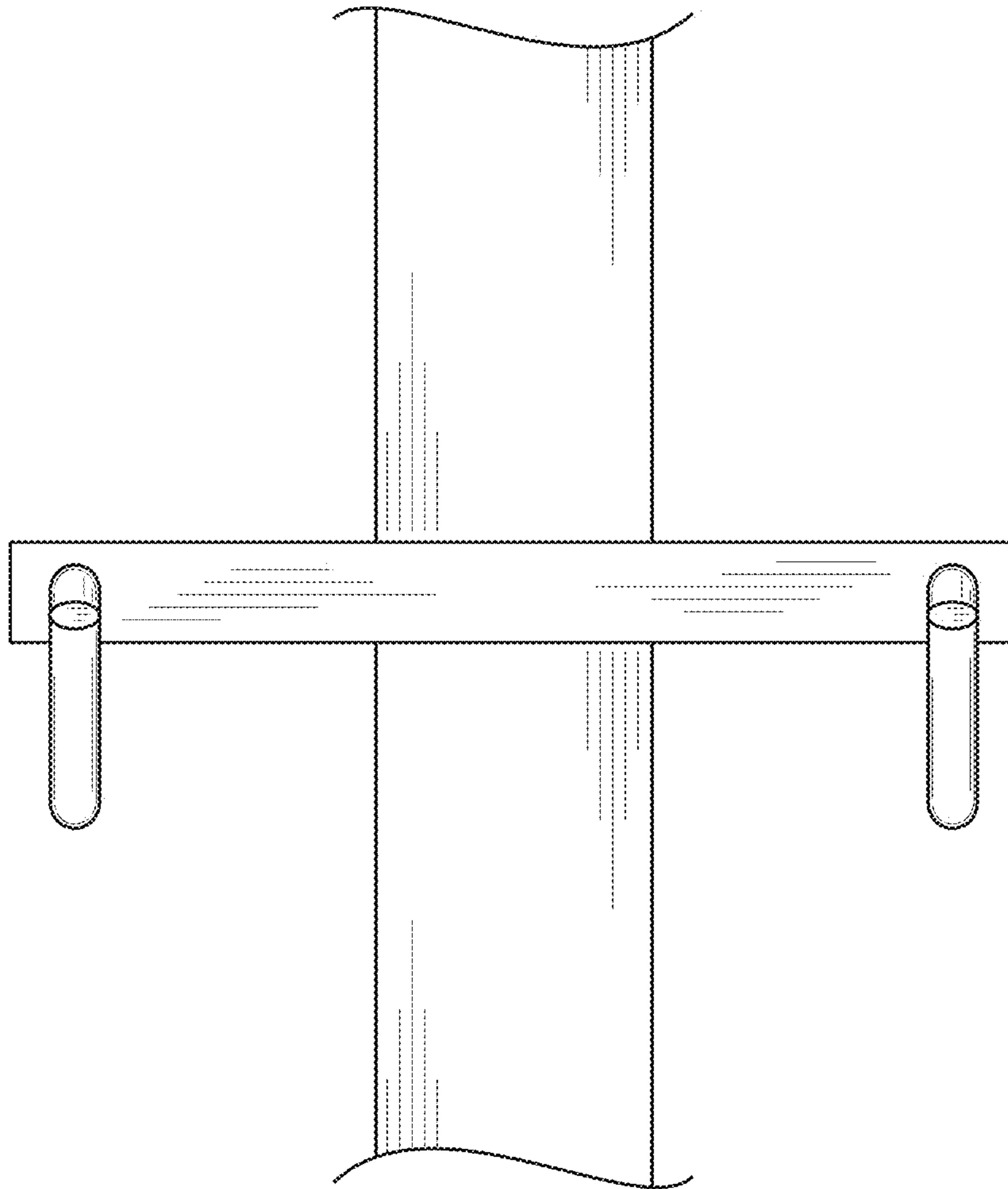


FIG. 34

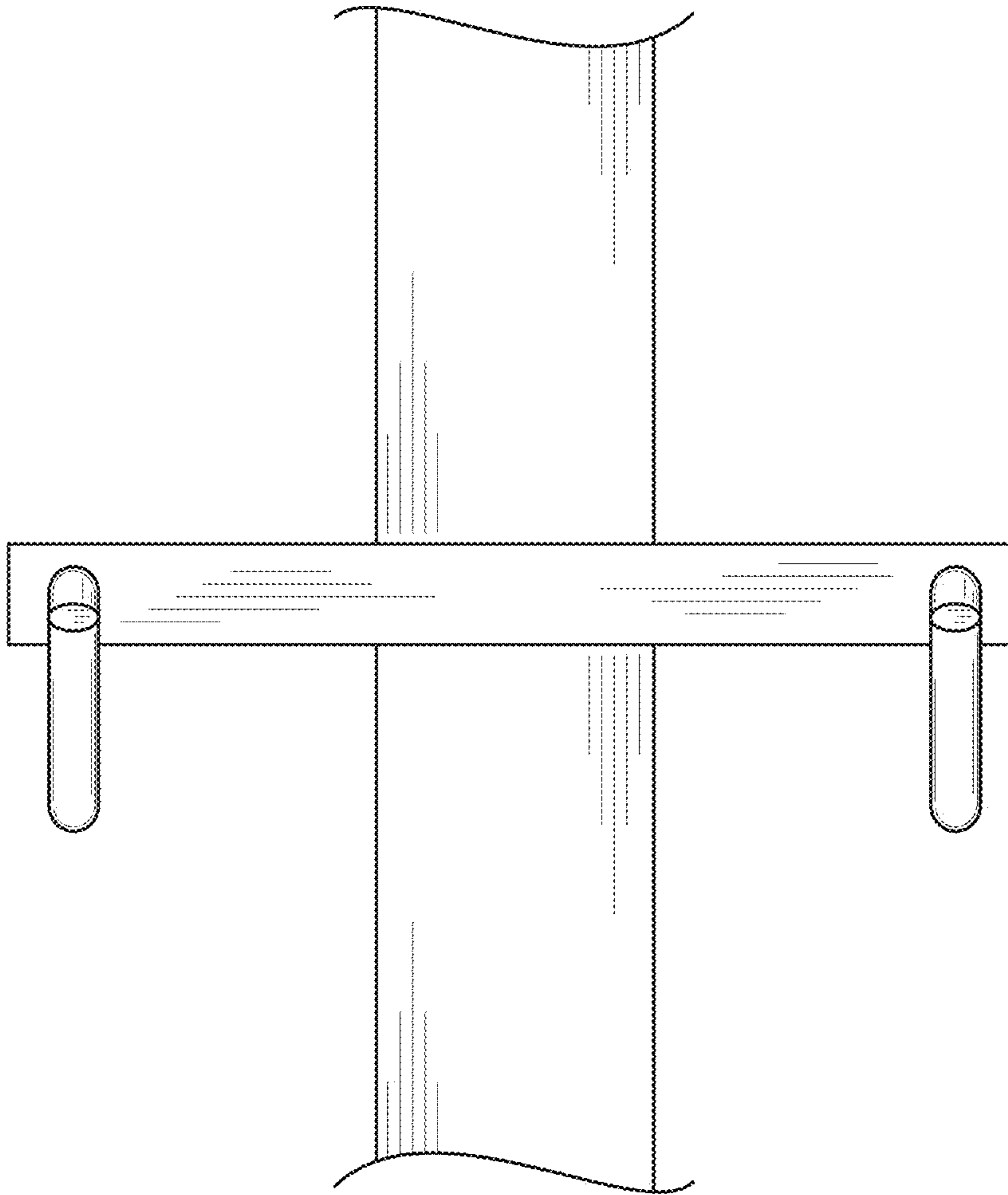


FIG. 35

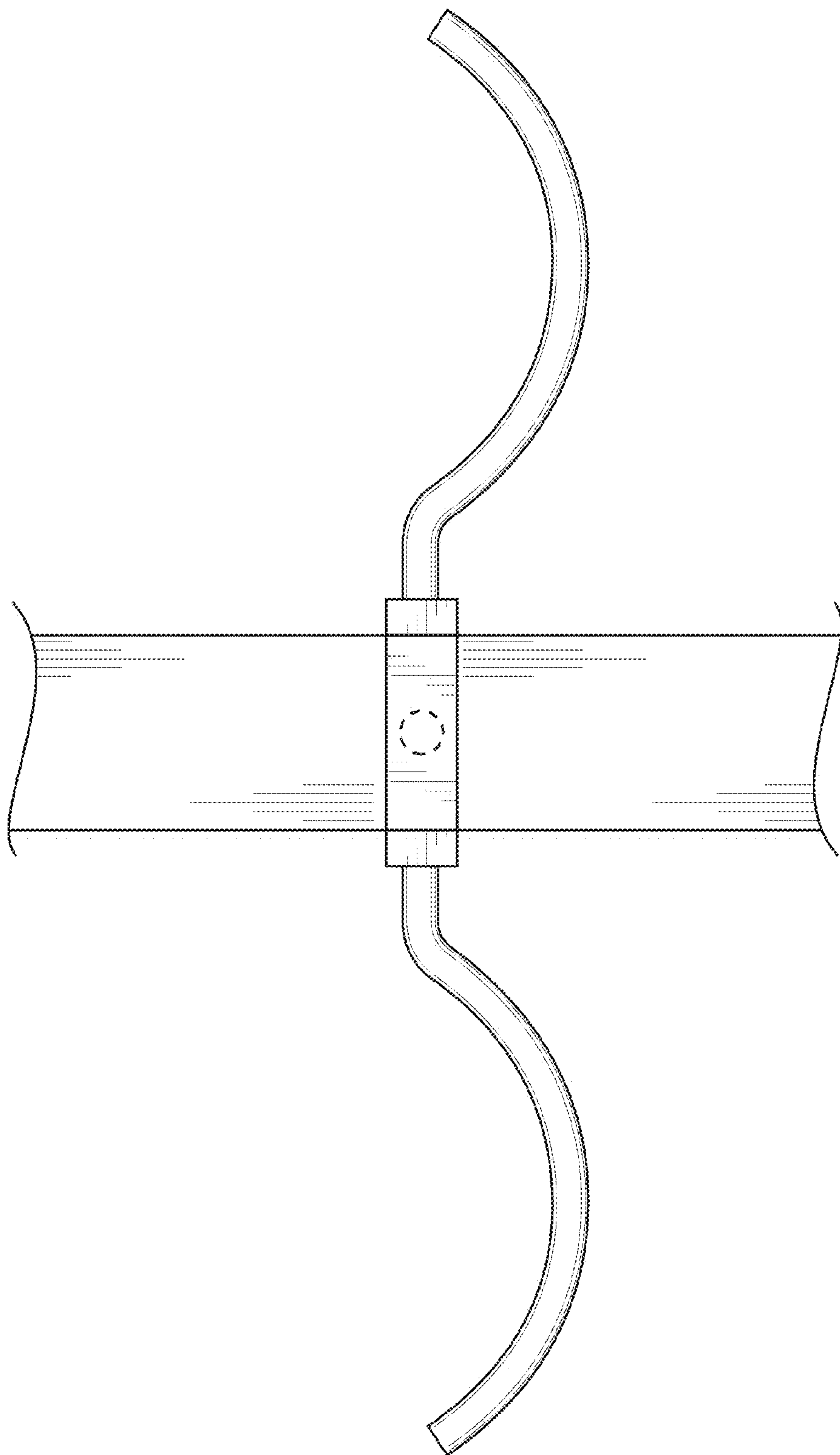


FIG. 36

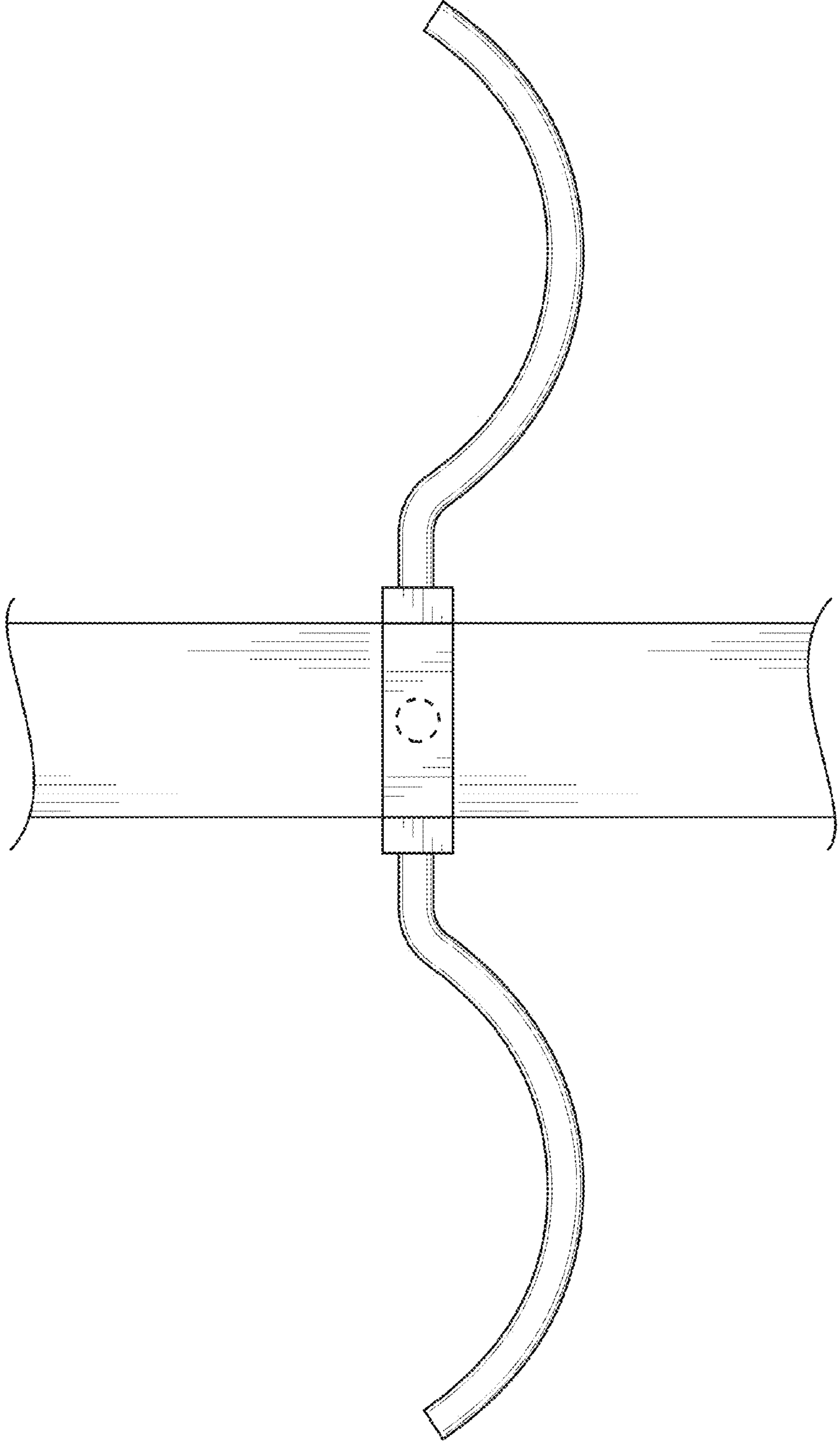


FIG. 37

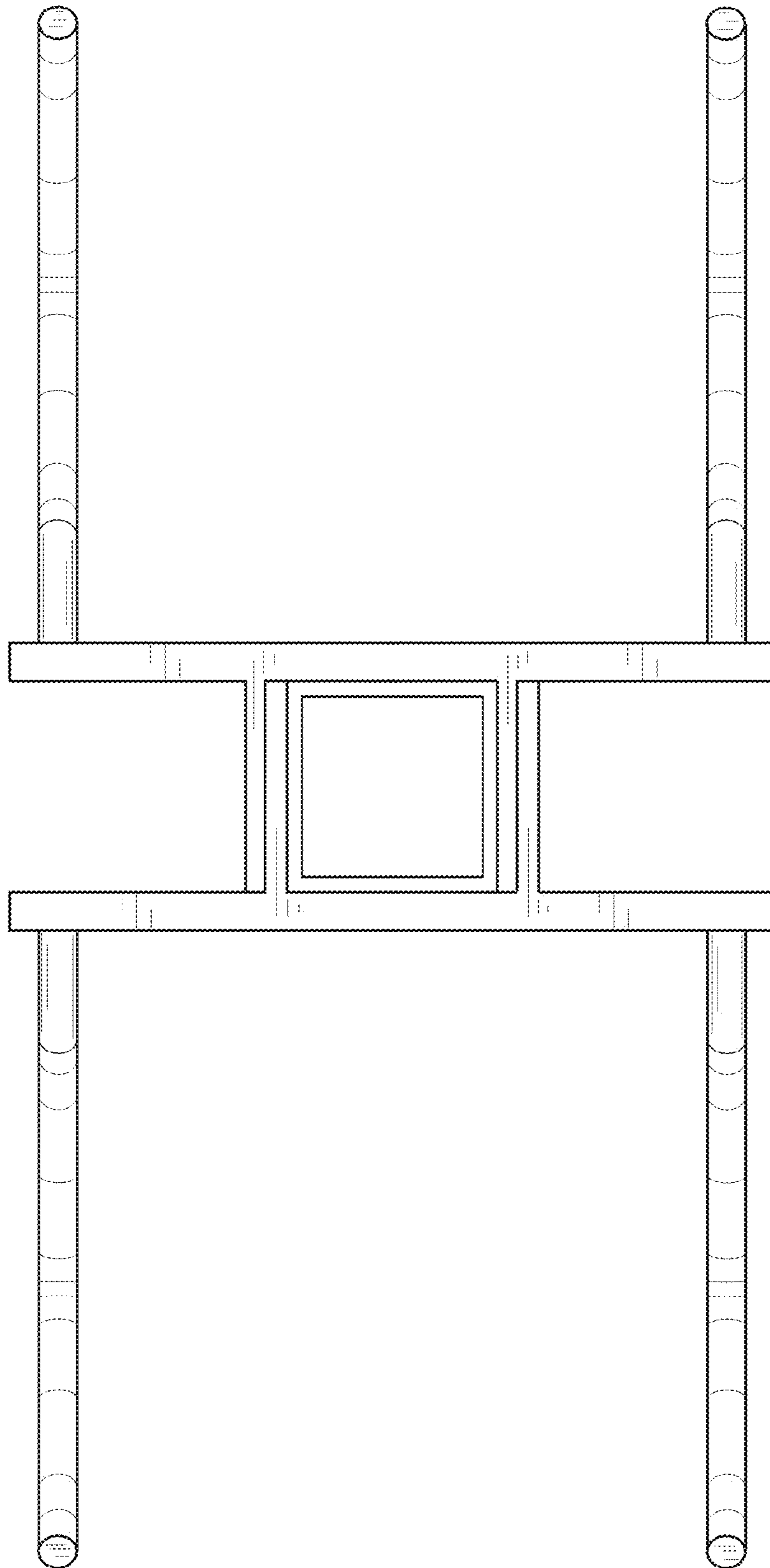


FIG. 38

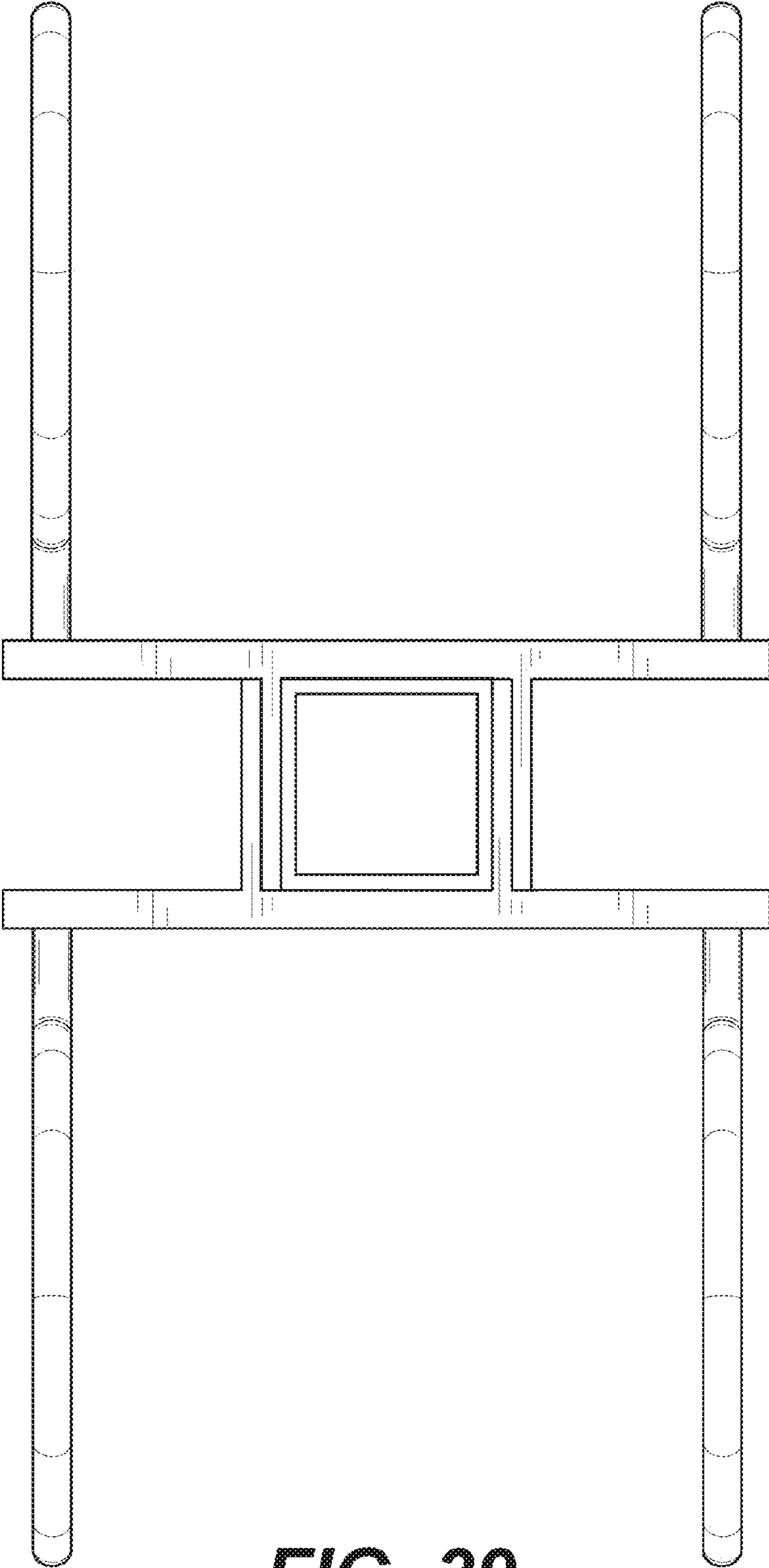


FIG. 39

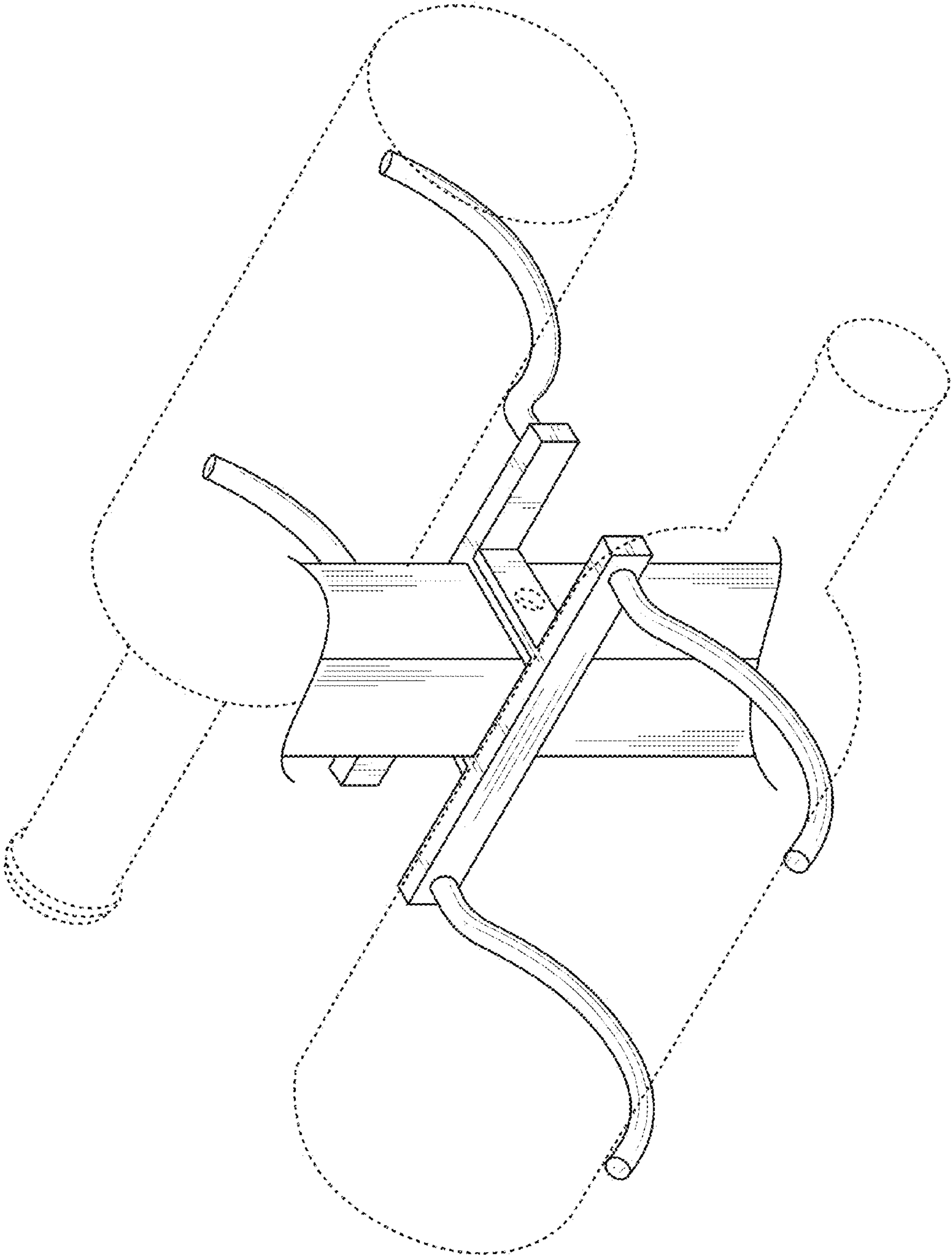


FIG. 40