



US00D714106S

(12) **United States Design Patent**
Harrison et al.

(10) **Patent No.:** **US D714,106 S**
(45) **Date of Patent:** **** Sep. 30, 2014**

(54) **ROTATING ROASTING STICK WITH TART MOLD END**

(71) Applicants: **Spencer Harrison**, South Jordan, UT (US); **Tanner Harrison**, South Jordan, UT (US)

(72) Inventors: **Spencer Harrison**, South Jordan, UT (US); **Tanner Harrison**, South Jordan, UT (US)

(**) Term: **14 Years**

(21) Appl. No.: **29/458,006**

(22) Filed: **Jun. 14, 2013**

(51) **LOC (10) Cl.** **07-02**

(52) **U.S. Cl.**
USPC **D7/669; D7/683**

(58) **Field of Classification Search**
CPC **A47J 43/18**
USPC **D7/680-696, 395, 393, 368, 669, 409, D7/323, 672; 99/415-419, 426, 449, 441, 99/421 R, 425, 421 V, 421 A; 30/323; 7/110, 113, 109**
See application file for complete search history.

(56) **References Cited**

U.S. PATENT DOCUMENTS

2,649,042	A *	8/1953	Wickman	99/441
2,876,694	A *	3/1959	Thomas	99/421 A
3,931,758	A *	1/1976	Blake	99/419
4,176,592	A *	12/1979	Doyle, Jr.	99/419
5,117,558	A	6/1992	Hull	
5,238,445	A *	8/1993	Green	452/198
D377,888	S *	2/1997	Griffin	D7/683
D395,988	S *	7/1998	Badour	D7/683
7,201,358	B2 *	4/2007	Nichols et al.	249/115
D542,593	S *	5/2007	Stewart et al.	D7/368
2008/0028950	A1 *	2/2008	Vasquez	99/426

* cited by examiner

Primary Examiner — Terry Wallace

(74) *Attorney, Agent, or Firm* — Lyman Moulton, Esq.; Moulton Patents, PLLC

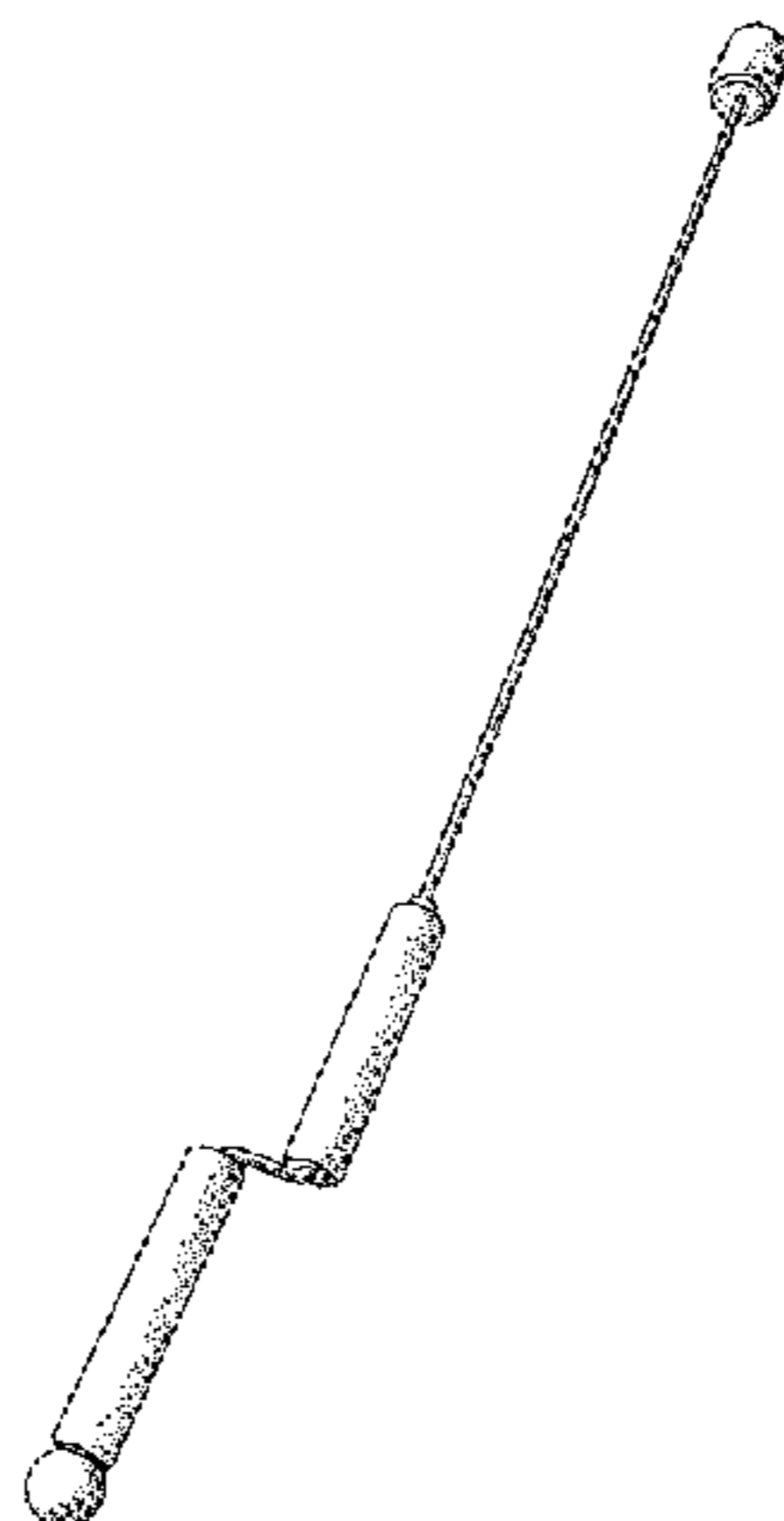
(57) **CLAIM**

The ornamental design for a rotating roasting stick with tart mold end, as shown and described.

DESCRIPTION

FIG. 1 is a top left perspective view of a rotating roasting stick with tart mold end showing my new design, a bottom left perspective view being identical;
 FIG. 2 is a top elevational split view thereof, a bottom elevational split view being identical;
 FIG. 3 is a top right perspective view thereof, a bottom right perspective view being identical;
 FIG. 4 is a top left perspective view of a first modified embodiment of the design shown in FIG. 1, a bottom left perspective view being identical;
 FIG. 5 is a top elevational split view of the first modified embodiment of the design shown in FIG. 2, a bottom elevational split view being identical;
 FIG. 6 is a top right perspective view of the first modified embodiment of the design shown in FIG. 3, a bottom right perspective view being identical;
 FIG. 7 is a top left perspective view of a second modified embodiment of the design shown in FIG. 1, a bottom left perspective view being identical;
 FIG. 8 is a top elevational split view of the second modified embodiment of the design shown in FIG. 2, a bottom elevational split view being identical;
 FIG. 9 is a top right perspective view of the second modified embodiment of the design shown in FIG. 3, a bottom right perspective view being identical;
 FIG. 10 is a top left perspective view of a third modified embodiment of the design shown in FIG. 1, a bottom left perspective view being identical;
 FIG. 11 is a top elevational split view of the third modified embodiment of the design shown in FIG. 2, a bottom elevational split view being identical; and,
 FIG. 12 is a top right perspective view of the third modified embodiment of the design shown in FIG. 3, a bottom right perspective view being identical.

1 Claim, 12 Drawing Sheets



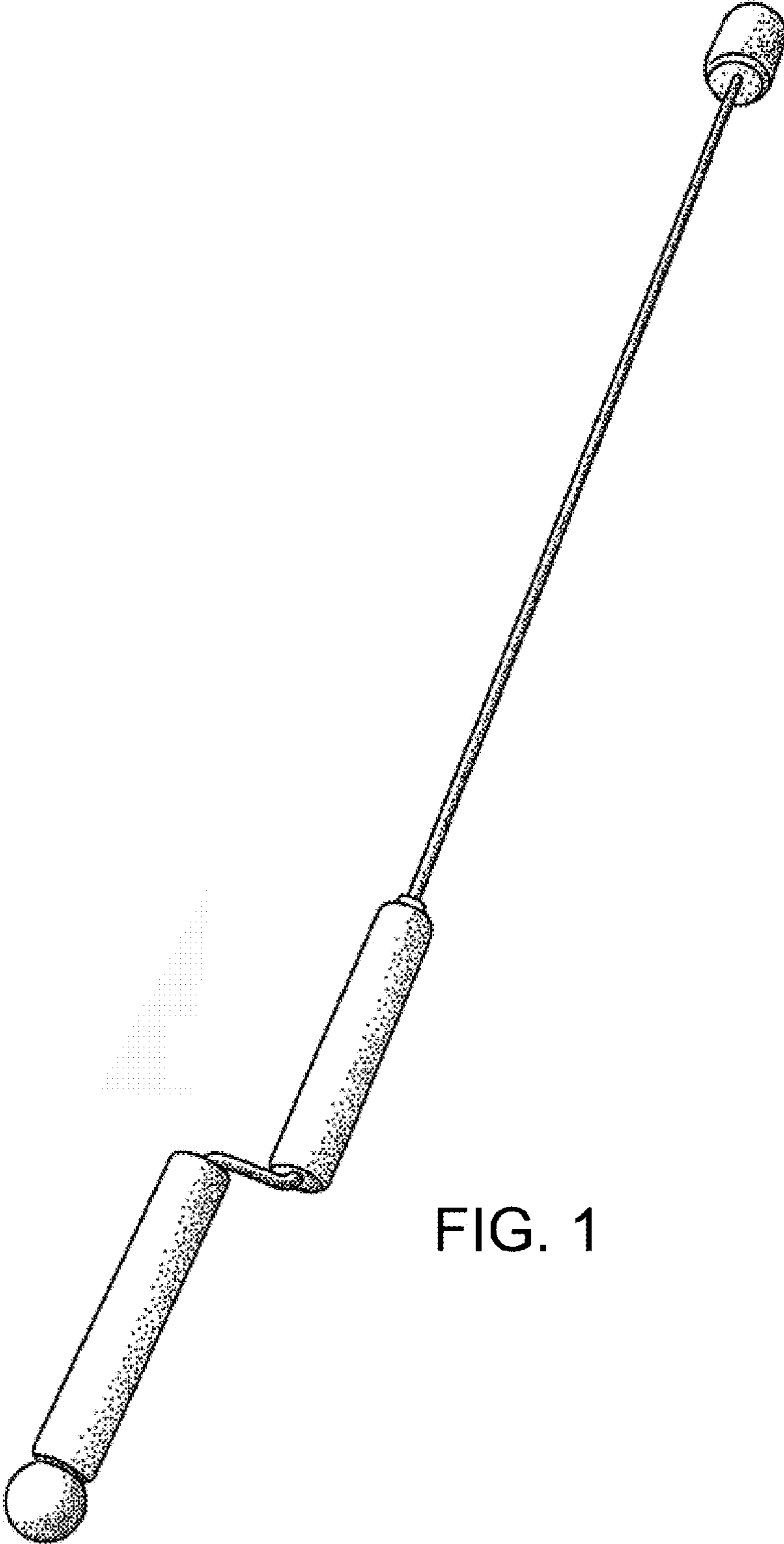


FIG. 1

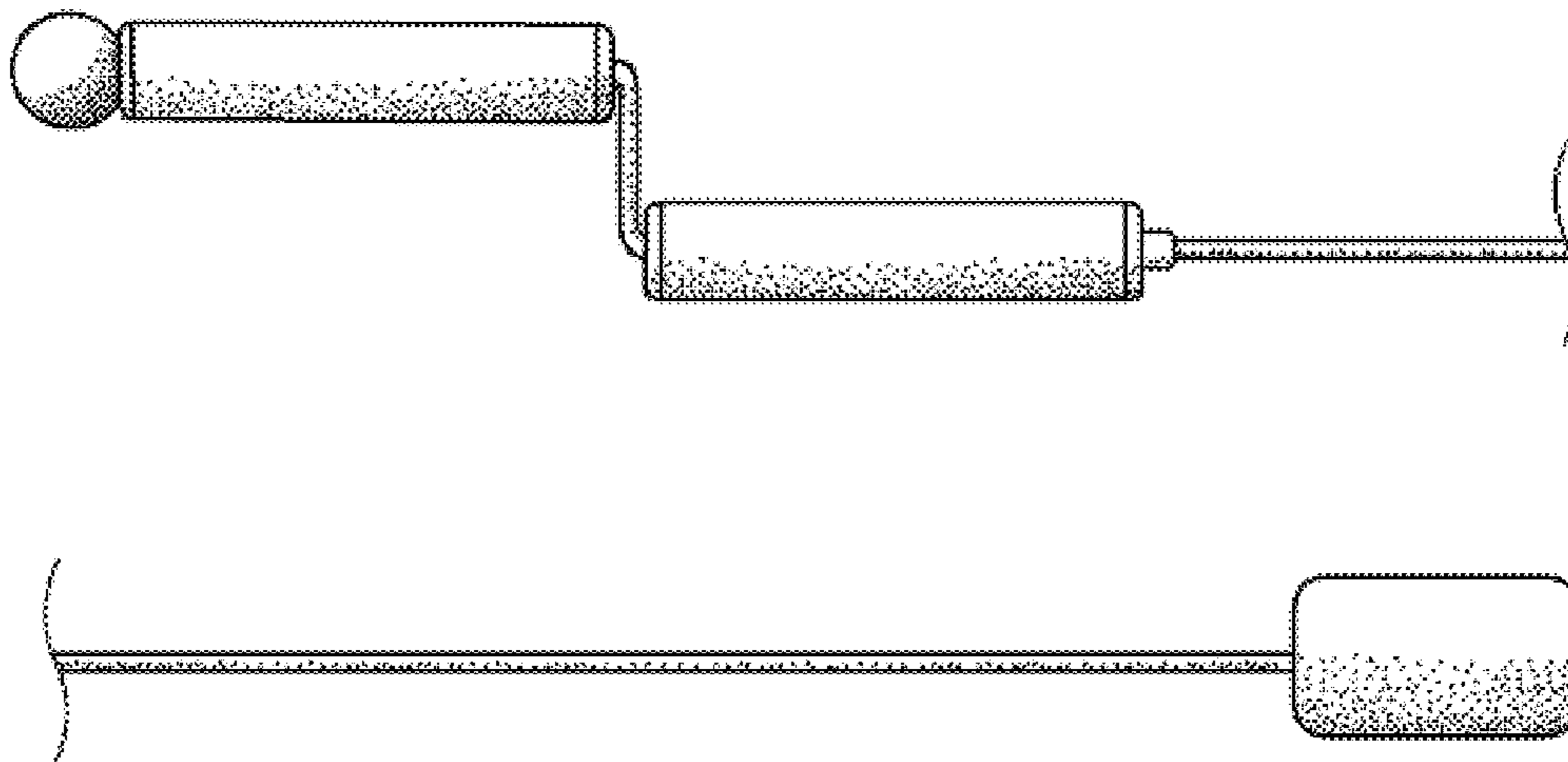


FIG. 2

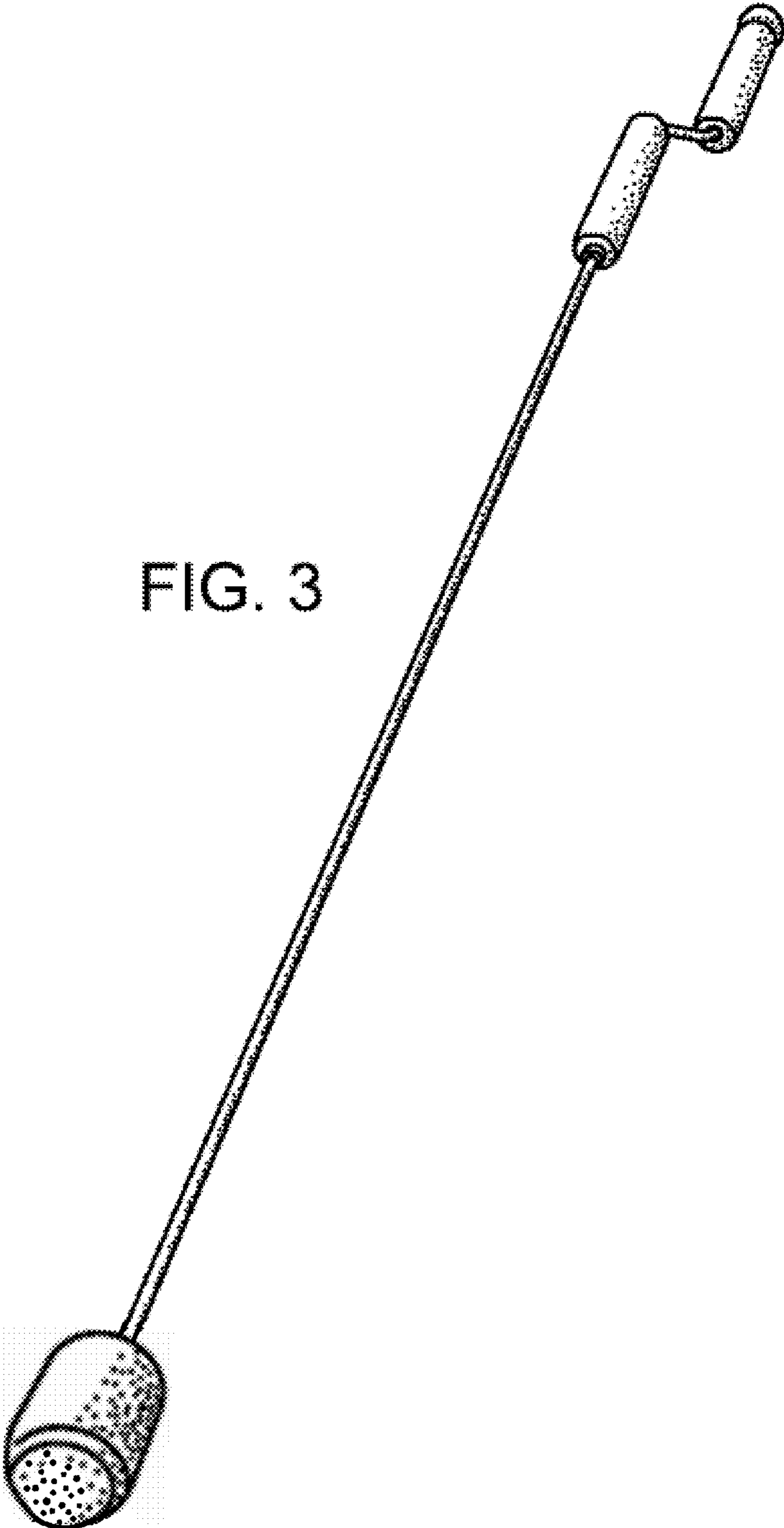


FIG. 3

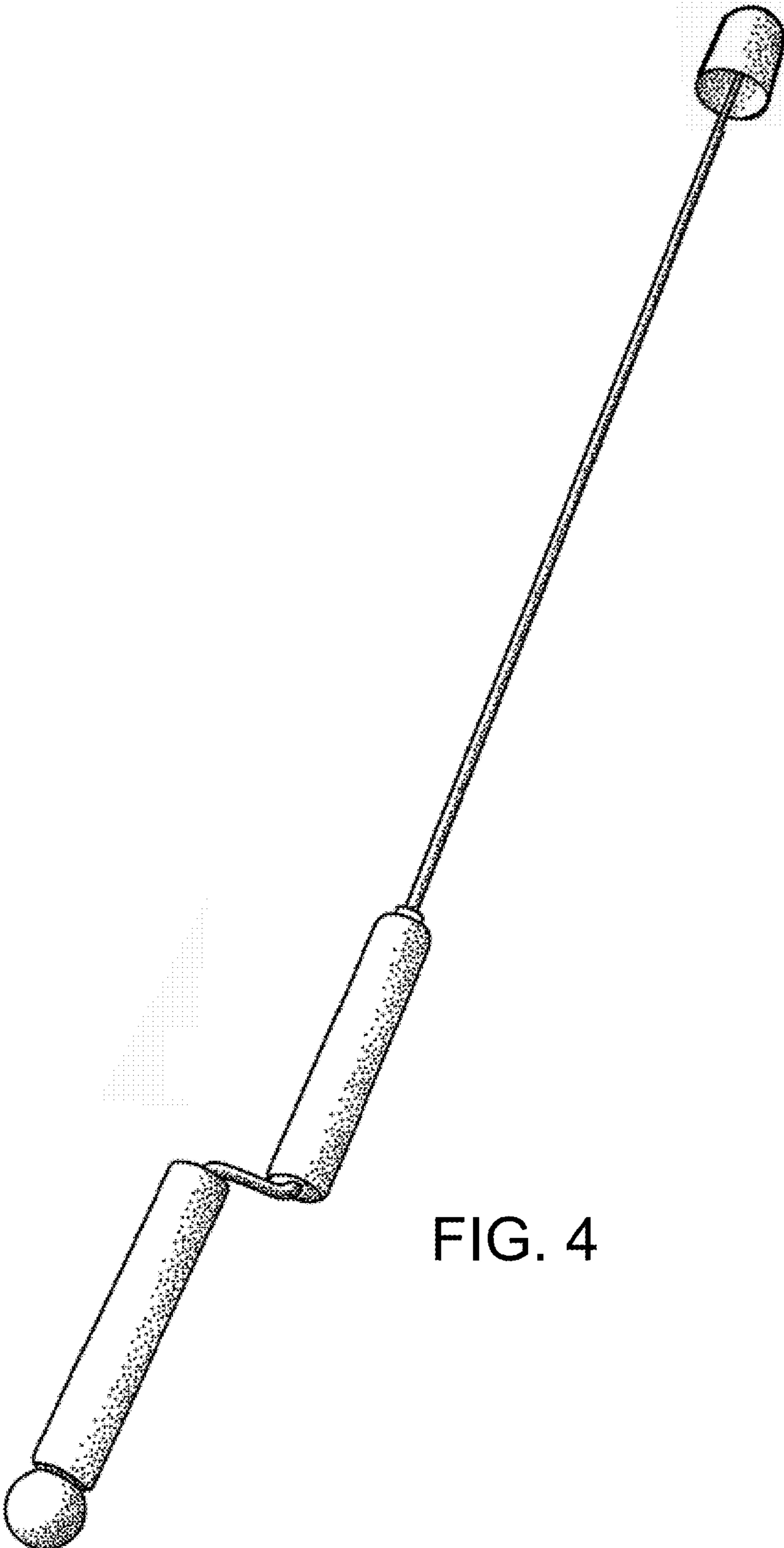


FIG. 4

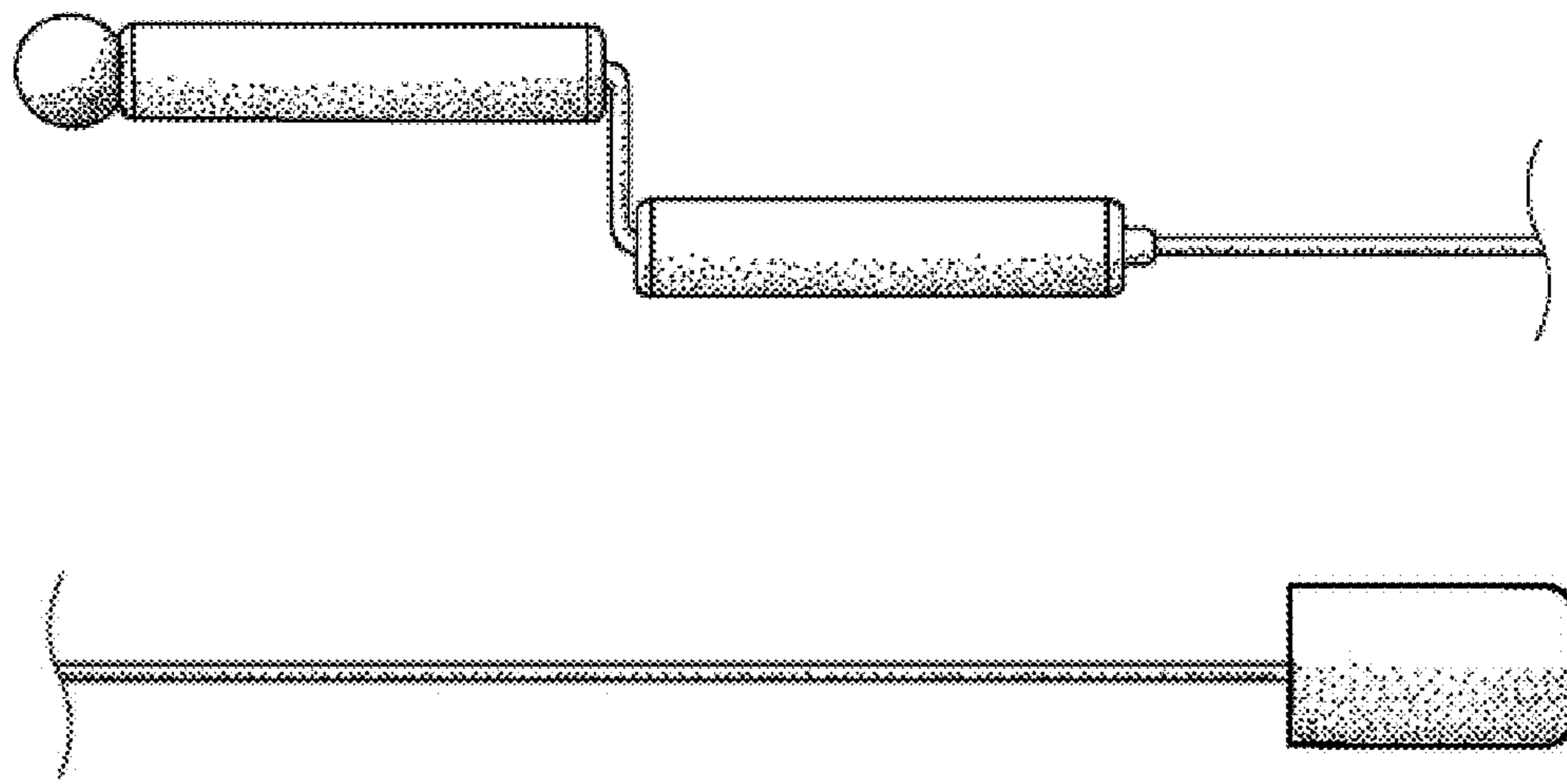


FIG. 5

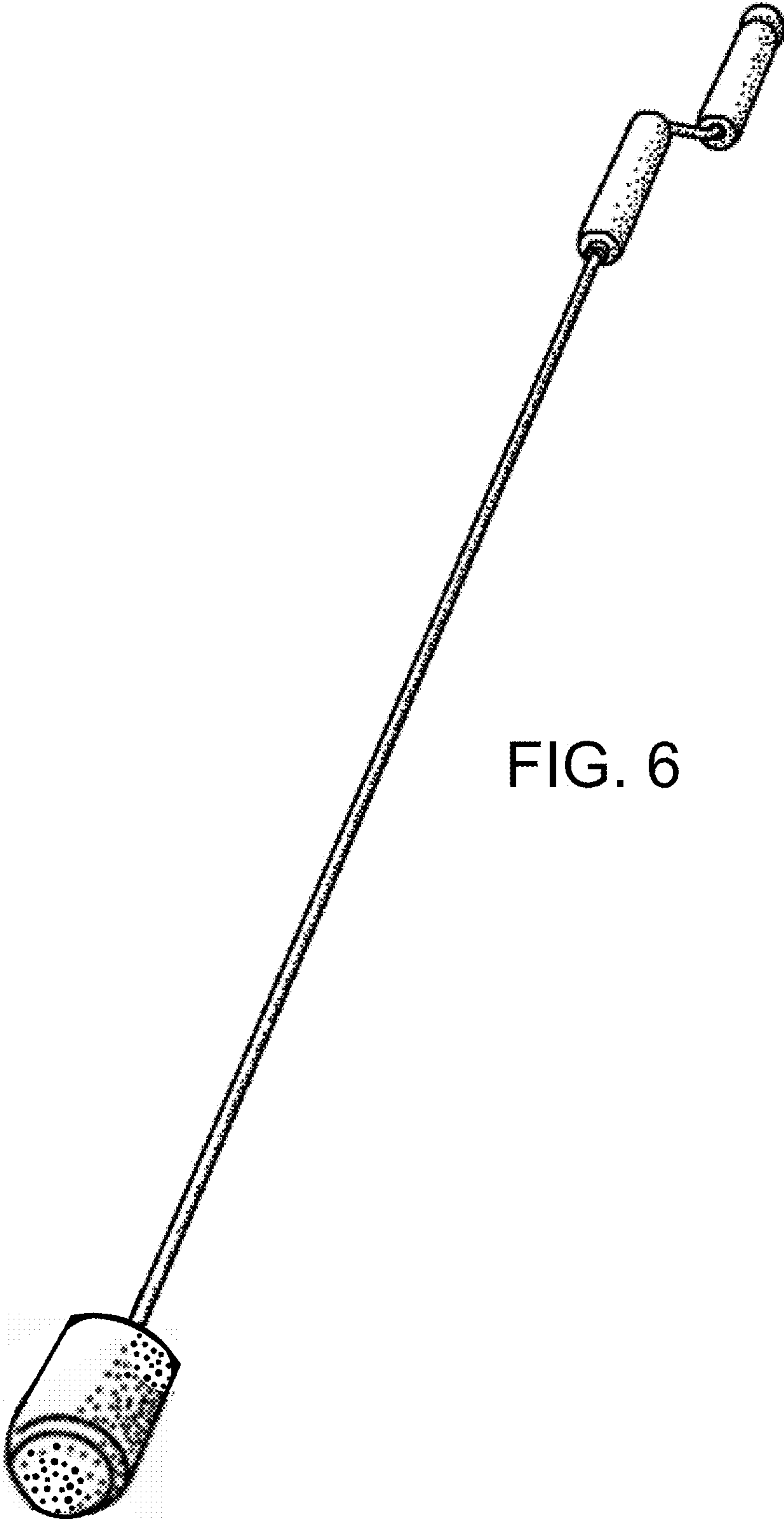


FIG. 6

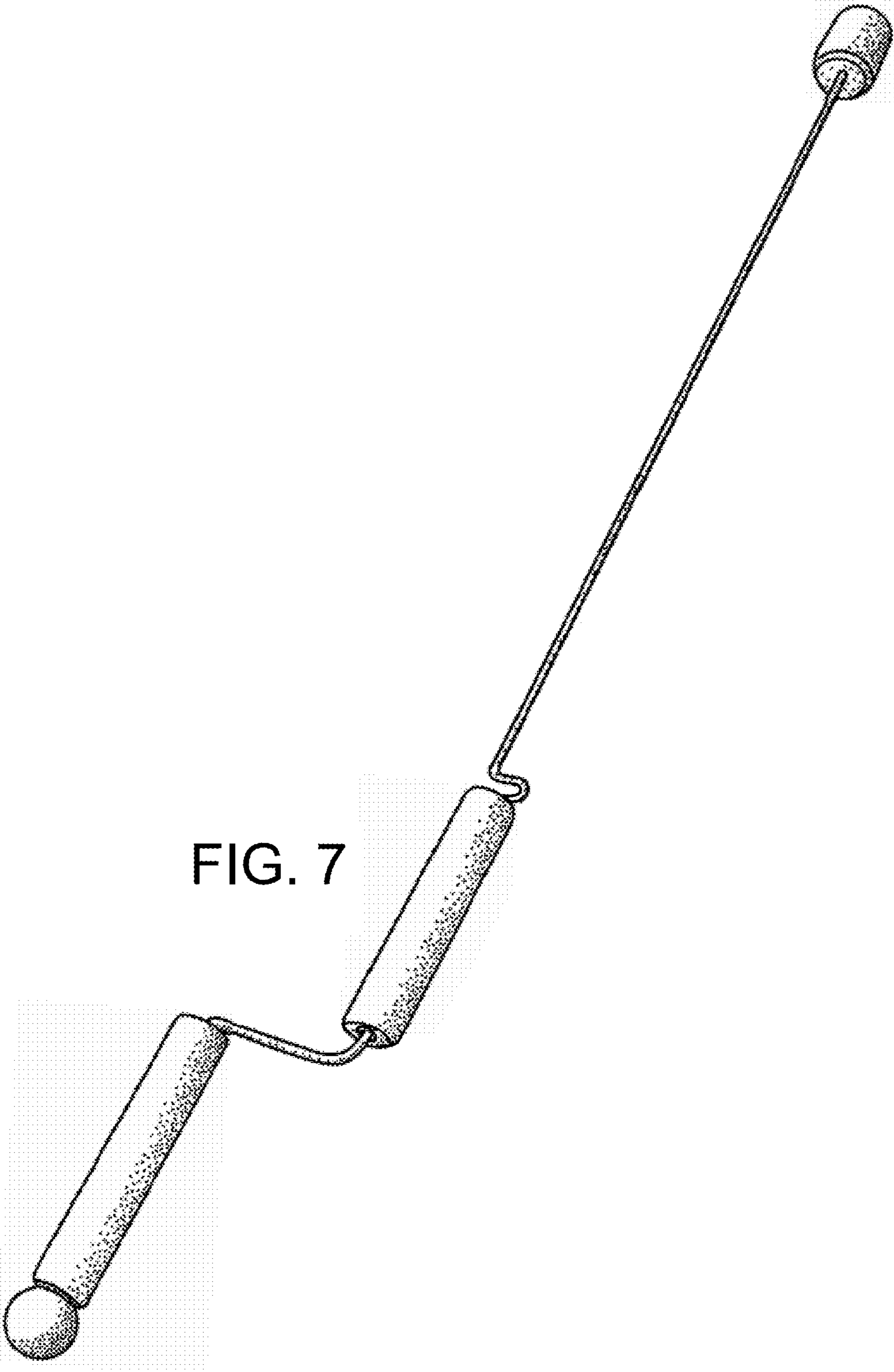


FIG. 7

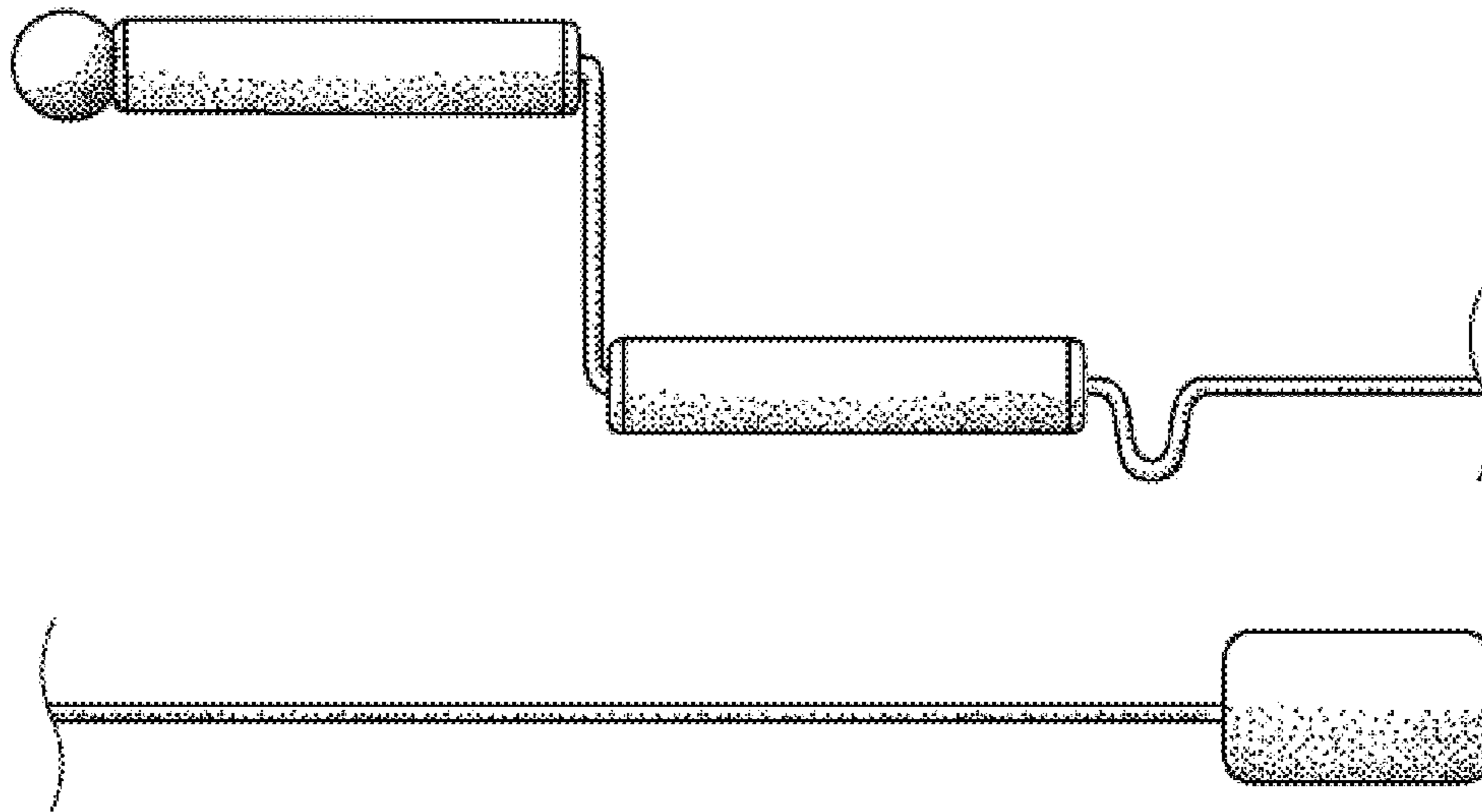


FIG. 8

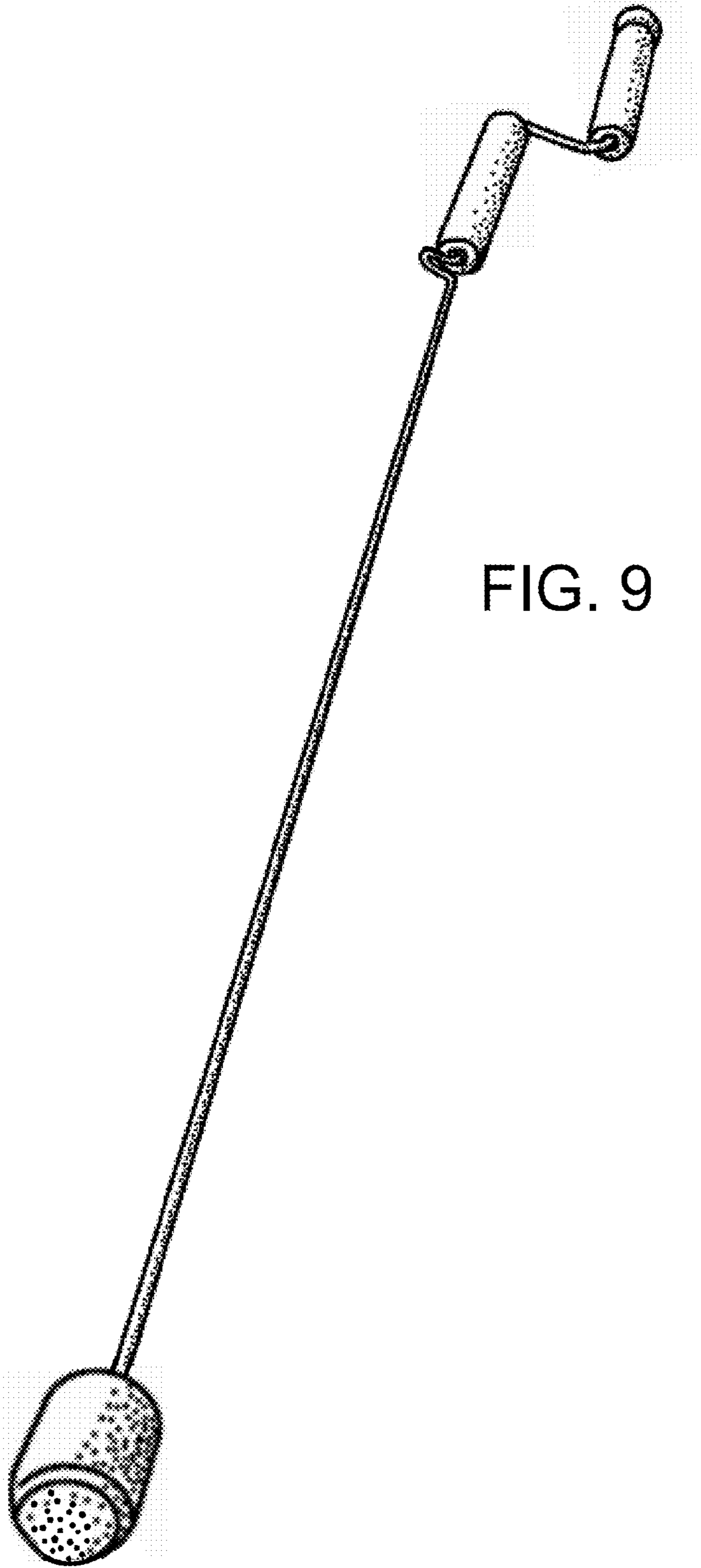


FIG. 9

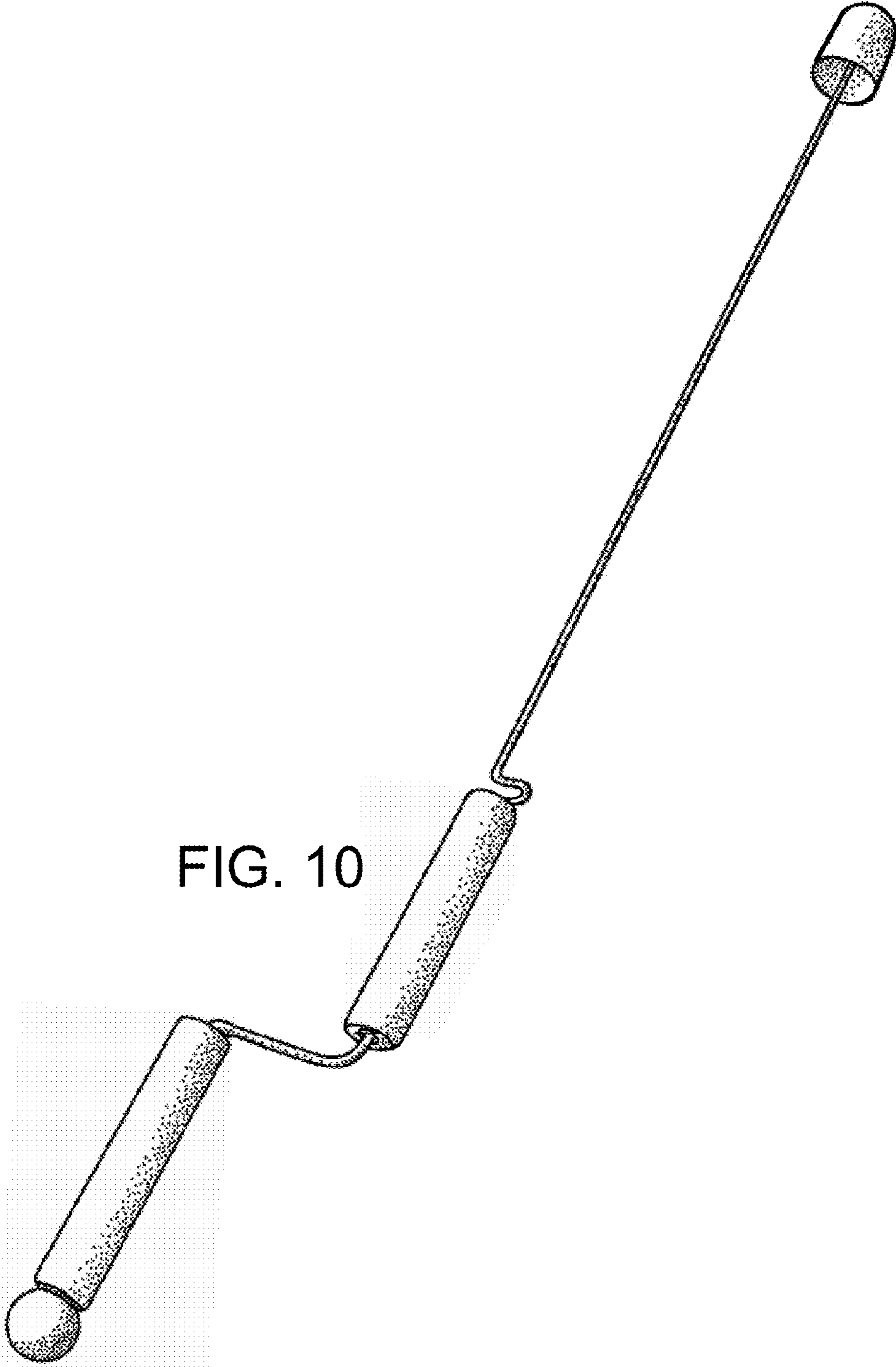


FIG. 10

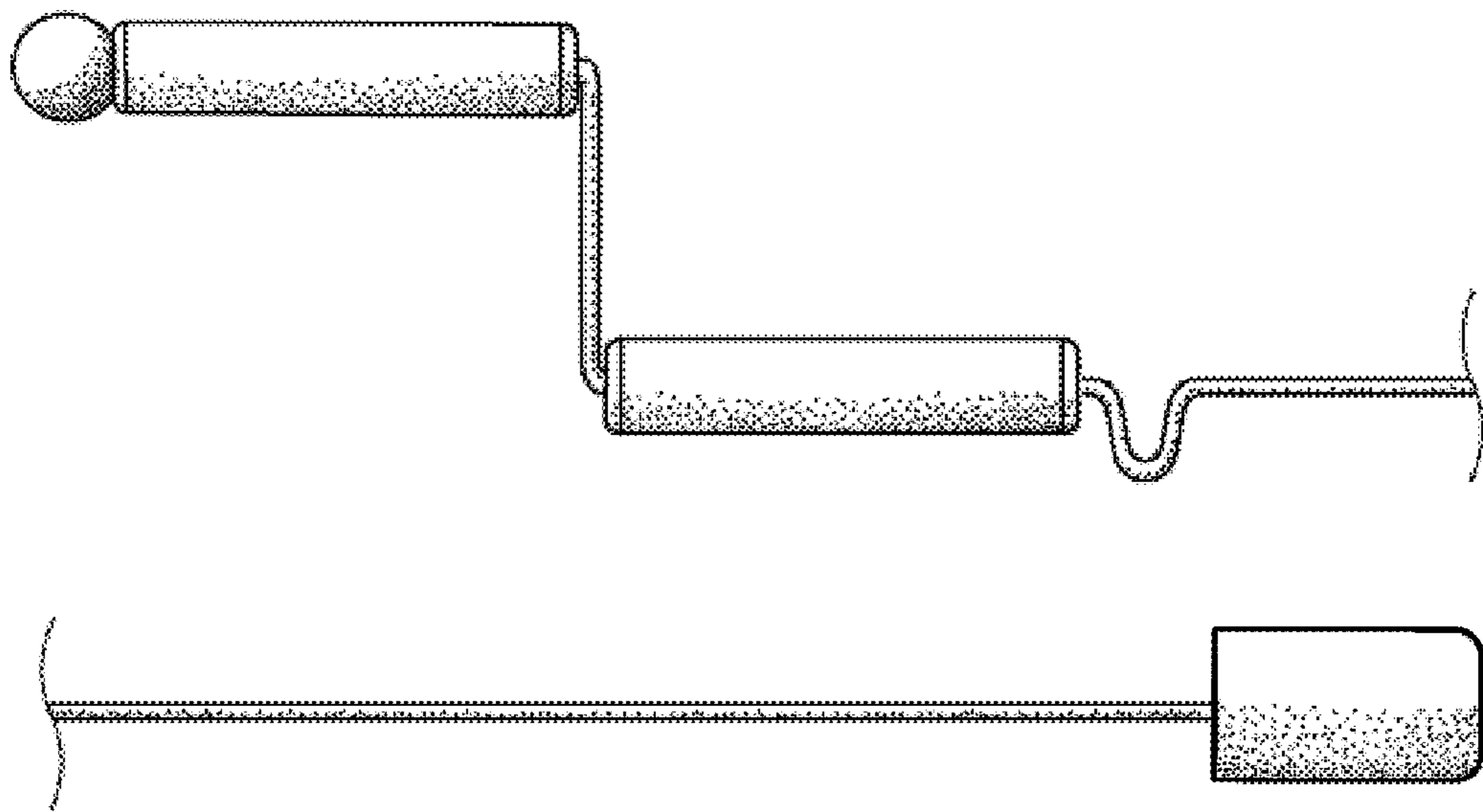


FIG. 11

