



US00D714100S

(12) **United States Design Patent**
Hiner

(10) **Patent No.:** **US D714,100 S**

(45) **Date of Patent:** **** Sep. 30, 2014**

(54) **BEVERAGE CONTAINER INSULATOR**

(71) Applicant: **Ryan Hiner**, Pasadena, MD (US)

(72) Inventor: **Ryan Hiner**, Pasadena, MD (US)

(**) Term: **14 Years**

(21) Appl. No.: **29/476,550**

(22) Filed: **Dec. 13, 2013**

2004/0182870 A1* 9/2004 Rodgers 220/739
2005/0279751 A1* 12/2005 Dempsey 220/739
2007/0017924 A1* 1/2007 Hundley 220/737

* cited by examiner

Primary Examiner — Terry Wallace

(74) *Attorney, Agent, or Firm* — Matthew A. Pequignot;
Pequignot + Myers LLC

(57) **CLAIM**

The ornamental design for a beverage container insulator, as shown and described.

Related U.S. Application Data

(63) Continuation-in-part of application No. 14/075,877, filed on Nov. 8, 2013, which is a continuation-in-part of application No. 13/678,392, filed on Nov. 15, 2012.

(51) **LOC (10) Cl.** **07-01**

(52) **U.S. Cl.**
USPC **D7/607**

(58) **Field of Classification Search**
CPC B65D 81/3876
USPC D7/603–608, 619.1–625;
62/457.1–457.9, 529, 530; 220/592.2,
220/592.17, 592.24, 737–739, 902, 903;
229/89; 215/12.1, 12.2, 13.1, 386;
383/71–74, 10, 95, 113, 110, 109
See application file for complete search history.

(56) **References Cited**

U.S. PATENT DOCUMENTS

4,401,245 A * 8/1983 Zills 224/148.3
5,680,958 A * 10/1997 Mann et al. 220/739
5,915,580 A * 6/1999 Melk 215/386
6,073,796 A * 6/2000 Mogil 220/592.17
D595,994 S * 7/2009 Albritton D7/607
D614,001 S * 4/2010 Welch D7/605
D666,060 S * 8/2012 Welch D7/606
2002/0104845 A1* 8/2002 Beuke 220/739
2002/0108960 A1* 8/2002 Watson 220/739

DESCRIPTION

FIG. 1 is perspective view of the beverage container insulator showing the new design thereof.

FIG. 2 is a first-side elevational view of the beverage container insulator shown in FIG. 1.

FIG. 3 is a second-side elevational view of the beverage container insulator shown in FIG. 1.

FIG. 4 is a third-side elevational view of the beverage container insulator shown in FIG. 1.

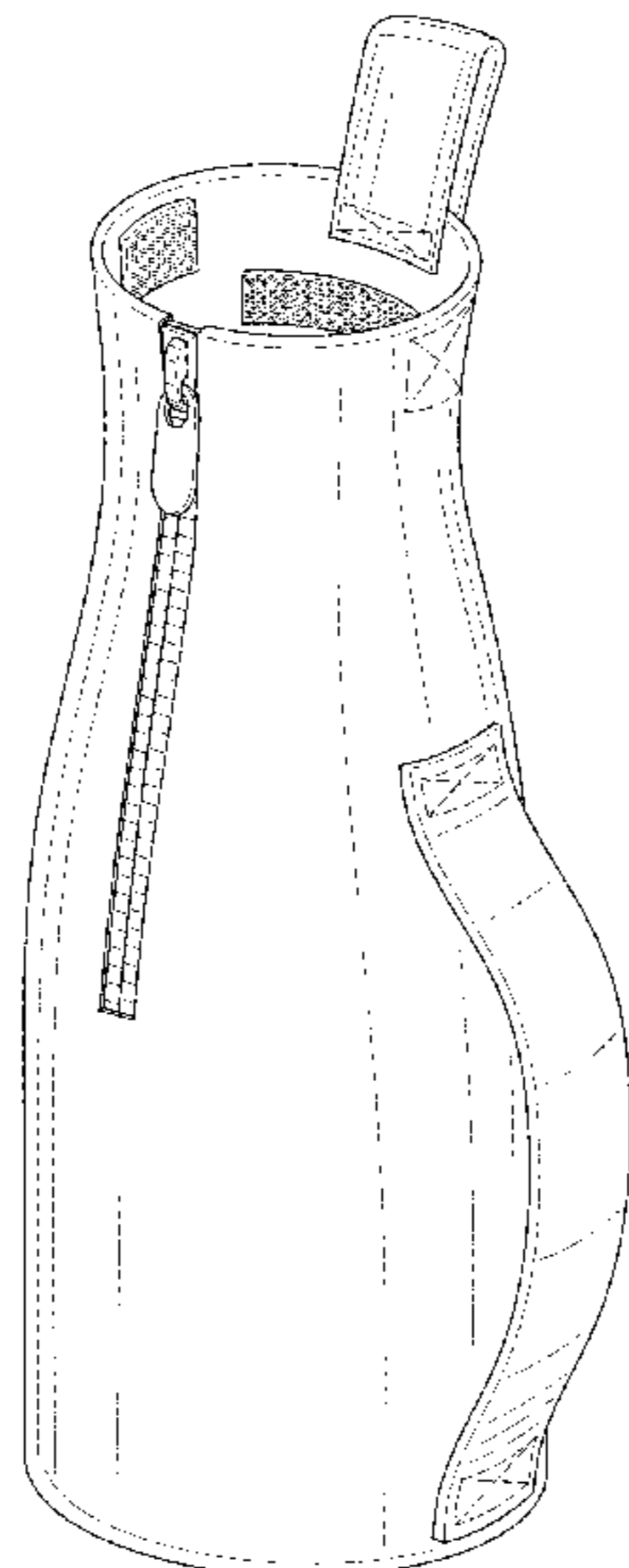
FIG. 5 is a fourth-side elevational view of the beverage container insulator shown in FIG. 1.

FIG. 6 is a top plan view of the beverage container insulator shown in FIG. 1; and,

FIG. 7 is a bottom plan view of the beverage container insulator shown in FIG. 1.

Structure illustrated in broken lines is not part of the claimed design. The size and placement of the adhesive square visible on the top left interior portion of the design as seen in the perspective view (FIG. 1) is a mirror image of the size and placement of an identical adhesive square on the top right interior portion of the design, which is not visible in the drawing. Portion(s) of the beverage container insulator that would normally be visible, but are not shown in the drawing or described in the specification, are not part of the claimed design.

1 Claim, 4 Drawing Sheets



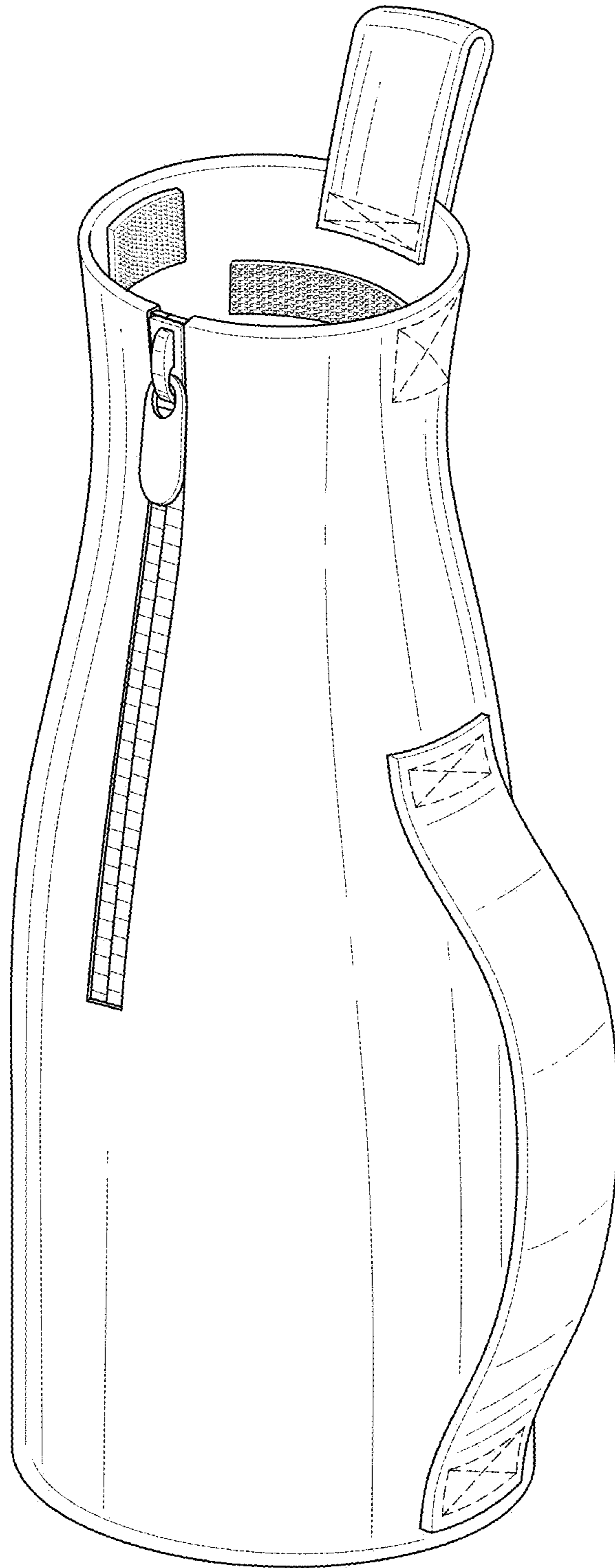


FIG. 1

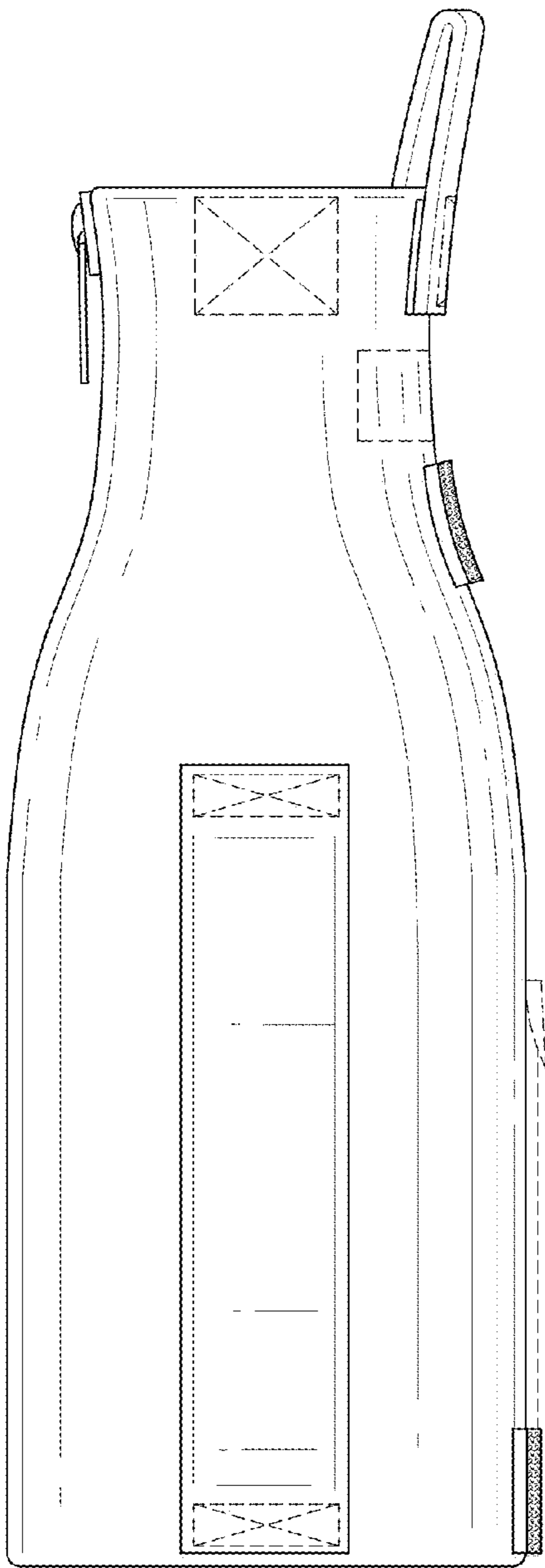


FIG. 2

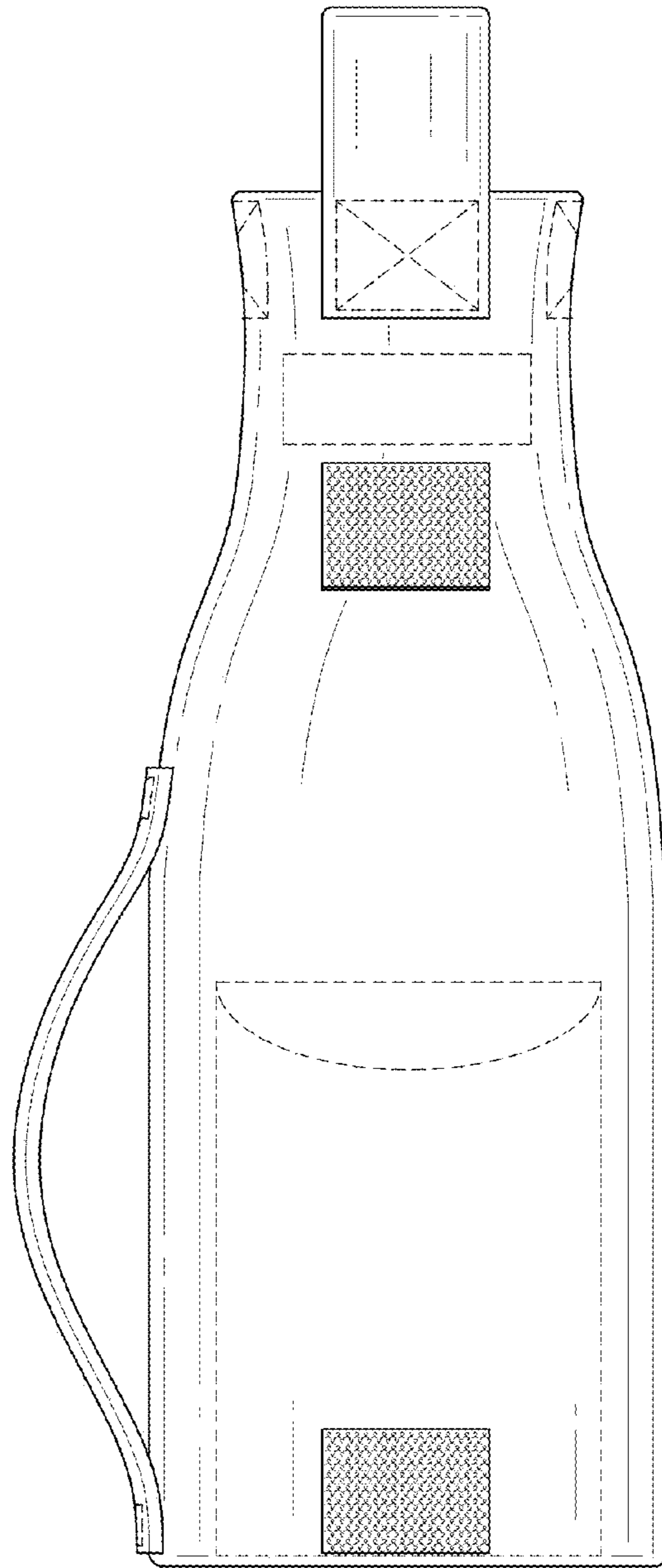


FIG. 3

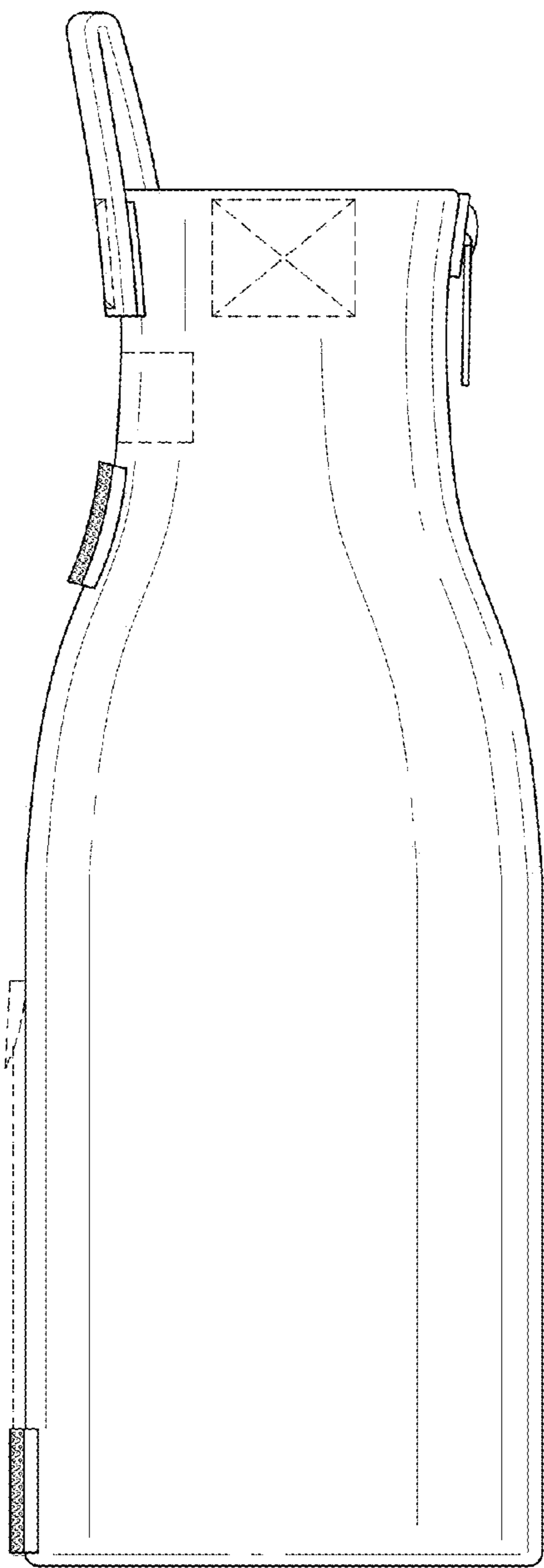


FIG. 4

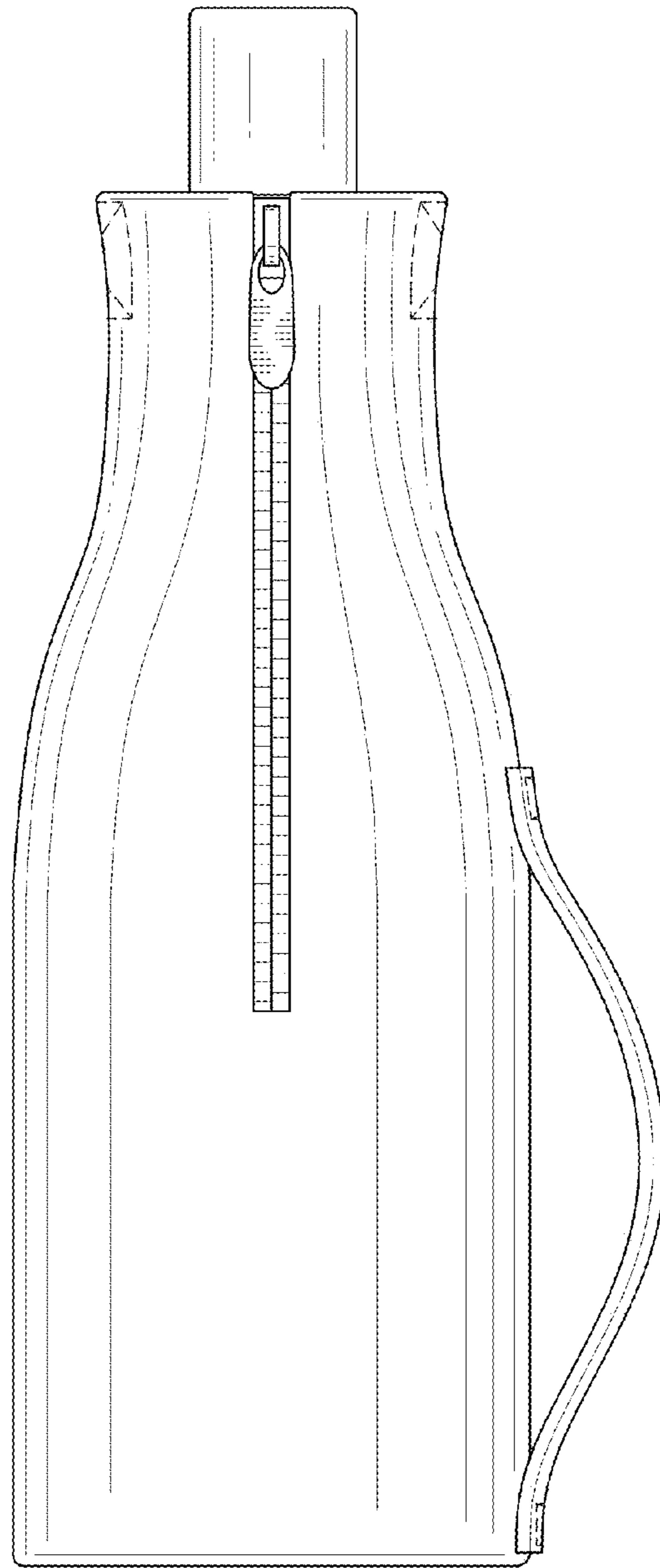


FIG. 5

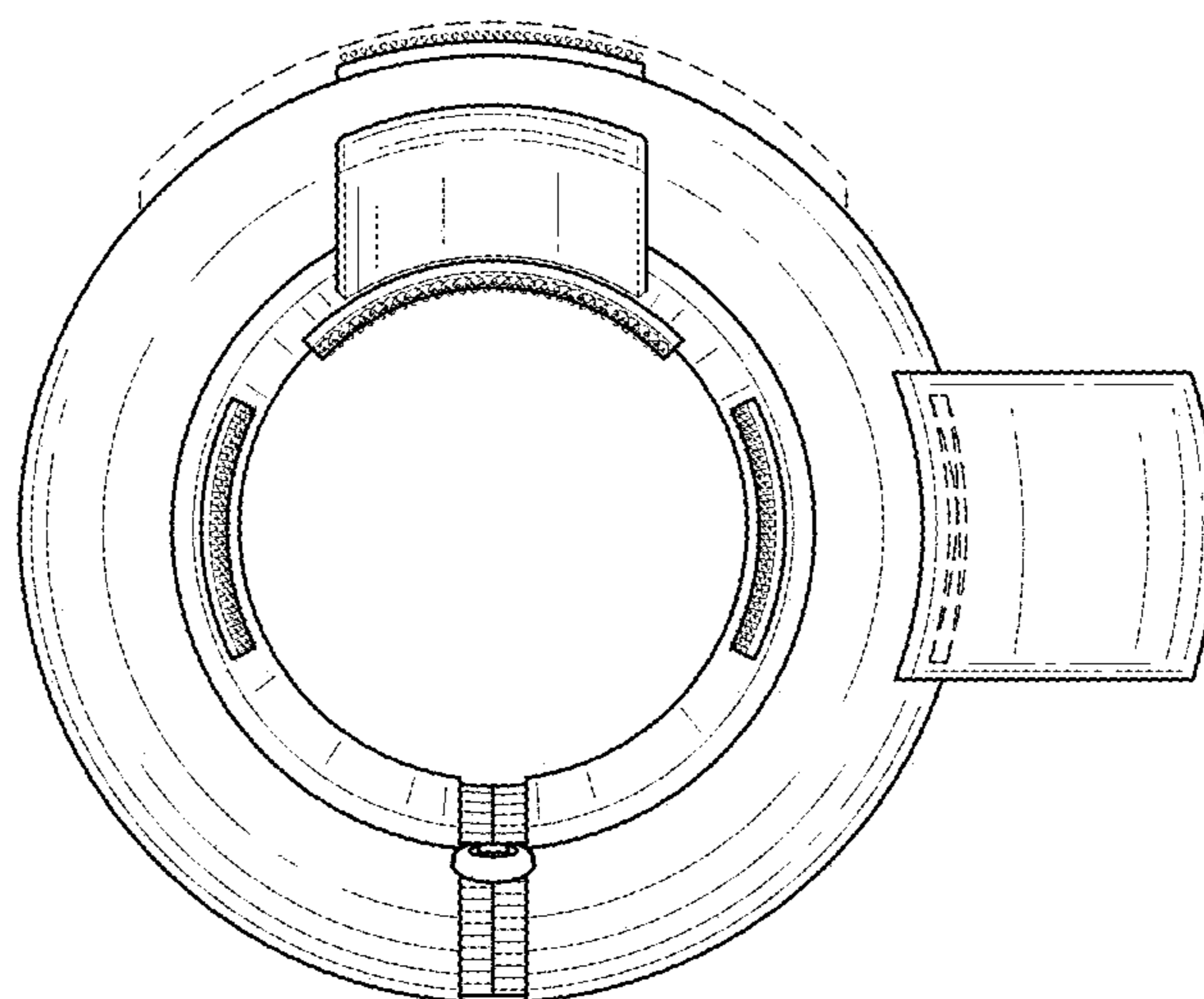


FIG. 6

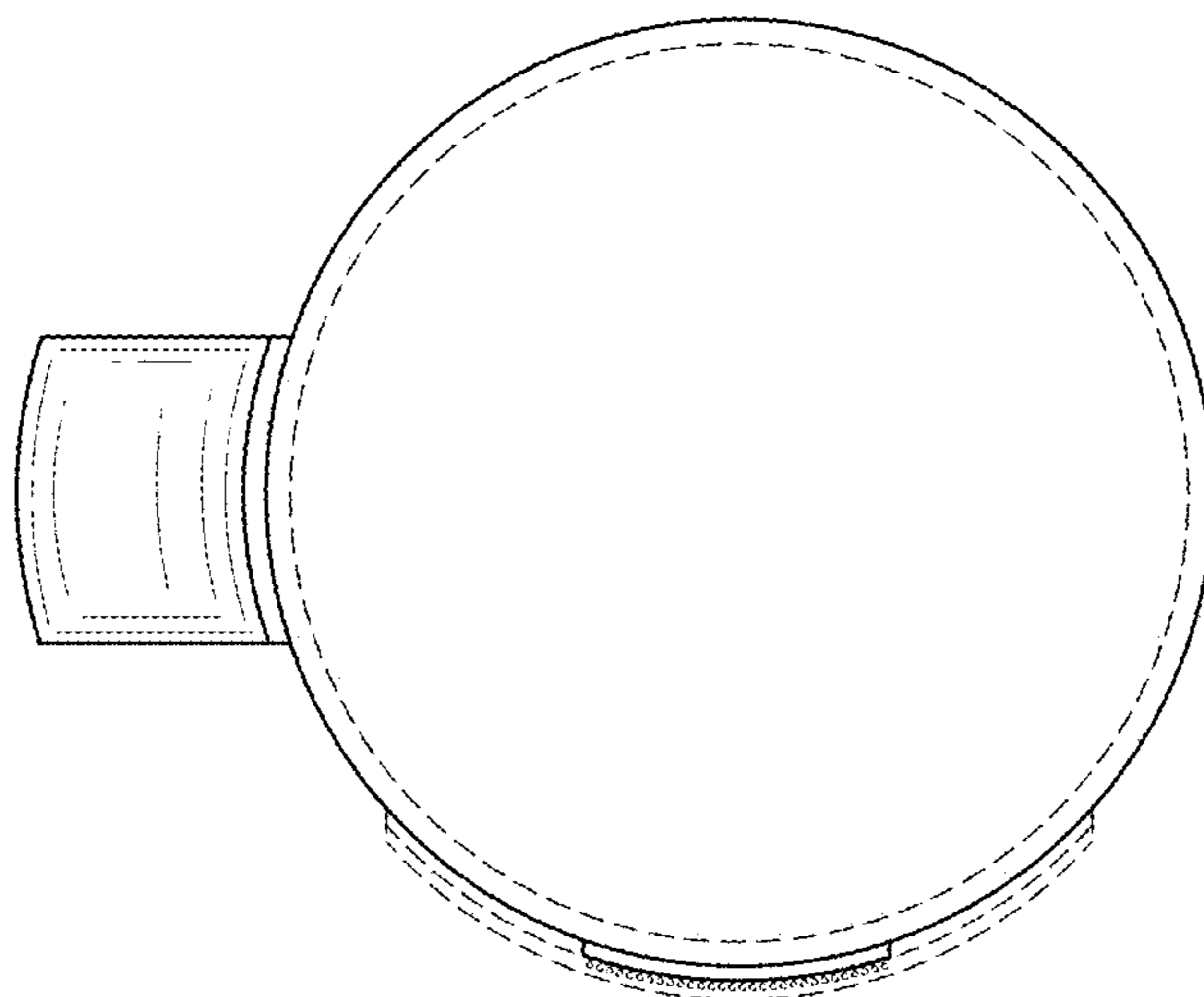


FIG. 7