



US00D714098S

(12) **United States Design Patent**
Zollweg et al.

(10) **Patent No.:** **US D714,098 S**
(45) **Date of Patent:** **** Sep. 30, 2014**

- (54) **GLASS**
 - (71) Applicant: **Libbey Glass Inc.**, Toledo, OH (US)
 - (72) Inventors: **Robert Laurel Zollweg**, Toledo, OH (US); **Joseph Rey Hawkins**, Bossier City, LA (US)
 - (73) Assignee: **Libbey Glass Inc.**, Toledo, OH (US)
 - (**) Term: **14 Years**
 - (21) Appl. No.: **29/484,109**
 - (22) Filed: **Mar. 6, 2014**
 - (51) **LOC (10) Cl.** **07-01**
 - (52) **U.S. Cl.**
USPC **D7/523; D7/530**
 - (58) **Field of Classification Search**
USPC 1/524, 537, 528, 526, 523, 530, 531,
1/396.2, 396.1, 509, 532; D9/500;
220/501, 703; 215/6, 10, 374, 377,
215/372; D11/152, 154; D26/22; D34/1;
D19/85
- See application file for complete search history.

- D466,467 S * 12/2002 Hodges D12/211
- D471,763 S 3/2003 Hurlbut et al.
- D504,280 S 4/2005 Chuang
- D505,297 S * 5/2005 Poeting D7/507
- D513,931 S 1/2006 Liu
- D521,803 S * 5/2006 Bieger D7/396.4
- D533,747 S 12/2006 Jin
- D546,126 S 7/2007 Bhavnani et al.
- D673,421 S 1/2013 Chiu et al.
- 8,574,647 B1 * 11/2013 Gunderson 426/115

OTHER PUBLICATIONS

Fortessa Canada, Fortessa Canada Leading the Way in Tableware, catalog, 2013, p. 333, Fortessa Canada, Canada.

* cited by examiner

Primary Examiner — Marianne Pandozzi

(74) *Attorney, Agent, or Firm* — MacMillan, Sobanski & Todd, LLC

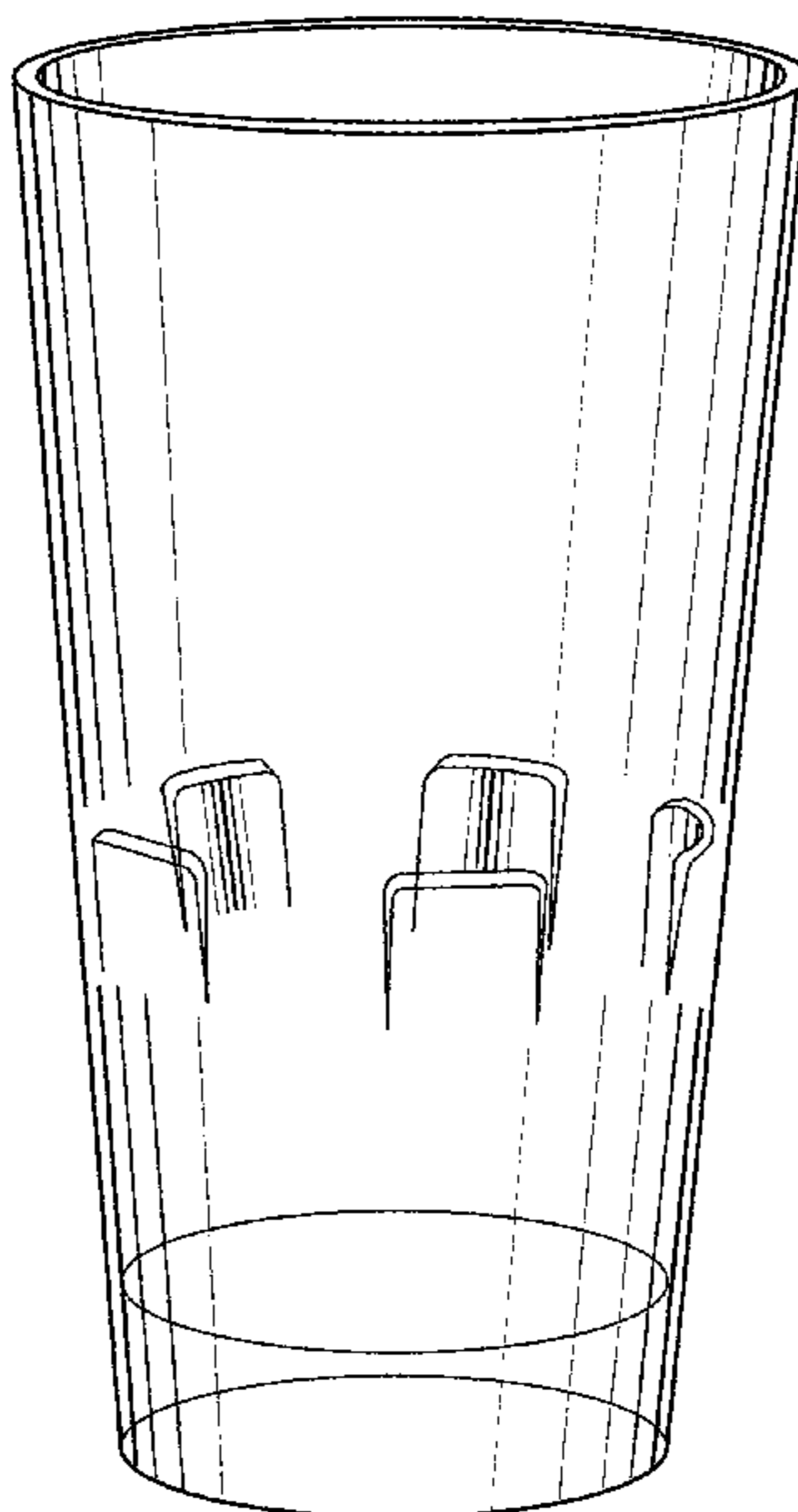
(57) **CLAIM**
The ornamental design for a glass, as shown.

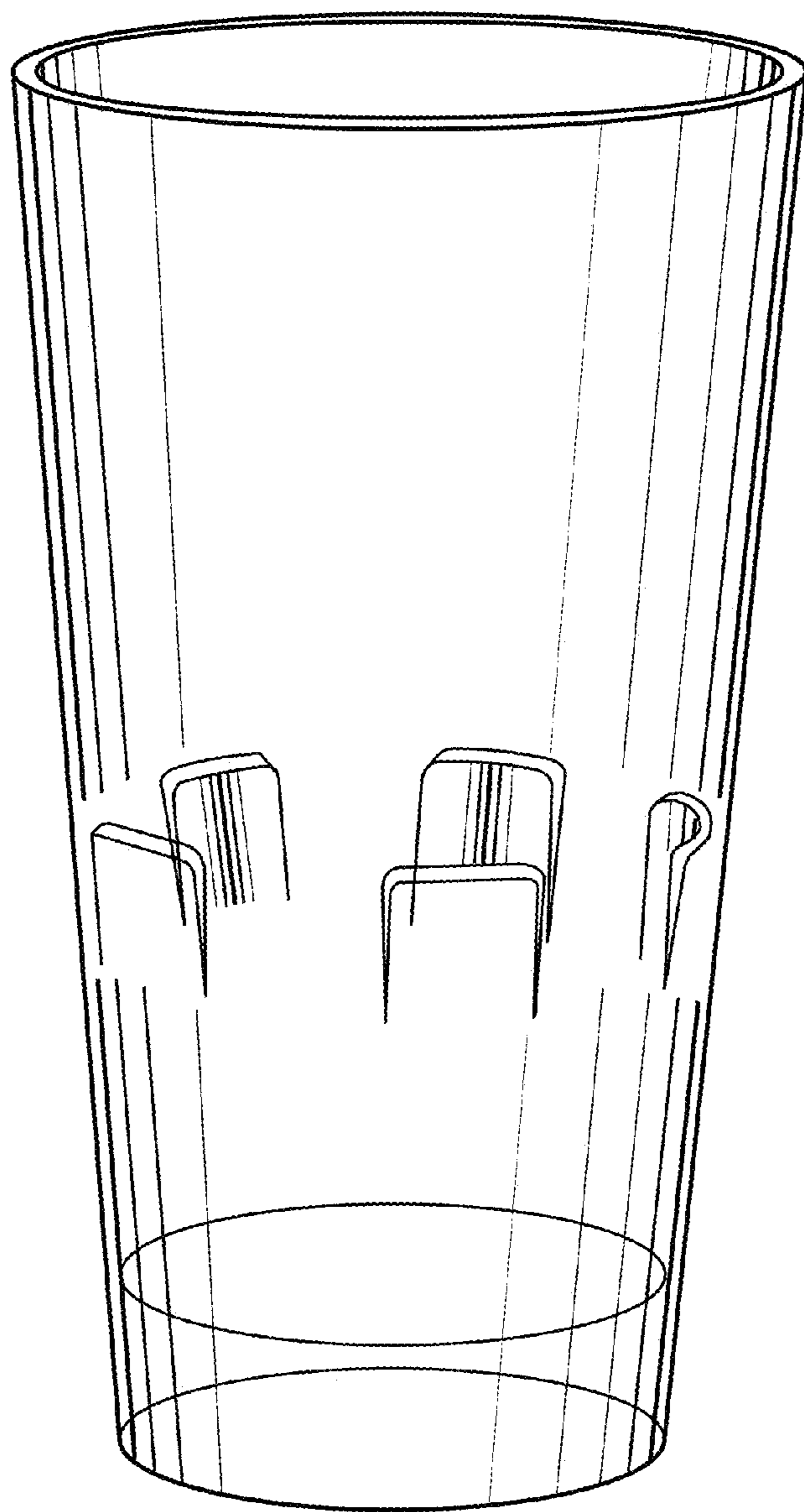
DESCRIPTION

FIG. 1 is a perspective view of a glass showing our new design;
 FIG. 2 is a top plan view thereof;
 FIG. 3 is a bottom plan view thereof;
 FIG. 4 is a cross-sectional view taken along line 4-4 as shown in FIG. 2;
 FIG. 5 is perspective view of an alternative embodiment of a glass according to the design;
 FIG. 6 is a top plan view thereof;
 FIG. 7 is a bottom plan view thereof; and,
 FIG. 8 is a perspective view of a glass showing a second embodiment our new design.

1 Claim, 5 Drawing Sheets

- (56) **References Cited**
- U.S. PATENT DOCUMENTS
- D64,365 S * 4/1924 Oldham D12/573
- D81,984 S * 9/1930 Maple D7/531
- D83,320 S * 2/1931 Freese et al. D7/531
- D97,103 S * 10/1935 Spare D7/531
- D107,781 S * 1/1938 Mackelfresh D7/531
- D112,856 S * 1/1939 Cunningham D7/526
- 2,563,352 A 8/1951 Morse
- D186,246 S 9/1959 Fuerst et al.
- D293,869 S * 1/1988 Durand D7/531
- D297,090 S * 8/1988 West D7/523
- D434,603 S * 12/2000 Benson D7/536





—FIG. 1

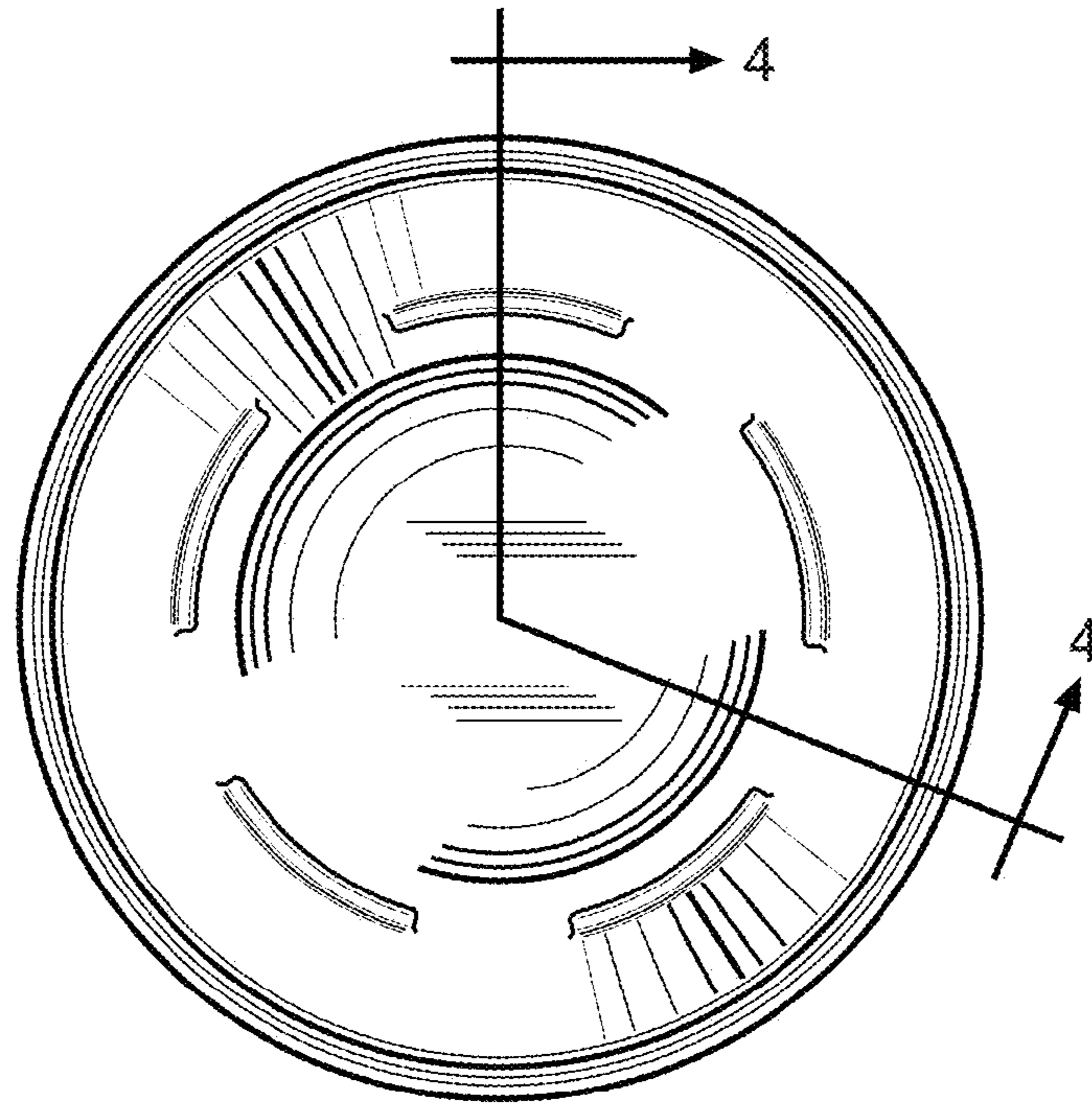


FIG. 2

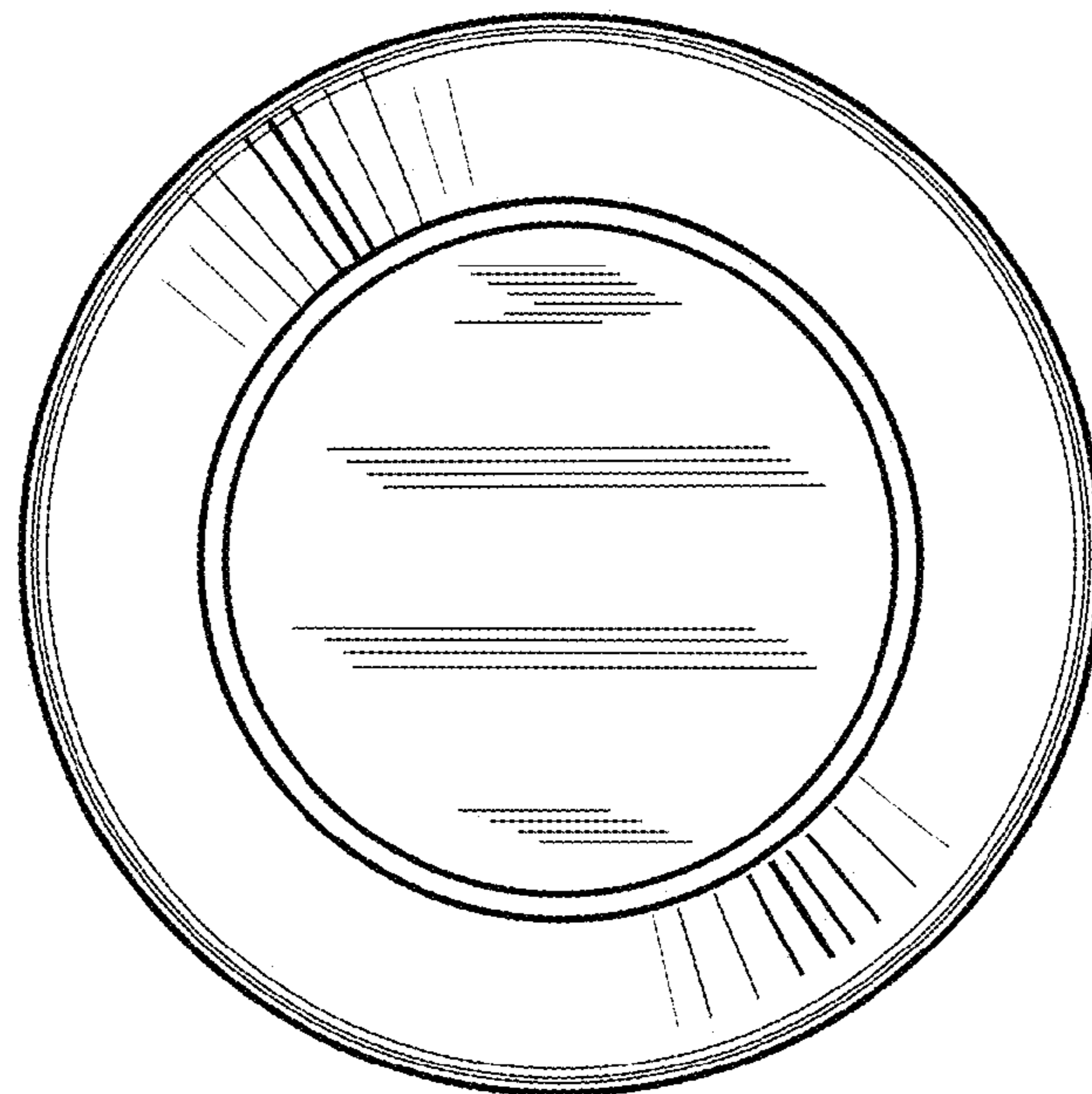
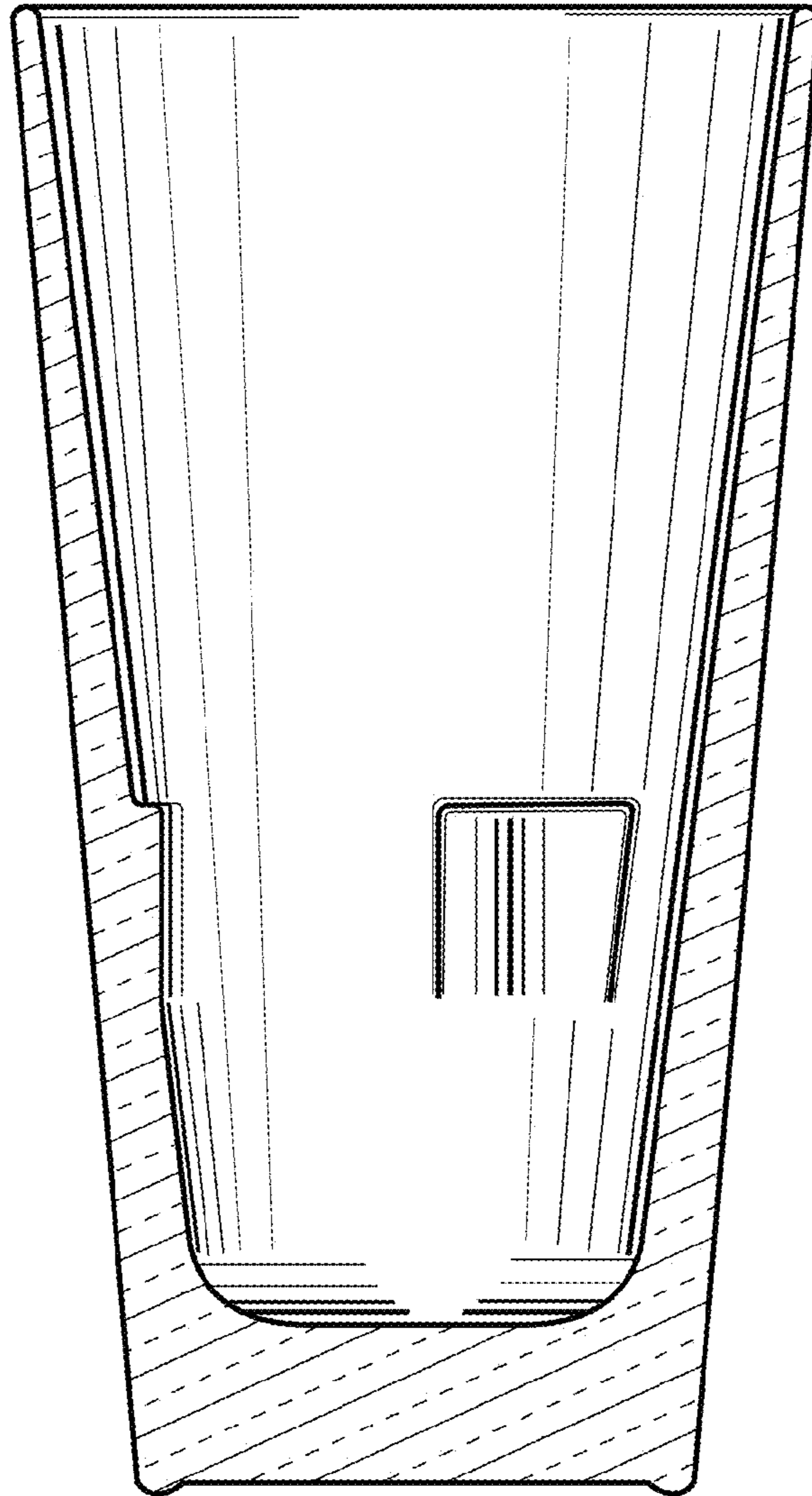


FIG. 3



— FIG. 4

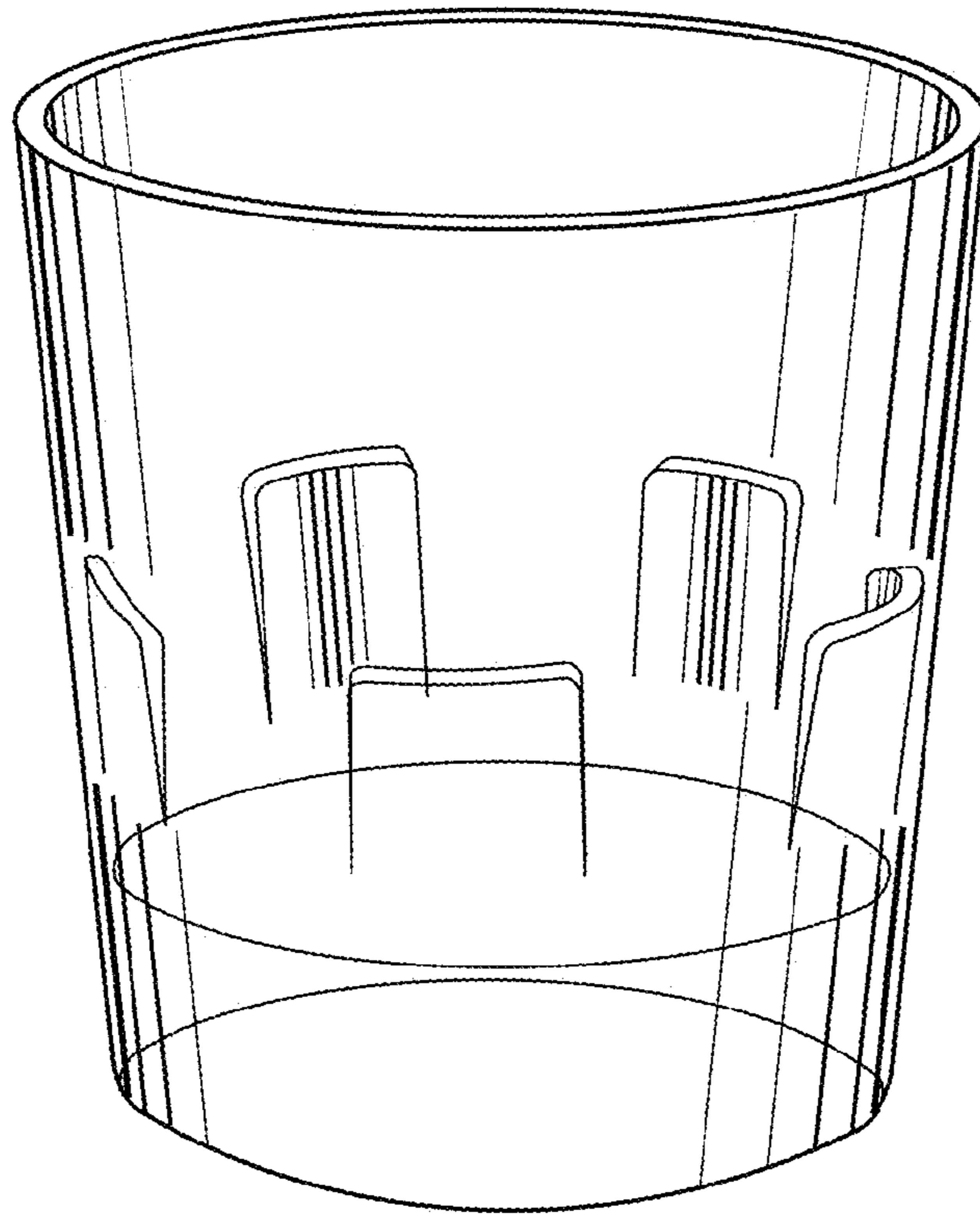


FIG. 5

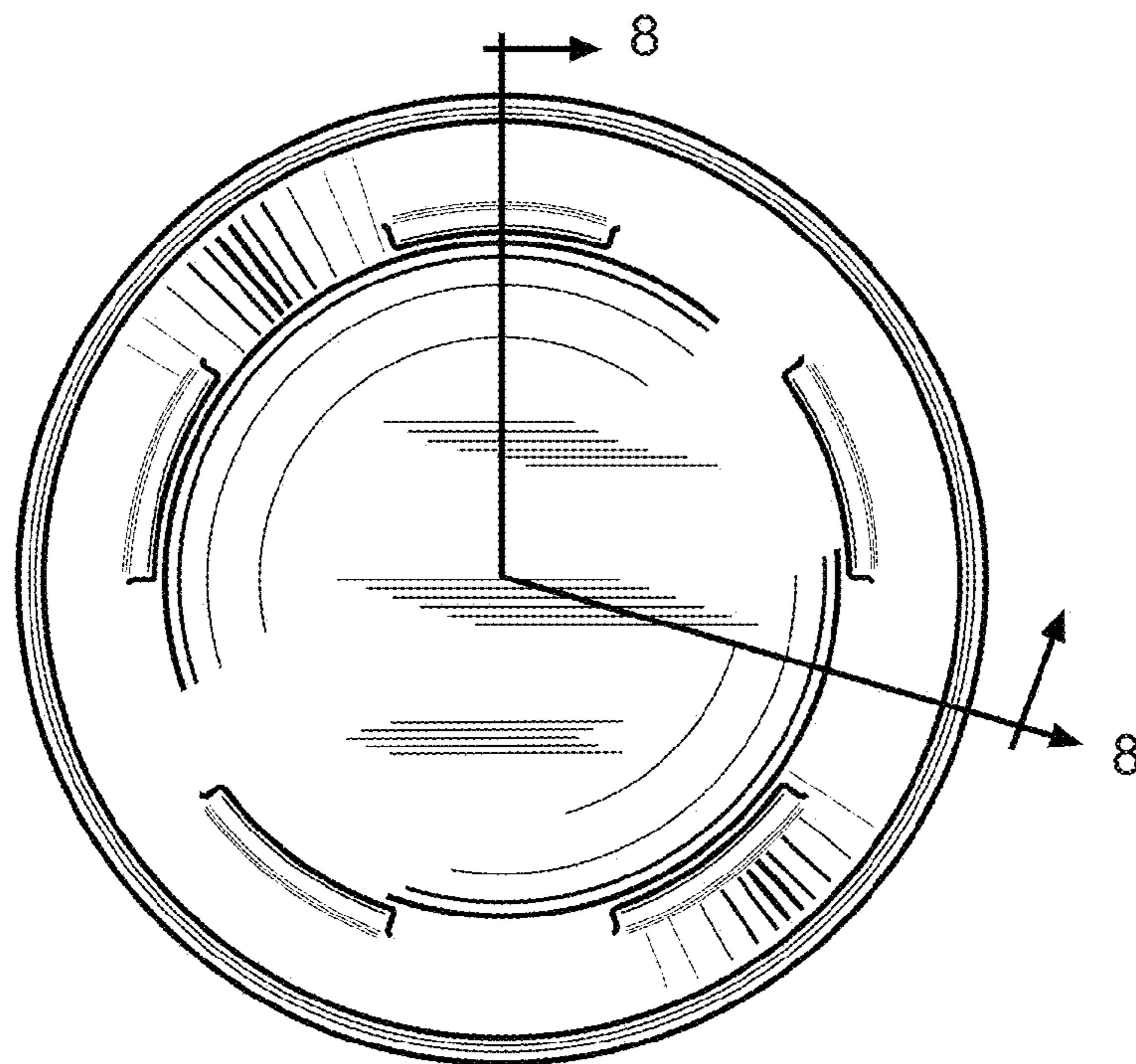
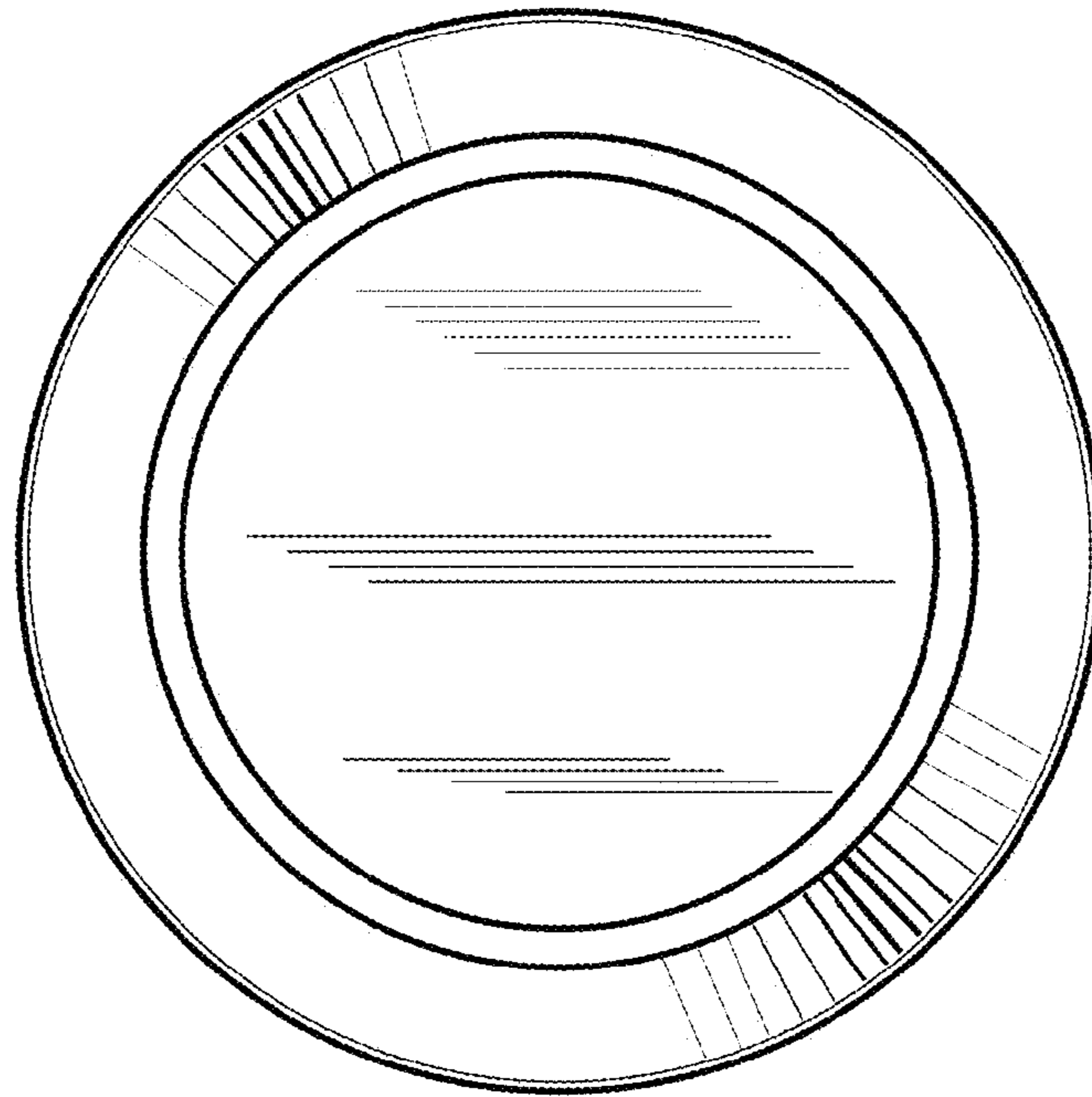
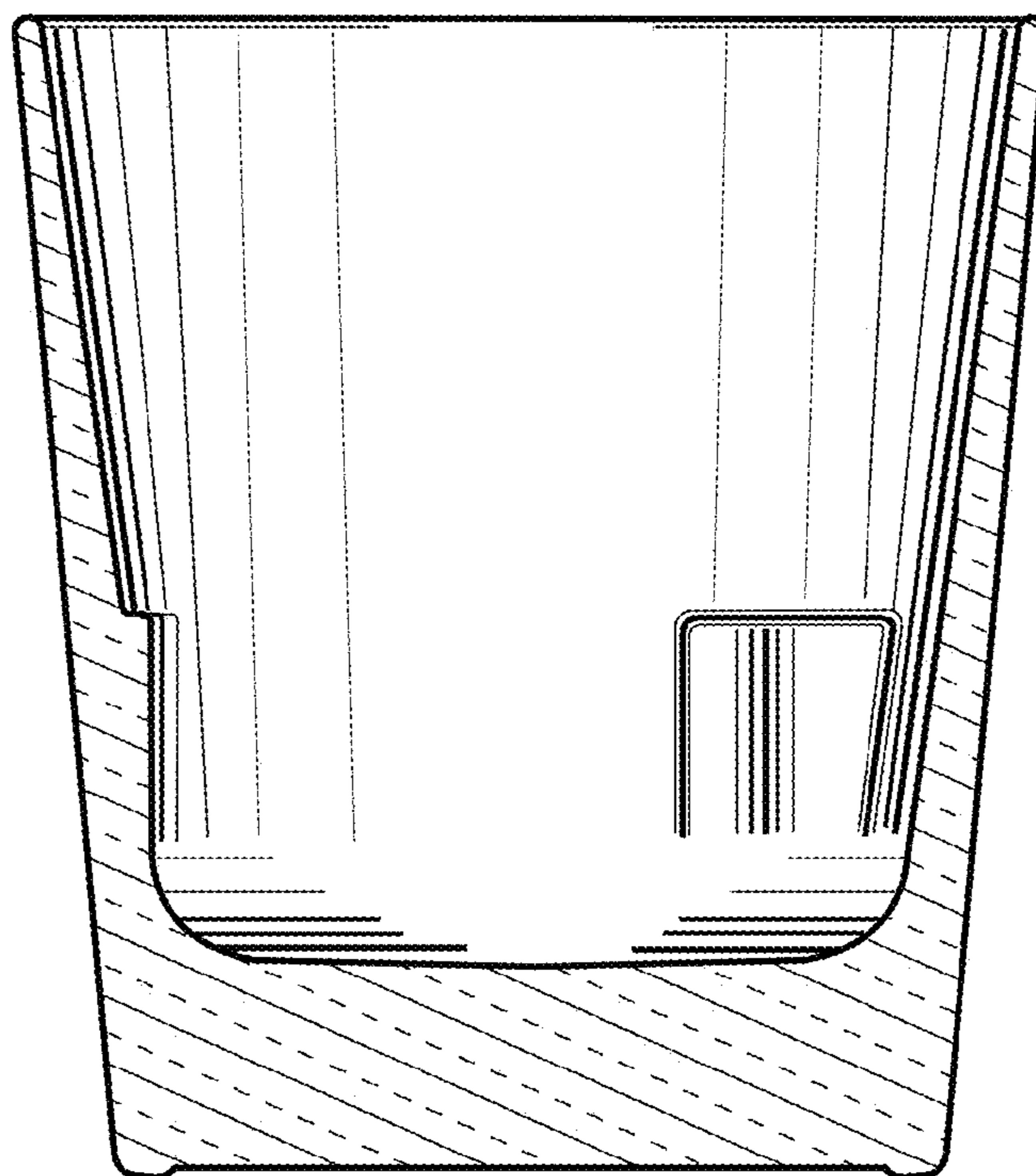


FIG. 6



— FIG. 7



— FIG. 8

UNITED STATES PATENT AND TRADEMARK OFFICE
CERTIFICATE OF CORRECTION

PATENT NO. : D714,098 S
APPLICATION NO. : 29/484109
DATED : September 30, 2014
INVENTOR(S) : Robert Laurel Zollweg and Joseph Rey Hawkins

Page 1 of 1

It is certified that error appears in the above-identified patent and that said Letters Patent is hereby corrected as shown below:

Title Page, Column 2

In the Description:

Fig. 5, delete the text "FIG. 5 is perspective view of an alternative embodiment of a glass according to the design;" and insert -- FIG. 5 is a perspective view of a glass showing a second embodiment of our new design; --

Fig. 8, delete the text "FIG. 8 is a perspective view of a glass showing a second embodiment our new design." and insert -- FIG. 8 is a cross-sectional view taken along line 8-8 as shown in FIG. 6. --

Signed and Sealed this
Thirtieth Day of December, 2014



Michelle K. Lee
Deputy Director of the United States Patent and Trademark Office