



US00D714096S

(12) **United States Design Patent**
Boo et al.

(10) **Patent No.:** **US D714,096 S**
(45) **Date of Patent:** **** Sep. 30, 2014**

(54) **CONTROL PANEL**

(71) Applicant: **Samsung Electronics Co., Ltd.**,
Suwon-si (KR)

(72) Inventors: **Min-Hyong Boo**, Seoul (KR);
Kyung-Tae Kim, Suwon-Si (KR);
Kang-Doo Kim, Seoul (KR)

(73) Assignee: **Samsung Electronics Co., Ltd.**,
Suwon-si (KR)

(**) Term: **14 Years**

(21) Appl. No.: **29/456,027**

(22) Filed: **May 28, 2013**

(30) **Foreign Application Priority Data**

Dec. 5, 2012 (KR) 30-2012-0058436

(51) **LOC (10) Cl.** **07-02**

(52) **U.S. Cl.**
USPC **D7/406**

(58) **Field of Classification Search**
USPC D7/340, 348, 350.1–350.4, 351, 402,
D7/405–406; 219/756–758, 391, 393, 395,
219/401, 452.13; 126/19 M, 275 E; 99/348,
99/353, 367, 468; D32/3, 28
See application file for complete search history.

(56) **References Cited**

U.S. PATENT DOCUMENTS

D271,269 S * 11/1983 Vetter et al. D7/407
D369,514 S * 5/1996 Baldwin D7/406
D513,463 S * 1/2006 Wong et al. D7/406
D513,684 S * 1/2006 Jackovin et al. D7/406

D536,568 S * 2/2007 Ostlund et al. D7/340
D564,837 S * 3/2008 Green et al. D7/406
D612,680 S * 3/2010 Baker et al. D7/405
D612,684 S * 3/2010 Baker et al. D7/405
D612,685 S * 3/2010 Baker et al. D7/405
D645,702 S * 9/2011 Baacke et al. D7/405
D668,109 S * 10/2012 Borjesson D7/406
D668,110 S * 10/2012 Borjesson D7/406
D682,614 S * 5/2013 Loyd D7/406
D684,422 S * 6/2013 Funnell et al. D7/406

* cited by examiner

Primary Examiner — T. Chase Nelson

Assistant Examiner — Mark Cavanna

(74) *Attorney, Agent, or Firm* — NSIP Law

(57) **CLAIM**

The ornamental design for a control panel, as shown and described.

DESCRIPTION

FIG. 1 is a perspective view of a control panel, showing our new design;
FIG. 2 is a front view thereof;
FIG. 3 is a rear view thereof;
FIG. 4 is a left-side view thereof;
FIG. 5 is a right-side view thereof;
FIG. 6 is a top plan view thereof;
FIG. 7 is a bottom plan view thereof; and,
FIG. 8 is a perspective view of a control panel of FIG. 1, in which a gas-range oven in broken lines is provided to illustrate an example environment.
The broken lines are for illustrative purposes only and form no part of the claimed design. The shade lines in the figures show contour and not surface ornamentation. The diagonal lines in the FIGS. 1, 2, 6 and 8 represent a reflective surface.

1 Claim, 5 Drawing Sheets

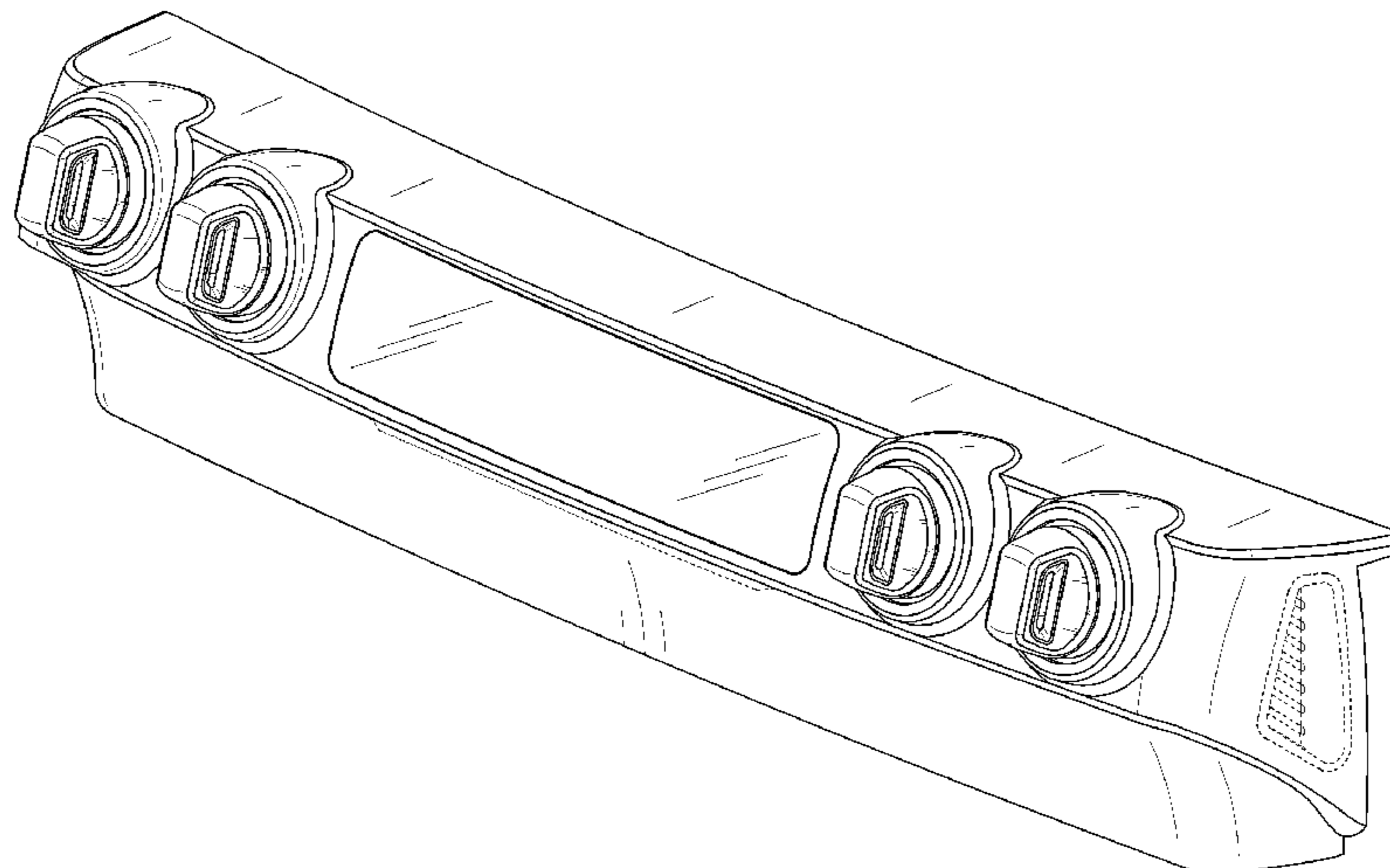


FIG.1

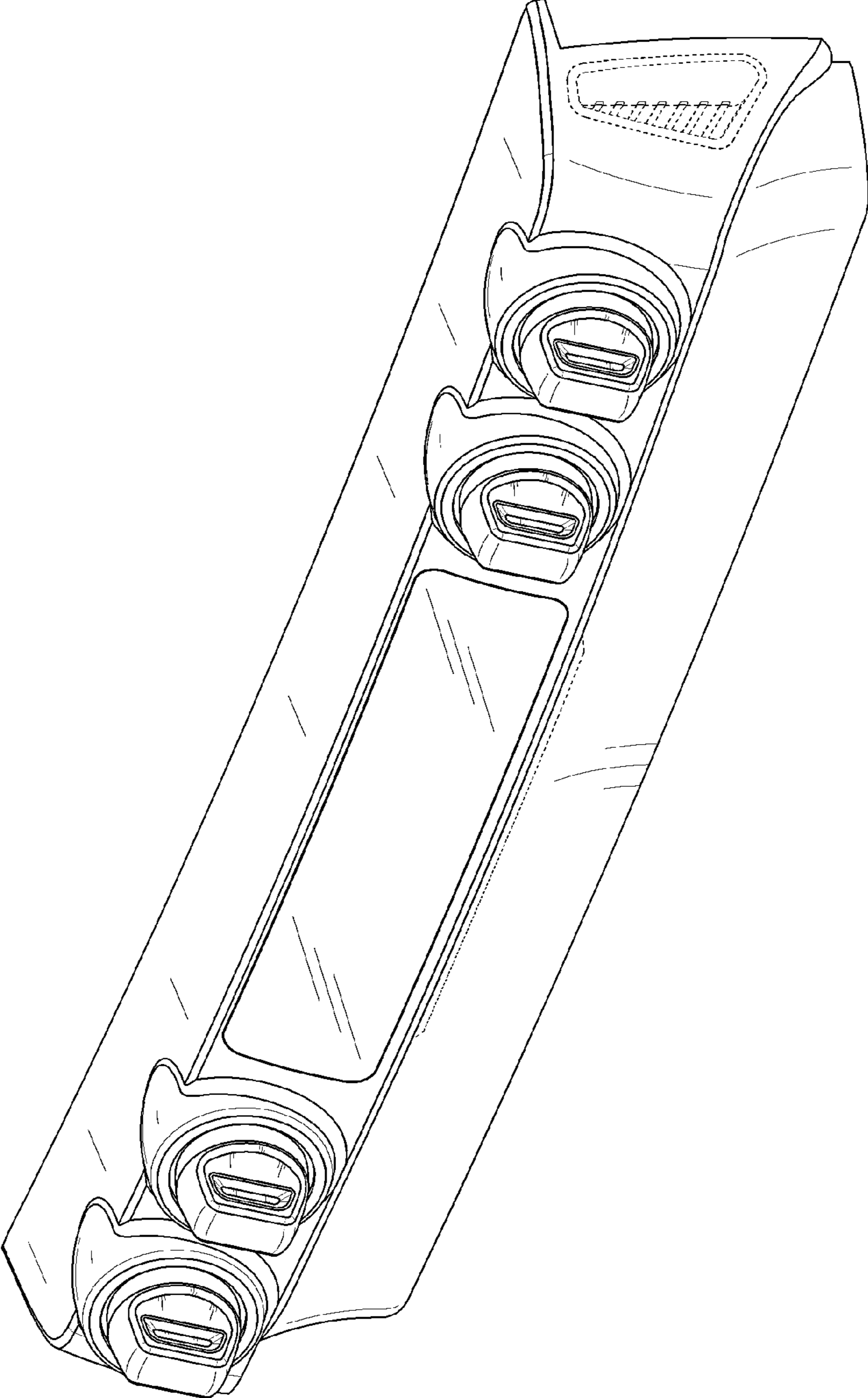


FIG.2

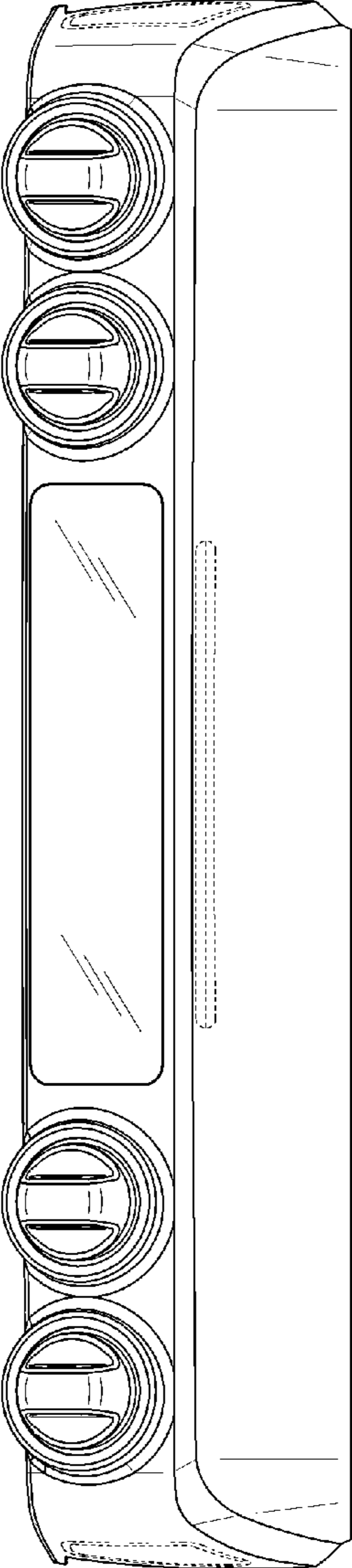


FIG.3

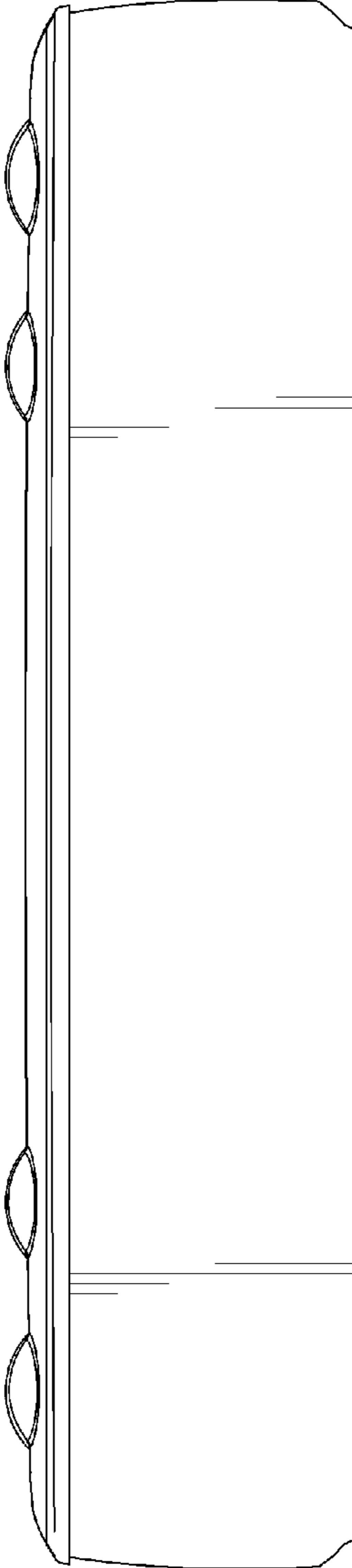


FIG.4

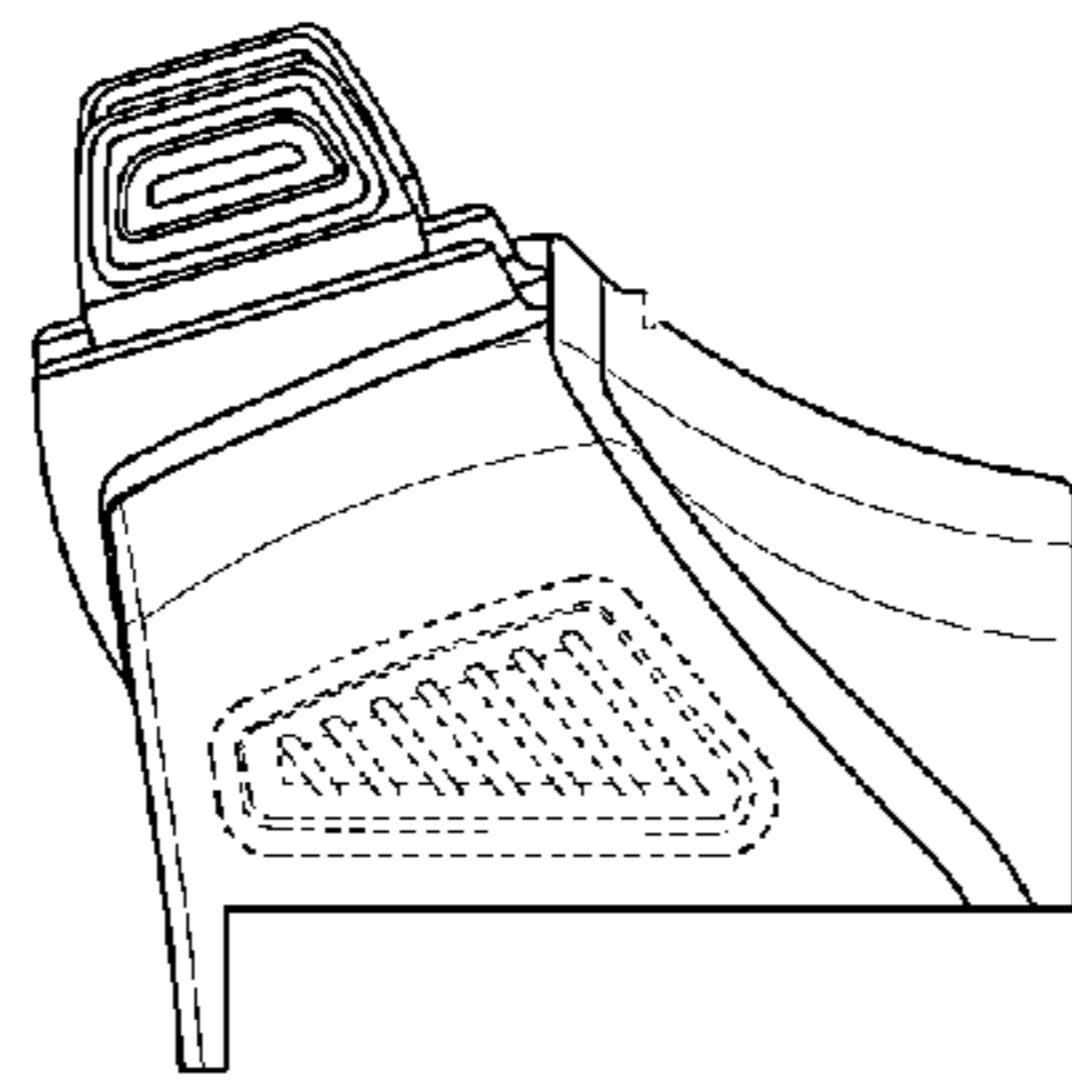


FIG.5

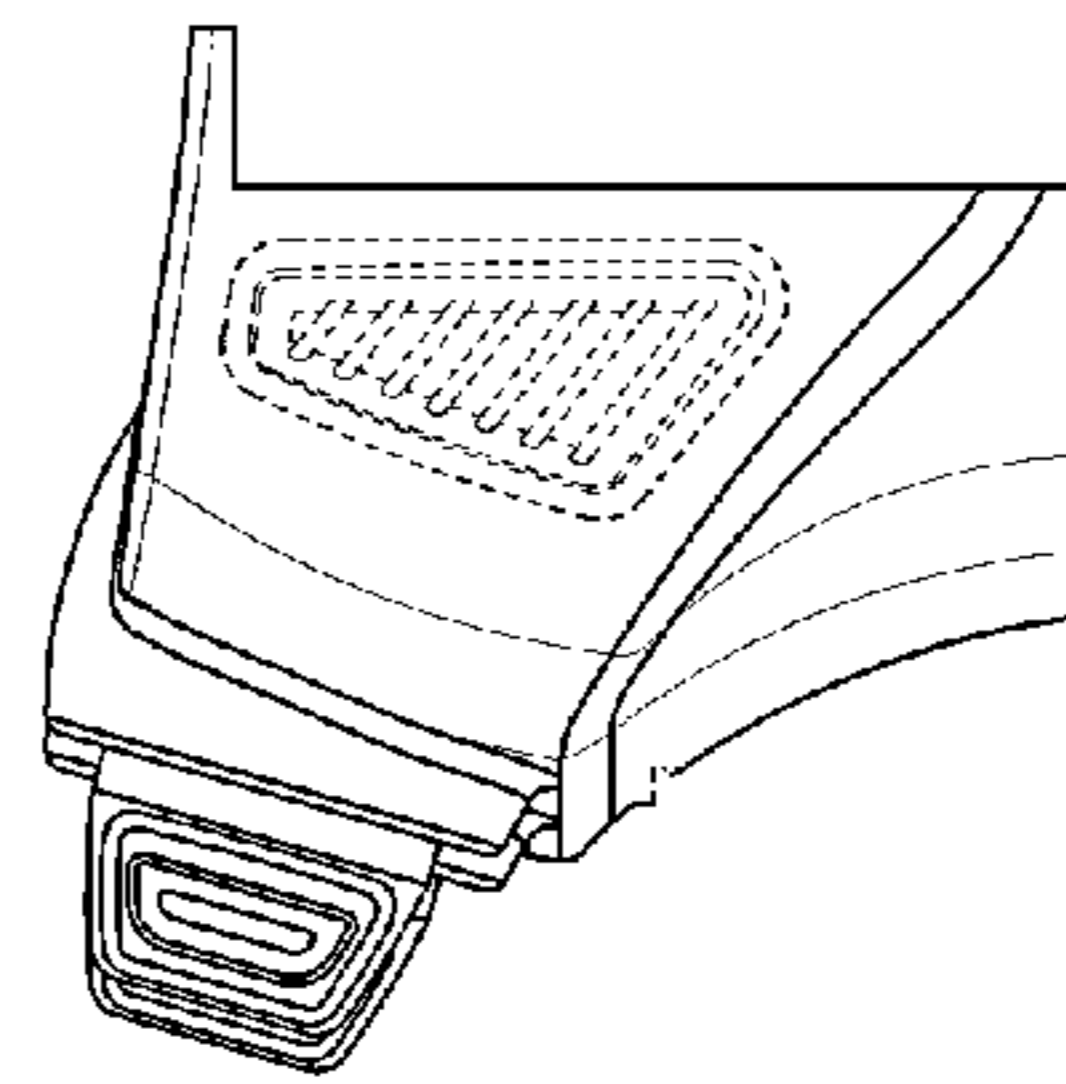


FIG.6

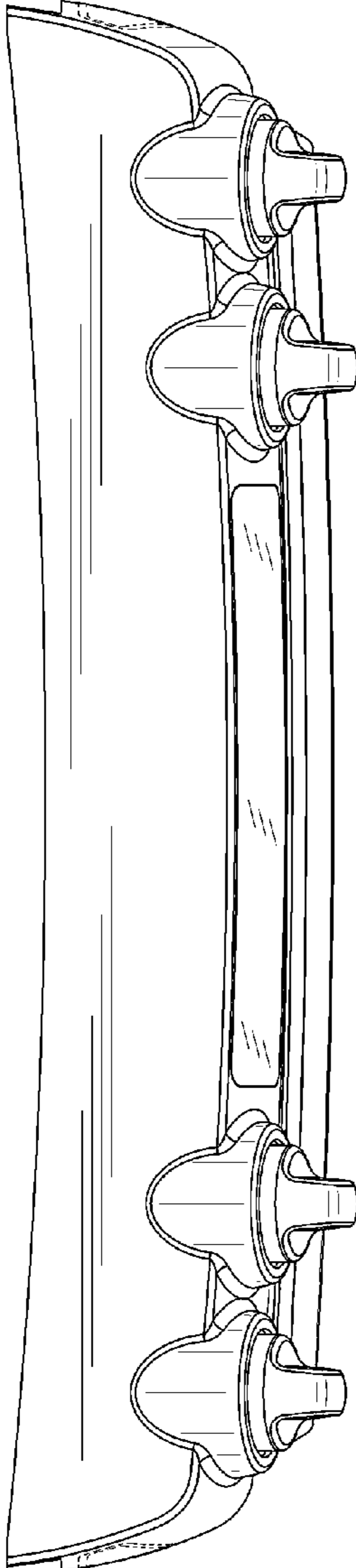


FIG.7

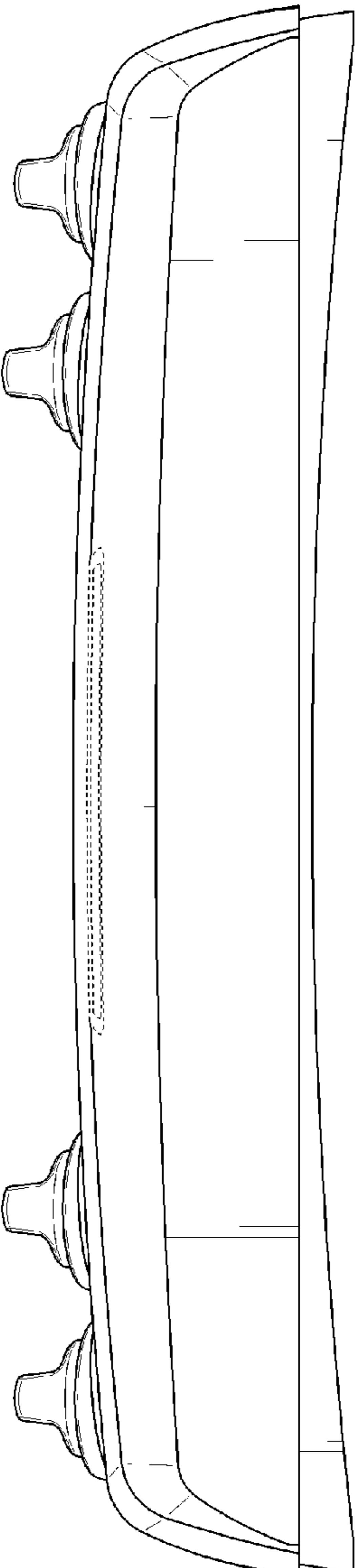


FIG. 8

