



US00D714095S

(12) **United States Design Patent**
Boo et al.

(10) **Patent No.:** **US D714,095 S**

(45) **Date of Patent:** **** Sep. 30, 2014**

(54) **HOME APPLIANCE CONTROL PANEL**

(71) Applicant: **Samsung Electronics Co., Ltd.**,
Suwon-si (KR)

(72) Inventors: **Min-Hyoug Boo**, Seoul (KR);
Kyung-Tae Kim, Suwon-Si (KR);
Kang-Doo Kim, Seoul (KR)

(73) Assignee: **Samsung Electronics Co., Ltd.**,
Suwon-si (KR)

(**) Term: **14 Years**

(21) Appl. No.: **29/456,001**

(22) Filed: **May 28, 2013**

(30) **Foreign Application Priority Data**

Dec. 5, 2012 (KR) 30-2012-0058444

(51) **LOC (10) Cl.** **07-02**

(52) **U.S. Cl.**
USPC **D7/406**

(58) **Field of Classification Search**
USPC D7/340, 348, 350.1–350.4, 351, 402,
D7/405–406; 219/756–758, 391, 393, 395,
219/401, 452.13; 126/19 M, 275 E; 99/348,
99/353, 367, 468; D32/3, 28
See application file for complete search history.

(56) **References Cited**

U.S. PATENT DOCUMENTS

3,598,962 A * 8/1971 Badnaruk et al. 219/452.13
D613,010 S * 3/2010 Eicher et al. D32/28
D628,438 S * 12/2010 Knochner D7/405
D633,336 S * 3/2011 Sadtler D7/405
D645,703 S * 9/2011 Sadtler D7/405

D654,299 S * 2/2012 Benold D7/350.1
D666,054 S * 8/2012 Segers et al. D7/406
D668,107 S * 10/2012 Borjesson D7/405
D668,108 S * 10/2012 Borjesson D7/405
D668,109 S * 10/2012 Borjesson D7/406
D668,110 S * 10/2012 Borjesson D7/406
D681,892 S * 5/2013 Meda et al. D32/28
D681,893 S * 5/2013 Meda et al. D32/28
D684,740 S * 6/2013 Geyer et al. D32/28

* cited by examiner

Primary Examiner — T. Chase Nelson

Assistant Examiner — Mark Cavanna

(74) *Attorney, Agent, or Firm* — NSIP Law

(57) **CLAIM**

The ornamental design for a home appliance control panel, as shown and described.

DESCRIPTION

FIG. 1 is a front perspective view of a home appliance control panel, showing our new design;
FIG. 2 is a front view thereof;
FIG. 3 is a rear view thereof;
FIG. 4 is a left-side view thereof;
FIG. 5 is a right-side view thereof;
FIG. 6 is a top plan view thereof;
FIG. 7 is a bottom plan view thereof;
FIG. 8 is a rear perspective view thereof, showing an opening between a handle portion and a front panel portion of the claimed design; and,
FIG. 9 is a perspective view of a home appliance control panel of FIG. 1, in which an oven in broken lines is provided to illustrate an example environment.
The broken lines are for illustrative purposes only and form no part of the claimed design. The shade lines in the figures show contour and not surface ornamentation.

1 Claim, 6 Drawing Sheets

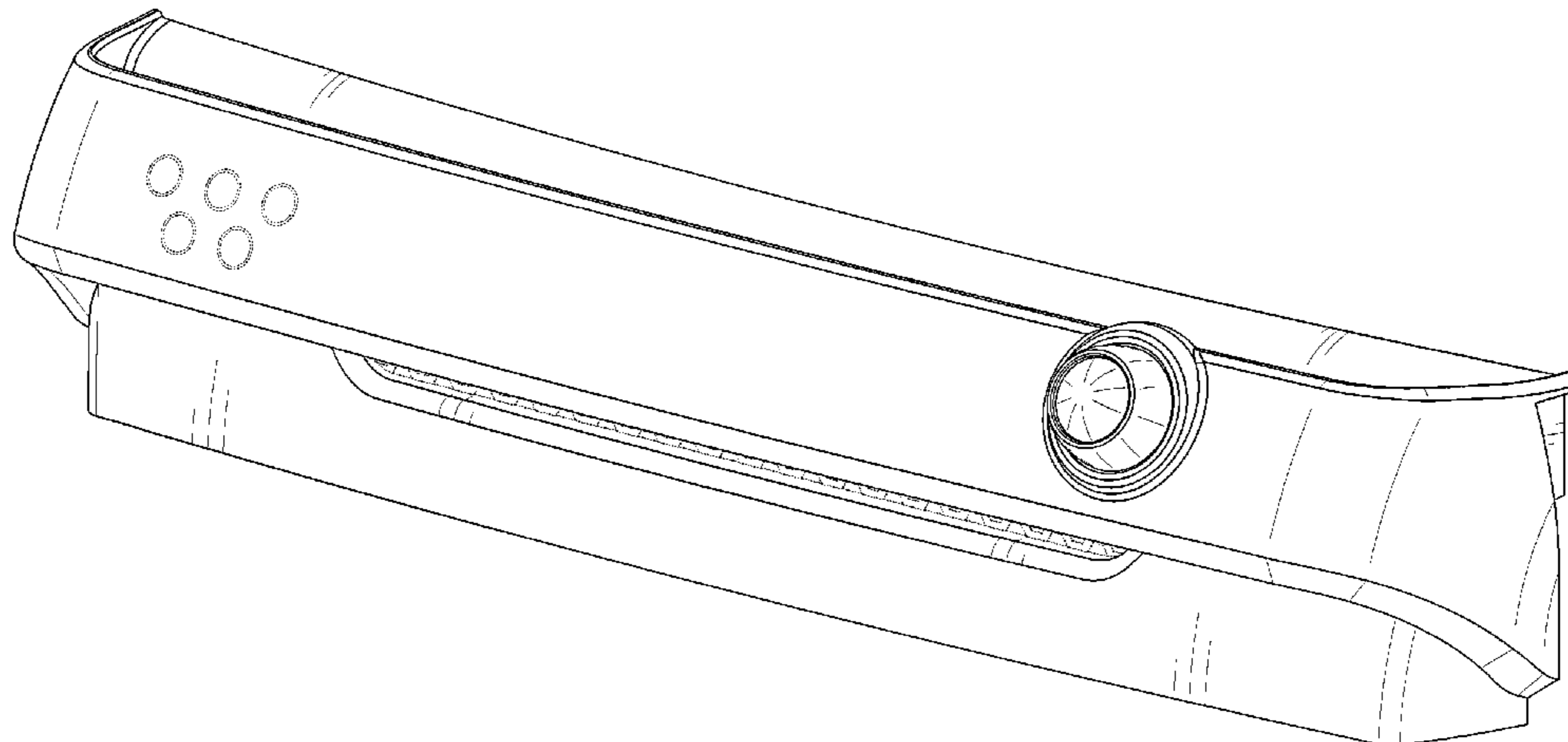


FIG. 1

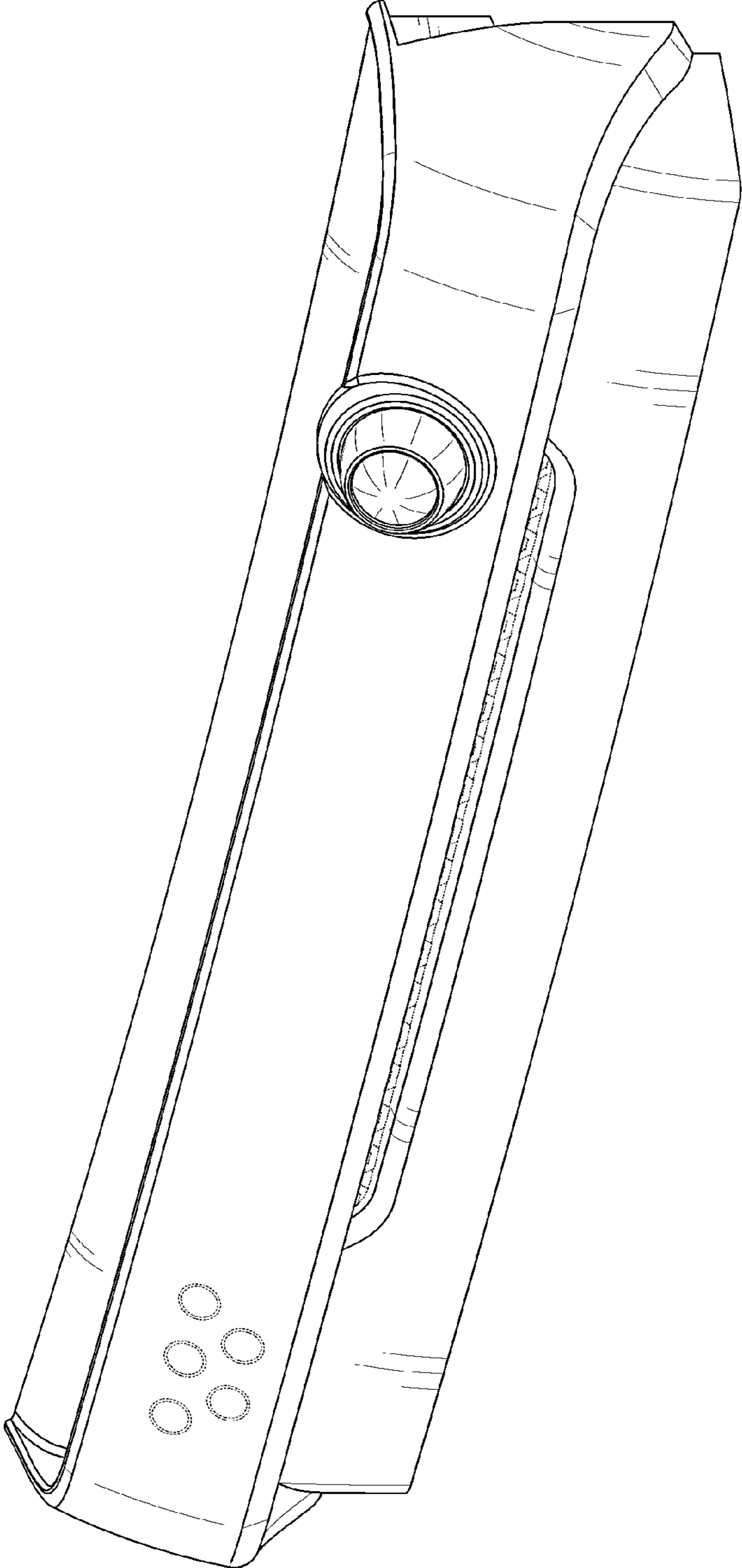


FIG. 2

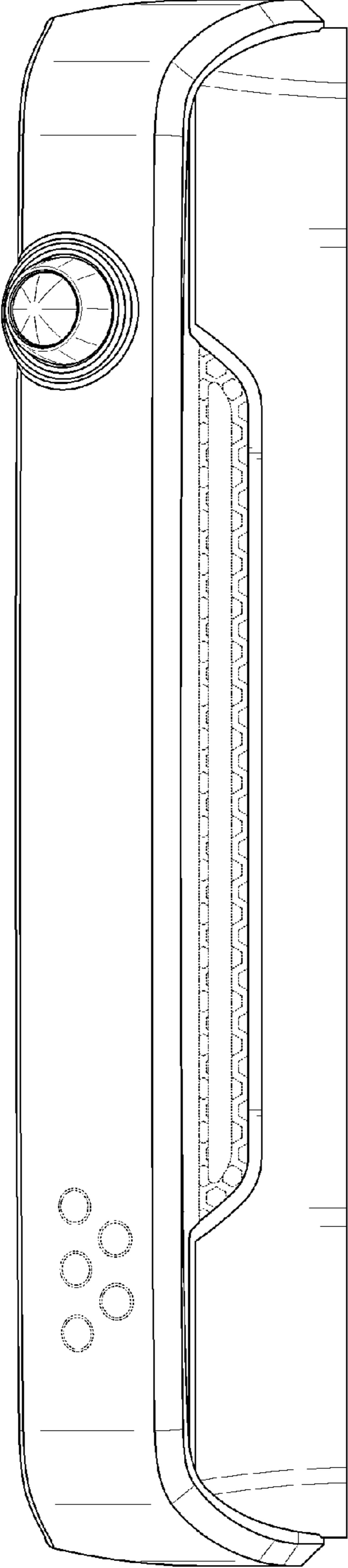


FIG. 3

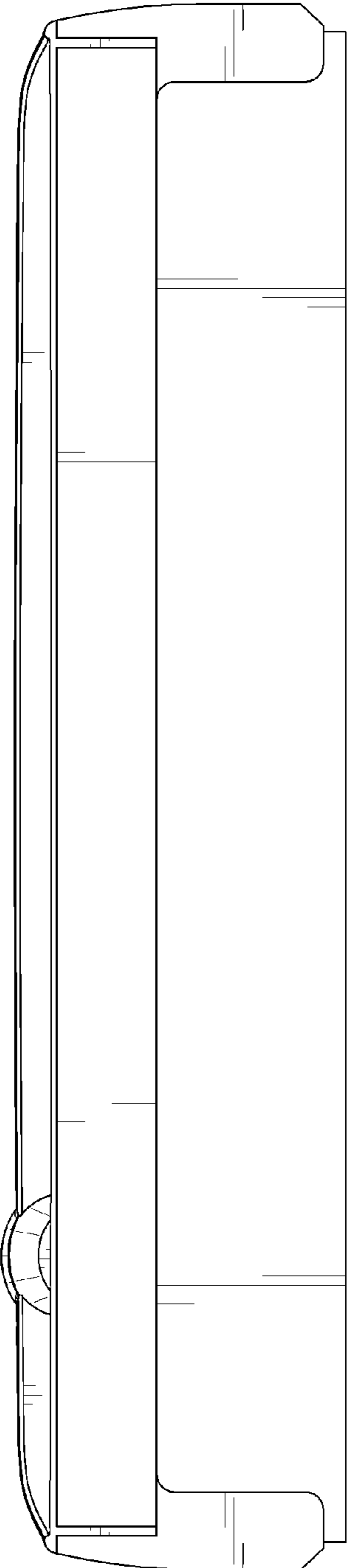


FIG. 4

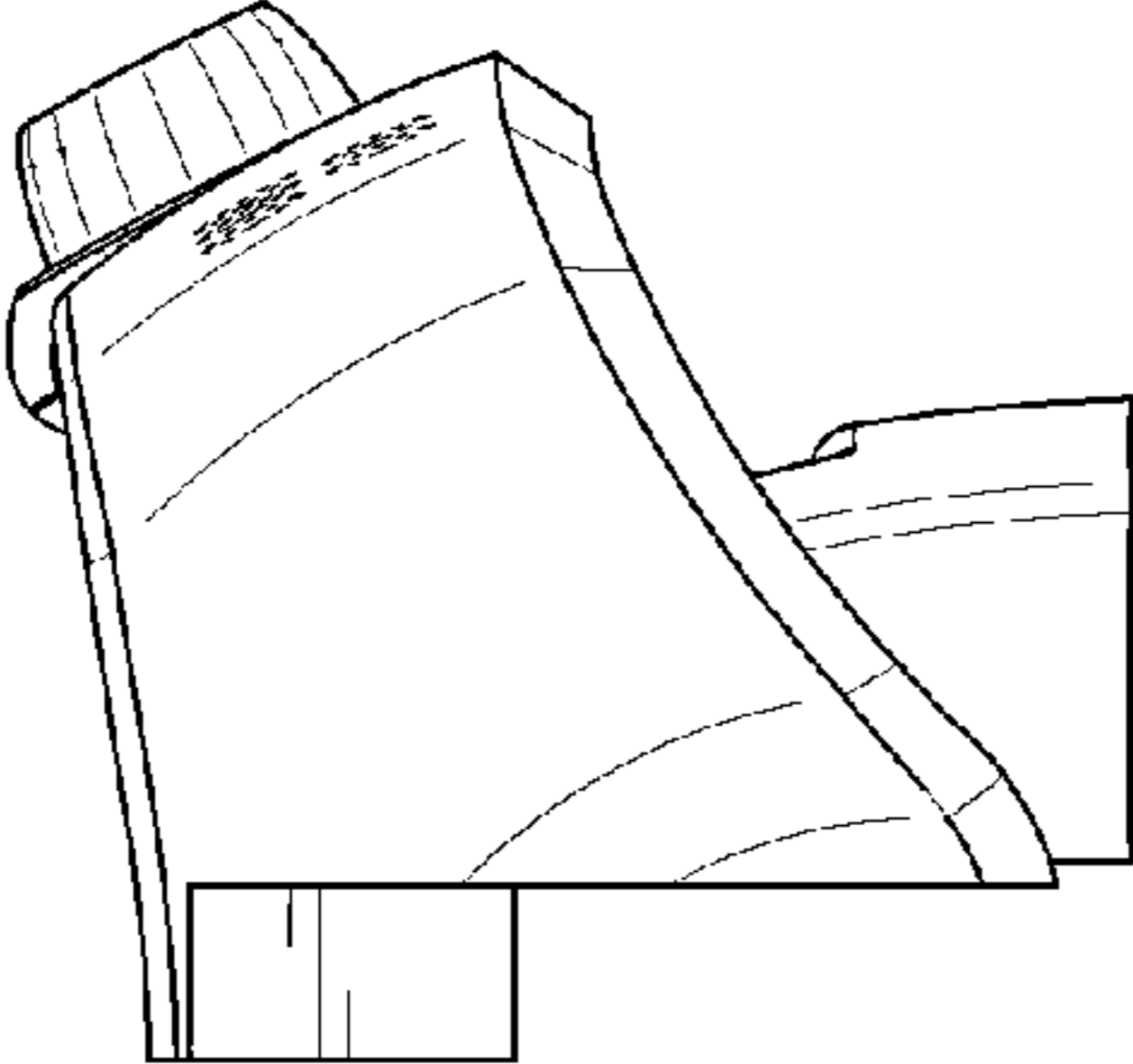


FIG. 5

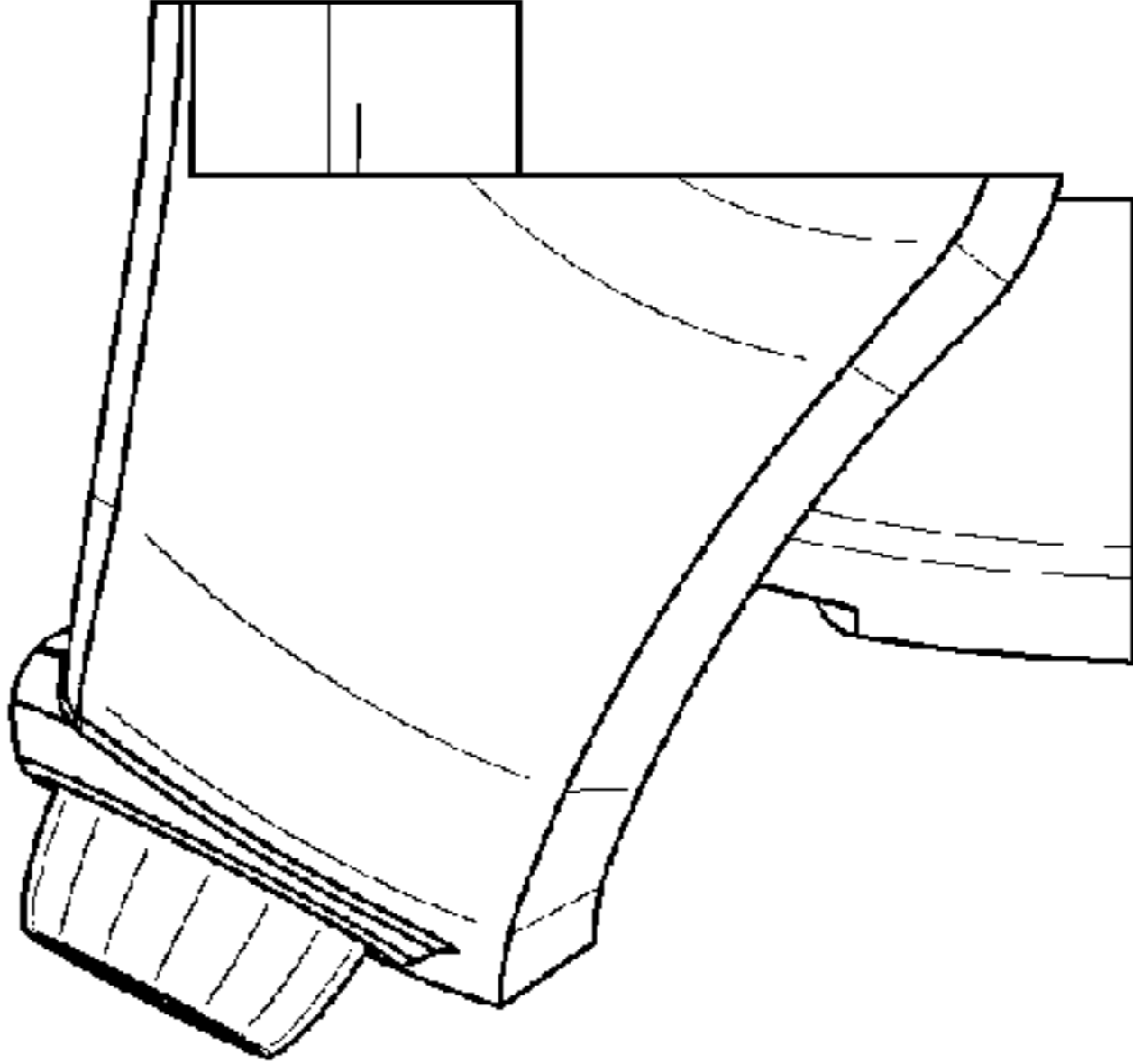


FIG. 6

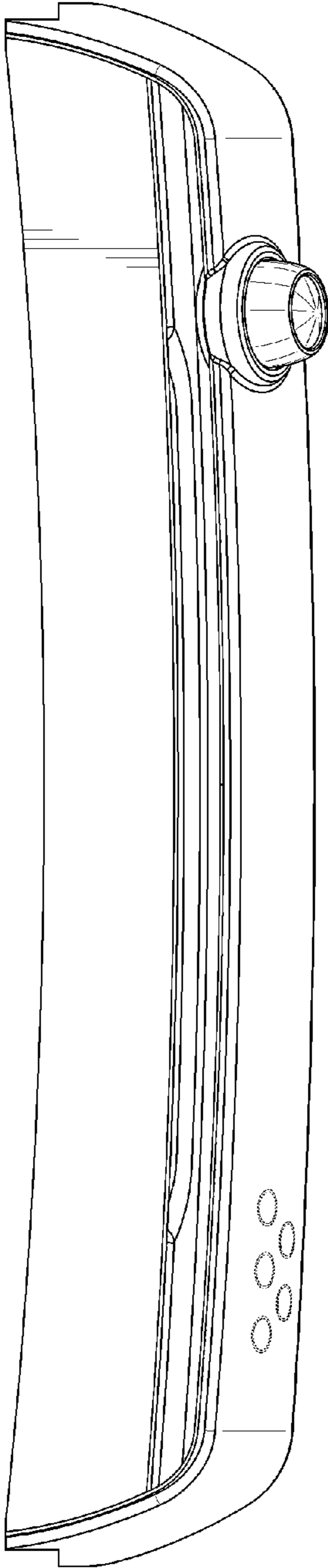


FIG. 7

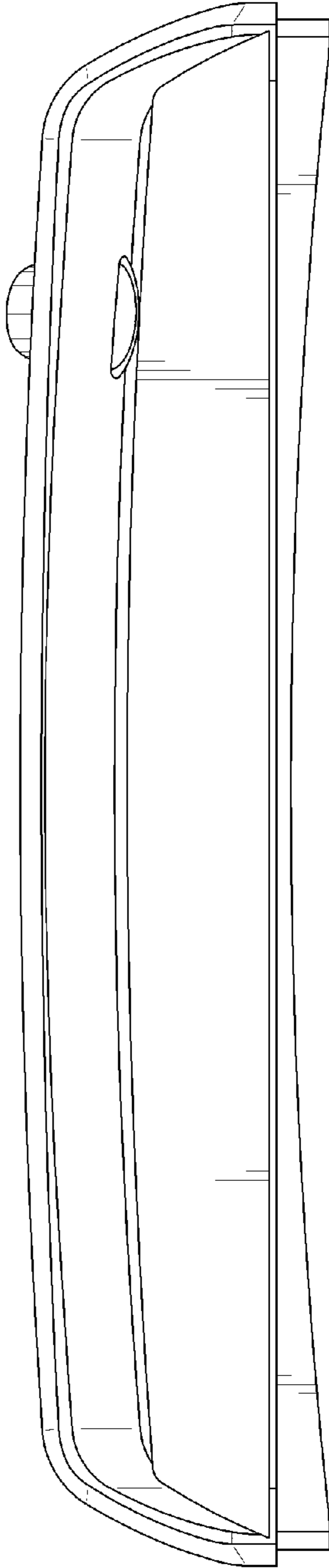


FIG. 8

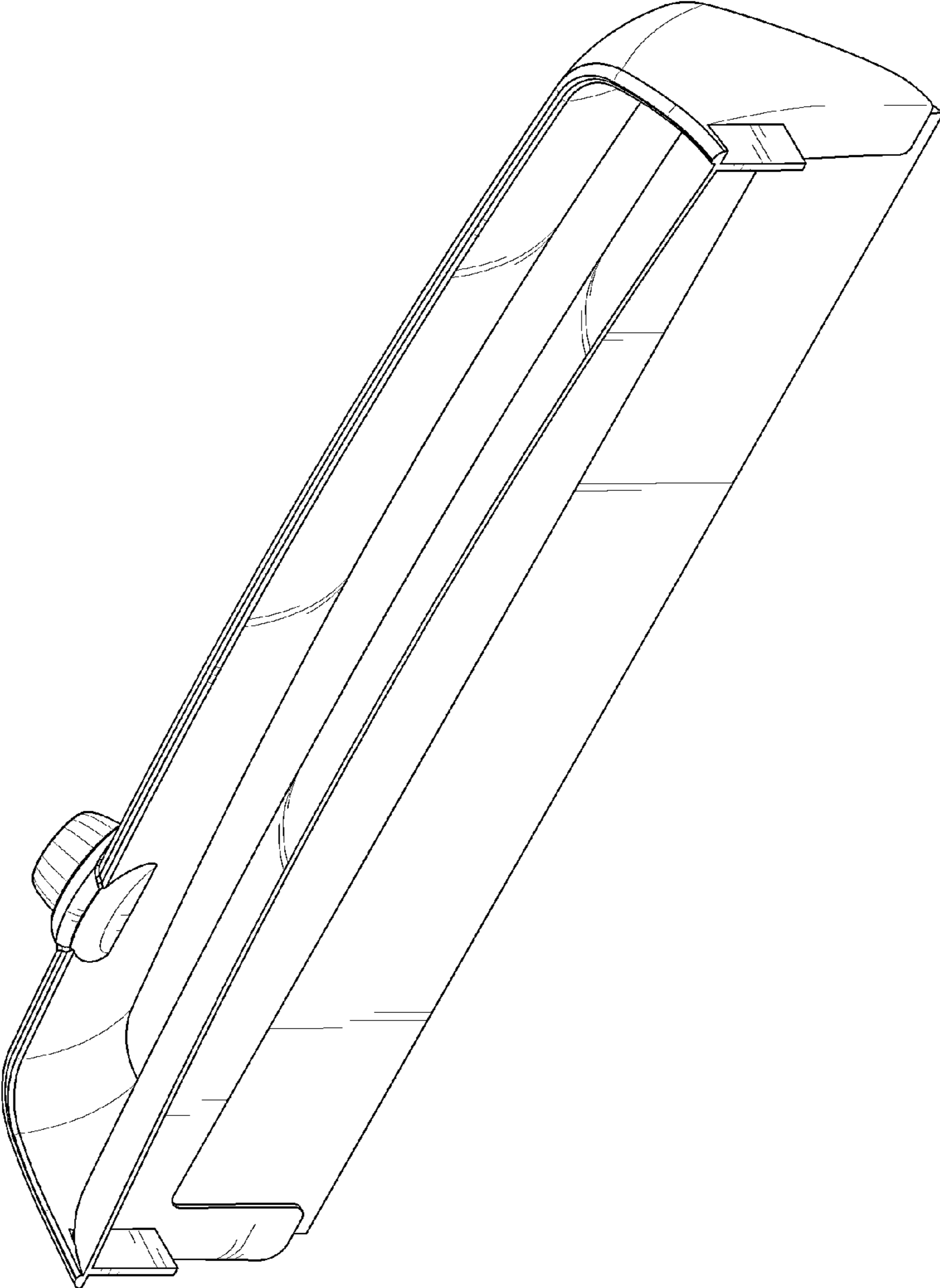


FIG. 9

