



US00D714090S

(12) **United States Design Patent**
Harper

(10) **Patent No.:** **US D714,090 S**

(45) **Date of Patent:** **** Sep. 30, 2014**

(54) **COOKER**

(75) Inventor: **Shawn Andrew Harper**, Victoria (CA)

(73) Assignee: **Sherwood Industries Ltd.**, Saanichton, BC (CA)

(**) Term: **14 Years**

(21) Appl. No.: **29/428,919**

(22) Filed: **Aug. 4, 2012**

(30) **Foreign Application Priority Data**

Feb. 8, 2012 (CA) CA144287

(51) **LOC (10) Cl.** **07-02**

(52) **U.S. Cl.**
USPC **D7/334**

(58) **Field of Classification Search**
USPC D7/332, 334-337, 402-405, 407-409;
126/25 R, 25 A, 25 AA, 25 B, 9 R, 9 B,
126/41 R, 37 R, 40, 50; D6/574
See application file for complete search history.

(56) **References Cited**

U.S. PATENT DOCUMENTS

D24,601 S	8/1895	West
1,481,599 A	1/1924	Gaughan
D99,126 S	3/1936	Huntington
D116,964 S	10/1939	Robinson
D125,446 S	2/1941	Jones, Jr. et al.
D170,943 S	11/1953	Reinecke
D171,639 S	3/1954	Clemens, Jr.
D172,797 S	8/1954	Long
2,723,658 A	11/1955	Schmieding
D179,958 S	3/1957	Vincent
2,787,995 A	4/1957	Alter
2,792,773 A	5/1957	Barker
D180,740 S	8/1957	Lowry

D182,743 S	5/1958	Rodman
D192,625 S	4/1962	Keal
D201,416 S	6/1965	Sazegar
D201,937 S	8/1965	Johnson
3,276,440 A	10/1966	Sazegar
3,330,266 A	7/1967	Stephen
D209,491 S	12/1967	Kostial
D212,268 S	9/1968	Williams
D219,413 S	12/1970	Glaser et al.

(Continued)

FOREIGN PATENT DOCUMENTS

CA	2761680	4/2001
CA	2761680	10/2010
WO	WO-9203688 A1	3/1992
WO	WO-0122854 A1	4/2001

OTHER PUBLICATIONS

<http://tandachefmo.wordpress.com/2011/07/> "To Braai or not to braai—the grilling season". Retrieved from internet. Date of NPL: Jul. 17, 2011.*

Primary Examiner — Ruth McInroy
(74) *Attorney, Agent, or Firm* — Antoinette M. Tease

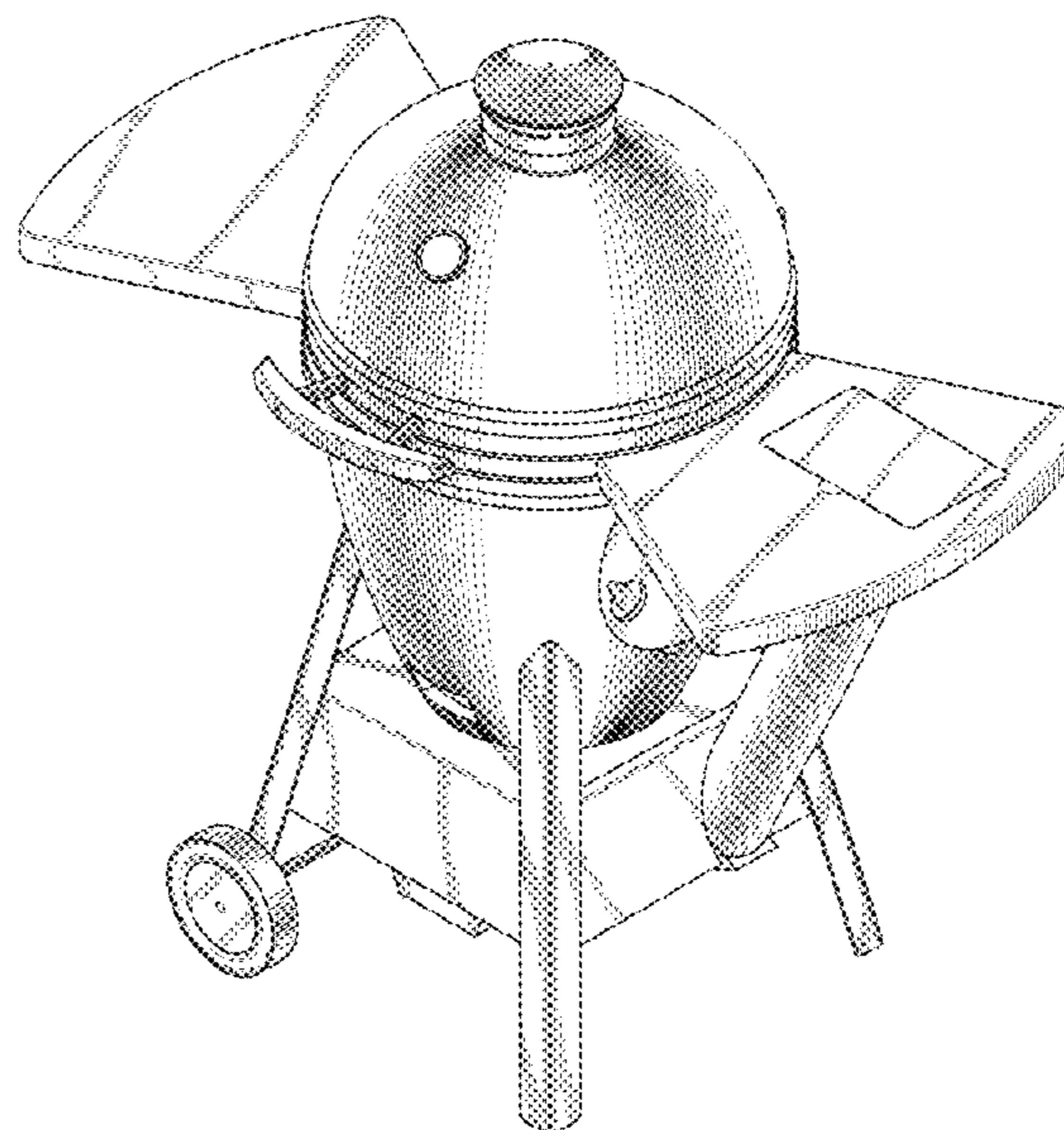
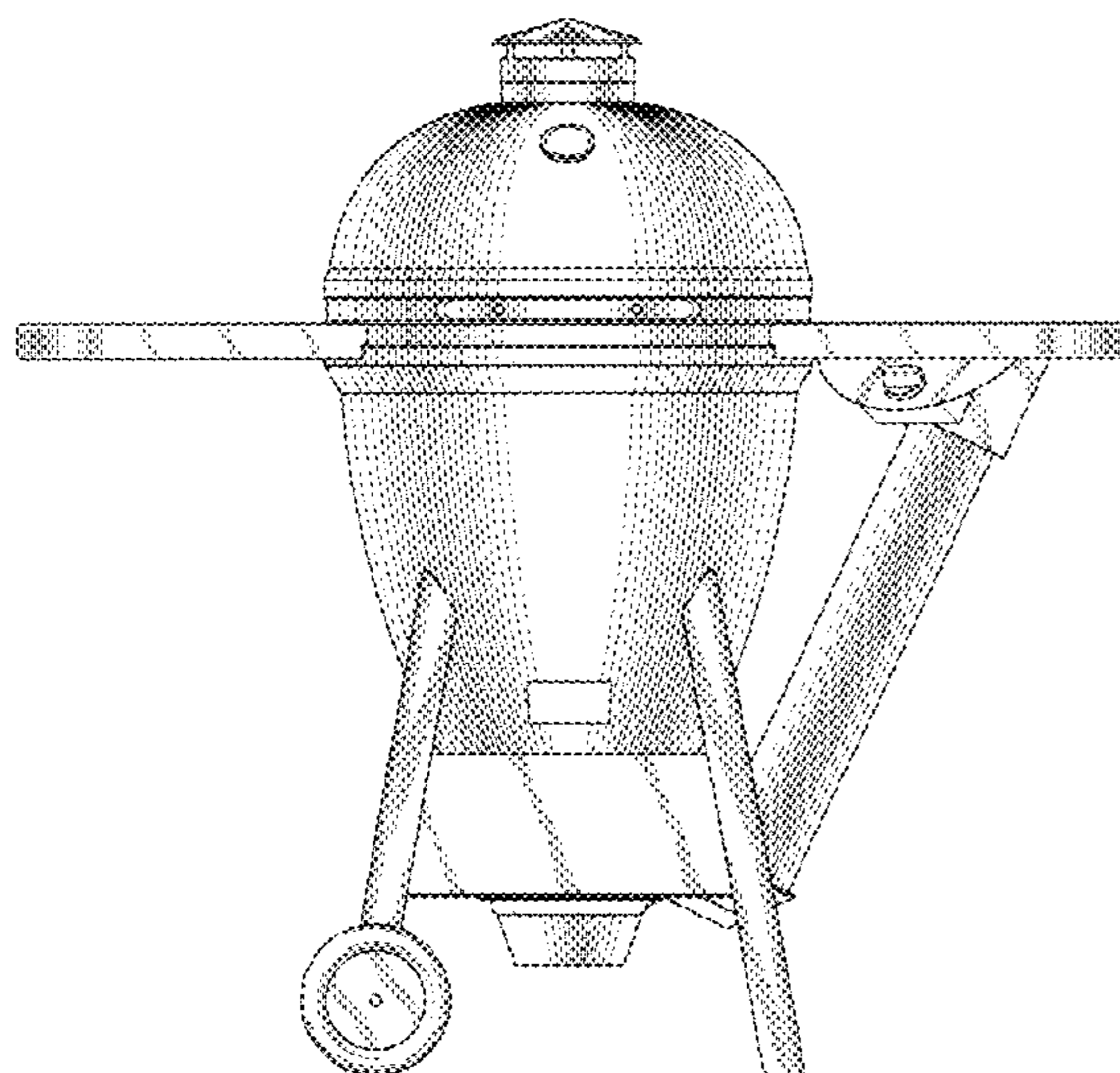
(57) **CLAIM**

The ornamental design for a cooker, as shown and described.

DESCRIPTION

FIG. 1 is a front view of a cooker showing my new design; FIG. 2 is a rear view thereof; FIG. 3 is a top plan view thereof; FIG. 4 is a left side view thereof; FIG. 5 is a right side view thereof; and FIG. 6 is a top, front and right side isometric view thereof; and, FIG. 7 is a top, front and right side isometric view thereof with the lids in an open position.

1 Claim, 7 Drawing Sheets



(56)

References Cited

U.S. PATENT DOCUMENTS

D219,492 S	12/1970	McClaren	
D219,693 S	1/1971	Hahn	
D222,311 S	10/1971	Wilkinson et al.	
3,611,915 A	10/1971	Glaser et al.	
D223,042 S	2/1972	Wilkinson et al.	
D236,247 S	8/1975	Michel	
D237,578 S	11/1975	Thomas et al.	
3,959,620 A	5/1976	Stephen, Jr.	
D243,740 S	3/1977	Small	
D244,249 S	5/1977	Boswell et al.	
4,628,901 A	12/1986	Poulos	
D295,135 S	4/1988	Ogden	
4,924,845 A	5/1990	Johnson et al.	
5,036,832 A	8/1991	Schlosser et al.	
D322,909 S	1/1992	Parent et al.	
D325,316 S *	4/1992	Parent et al.	D7/334
5,299,553 A	4/1994	Giebel et al.	
5,359,988 A	11/1994	Hait	
5,471,916 A	12/1995	Bird et al.	
5,582,094 A	12/1996	Peterson et al.	
5,865,099 A	2/1999	Waugh	
D410,812 S *	6/1999	Pai	D7/334
D420,243 S *	2/2000	Samaras	D7/332
D424,363 S *	5/2000	Smith	D7/334
D450,525 S *	11/2001	Giebel et al.	D7/334
6,329,004 B1	12/2001	Fernandez	
D456,203 S	4/2002	Peloquin	
D459,142 S *	6/2002	Wu	D7/334
D459,938 S	7/2002	Pai	
D460,658 S *	7/2002	Wu	D7/334
D463,196 S *	9/2002	Hsu	D7/332
D463,949 S *	10/2002	Pai	D7/334
6,463,923 B2 *	10/2002	Carley et al.	126/25 R
D485,116 S *	1/2004	Kwok	D7/334
6,684,876 B2	2/2004	Bossler	
D499,600 S *	12/2004	Bossler	D7/335
6,941,941 B1	9/2005	Hall	
D592,442 S	5/2009	Feng et al.	
D614,435 S *	4/2010	Lin	D7/334
D615,807 S *	5/2010	Creel	D7/358
D615,814 S	5/2010	Creel	
D618,486 S *	6/2010	Bruno et al.	D7/334
7,770,576 B2	8/2010	Polkinghorn et al.	
D642,416 S *	8/2011	Scott et al.	D7/332
D668,096 S *	10/2012	Simms, II	D7/334
D668,097 S *	10/2012	Simms, II	D7/334
D671,362 S *	11/2012	Simms, II	D7/406
D684,416 S *	6/2013	Keiser	D7/334
2003/0019491 A1	1/2003	Bossler	
2009/0308373 A1 *	12/2009	Scott et al.	126/25 R
2010/0095946 A1 *	4/2010	Creel	126/25 R
2010/0258106 A1 *	10/2010	Simms, II	126/25 R
2011/0283990 A1 *	11/2011	Walters et al.	126/25 R
2013/0319258 A1 *	12/2013	Cleveland et al.	99/421 R

* cited by examiner

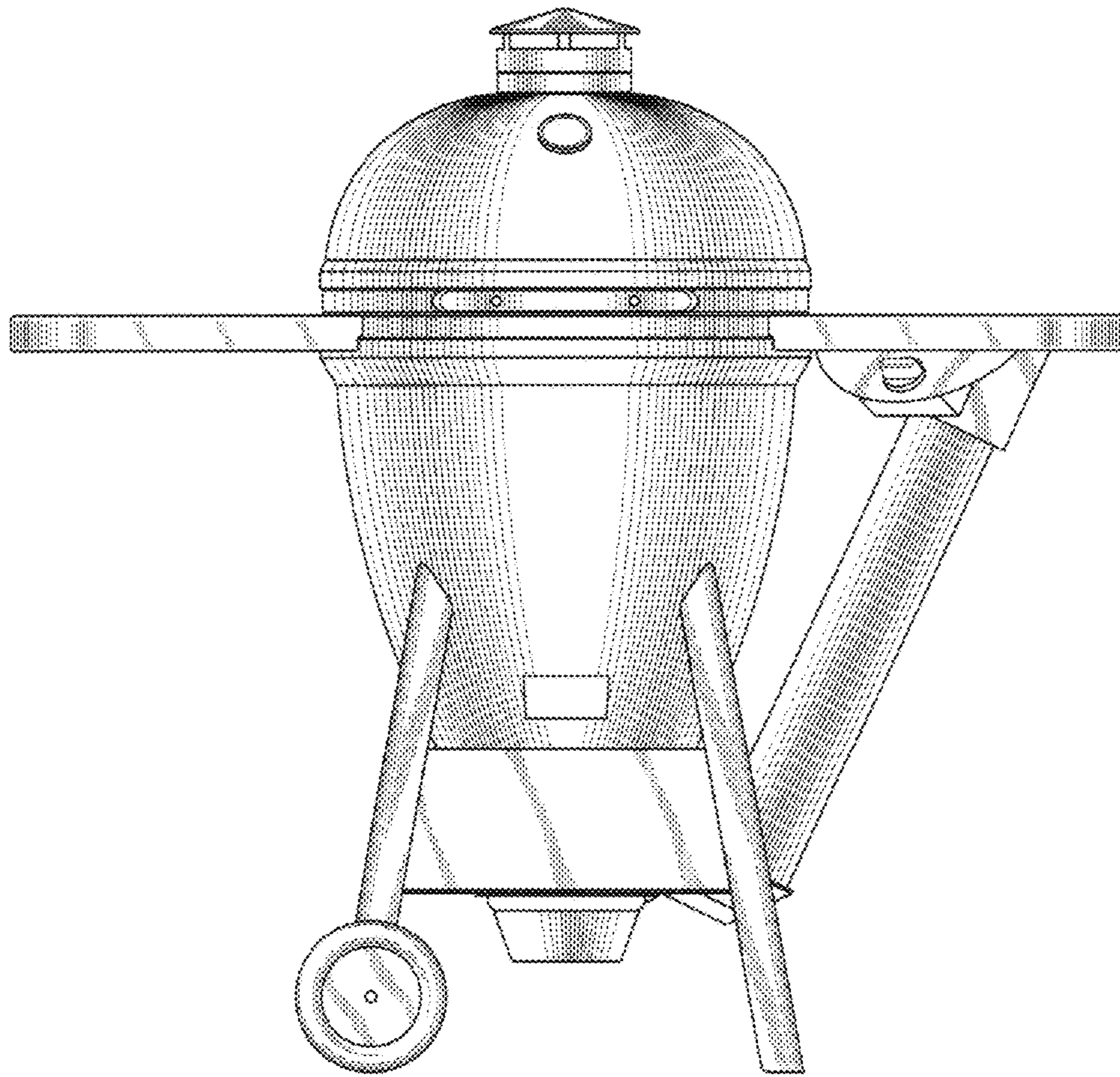


Fig.1

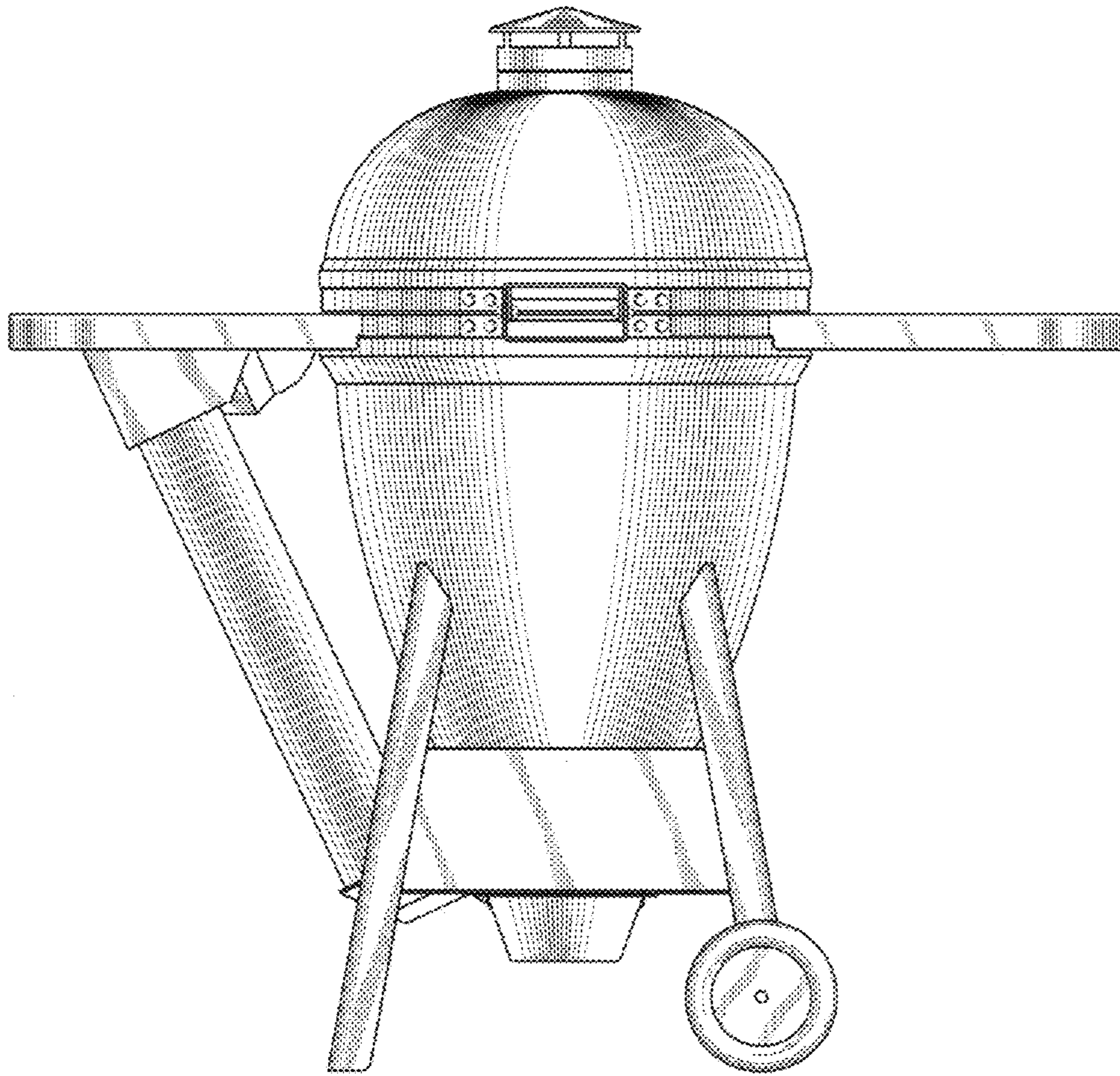


Fig.2

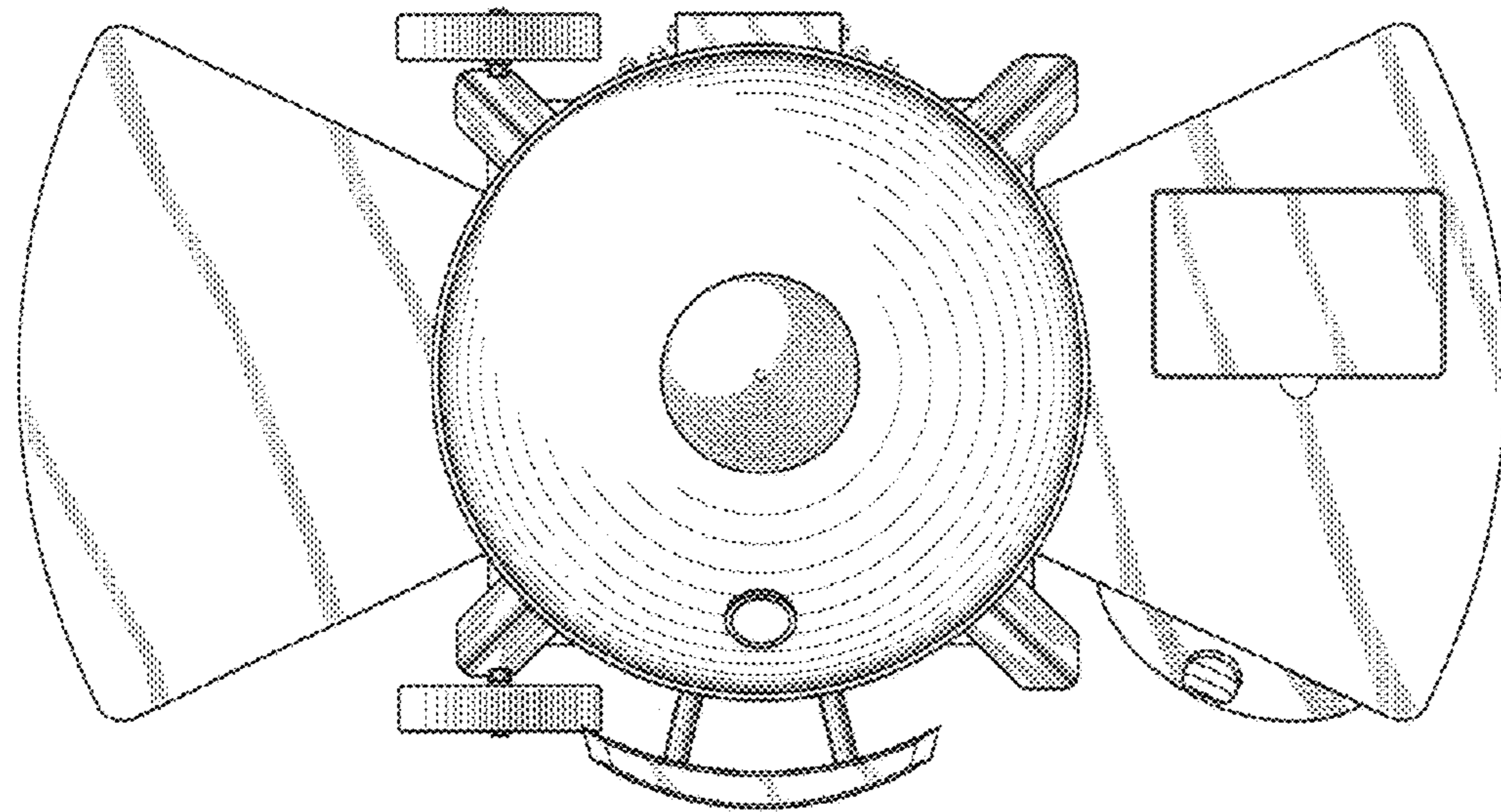


Fig.3

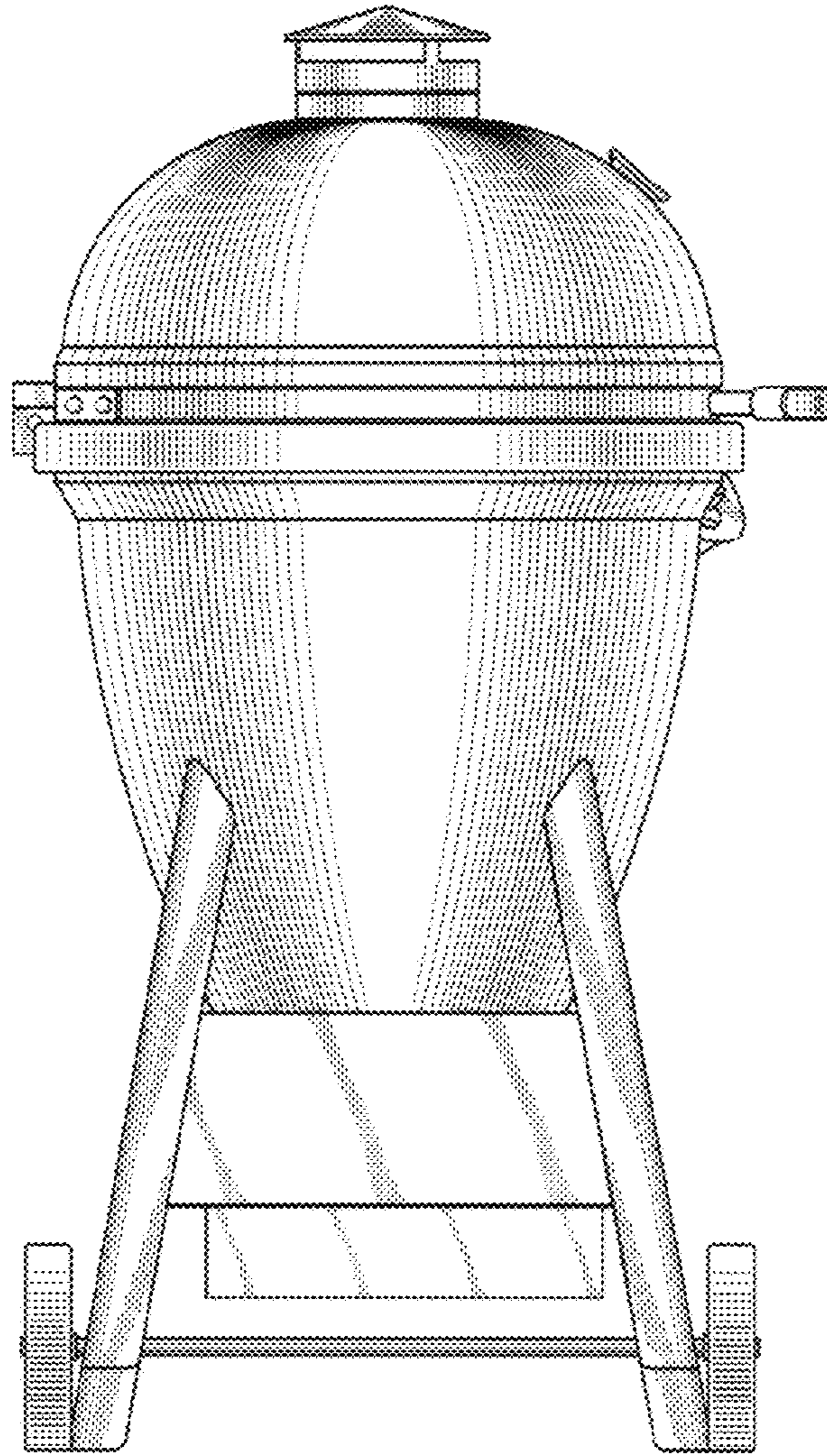


Fig. 4

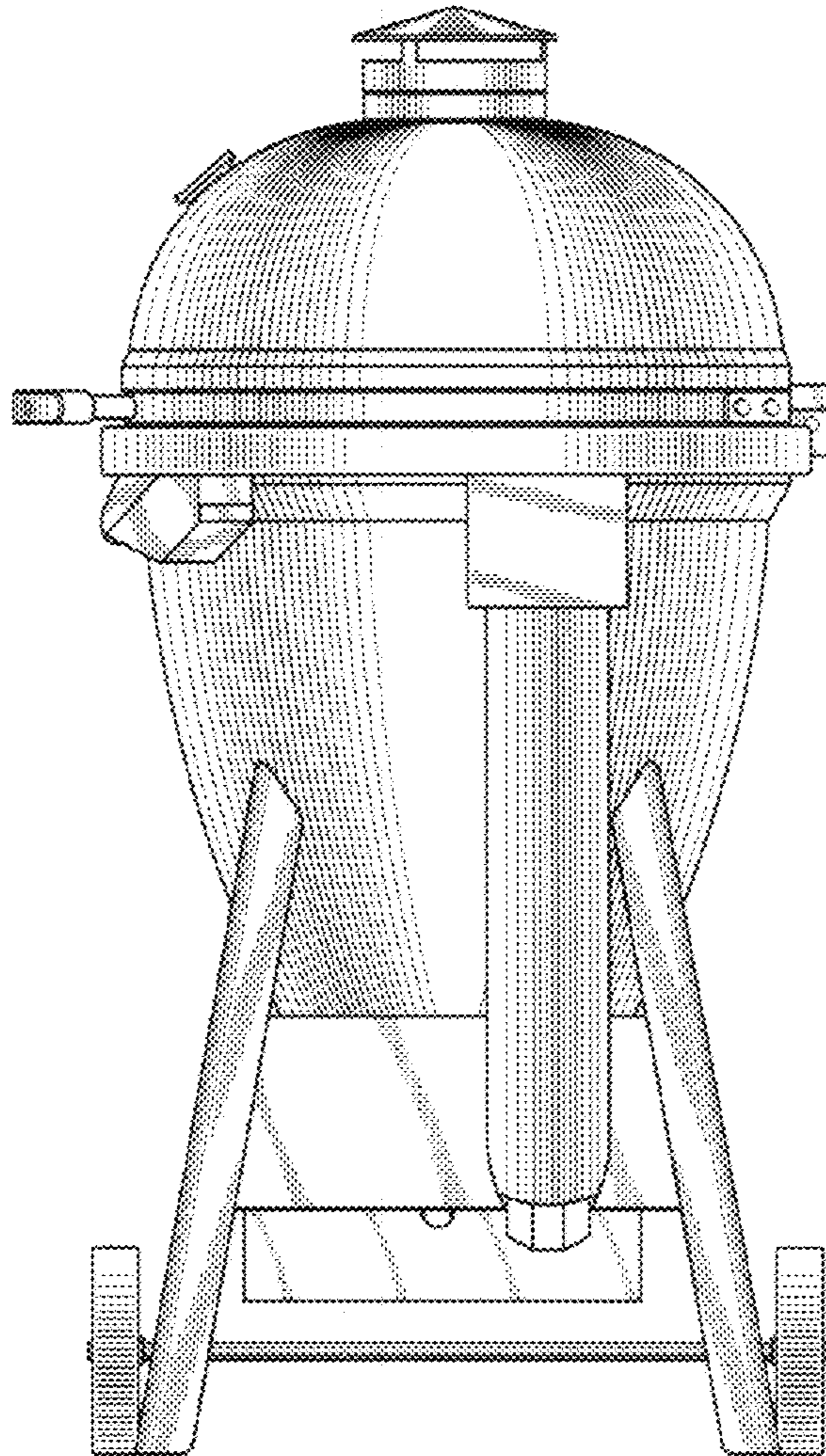


Fig.5

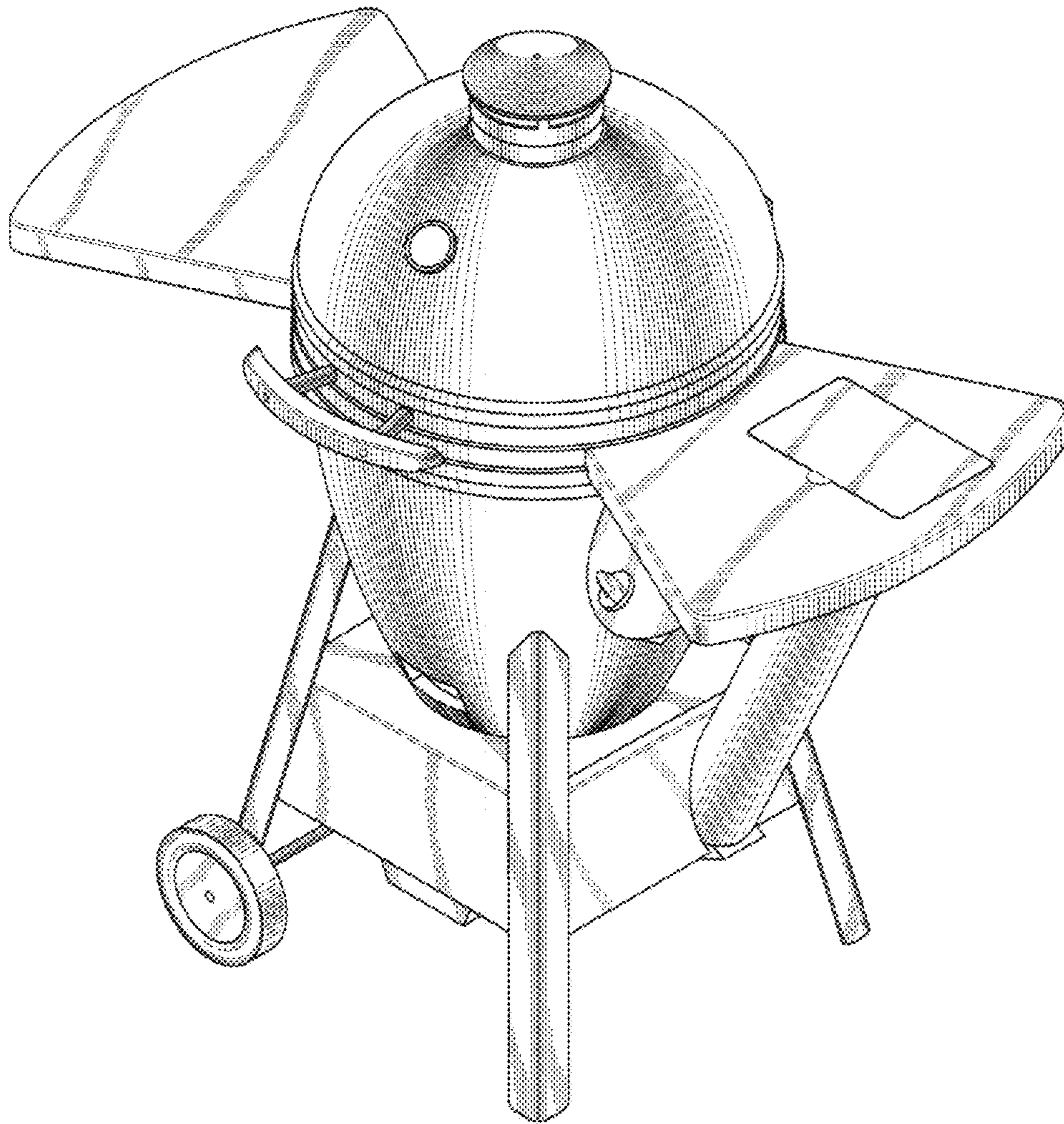


Fig.6

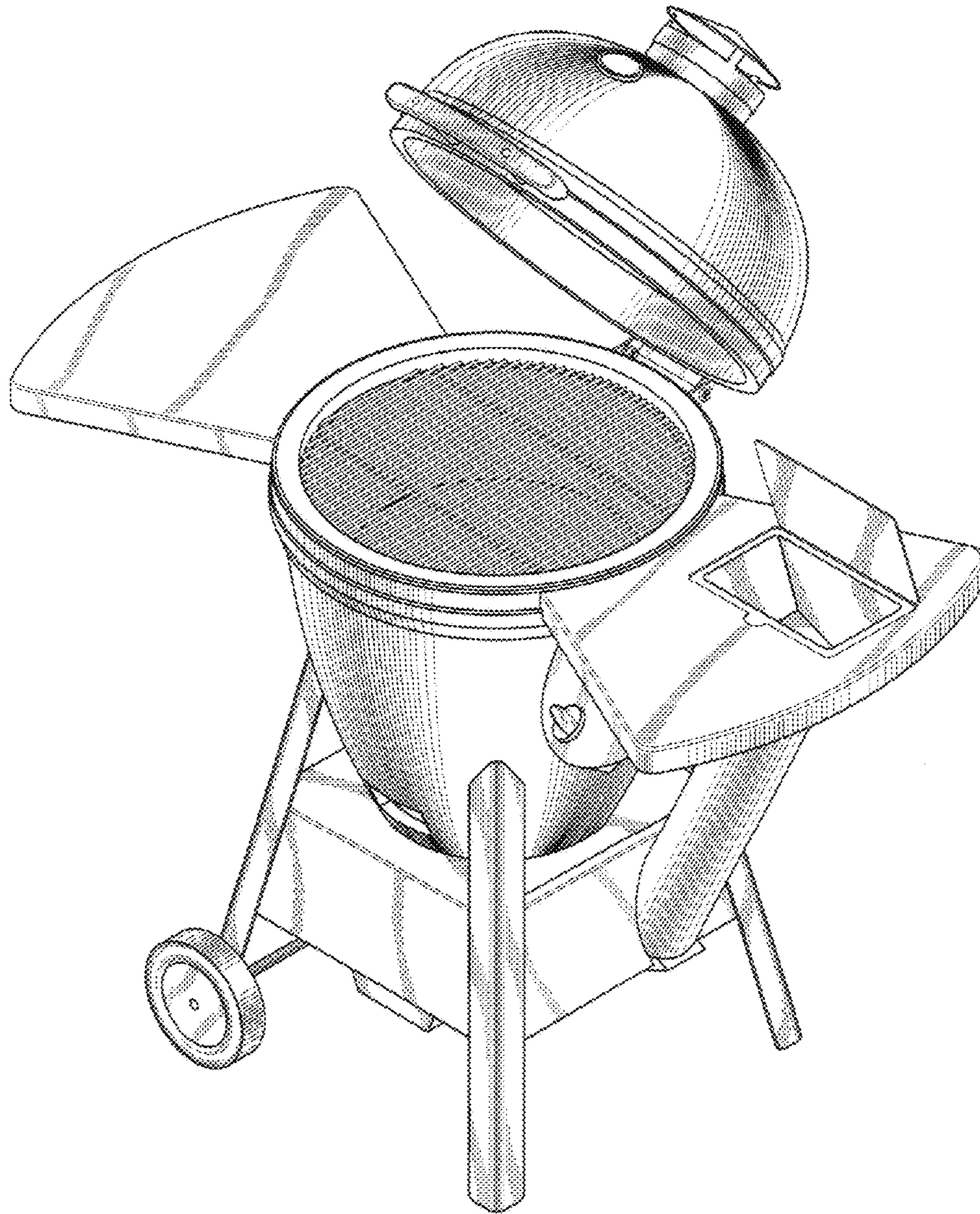


Fig.7