



US00D714089S

(12) **United States Design Patent**
Lovley, II et al.

(10) **Patent No.:** **US D714,089 S**

(45) **Date of Patent:** **** Sep. 30, 2014**

(54) **MULTI-FUNCTIONAL PLATFORM FOOD PREPARATION DEVICE**

(71) Applicant: **Bravo Sports**, Santa Fe Springs, CA (US)

(72) Inventors: **Jack B. Lovley, II**, Lake Forest, CA (US); **Marvin S. Dobert**, Bolton Landing, NY (US); **Mark Groenhuyzen**, Huntington Beach, CA (US); **Joseph C. Klingl**, Los Angeles, CA (US); **Jerry Sharber**, Cypress, CA (US)

(73) Assignee: **Bravo Sports**, Santa Fe Springs, CA (US)

(**) Term: **14 Years**

(21) Appl. No.: **29/461,368**

(22) Filed: **Jul. 22, 2013**

Related U.S. Application Data

(63) Continuation of application No. 29/400,741, filed on Aug. 31, 2011, now Pat. No. Des. 686,442.

(51) **LOC (10) Cl.** **07-02**

(52) **U.S. Cl.**
USPC **D7/332**

(58) **Field of Classification Search**

USPC D7/332, 334-337, 402-406, 408-409, D7/362-363, 365, 367, 354-355, 359; 126/27, 33, 44, 25 R, 37 R, 41 R, 9 R, 38, 126/40, 50, 39 E, 39 G, 39 H, 39 J, 39 N, 39 K, 126/28 M, 28 R, 80, 243, 212, 285 R, 287, 126/290, 25 A, 244, 293, 160, 152 R, 289; 219/443.1, 52, 538; 99/425, 444-450, 99/481-482, 413, 339-340; 431/247, 207, 431/264

See application file for complete search history.

(56) **References Cited**

U.S. PATENT DOCUMENTS

92,282 A * 7/1869 Cushing 126/99 R
D46,309 S 8/1914 Binswanger

(Continued)

FOREIGN PATENT DOCUMENTS

WO WO 93/14683 A1 8/1993

OTHER PUBLICATIONS

International Search Report mailed Jun. 8, 2012, for PCT Application No. US2012/029259 filed Mar. 15, 2012, entitled Multi-Functional Platform Food Preparation Device, Dobert, et al., inventors, in 3 pages.

Primary Examiner — Ruth McInroy

(74) *Attorney, Agent, or Firm* — Knobbe, Martens, Olson & Bear, LLP

(57) **CLAIM**

The ornamental design for a multi-functional platform food preparation device, as shown and described.

DESCRIPTION

FIG. 1 is a perspective view of a multi-functional platform food preparation device.

FIG. 2 is a front elevational view of the multi-functional platform food preparation device of FIG. 1.

FIG. 3 is a rear elevational view of the multi-functional platform food preparation device of FIG. 1.

FIG. 4 is a right side elevational view of the multi-functional platform food preparation device of FIG. 1.

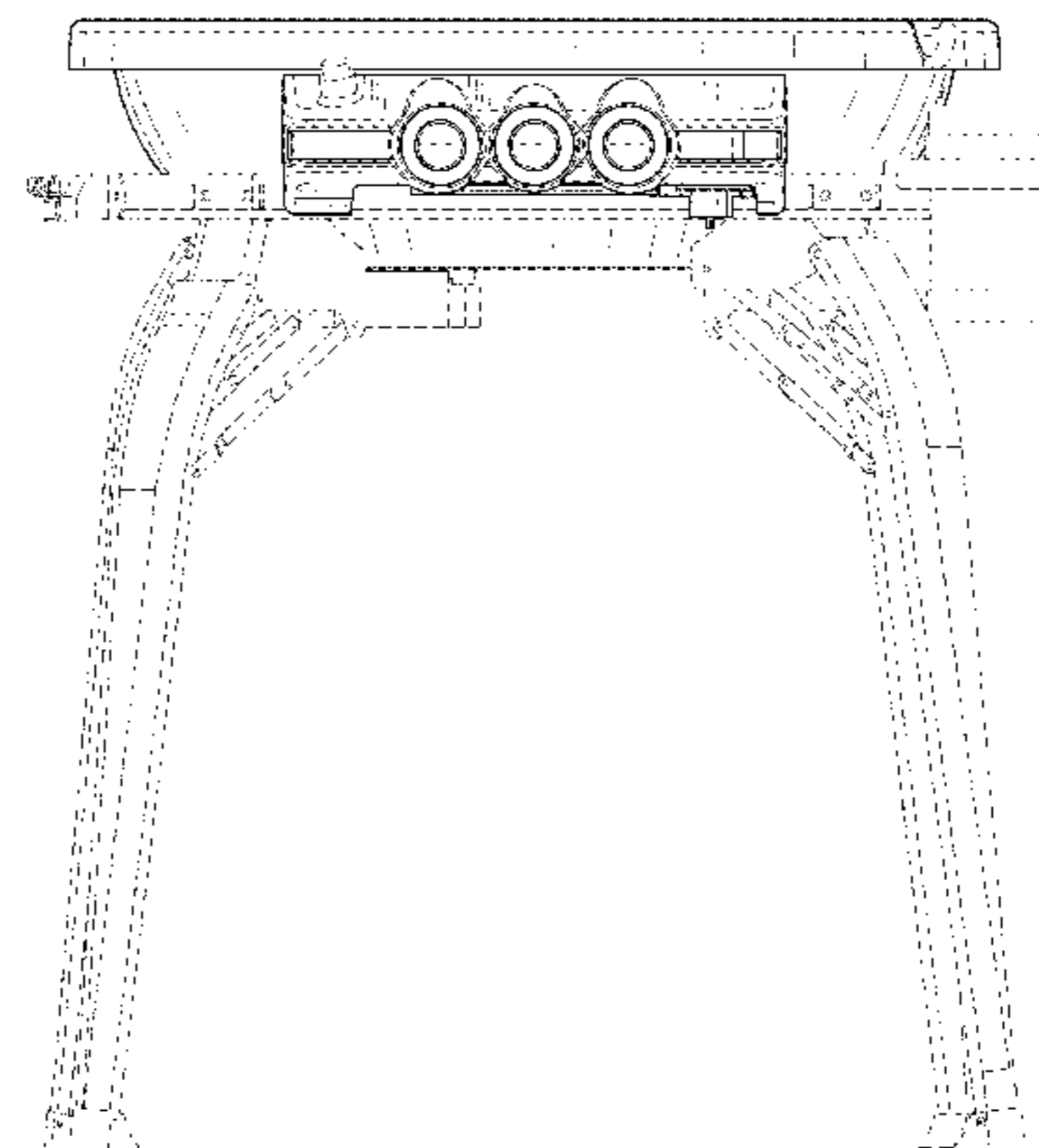
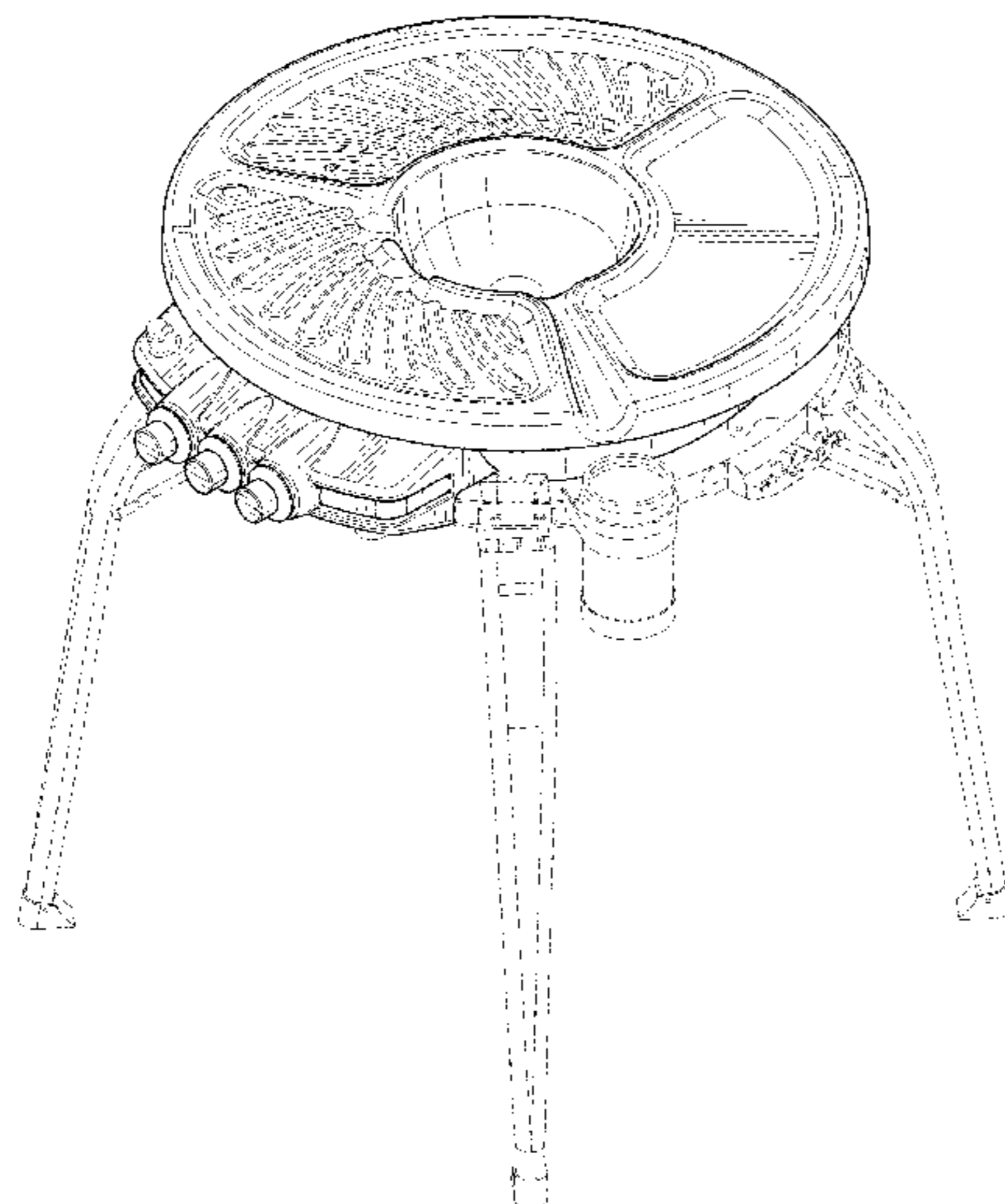
FIG. 5 is a left side elevational view of the multi-functional platform food preparation device of FIG. 1.

FIG. 6 is a top plan view of the multi-functional platform food preparation device of FIG. 1; and,

FIG. 7 is a bottom plan view of the multi-functional platform food preparation device of FIG. 1.

The broken lines in the drawings are for illustrative purposes only and form no part of the claimed design.

1 Claim, 7 Drawing Sheets



(56)

References Cited

U.S. PATENT DOCUMENTS

1,319,878	A	10/1919	Lewis				
1,505,675	A	8/1924	Stirn				
1,707,532	A	4/1929	Moon				
1,733,450	A *	10/1929	Detwiler	99/340			
2,419,674	A	4/1947	Caplan				
3,330,204	A	7/1967	Little				
3,615,146	A	10/1971	Reaben				
3,763,846	A	10/1973	Schantz				
3,824,984	A *	7/1974	Swanson et al.	126/25 R			
3,837,328	A	9/1974	Schaffer				
4,445,428	A	5/1984	Buford				
4,704,955	A *	11/1987	Archibald	99/339			
4,905,664	A	3/1990	Dunham				
4,930,491	A	6/1990	Purello				
D326,029	S	5/1992	Lok				
5,179,932	A	1/1993	Decarlo				
5,323,693	A	6/1994	Collard et al.				
5,363,748	A	11/1994	Boehm et al.				
5,490,452	A	2/1996	Schlosser				
5,531,154	A *	7/1996	Perez, III	99/340			
5,638,808	A	6/1997	Home				
D382,765	S *	8/1997	Kellermann	D7/332			
D386,936	S *	12/1997	Stone et al.	D7/332			
5,782,165	A	7/1998	Glenboski				
5,839,361	A	11/1998	Richter				
D403,553	S *	1/1999	Graur	D7/335			
5,967,022	A	10/1999	Moschella				
5,988,045	A	11/1999	Housley				
D431,411	S *	10/2000	Chang	D7/362			
D432,855	S *	10/2000	Cho et al.	D7/363			
6,131,560	A	10/2000	Healy				
6,188,046	B1	2/2001	Barrow				
D440,112	S *	4/2001	Su	D7/367			
D445,296	S *	7/2001	Kenyon et al.	D7/332			
6,257,125	B1 *	7/2001	Pate	99/339			
6,259,068	B1	7/2001	Barrow				
6,267,047	B1	7/2001	Mosher, II et al.				
6,373,031	B1	4/2002	Barrow				
6,389,961	B1 *	5/2002	Wu	99/339			
6,603,099	B2	8/2003	Gouthiere				
6,644,175	B2	11/2003	Stephen et al.				
6,718,966	B1	4/2004	Barbour				
6,818,868	B2	11/2004	Grohs				
6,838,644	B1 *	1/2005	Chung-Ting	219/393			
6,844,529	B2	1/2005	Grohs				
6,990,893	B2	1/2006	Cheng				
7,053,337	B2	5/2006	Ragan et al.				
7,163,011	B2	1/2007	Pestru				
7,342,202	B2	3/2008	Bachinski et al.				
D570,639	S *	6/2008	Nardone et al.	D7/332			
D583,613	S *	12/2008	Proffitt et al.	D7/332			
7,766,004	B1 *	8/2010	Bourgeois	126/25 R			
D638,654	S *	5/2011	Plott	D7/332			
8,030,598	B2	10/2011	Bachinski et al.				
8,316,837	B2	11/2012	Malumyan				
2001/0025843	A1	10/2001	McClellan				
2001/0035099	A1	11/2001	Mosher, II et al.				
2002/0134250	A1	9/2002	Mosher, II et al.				
2003/0197001	A1	10/2003	Grohs				
2004/0025710	A1	2/2004	Conley				
2005/0189341	A1	9/2005	Lin et al.				
2006/0090743	A1	5/2006	Hsu				
2006/0180139	A1 *	8/2006	Proffitt et al.	126/25 R			
2007/0017500	A1 *	1/2007	Chen	126/25 R			
2008/0116193	A1	5/2008	Lam				
2008/0245357	A1	10/2008	Meether et al.				
2010/0024661	A1 *	2/2010	Wu	99/339			
2010/0175563	A1 *	7/2010	Bizal et al.	99/413			
2010/0180776	A1	7/2010	Lin				
2012/0260903	A1 *	10/2012	Buerkle	126/25 R			

* cited by examiner

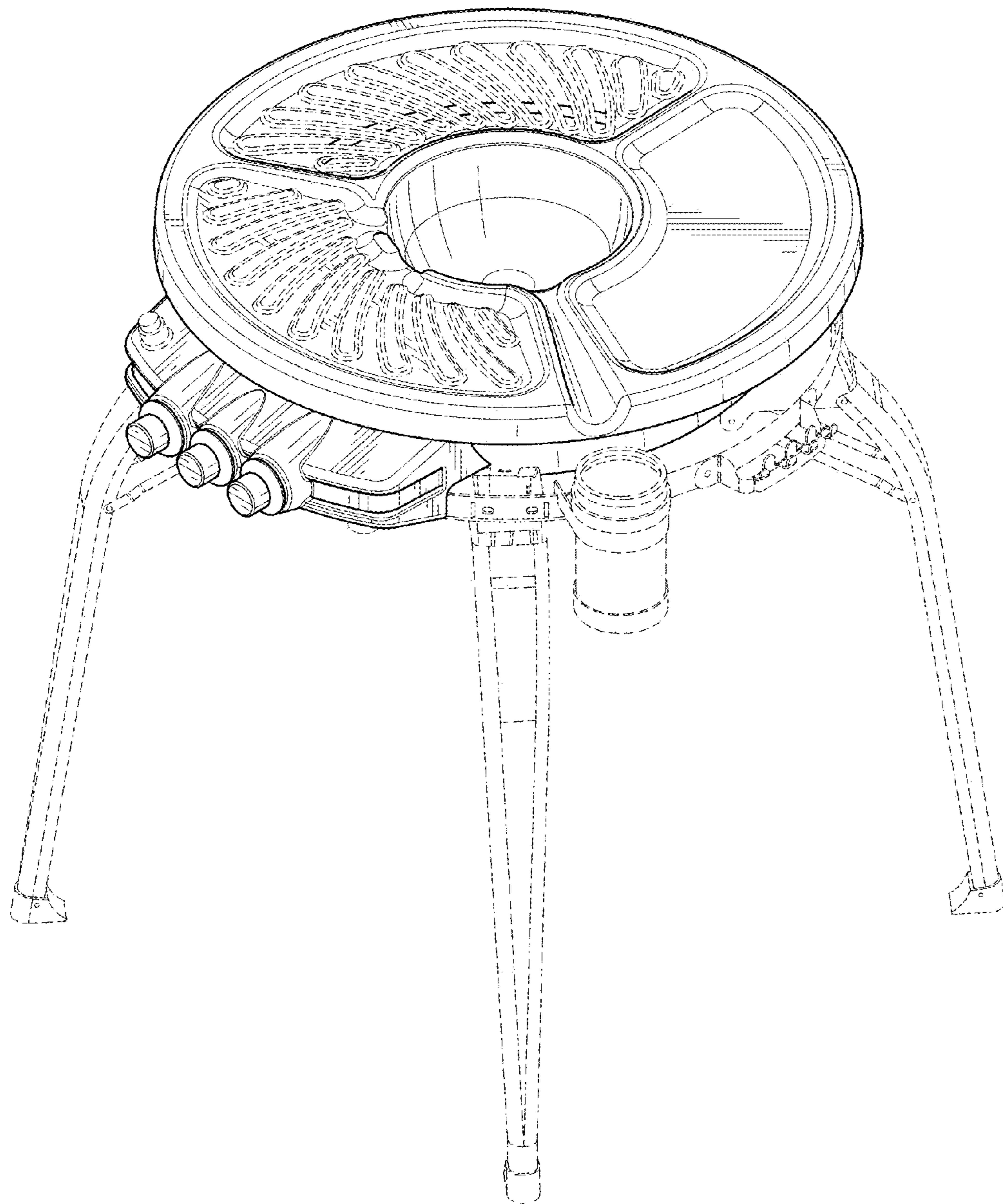


FIG. 1

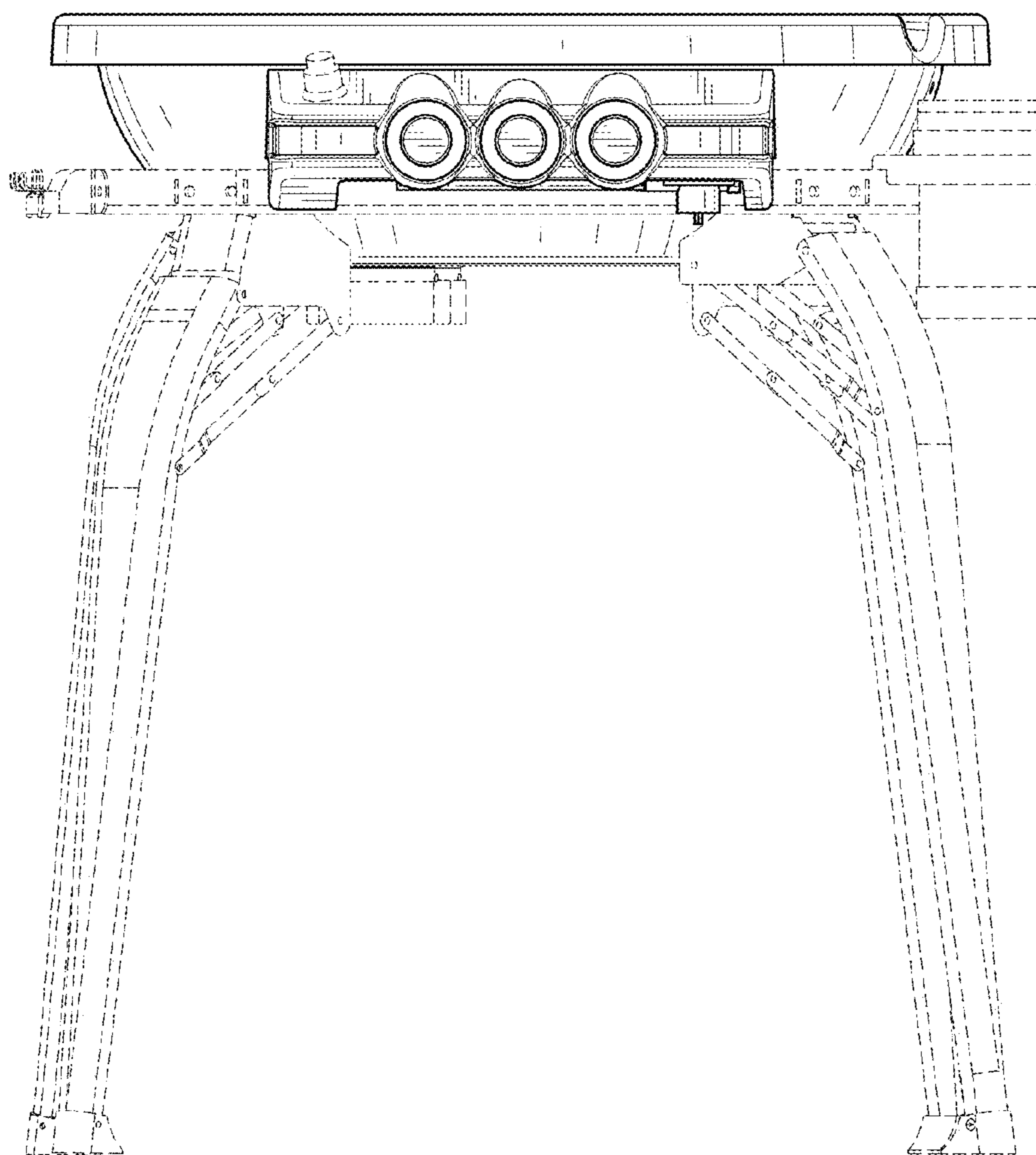


FIG. 2

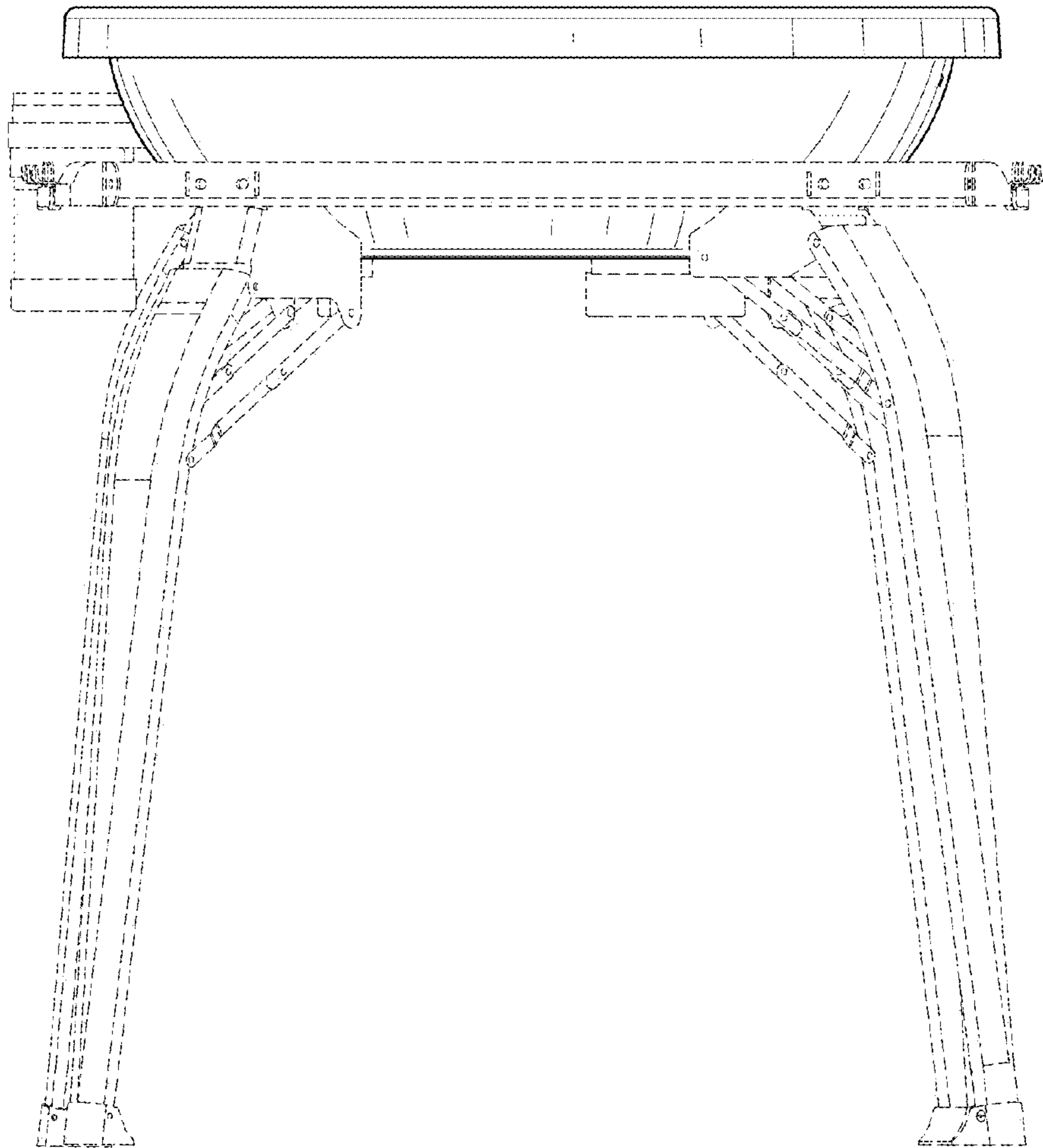


FIG. 3

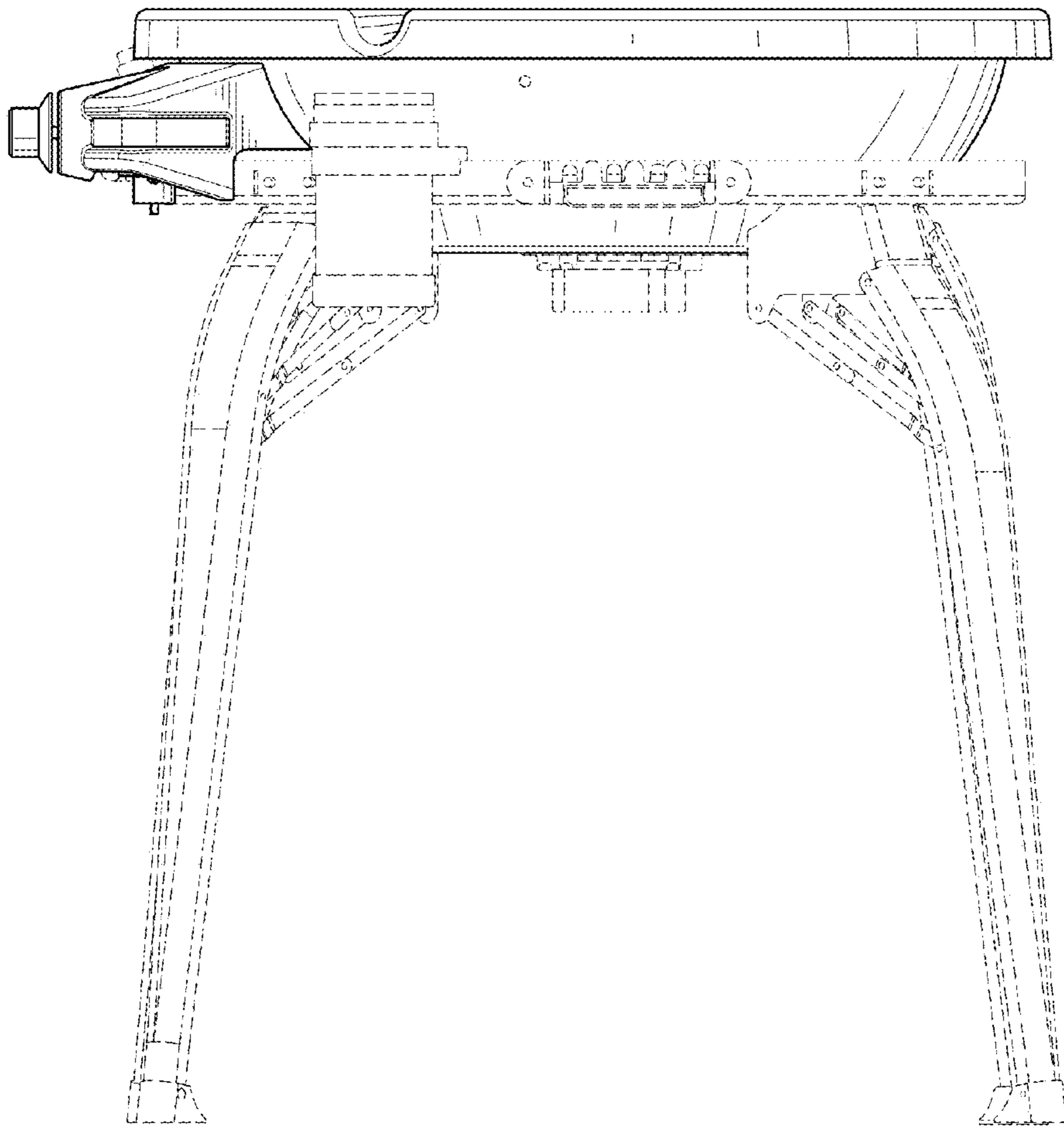


FIG. 4

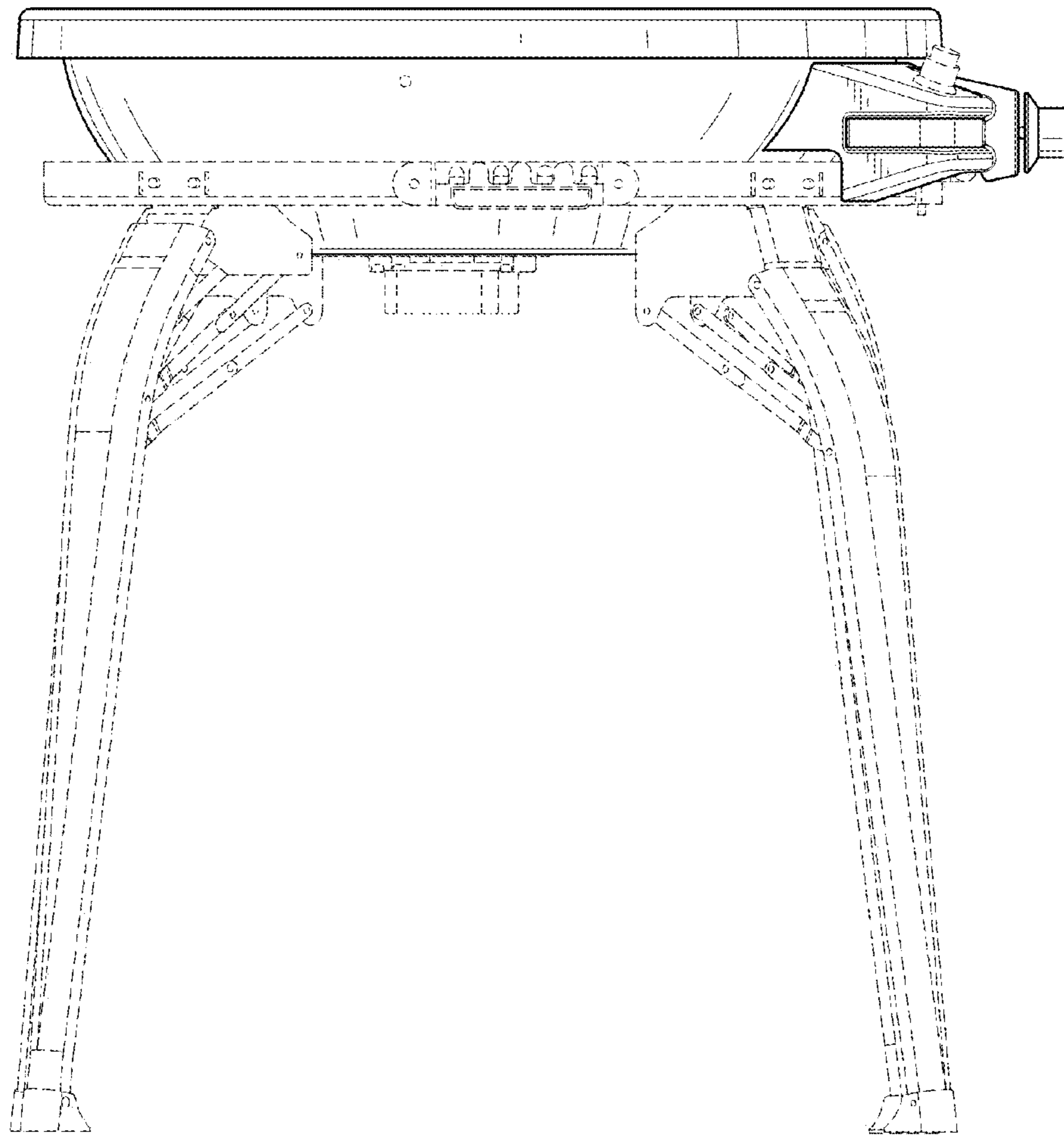


FIG. 5

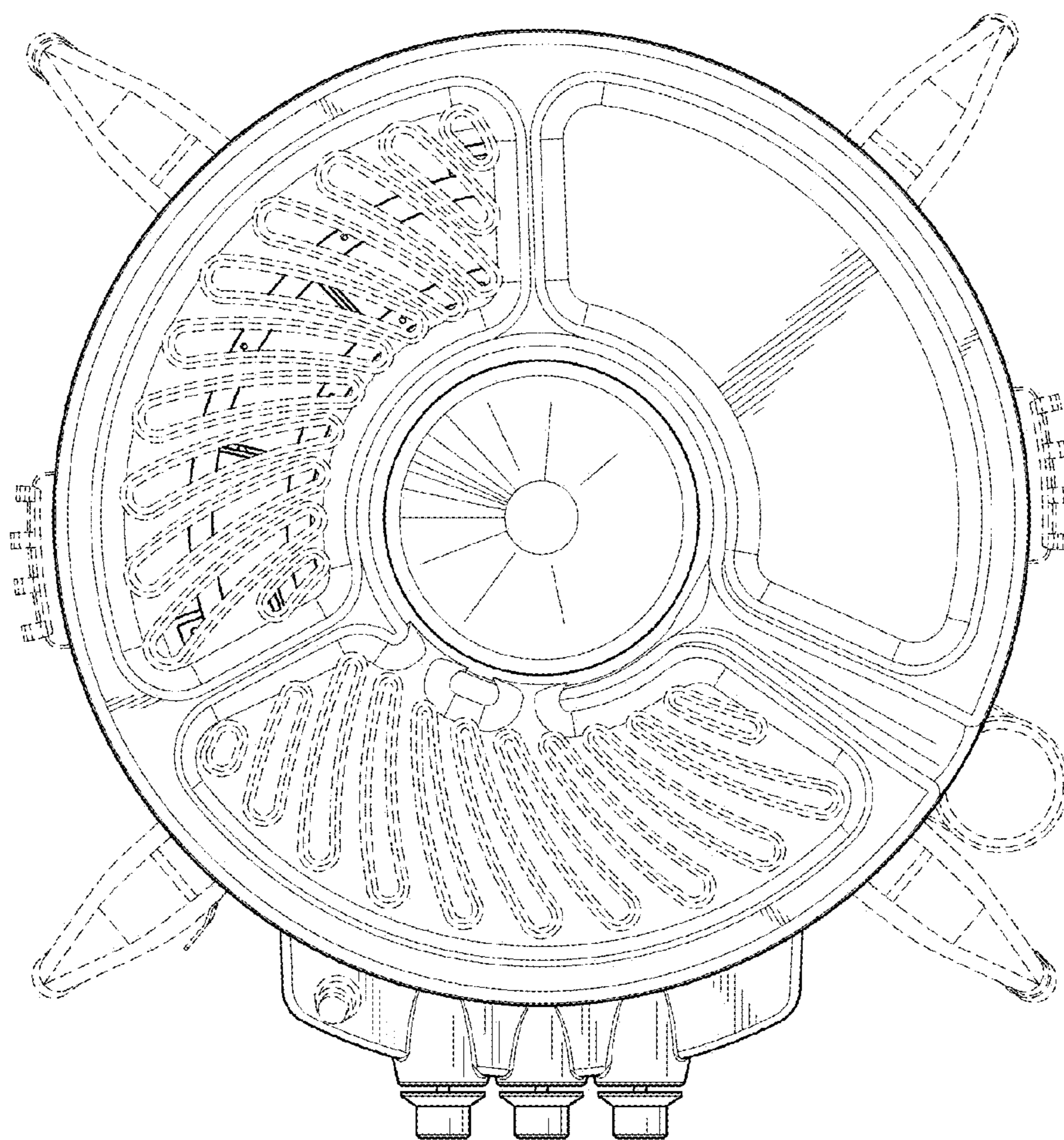


FIG. 6

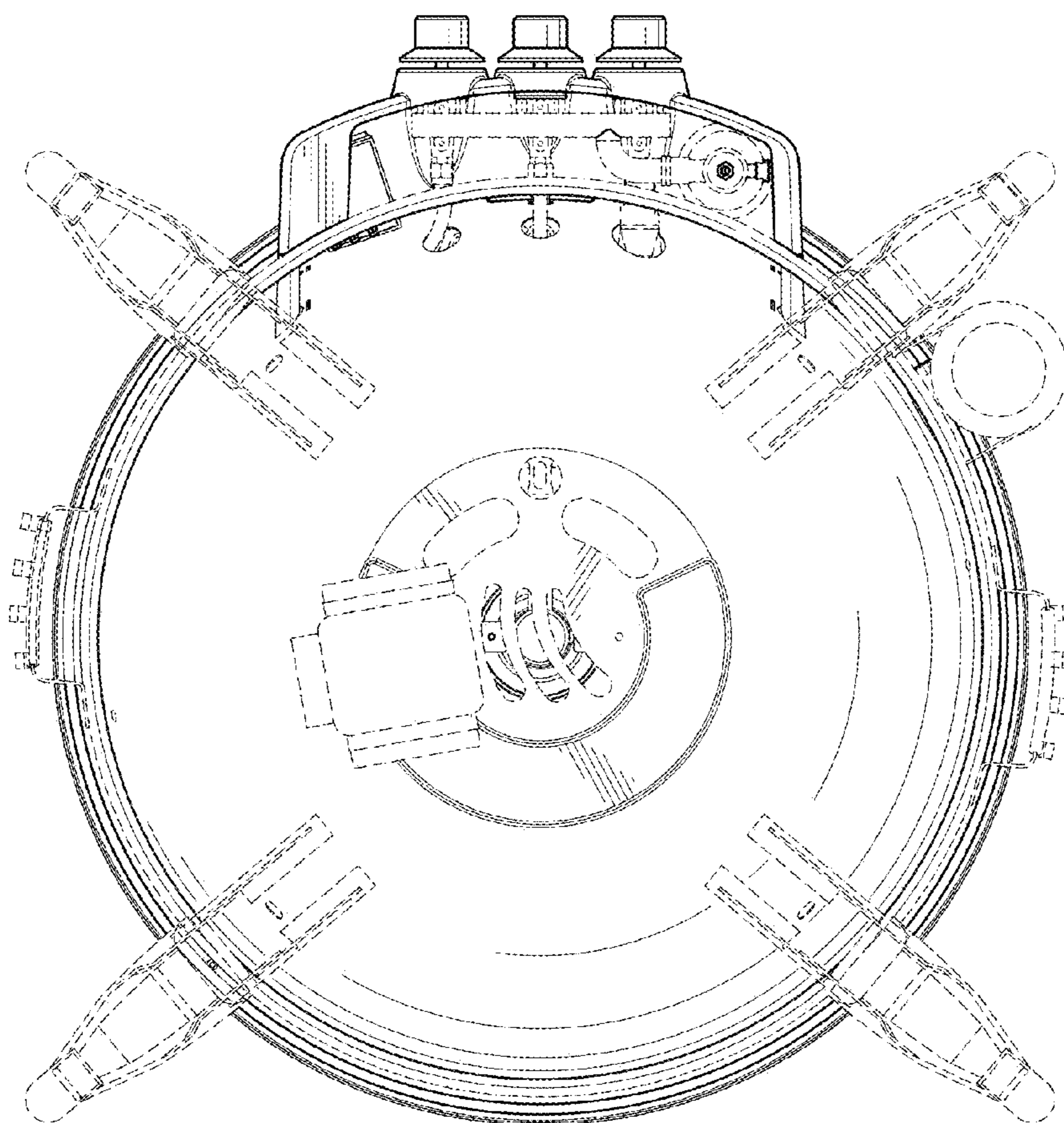


FIG. 7