



US00D714085S

(12) **United States Design Patent**
Gard

(10) **Patent No.:** **US D714,085 S**

(45) **Date of Patent:** **** Sep. 30, 2014**

(54) **CHAIR SHELL**

Primary Examiner — Kelley Donnelly

(75) Inventor: **Jeff Alan Gard**, San Francisco, CA (US)

(57) **CLAIM**

The ornamental design for a chair shell, as shown and described.

(73) Assignee: **Jeff Alan Gard**, San Francisco, CA (US)

(**) Term: **14 Years**

DESCRIPTION

(21) Appl. No.: **29/395,031**

FIG. 1 is a perspective view of my first embodiment of a chair shell showing my new design.

(22) Filed: **Nov. 15, 2011**

FIG. 2 is a top plan view thereof;

(51) **LOC (10) Cl.** **06-06**

FIG. 3 is a side view thereof, the opposite side being a mirror image;

(52) **U.S. Cl.**

USPC **D6/716.4**

FIG. 4 is a front view thereof;

(58) **Field of Classification Search**

USPC D6/364–365, 373, 375, 334, 379–380,
D6/500–502, 702, 703.1, 716, 716.4;
297/301.1, 337–33, 445, 451, 440.14,
297/440.2, 452.29

FIG. 5 is a perspective view of a second embodiment of a chair shell;

See application file for complete search history.

FIG. 6 is a top plan view thereof;

FIG. 7 is a side view thereof, the opposite side being a mirror image;

(56) **References Cited**

U.S. PATENT DOCUMENTS

| | | | | |
|--------------|---------|-----------------|-------|--------|
| D192,165 S * | 2/1962 | Brandon | | D6/375 |
| D289,120 S * | 4/1987 | Chadwick et al. | | D6/502 |
| D358,514 S * | 5/1995 | Lovegrove | | D6/500 |
| D425,357 S * | 5/2000 | Waring | | D6/611 |
| D525,446 S * | 7/2006 | Farber | | D6/375 |
| D586,143 S * | 2/2009 | Doberti | | D6/375 |
| D609,037 S * | 2/2010 | Miller et al. | | D6/500 |
| D614,415 S * | 4/2010 | Konno | | D6/366 |
| D637,827 S * | 5/2011 | Horn et al. | | D6/344 |
| D648,946 S * | 11/2011 | Wilson et al. | | D6/366 |
| D649,802 S * | 12/2011 | Breinholt | | D6/375 |
| D651,817 S * | 1/2012 | Horn et al. | | D6/344 |
| D659,445 S * | 5/2012 | Pheasant | | D6/502 |
| D678,690 S * | 3/2013 | Eldoy | | D6/366 |
| D683,559 S * | 6/2013 | Weber et al. | | D6/716 |
| D694,531 S * | 12/2013 | Sofield et al. | | D6/349 |

FIG. 8 is a front view thereof;

FIG. 9 is a perspective view of a third embodiment of a chair shell;

FIG. 10 is top plan view thereof;

FIG. 11 is a side view thereof;

FIG. 12 is a front view thereof;

FIG. 13 is a perspective view of a fourth embodiment of a chair shell;

FIG. 14 is a top plan view thereof;

FIG. 15 is a side view thereof, the opposite side being a mirror image;

FIG. 16 is a front view thereof; and

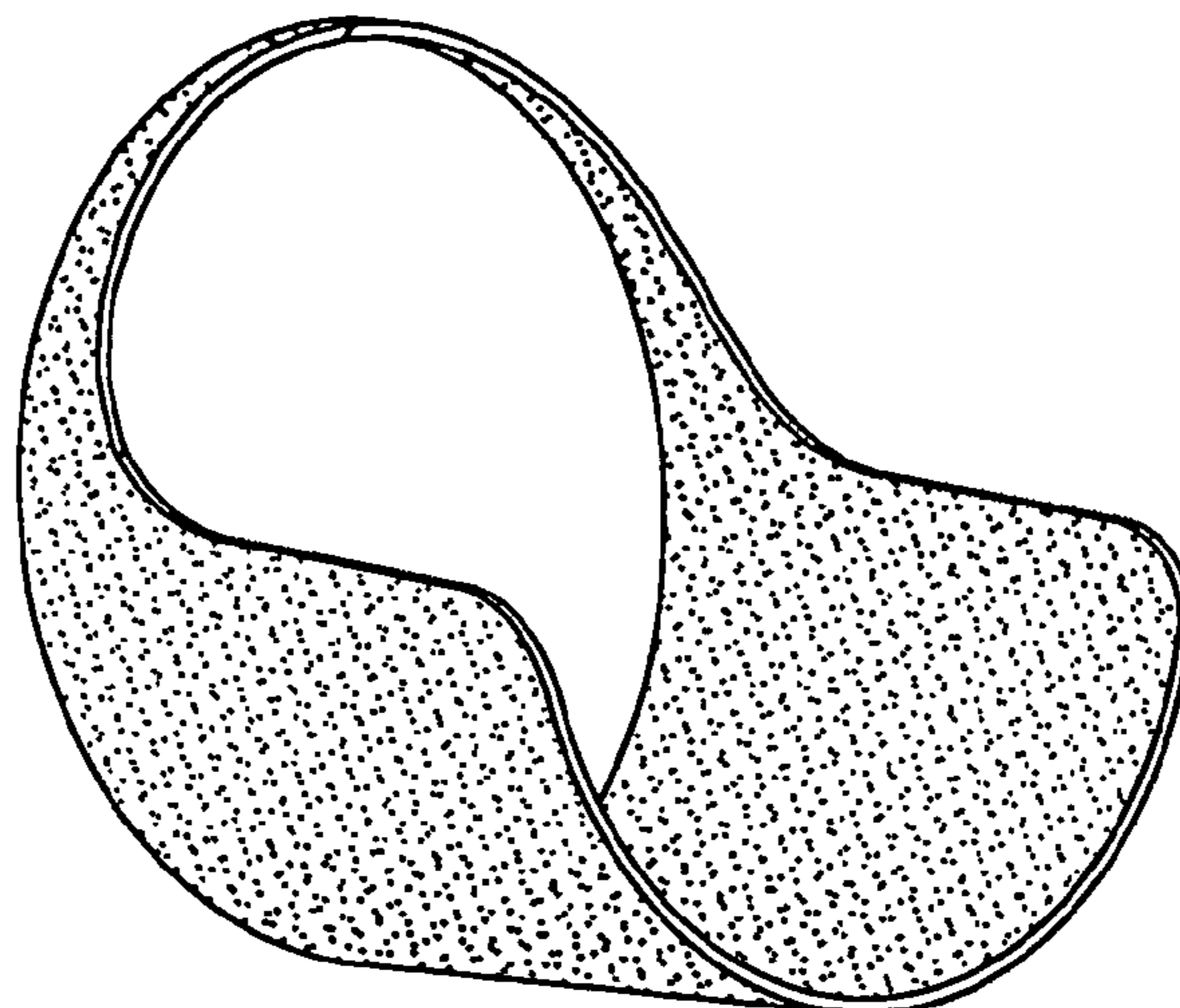
FIG. 17 is a perspective view of FIG. 1 shown with environment; and,

FIG. 18 is an additional perspective view of FIG. 1 shown with environment.

The broken lines showing support legs and cushions are for the purpose of illustrating the environment of the article only and form no part of the claimed design.

* cited by examiner

1 Claim, 5 Drawing Sheets



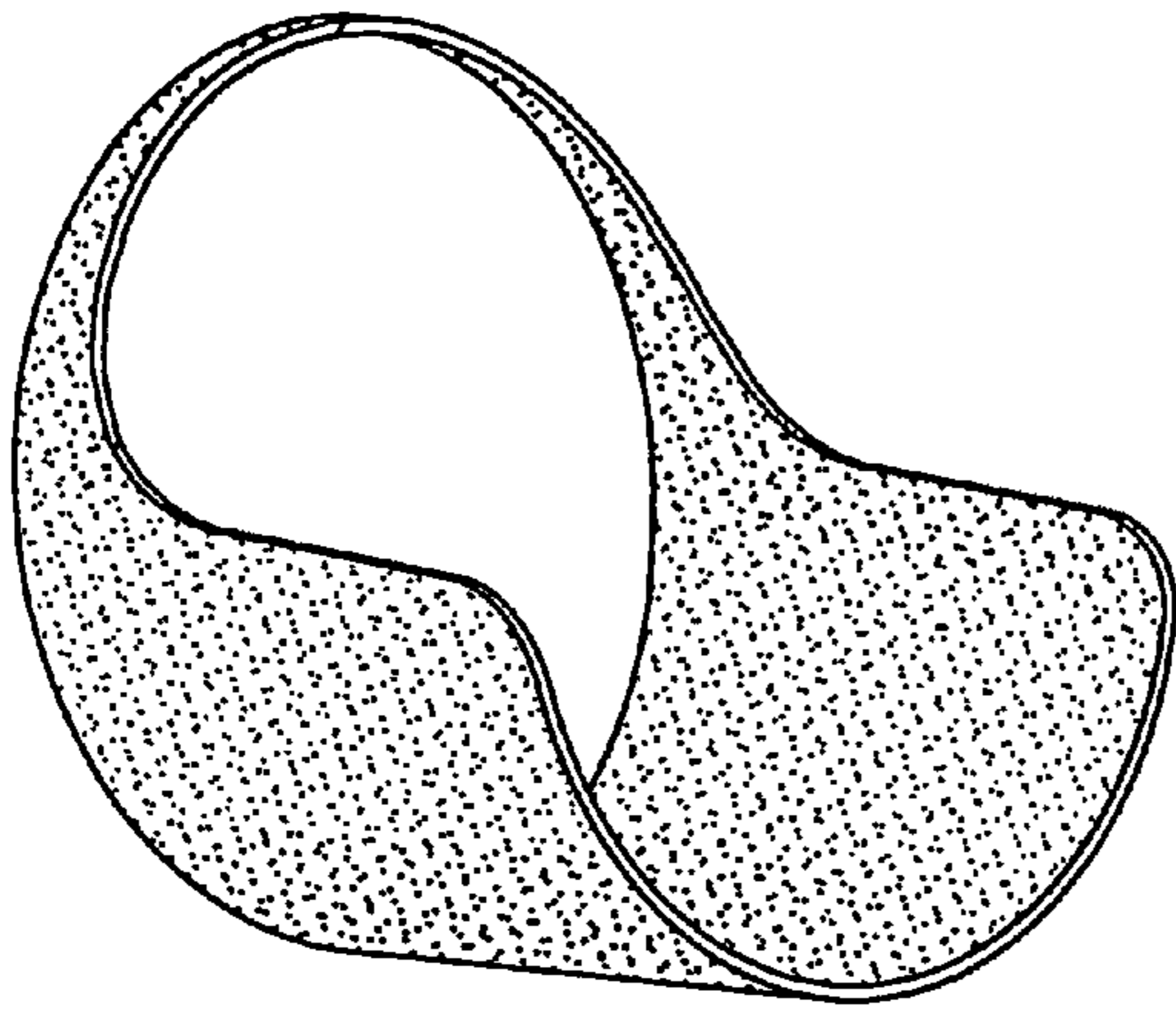


FIGURE 1

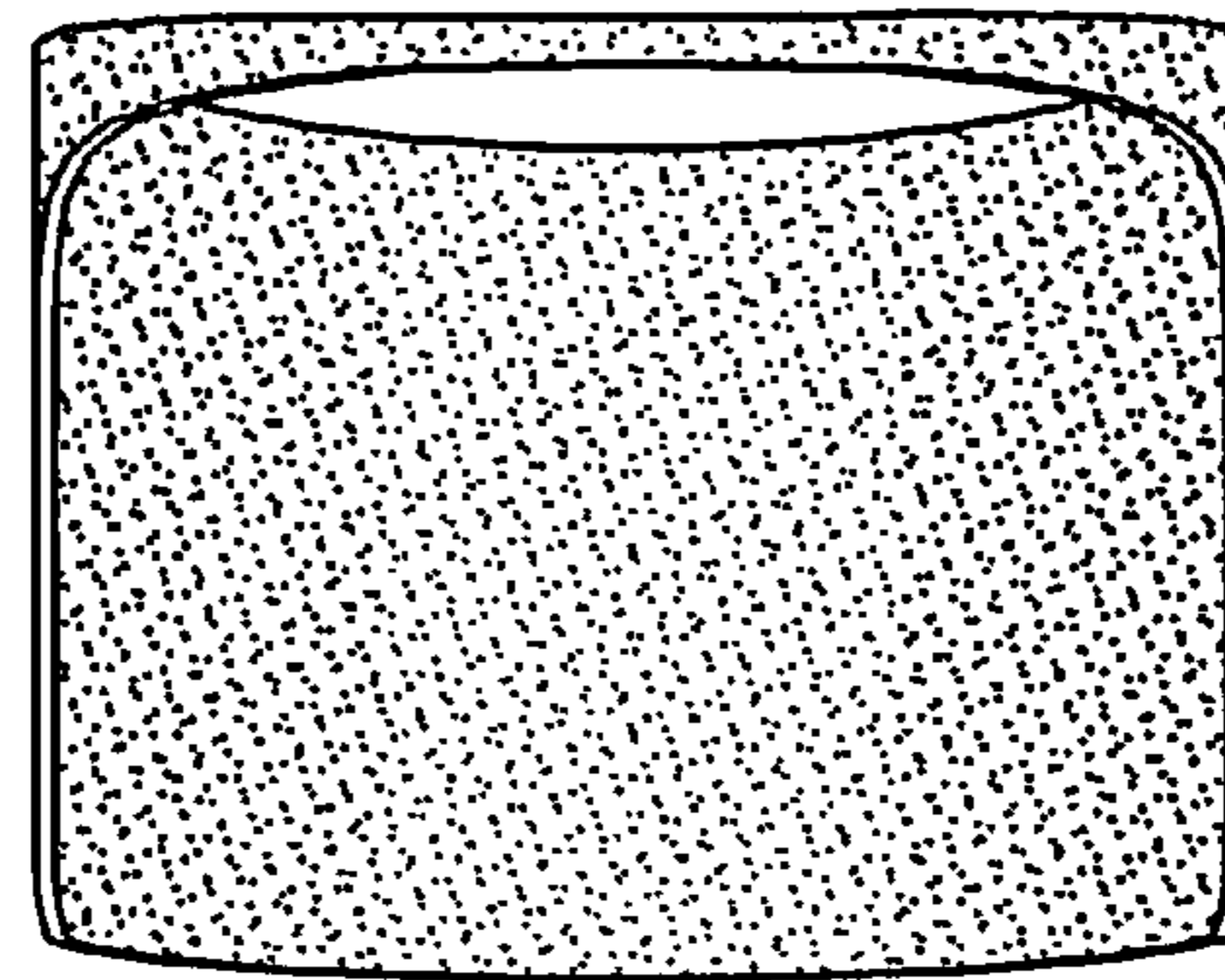


FIGURE 2

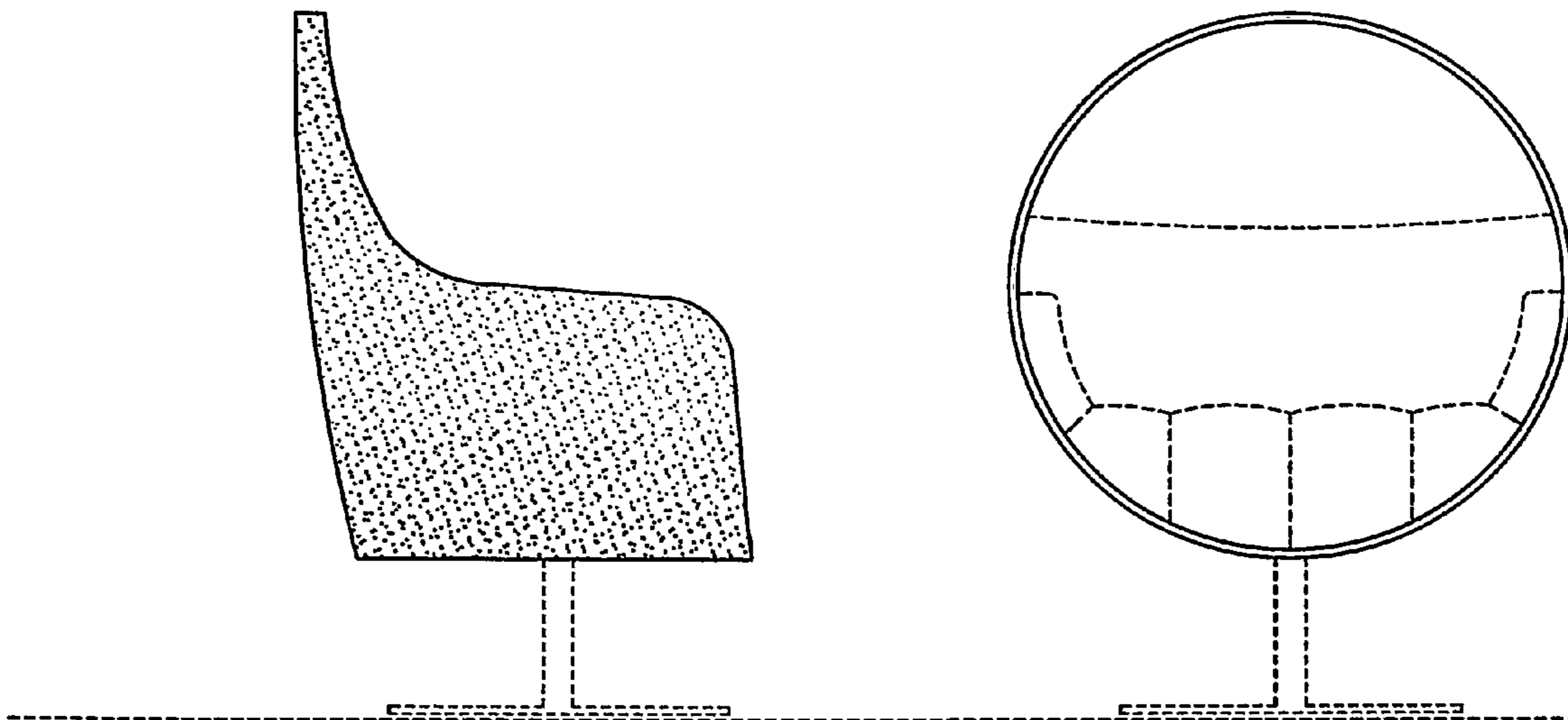


FIGURE 3

FIGURE 4

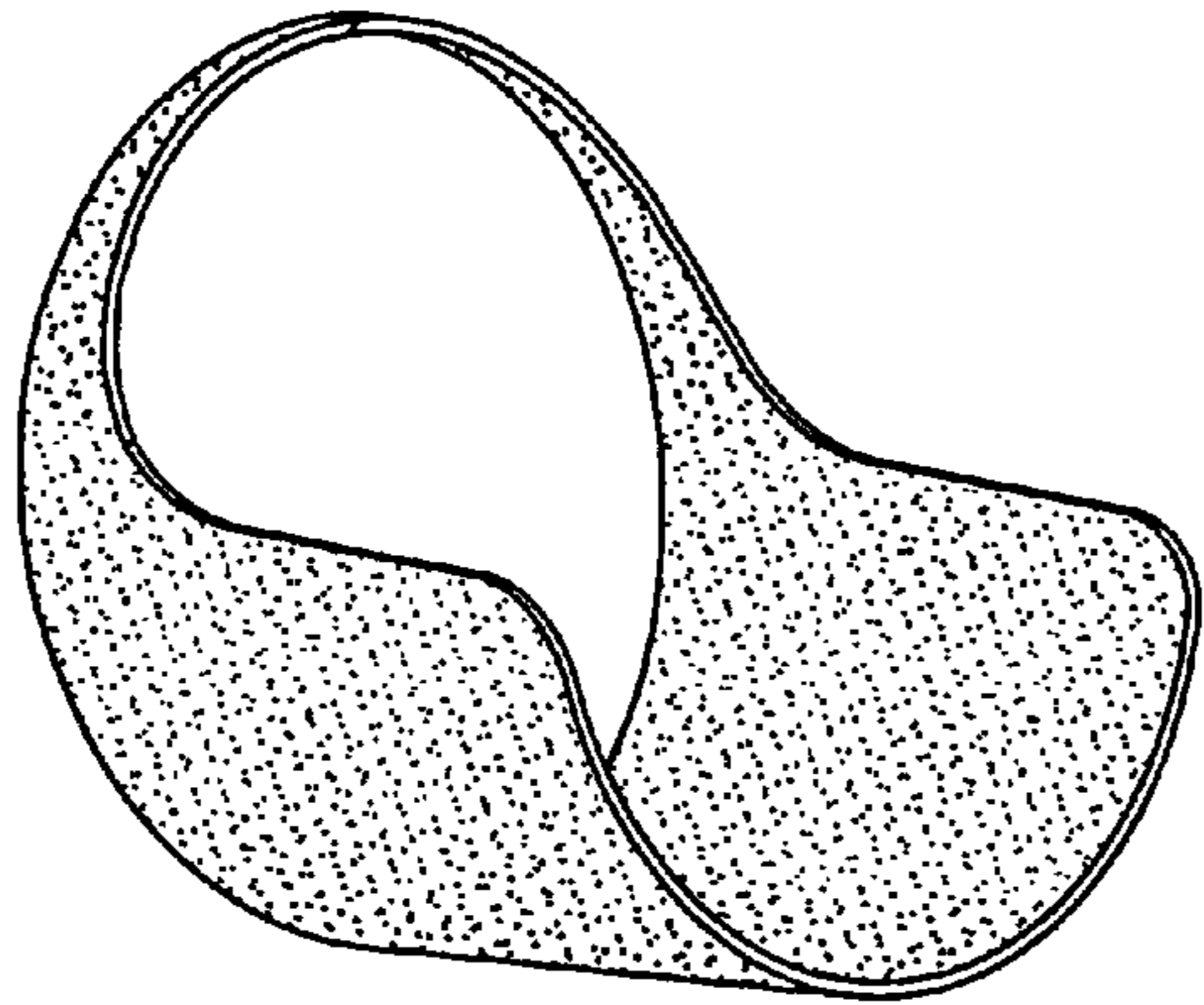


FIGURE 5

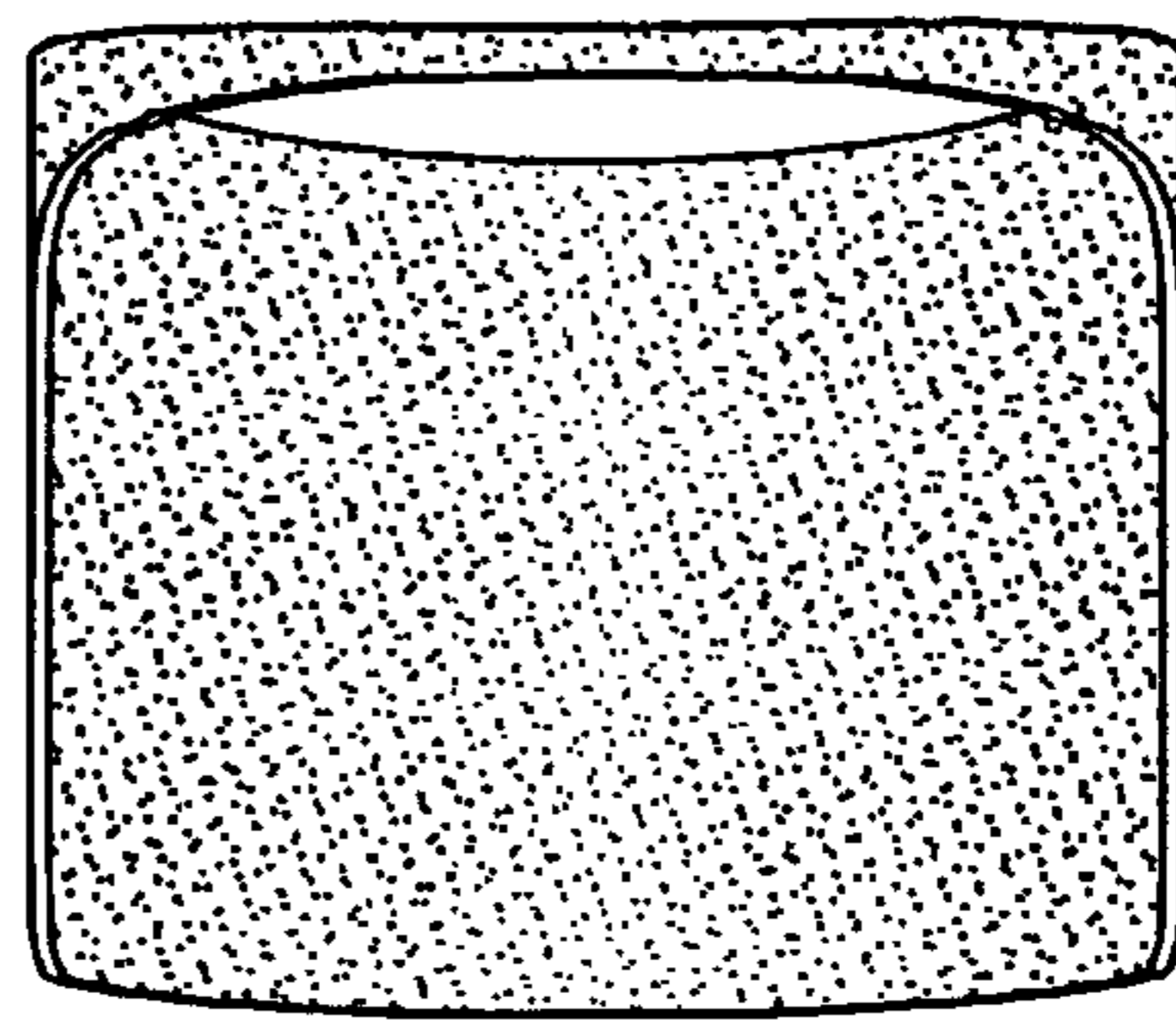


FIGURE 6

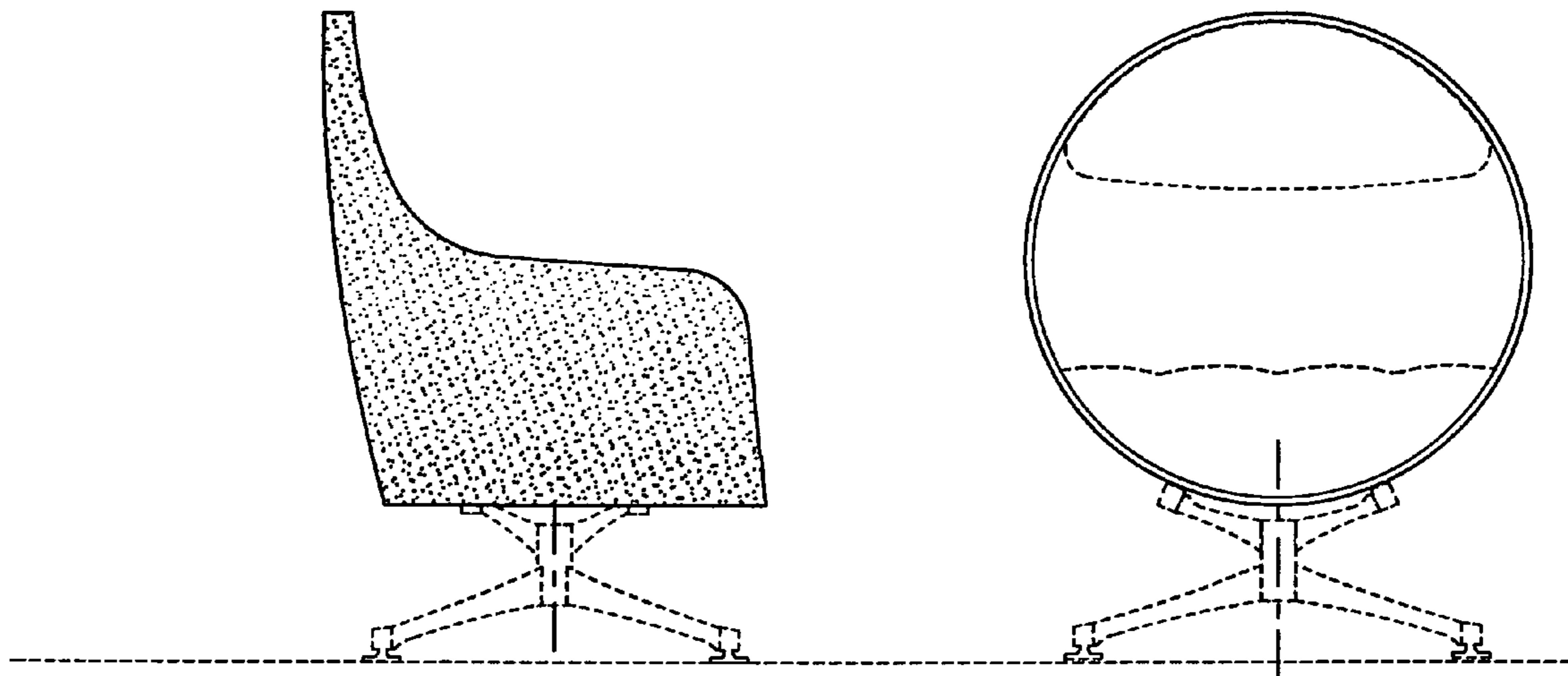


FIGURE 7

FIGURE 8

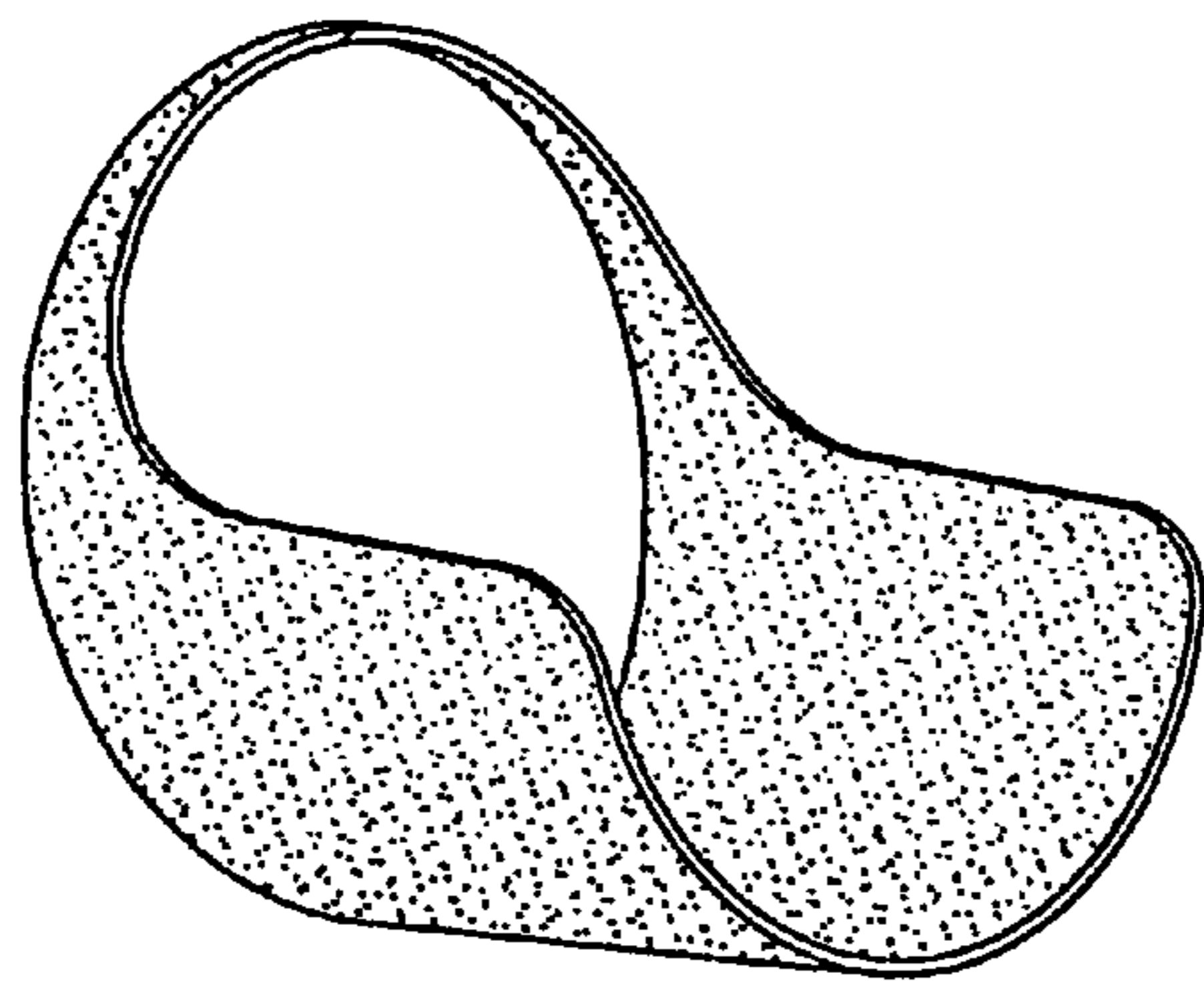


FIGURE 9

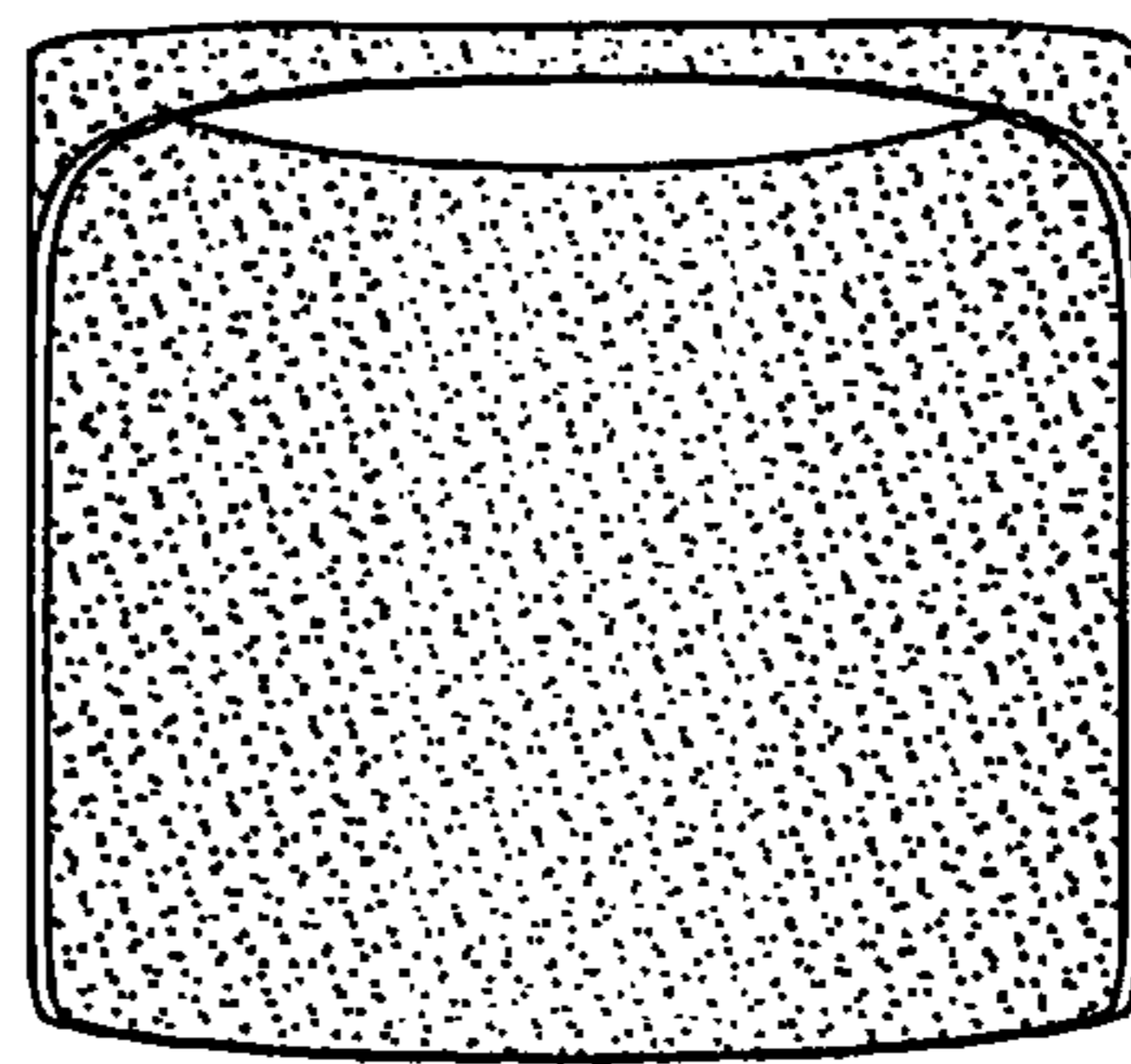


FIGURE 10

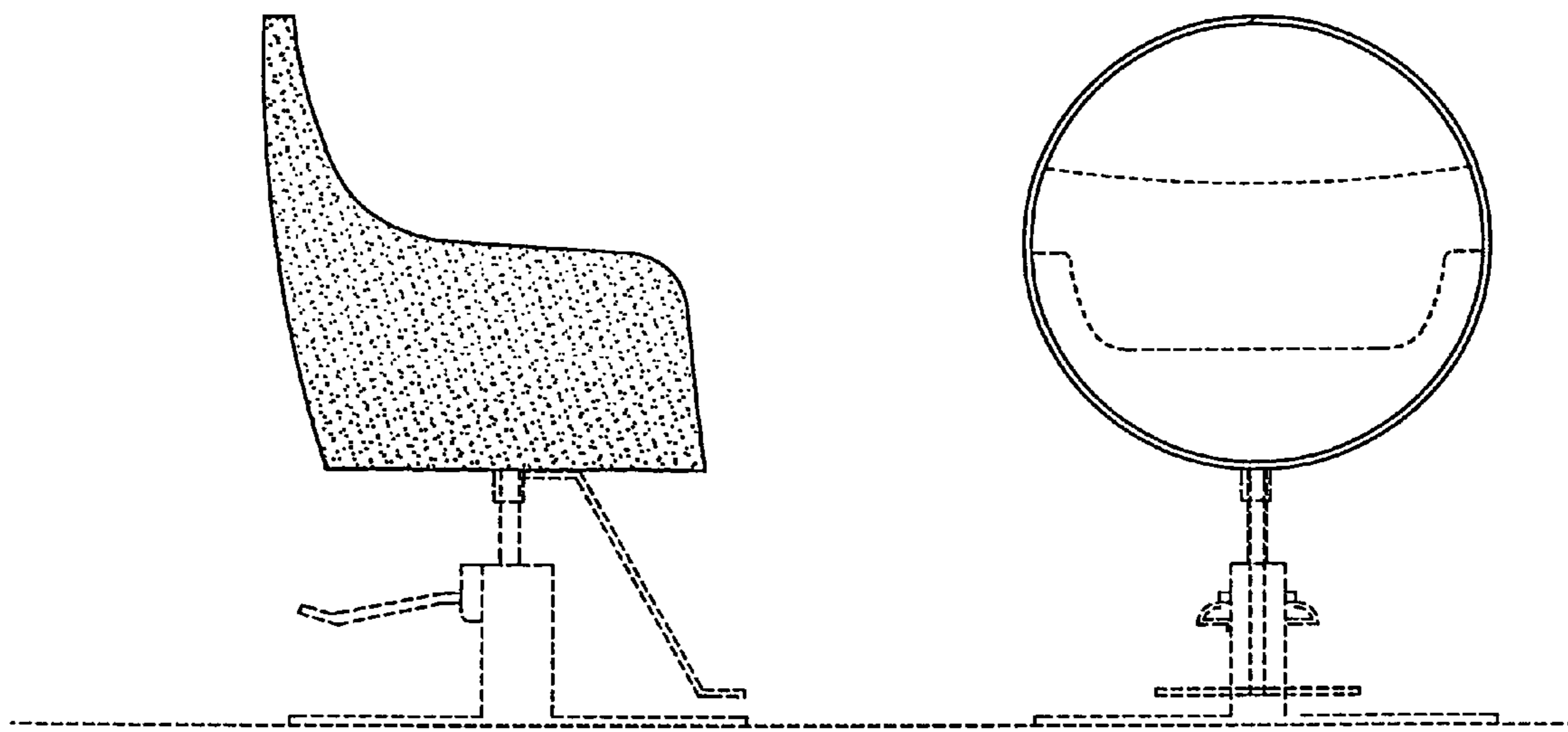


FIGURE 11

FIGURE 12

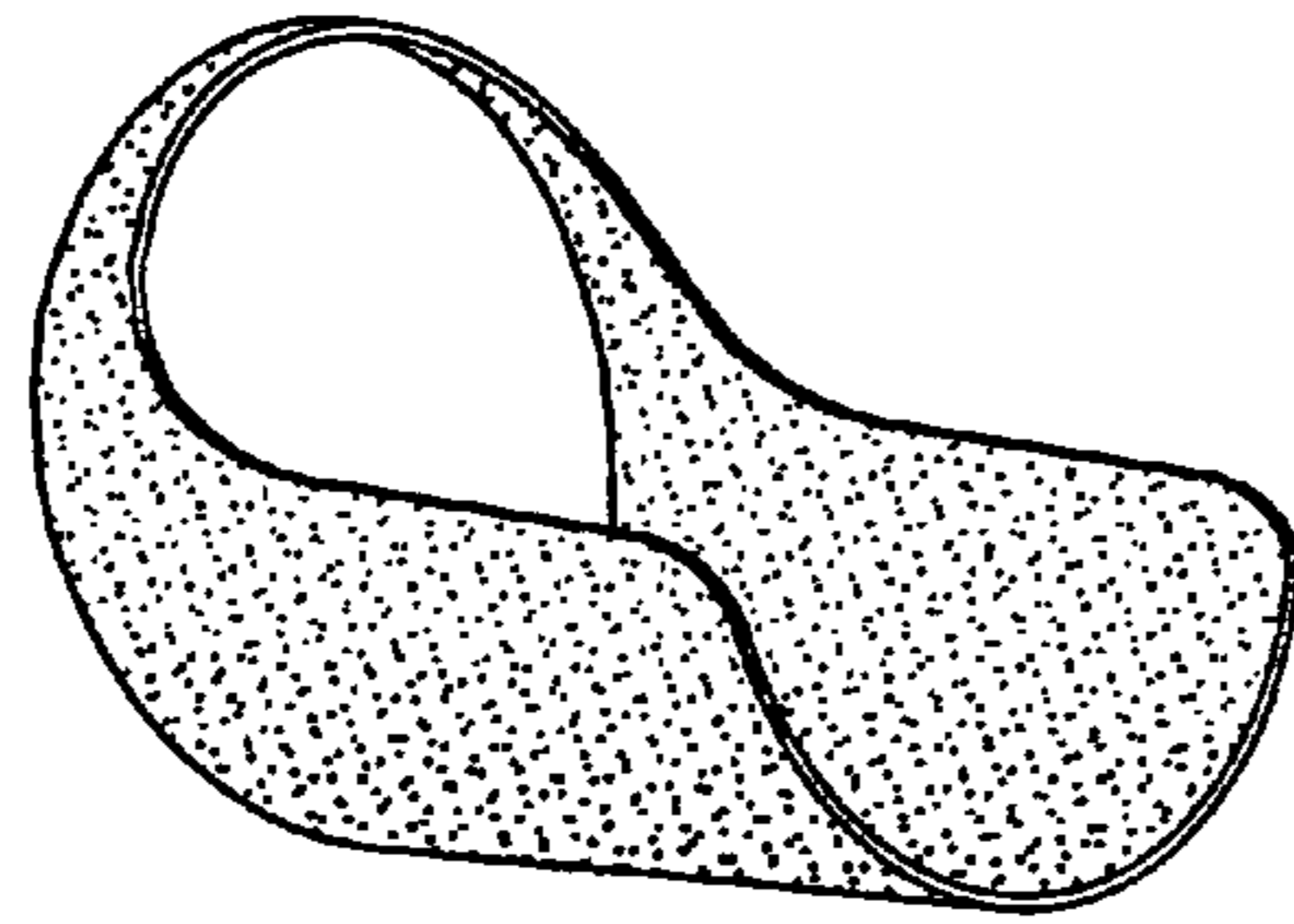


FIGURE 13

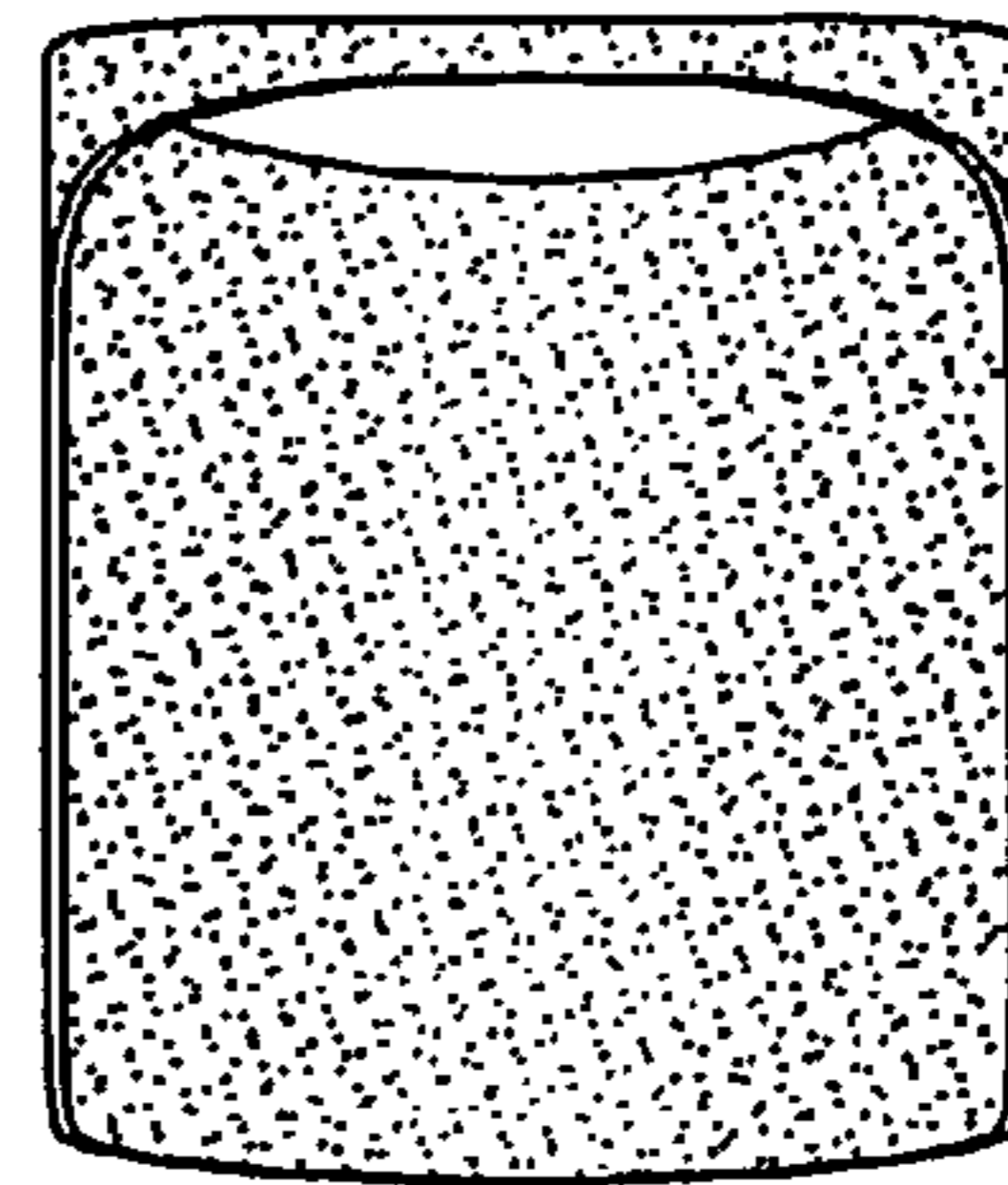


FIGURE 14

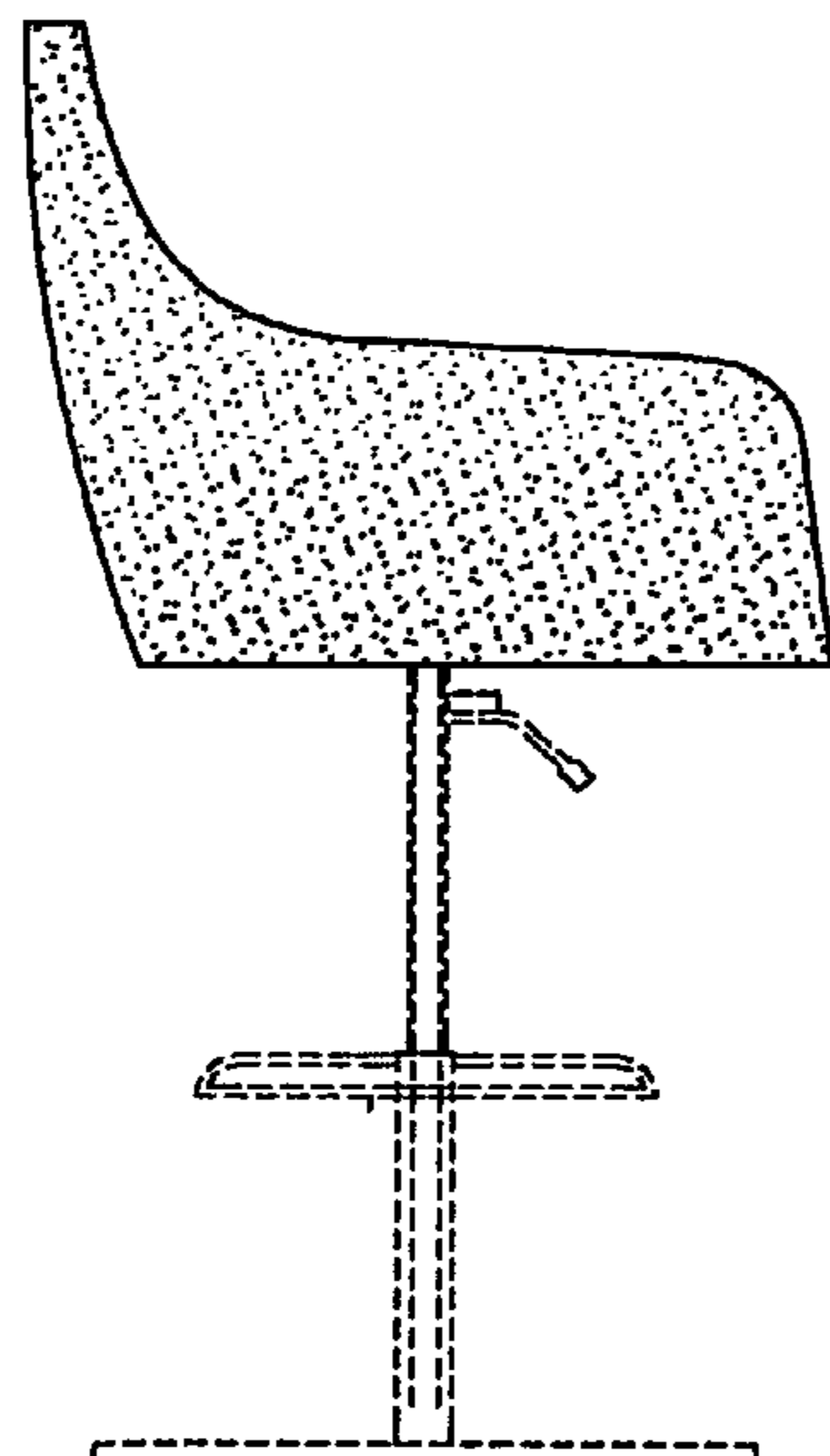


FIGURE 15

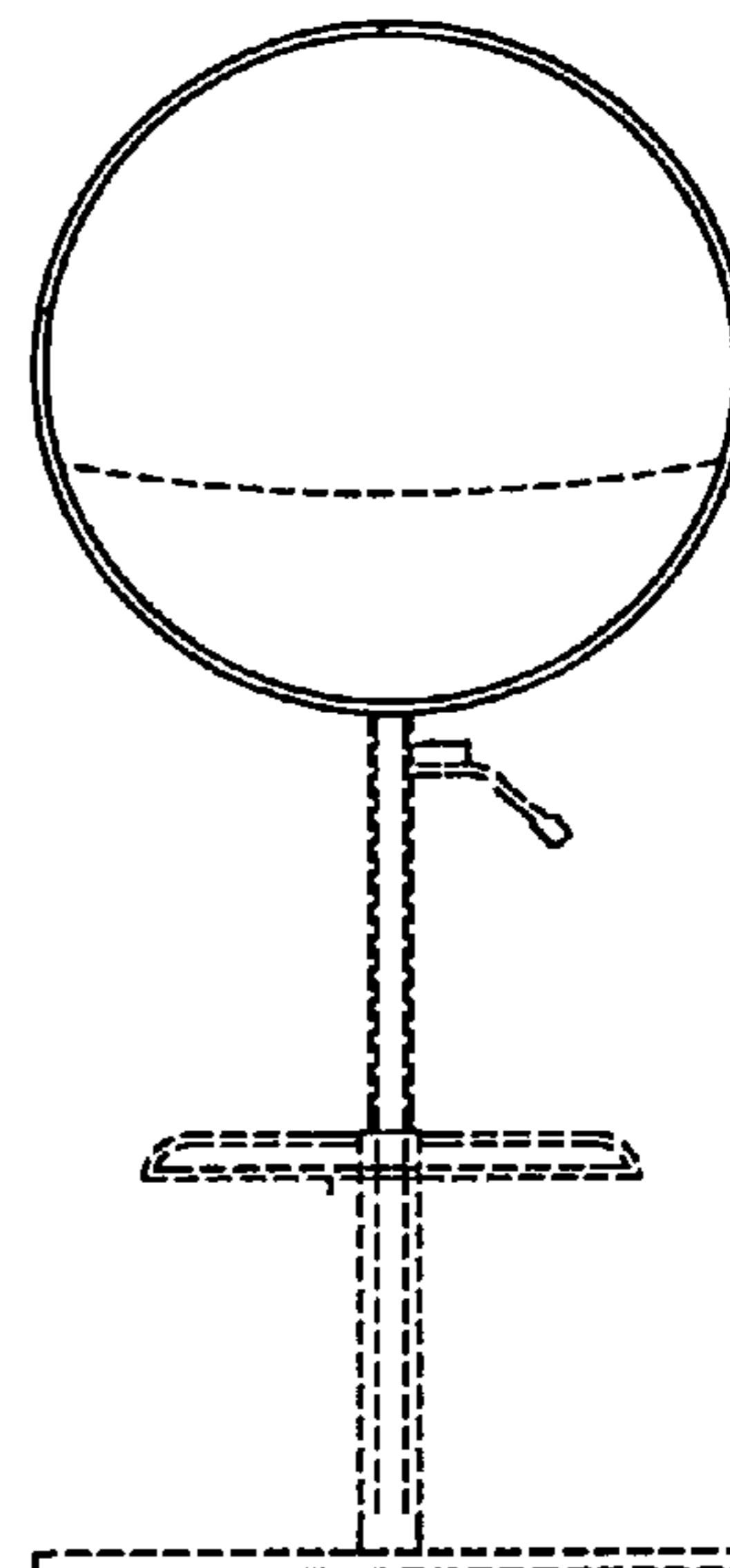


FIGURE 16

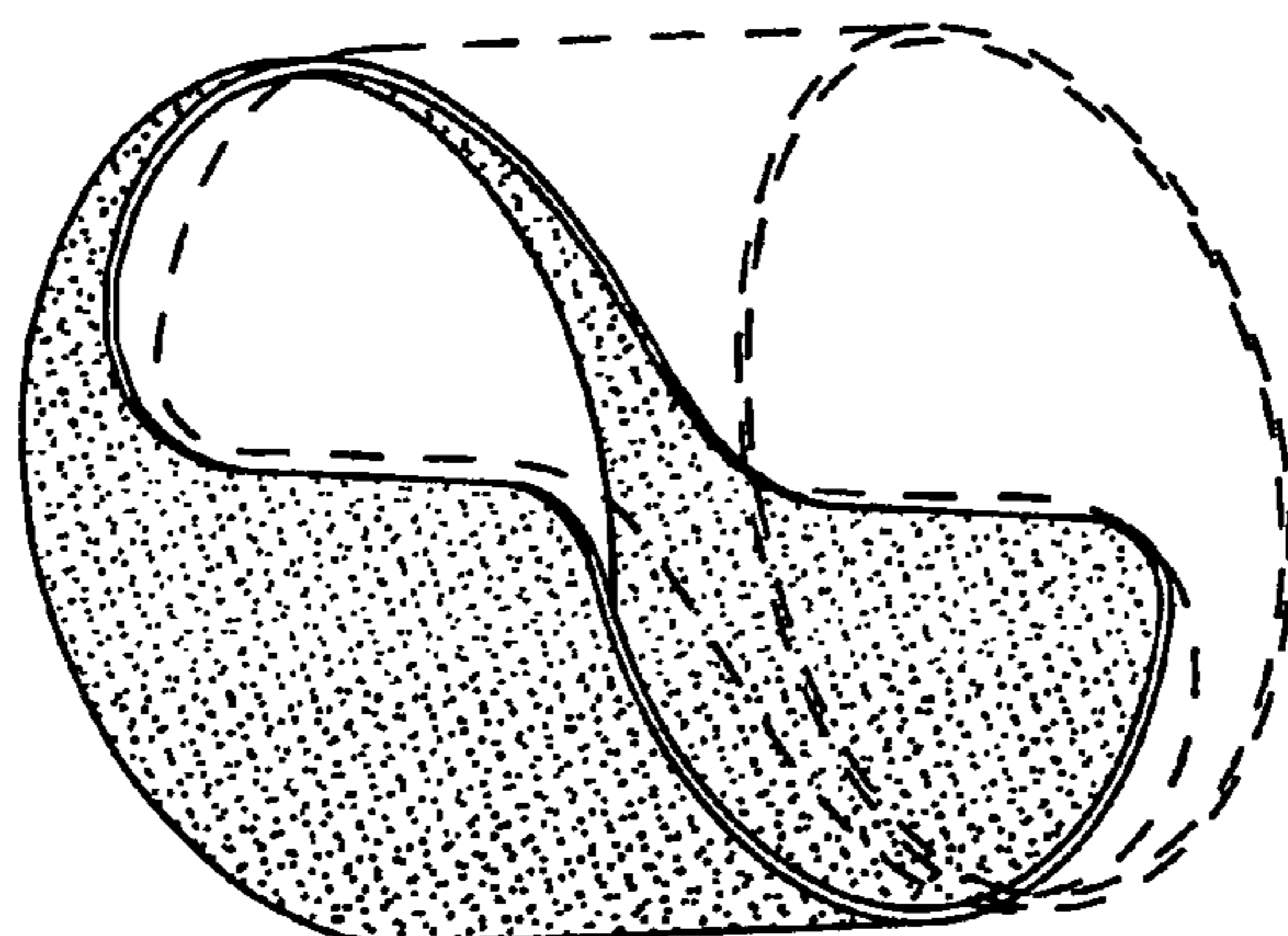


FIGURE 17

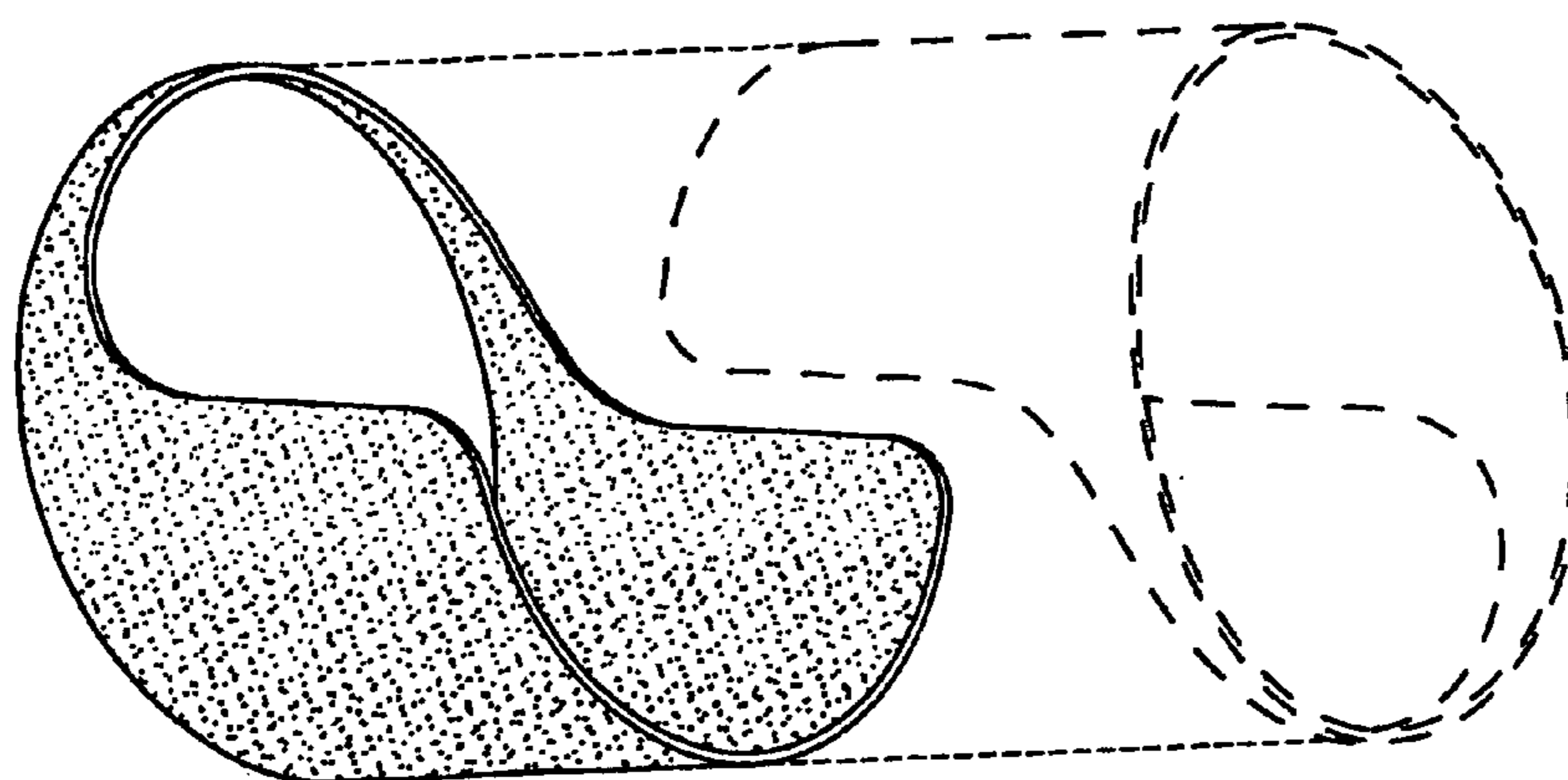


FIGURE 18