



US00D714084S

(12) **United States Design Patent**  
**Hsu et al.**

(10) **Patent No.:** **US D714,084 S**  
(45) **Date of Patent:** **\*\* Sep. 30, 2014**

- (54) **SHELF ORGANIZER**
- (71) Applicant: **Seville Classics Inc.**, Torrance, CA (US)
- (72) Inventors: **Li-Han Hsu**, Torrance, CA (US);  
**Cynthia J. Luff**, Redondo Beach, CA (US)
- (73) Assignee: **Seville Classics Inc**, Torrance, CA (US)
- (\*\*) Term: **14 Years**
- (21) Appl. No.: **29/483,349**
- (22) Filed: **Feb. 27, 2014**

2,913,128 A	11/1959	Milner	
2,958,424 A	11/1960	Bigatti	
3,113,400 A	12/1963	Emond	
3,252,434 A	5/1966	Young, Jr.	
3,349,924 A	10/1967	Maurer	
D215,773 S	10/1969	Maslow	
3,559,339 A	2/1971	Worley	
3,722,431 A	3/1973	Howard	
3,840,243 A	10/1974	Reinhart et al.	
3,977,689 A	8/1976	Rosa	
4,285,163 A	8/1981	Booker, Jr.	
4,295,754 A	10/1981	Ashton et al.	
4,297,795 A	11/1981	Licari	
4,343,245 A *	8/1982	Edwards	108/193
4,673,323 A	1/1987	Nicely	
D291,165 S	8/1987	Ray	
D292,658 S	11/1987	Kester	
D292,764 S	11/1987	Kester	
4,725,066 A	2/1988	Nootenboom et al.	
4,774,792 A	10/1988	Balance	
4,828,123 A	5/1989	Basore	
4,895,382 A	1/1990	Andersson	

**Related U.S. Application Data**

- (63) Continuation-in-part of application No. 29/470,486, filed on Oct. 22, 2013.
- (51) **LOC (10) Cl.** ..... **06-06**
- (52) **U.S. Cl.**  
USPC ..... **D6/683**
- (58) **Field of Classification Search**  
USPC ..... D6/449, 475-479, 675-675.1,  
D6/682-682.1, 683; 108/59-61, 91-93,  
108/149, 157.1, 158.1; 211/134, 186, 188,  
211/182, 153, 175

See application file for complete search history.

**References Cited**

**U.S. PATENT DOCUMENTS**

222,542 A	12/1879	Stearns
253,461 A	2/1882	Wold
638,417 A	12/1899	Miller
1,573,844 A	2/1926	Marvin
1,578,248 A	3/1926	Ackerman
2,305,629 A	12/1942	Magnuson
2,516,088 A	7/1950	Einhorn
2,680,522 A	6/1954	Temple
2,714,540 A	8/1955	Diehm

(Continued)

*Primary Examiner* — Kelley Donnelly

(74) *Attorney, Agent, or Firm* — Raymond Sun

(57) **CLAIM**

The ornamental design for a shelf organizer, as shown and described.

**DESCRIPTION**

FIG. 1 is a perspective view of a shelf organizer showing our new design.

FIG. 2 is a front plan view thereof;

FIG. 3 is a left plan view thereof;

FIG. 4 is a right plan view thereof;

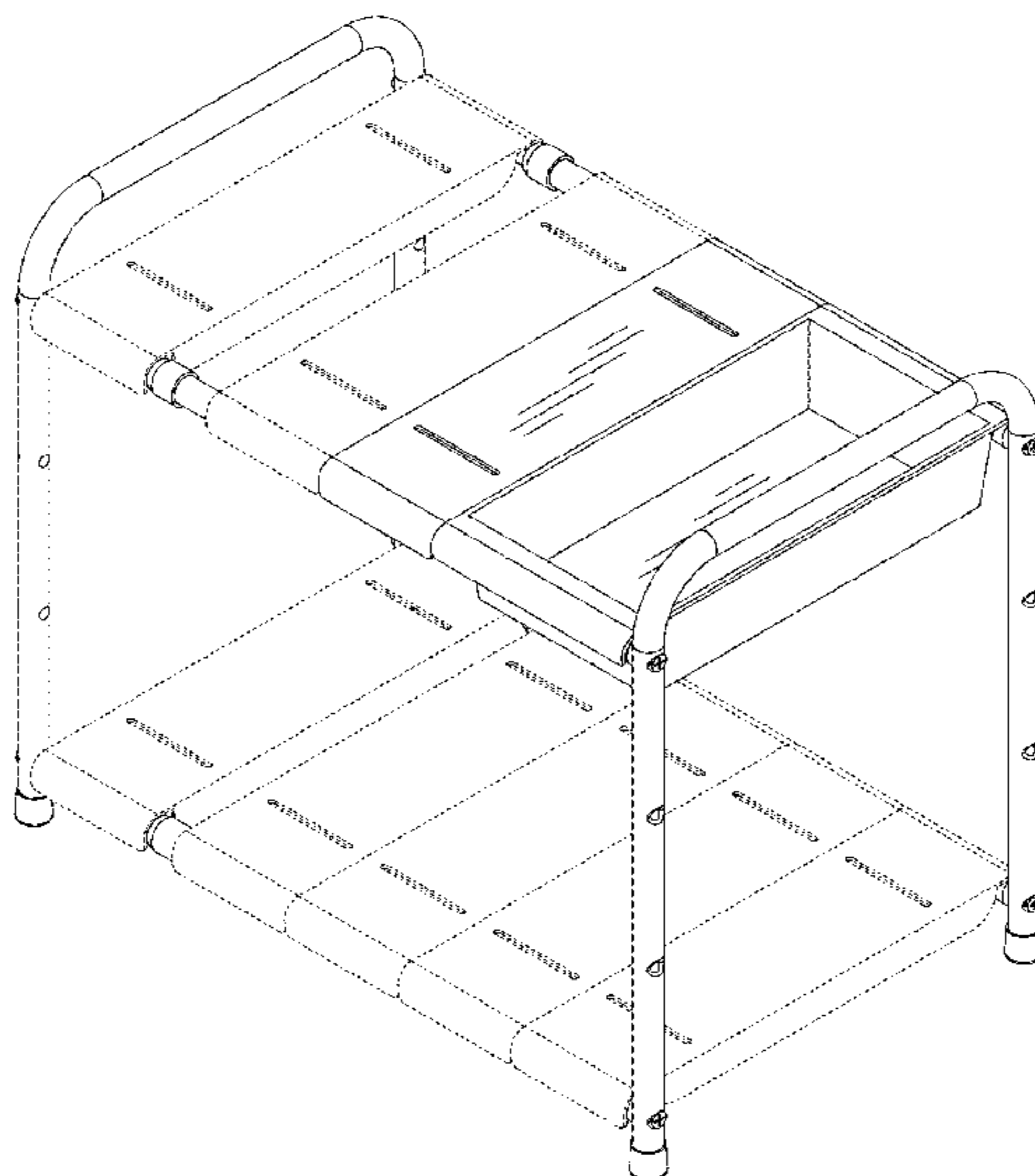
FIG. 5 is a top plan view thereof;

FIG. 6 is a bottom plan view thereof; and,

FIG. 7 is a rear plan view thereof.

The broken lines in the drawings form no part of the claimed design.

**1 Claim, 7 Drawing Sheets**



(56)

References Cited

U.S. PATENT DOCUMENTS

D308,776 S	6/1990	Yau Kee	
4,978,013 A	12/1990	Hogg	
D314,101 S	1/1991	Yau Kee	
D314,103 S	1/1991	Yau Kee	
D314,679 S	2/1991	Kee	
D323,256 S	1/1992	Kee	
D328,400 S	8/1992	Kee	
D329,556 S	9/1992	Brussing	
5,169,009 A	12/1992	Bomze	
5,217,125 A	6/1993	Swanson	
D344,381 S *	2/1994	Martin et al.	D34/7
5,351,843 A	10/1994	Wichman et al.	
5,452,811 A	9/1995	Taravella et al.	
D371,879 S *	7/1996	Linder	D34/21
5,580,025 A	12/1996	Cross	
5,647,487 A	7/1997	Reinhard	
5,676,263 A	10/1997	Chang	
D392,817 S	3/1998	Lee	
5,738,230 A	4/1998	Goldstein	
D393,970 S	5/1998	Lee	
5,779,070 A	7/1998	Dickinson et al.	
D400,739 S *	11/1998	Sheng	D6/479
D403,536 S *	1/1999	Olson et al.	D6/479
5,865,320 A	2/1999	Hamada	
5,913,270 A	6/1999	Price	
5,924,577 A	7/1999	Gessert	
5,988,405 A	11/1999	Weisenburger	
6,017,107 A	1/2000	Elliott et al.	
D424,836 S	5/2000	Kopala, Jr.	
D429,092 S	8/2000	Walter	
D429,095 S *	8/2000	Grosfillex	D6/479
6,123,035 A *	9/2000	Pfister	108/180
D432,820 S	10/2000	Walters-Dowding et al.	
6,135,299 A	10/2000	Burgess	
6,155,435 A *	12/2000	Malik	211/41.12
D439,769 S *	4/2001	Prince et al.	D6/479
6,260,488 B1	7/2001	Yang et al.	
6,283,314 B1	9/2001	Loguercio	
6,302,284 B1	10/2001	Zonshin	
6,305,764 B1	10/2001	Kortman et al.	
6,394,292 B1	5/2002	Sabounjian	
6,427,858 B2	8/2002	Sabounjian	
6,443,410 B1	9/2002	Lee	
D471,033 S	3/2003	Yamaguchi	
D471,381 S	3/2003	Yamaguchi	
D474,870 S	5/2003	Post et al.	
6,561,107 B1	5/2003	Wood et al.	
D477,160 S *	7/2003	Grosfillex	D6/479
6,726,038 B2 *	4/2004	Ko	211/153
D493,048 S *	7/2004	Moon et al.	D6/479
D496,545 S *	9/2004	McDiarmid	D6/479
D501,338 S *	2/2005	Deasy et al.	D6/479
D501,738 S	2/2005	Clucas	
6,899,237 B2	5/2005	Trent	
6,938,807 B2	9/2005	Victor	
6,970,143 B2	11/2005	Allen et al.	
D383,058 S	3/2007	Van Es	
D540,568 S	4/2007	Clucas	
D580,193 S	11/2008	Sparkowski	
D597,342 S	8/2009	Dickson	
D602,712 S	10/2009	Ho	
D615,777 S	5/2010	Lee et al.	
D626,356 S	11/2010	Ho	
D630,813 S	1/2011	Molayem	
D648,969 S *	11/2011	Cittadino et al.	D6/511
2005/0206579 A1	9/2005	Allen et al.	
2006/0254847 A1	11/2006	Miura et al.	
2006/0254992 A1	11/2006	Lim	
2007/0175847 A1	8/2007	Prest	
2008/0203042 A1 *	8/2008	Felsenthal	211/153
2008/0283480 A1	11/2008	Segall et al.	
2008/0308516 A1	12/2008	Li	
2009/0184068 A1	7/2009	Kin	

\* cited by examiner

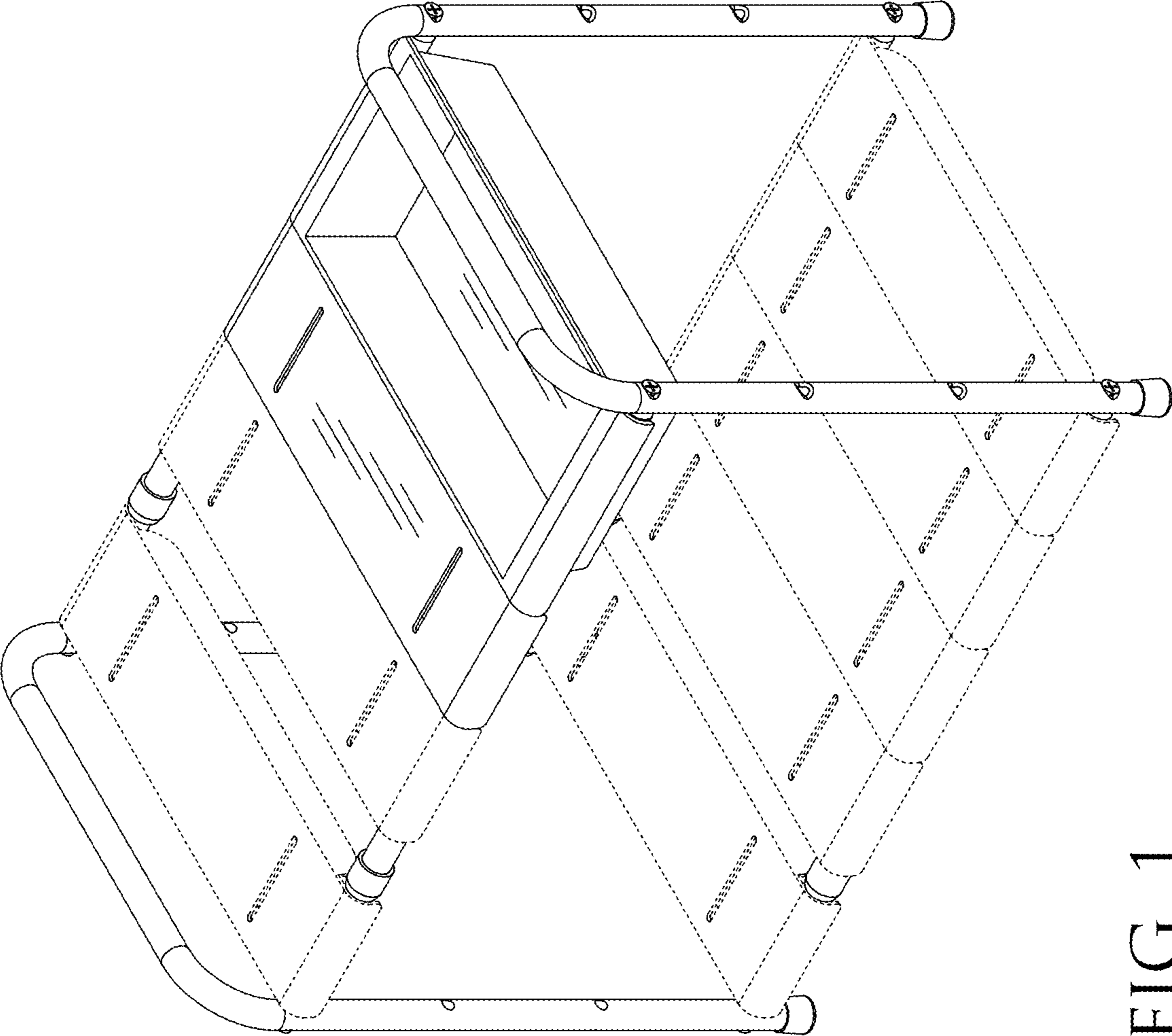


FIG. 1

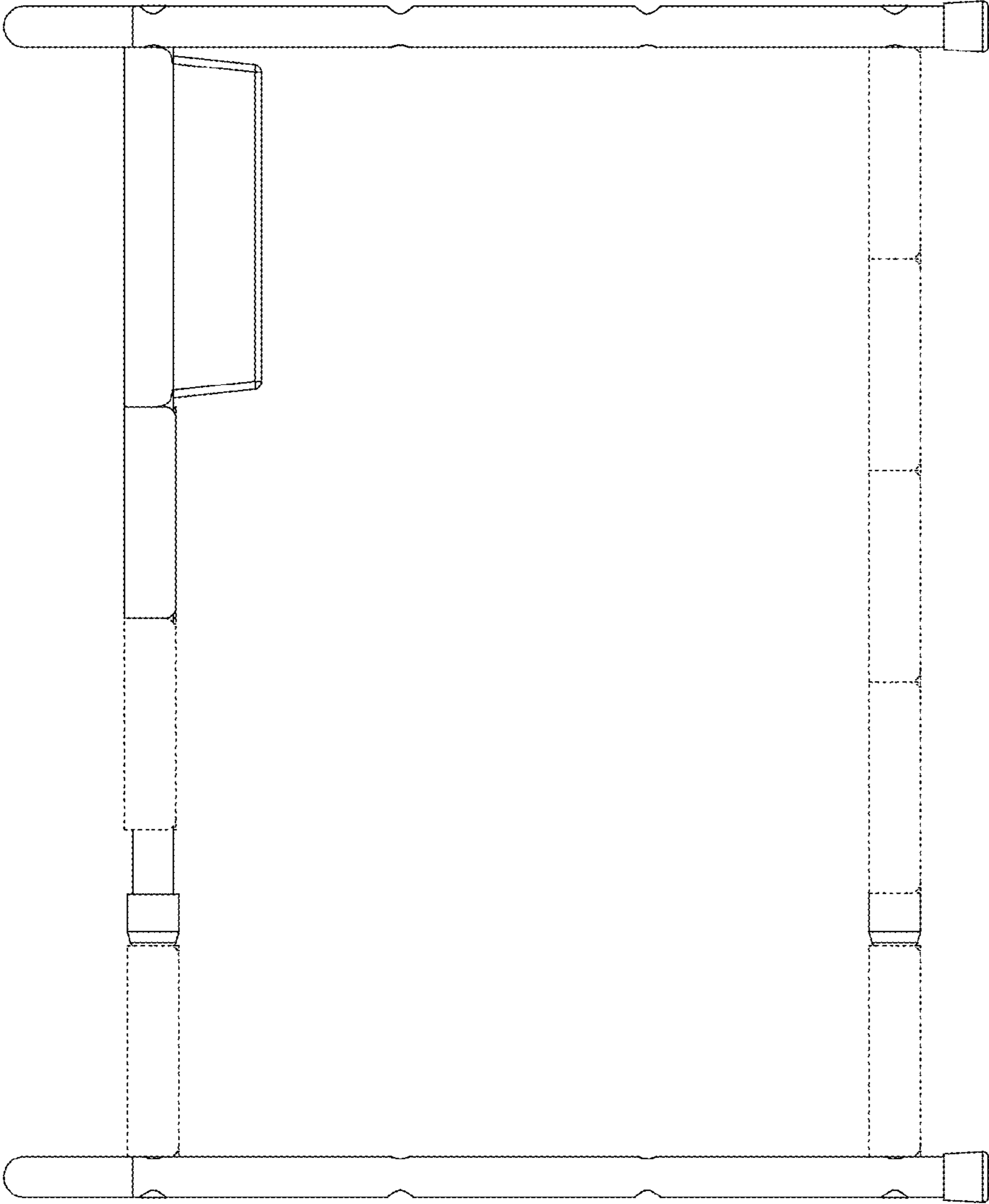


FIG. 2

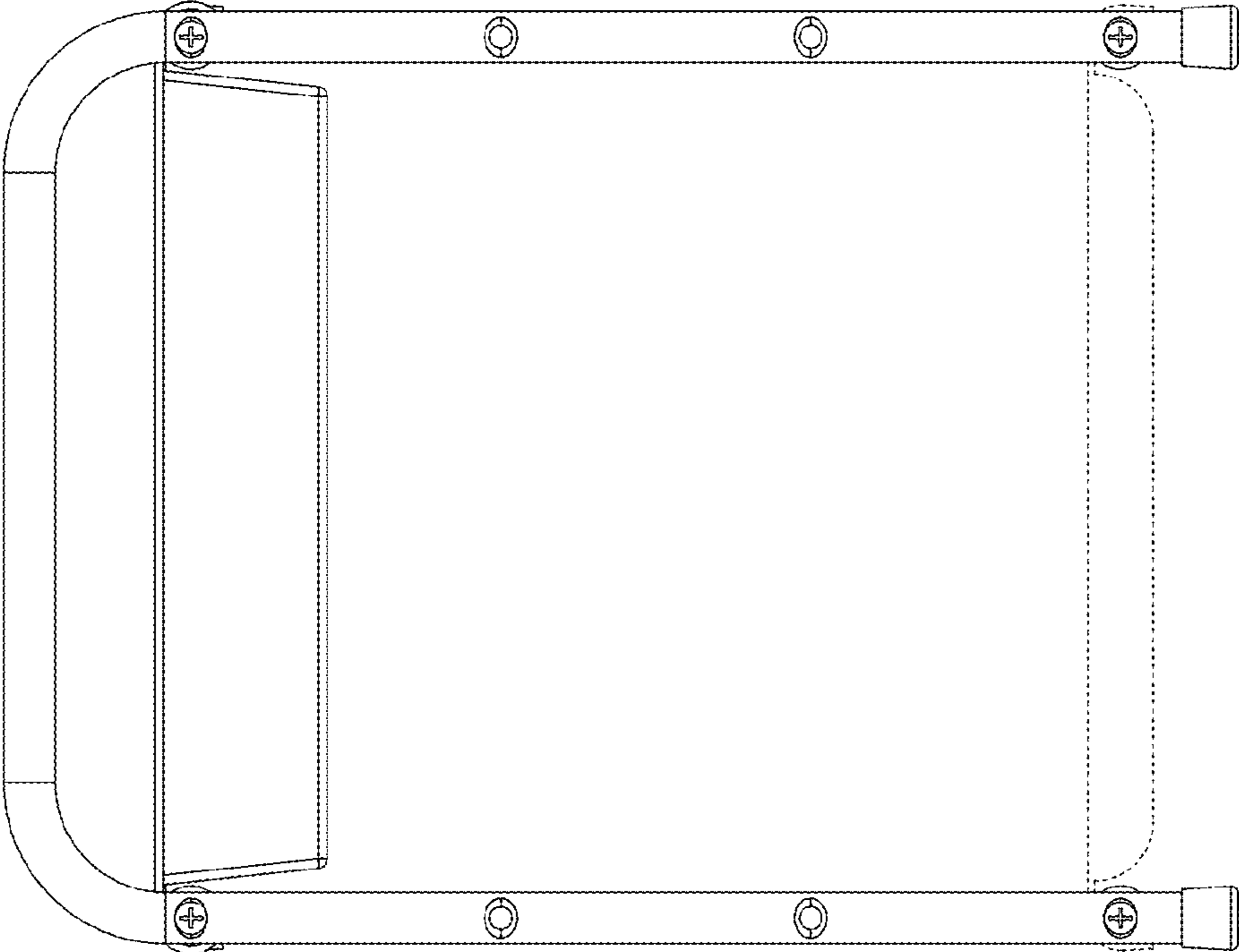


FIG. 3



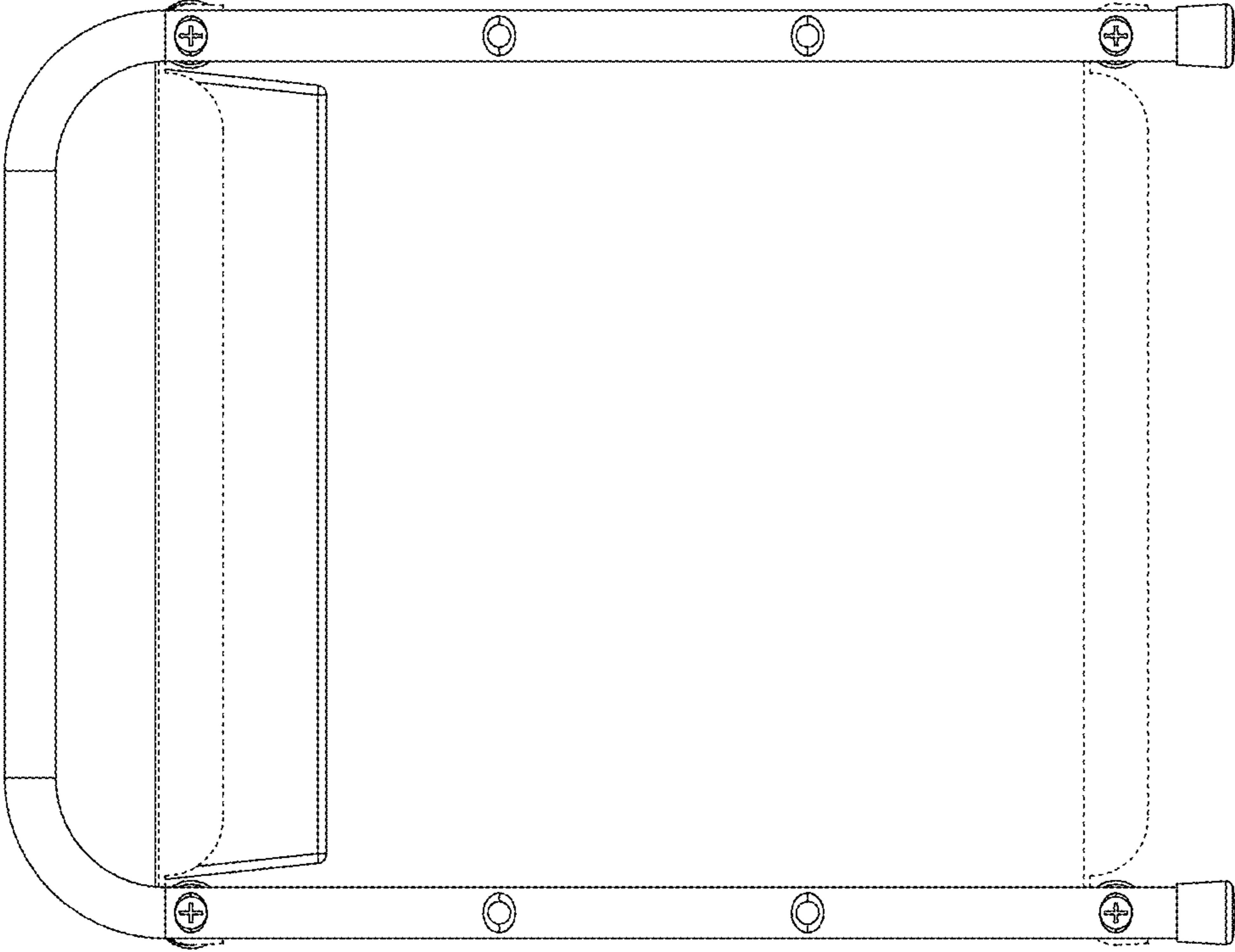


FIG. 4

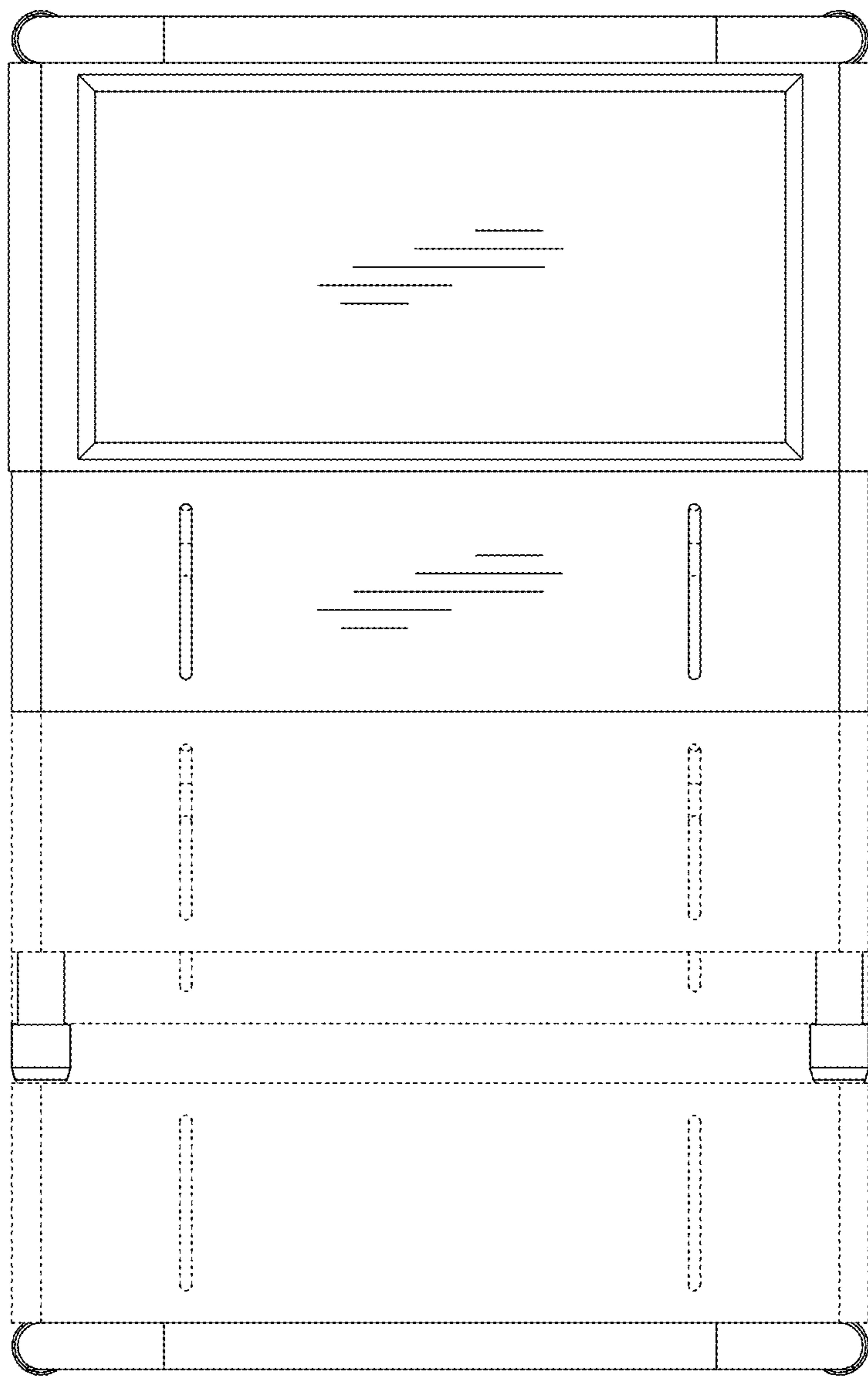


FIG. 5

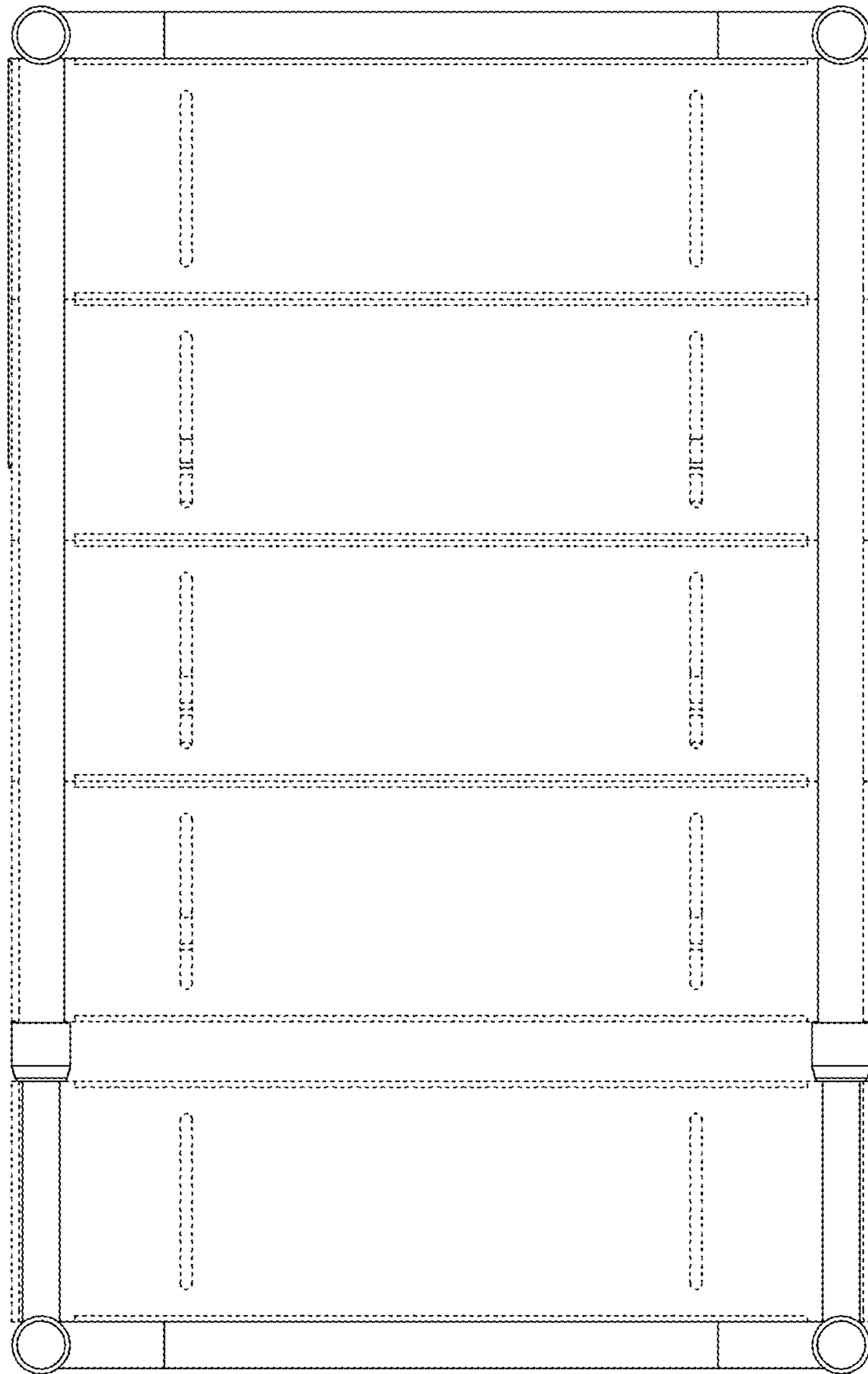


FIG. 6



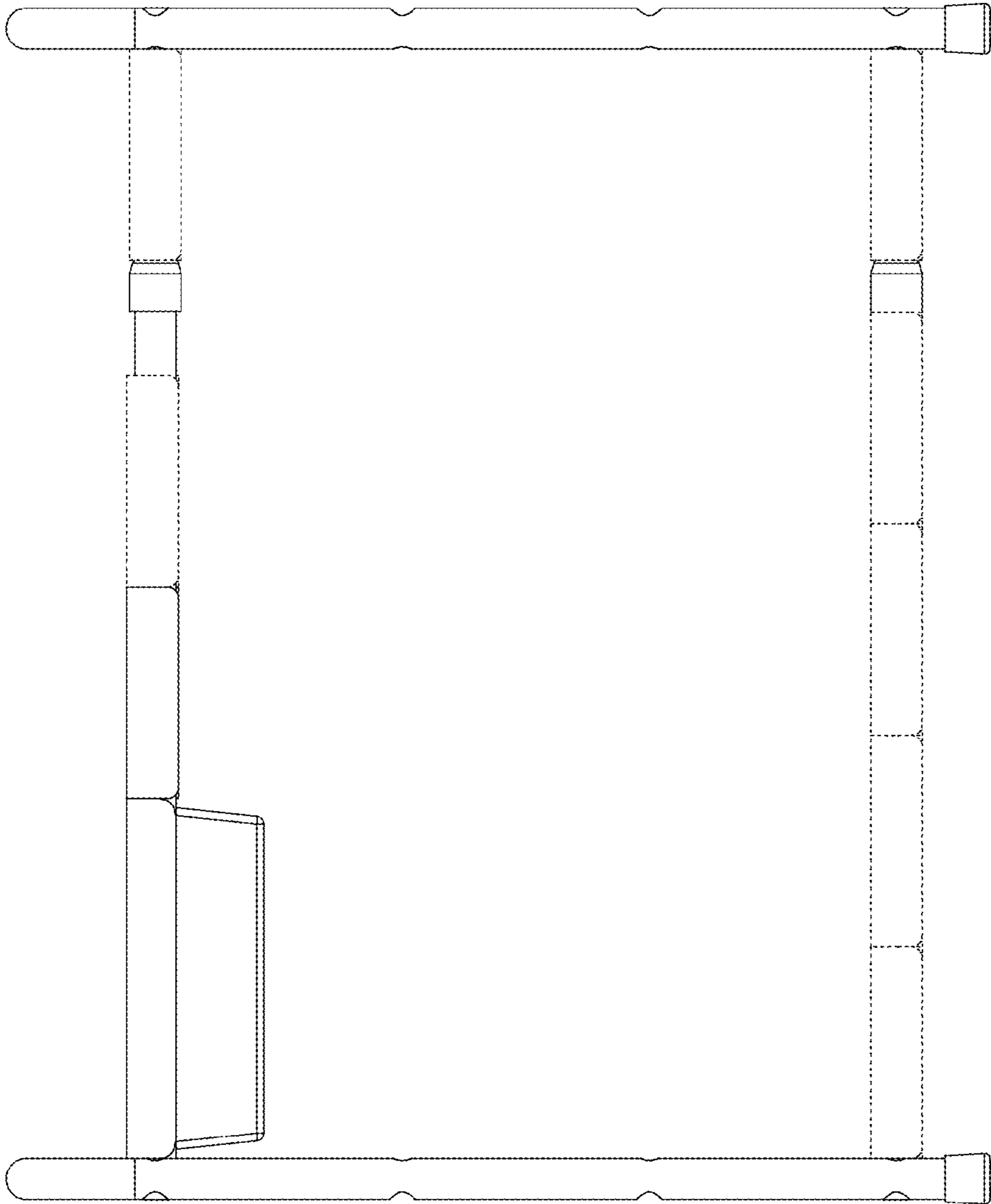


FIG. 7