



US00D714083S

(12) **United States Design Patent**
Yu

(10) **Patent No.:** **US D714,083 S**

(45) **Date of Patent:** **** Sep. 30, 2014**

(54) **CLOTHES SHELF**

(71) Applicant: **Wen-Chang Yu, Taipei (TW)**

(72) Inventor: **Wen-Chang Yu, Taipei (TW)**

(**) Term: **14 Years**

(21) Appl. No.: **29/487,326**

(22) Filed: **Apr. 8, 2014**

(51) **LOC (10) Cl.** **06-06**

(52) **U.S. Cl.**

USPC **D6/680.2**

(58) **Field of Classification Search**

USPC D6/396–397, 436, 411, 415, 449, 474,
D6/455–469, 672–673, 675–675.1, 675.3,
D6/680, 680.2; 211/11, 13.1, 85.1, 85.2,
211/85.4, 70, 78, 107, 196–200, 131.1,
211/133.2, 163–164, 181.1, 182; 312/237,
312/224–226, 326

See application file for complete search history.

(56) **References Cited**

U.S. PATENT DOCUMENTS

D44,711 S * 9/1913 Roberts D6/413
D263,653 S * 4/1982 Viets D6/397
4,655,354 A * 4/1987 Cohen 211/199
D369,032 S * 4/1996 Huang et al. D6/412
D390,725 S * 2/1998 Vairo D6/458
D393,173 S * 4/1998 Harris D6/630
D450,473 S * 11/2001 Walter D6/411

D452,390 S * 12/2001 Petti D6/411
D457,751 S * 5/2002 Stafford et al. D6/456
D463,679 S * 10/2002 Chang D6/411
D536,902 S * 2/2007 Wu D6/411
D555,960 S * 11/2007 Pena D6/552
D558,465 S * 1/2008 Mattioli D6/320
D572,503 S * 7/2008 White D6/465
D625,124 S * 10/2010 Campbell D6/457
D653,462 S * 2/2012 Trexler D6/323
8,136,786 B2 * 3/2012 Kepes et al. 248/465.1
D682,582 S * 5/2013 Levy et al. D6/680.2
D685,235 S * 7/2013 Goodman et al. D7/704
D693,478 S * 11/2013 Irick et al. D24/231
D699,486 S * 2/2014 Huang et al. D6/681.3

* cited by examiner

Primary Examiner — Kelley Donnelly

(74) *Attorney, Agent, or Firm* — Alan Kamrath; Kamrath IP Lawfirm, P.A.

(57) **CLAIM**

The ornamental design for a clothes shelf, as shown and described.

DESCRIPTION

FIG. 1 is a perspective view of a clothes shelf showing my design;

FIG. 2 is a front elevational view thereof;

FIG. 3 is a rear elevational view thereof;

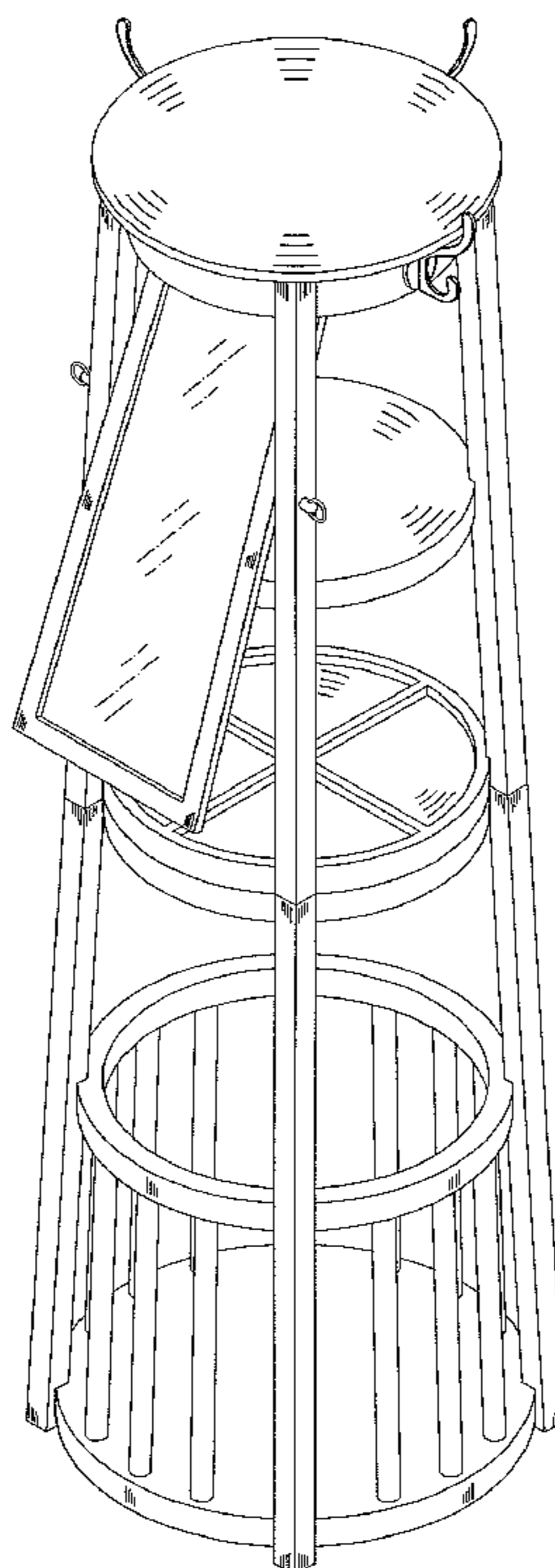
FIG. 4 is a left side elevational view thereof;

FIG. 5 is a right side elevational view thereof;

FIG. 6 is a top plan view thereof; and,

FIG. 7 is a bottom plan view thereof.

1 Claim, 7 Drawing Sheets



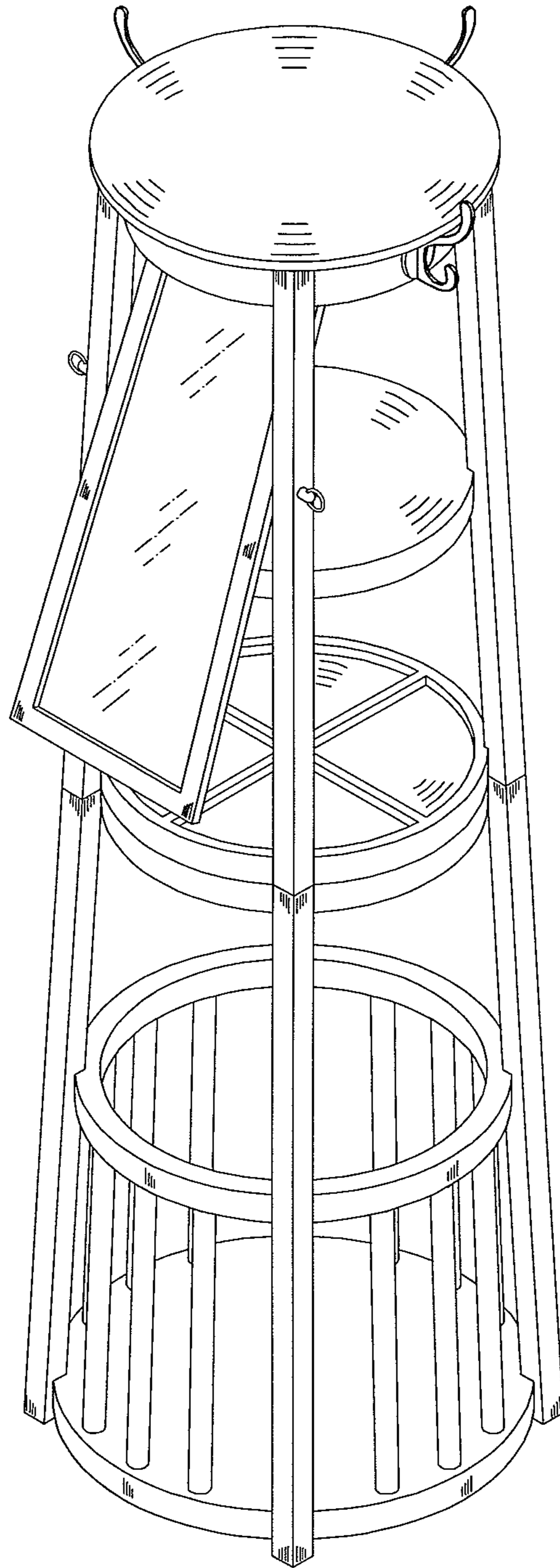


FIG. 1

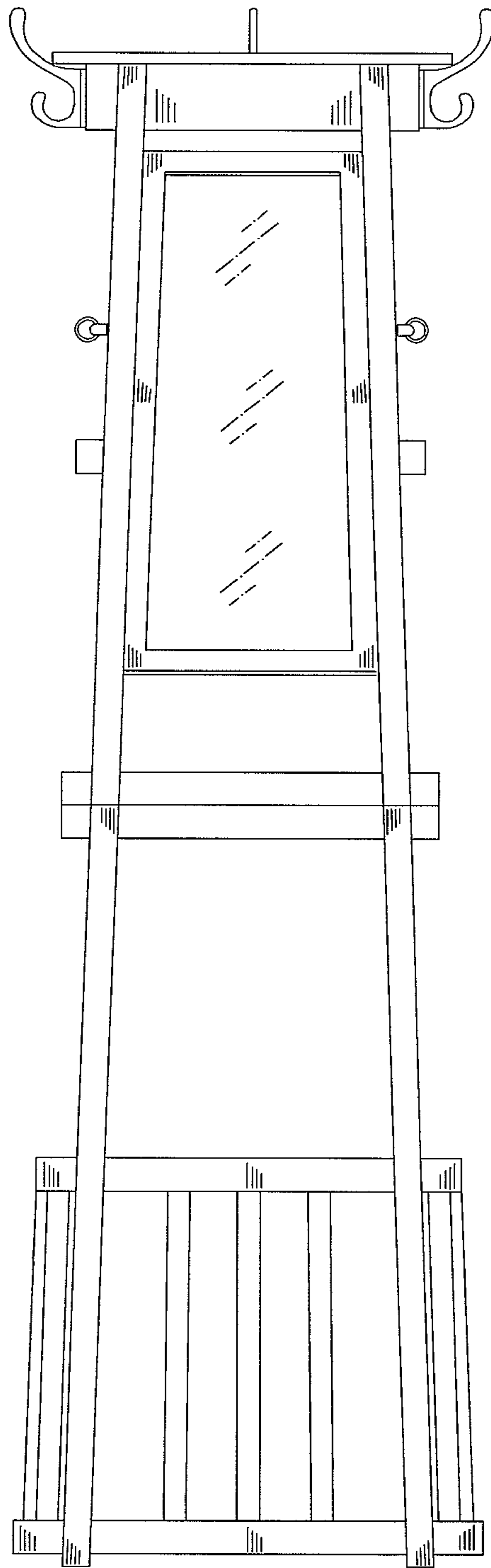


FIG. 2

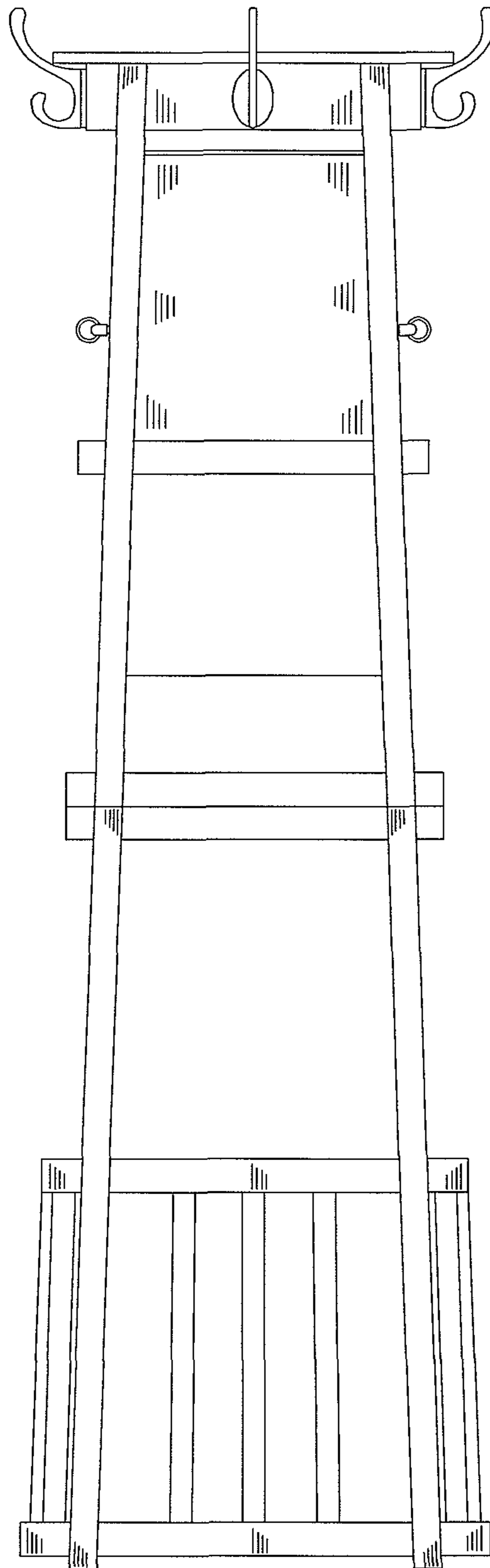


FIG. 3

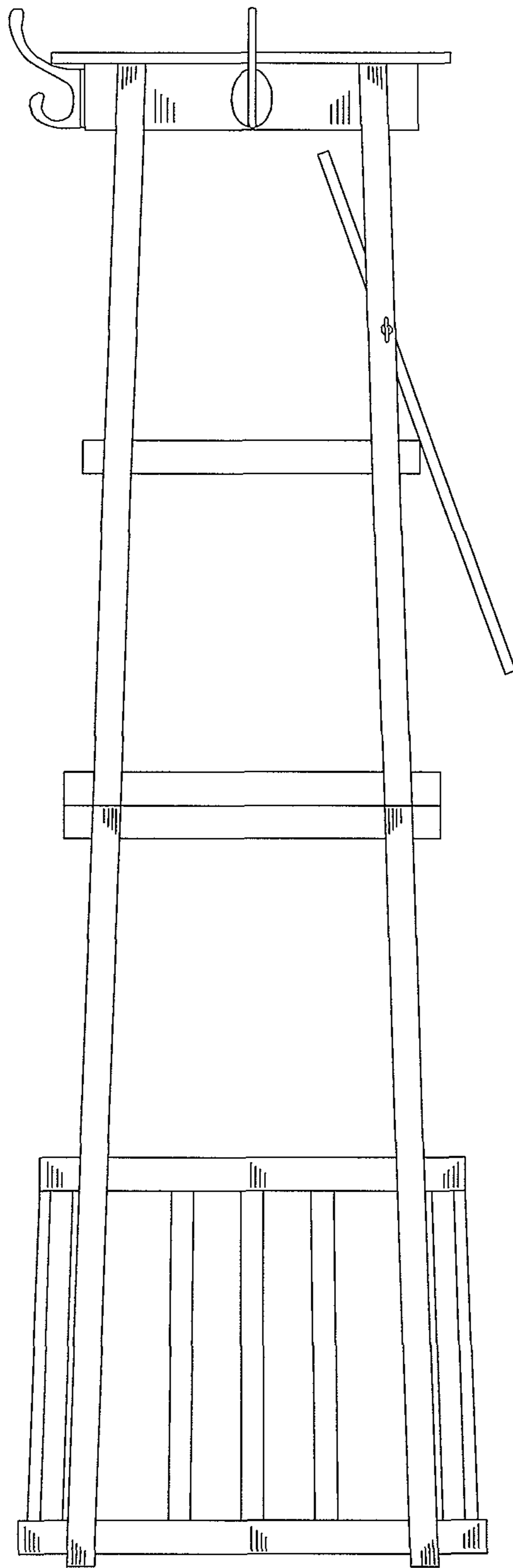


FIG. 4

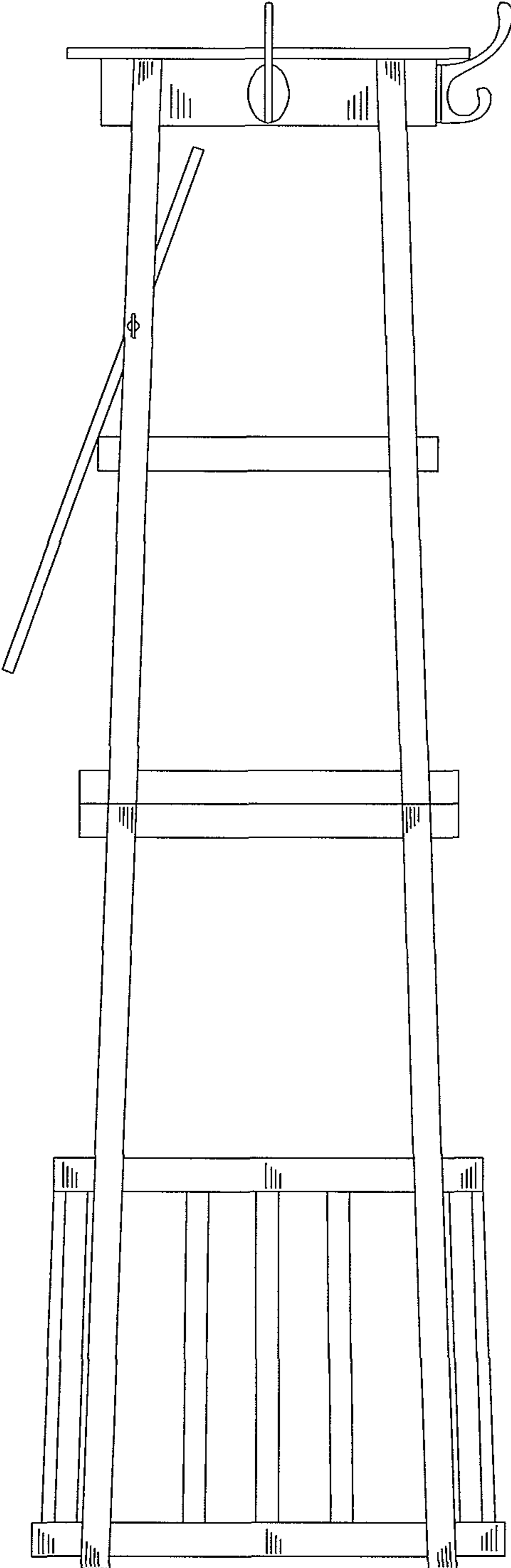


FIG. 5

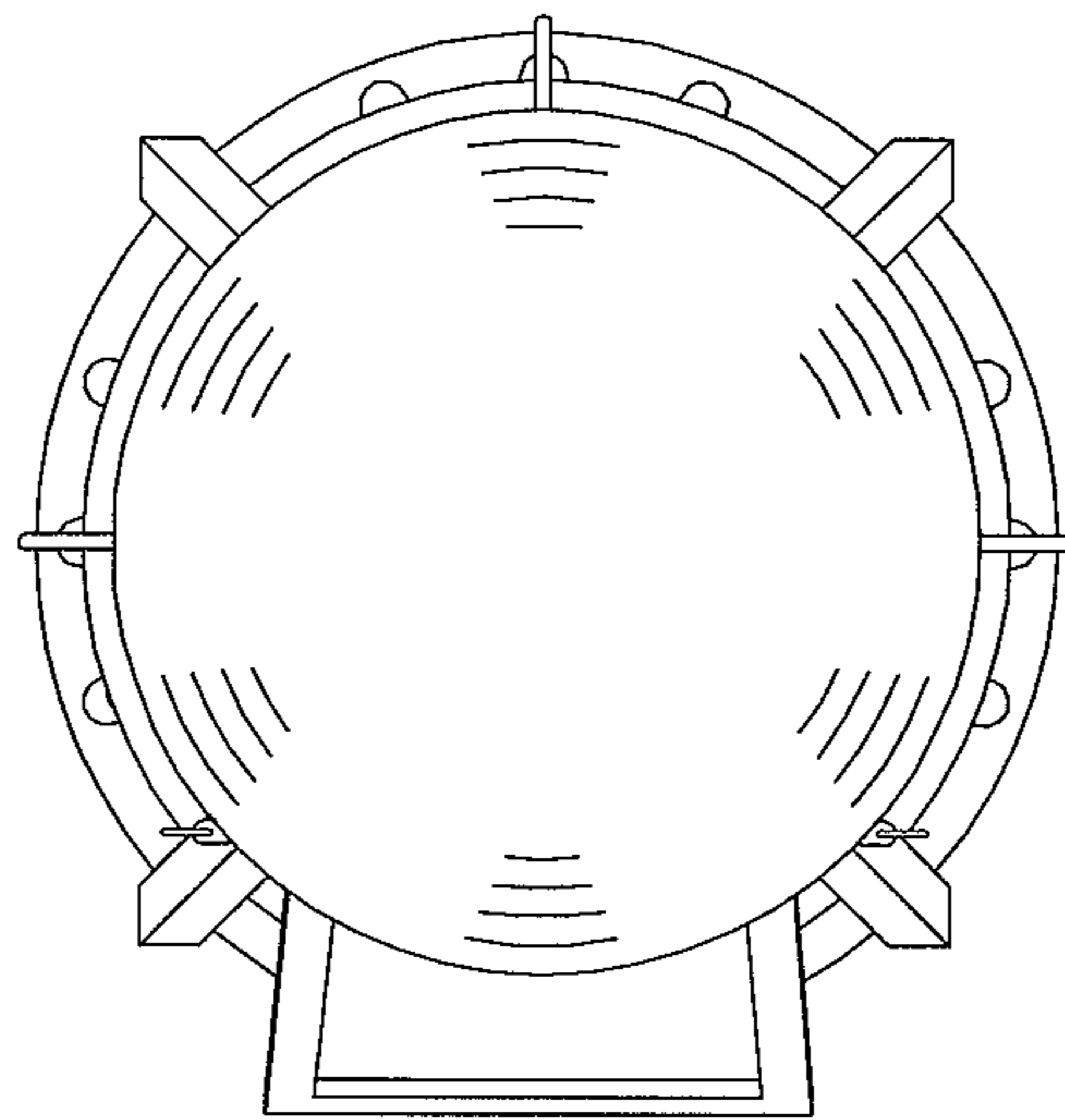


FIG. 6

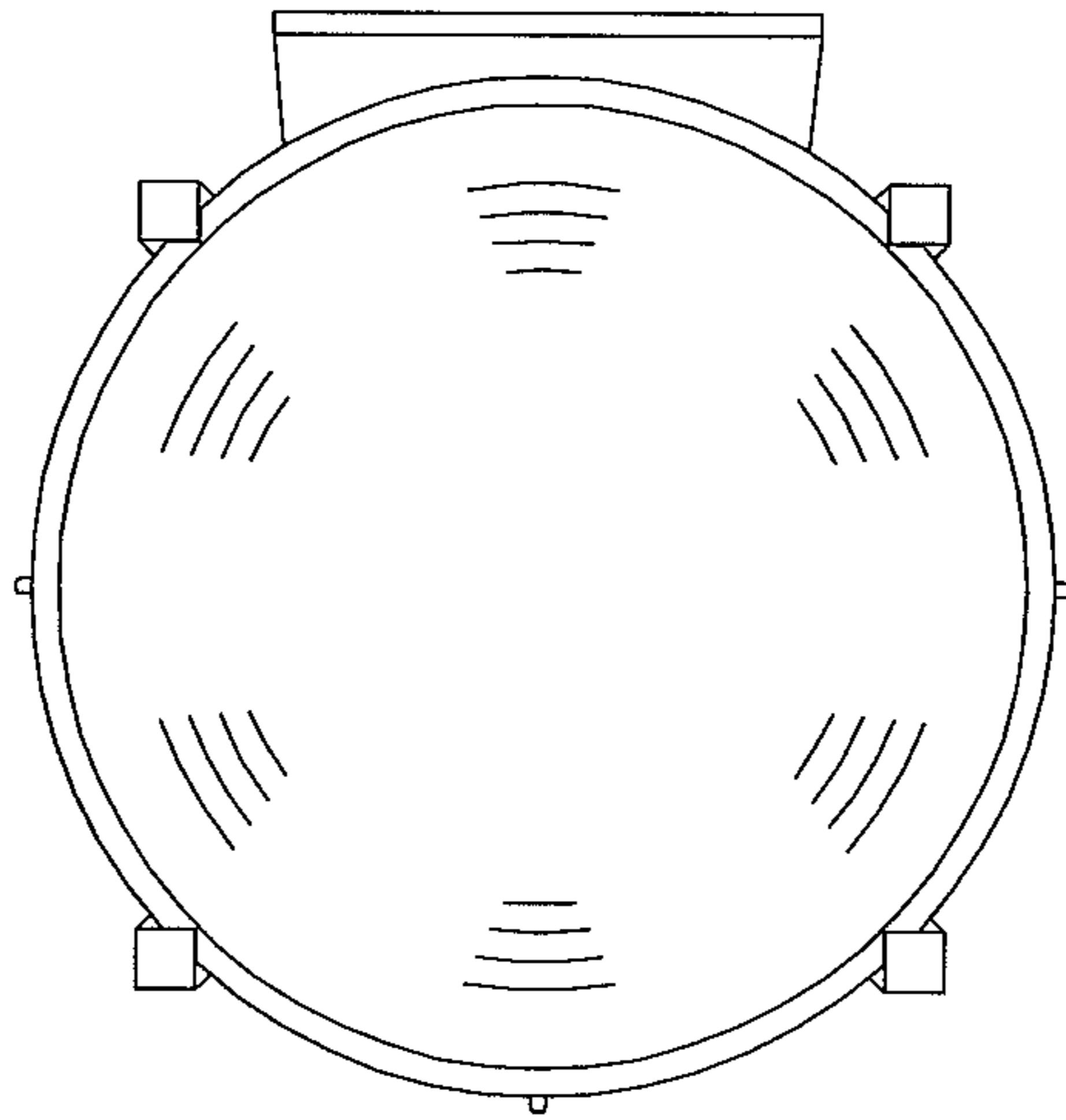


FIG. 7