



US00D714081S

(12) **United States Design Patent**
Simone

(10) **Patent No.:** **US D714,081 S**

(45) **Date of Patent:** **** Sep. 30, 2014**

(54) **DISPLAY STAND**

(71) Applicant: **Christopher Simone**, Port Washington, NY (US)

(72) Inventor: **Christopher Simone**, Port Washington, NY (US)

(**) Term: **14 Years**

(21) Appl. No.: **29/471,310**

(22) Filed: **Oct. 30, 2013**

D306,942 S *	4/1990	Patke	D6/463
6,089,387 A *	7/2000	Varfolomeeva	211/181.1
6,431,375 B2 *	8/2002	Spencer	211/106
D515,336 S *	2/2006	Sparkowski	D6/464
D524,573 S *	7/2006	Robinson et al.	D6/463
D573,369 S *	7/2008	Sparkowski	D6/463
D579,691 S *	11/2008	Snider	D6/463
D580,193 S *	11/2008	Sparkowski	D6/463
D679,922 S *	4/2013	Weigand	D6/675.2
D693,158 S *	11/2013	Jung et al.	D6/682.3
D699,986 S *	2/2014	Tsai	D6/675.4

* cited by examiner

Primary Examiner — Kelley Donnelly

Related U.S. Application Data

(63) Continuation of application No. 13/066,468, filed on Apr. 15, 2011, now abandoned.

(51) **LOC (10) Cl.** **06-06**

(52) **U.S. Cl.**
USPC **D6/675.4**

(58) **Field of Classification Search**
USPC D6/406, 462-465, 467-468, 476, 675, D6/675.1, 675.2, 675.3, 675.4; D34/21-22; 211/59.2, 74, 128, 49.1
See application file for complete search history.

(56) **References Cited**

U.S. PATENT DOCUMENTS

D162,397 S *	3/1951	Fink	D6/463
D162,990 S *	4/1951	Roeder	D6/463

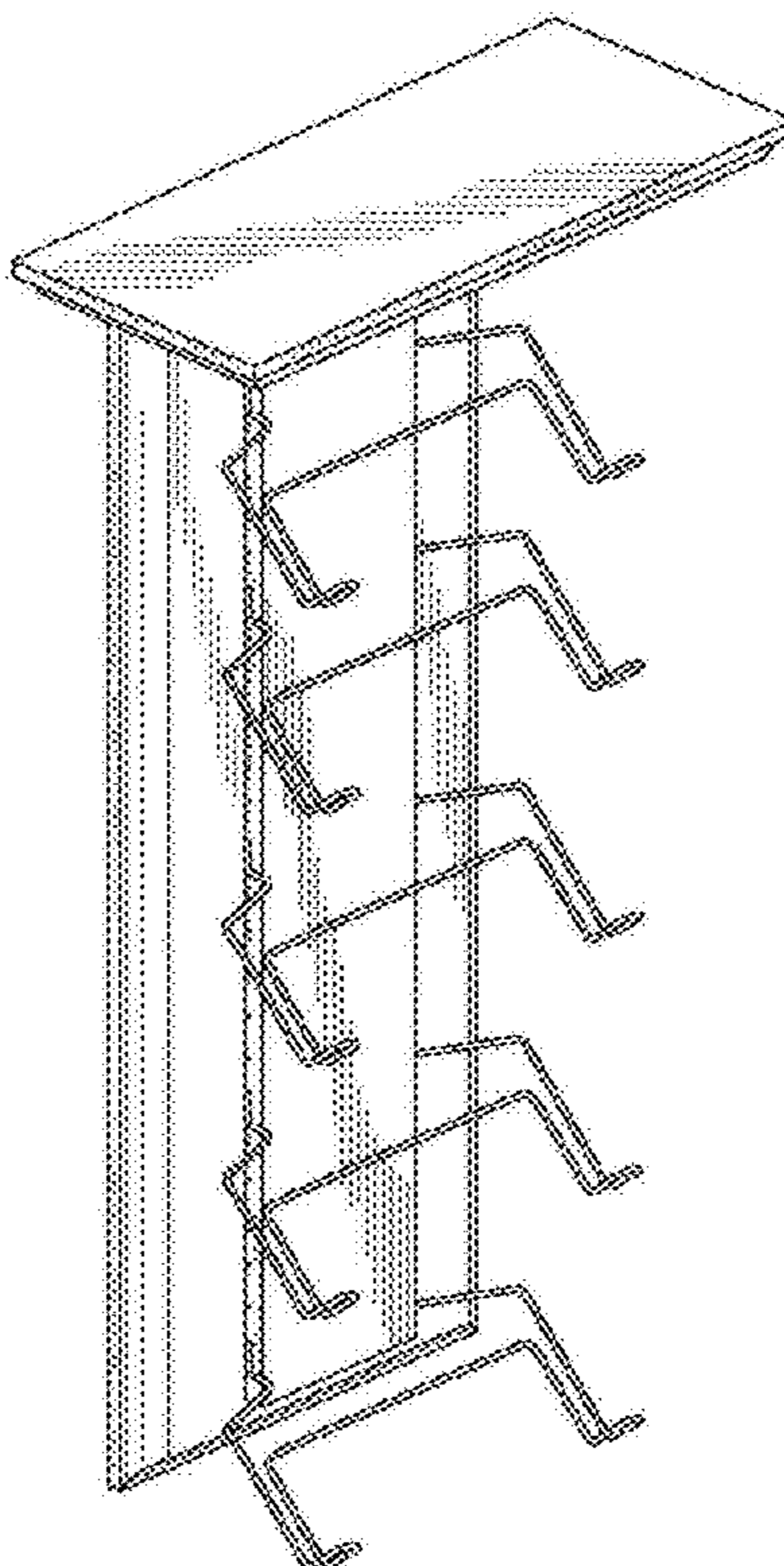
(57) **CLAIM**

The ornamental design for a display stand, as shown and described.

DESCRIPTION

FIG. 1 is a perspective view of a display stand showing my novel design;
FIG. 2 is a front view thereof;
FIG. 3 is a rear view thereof;
FIG. 4 is a right side view thereof;
FIG. 5 is a left side view thereof;
FIG. 6 is a top view thereof; and,
FIG. 7 is a bottom view thereof.

1 Claim, 5 Drawing Sheets



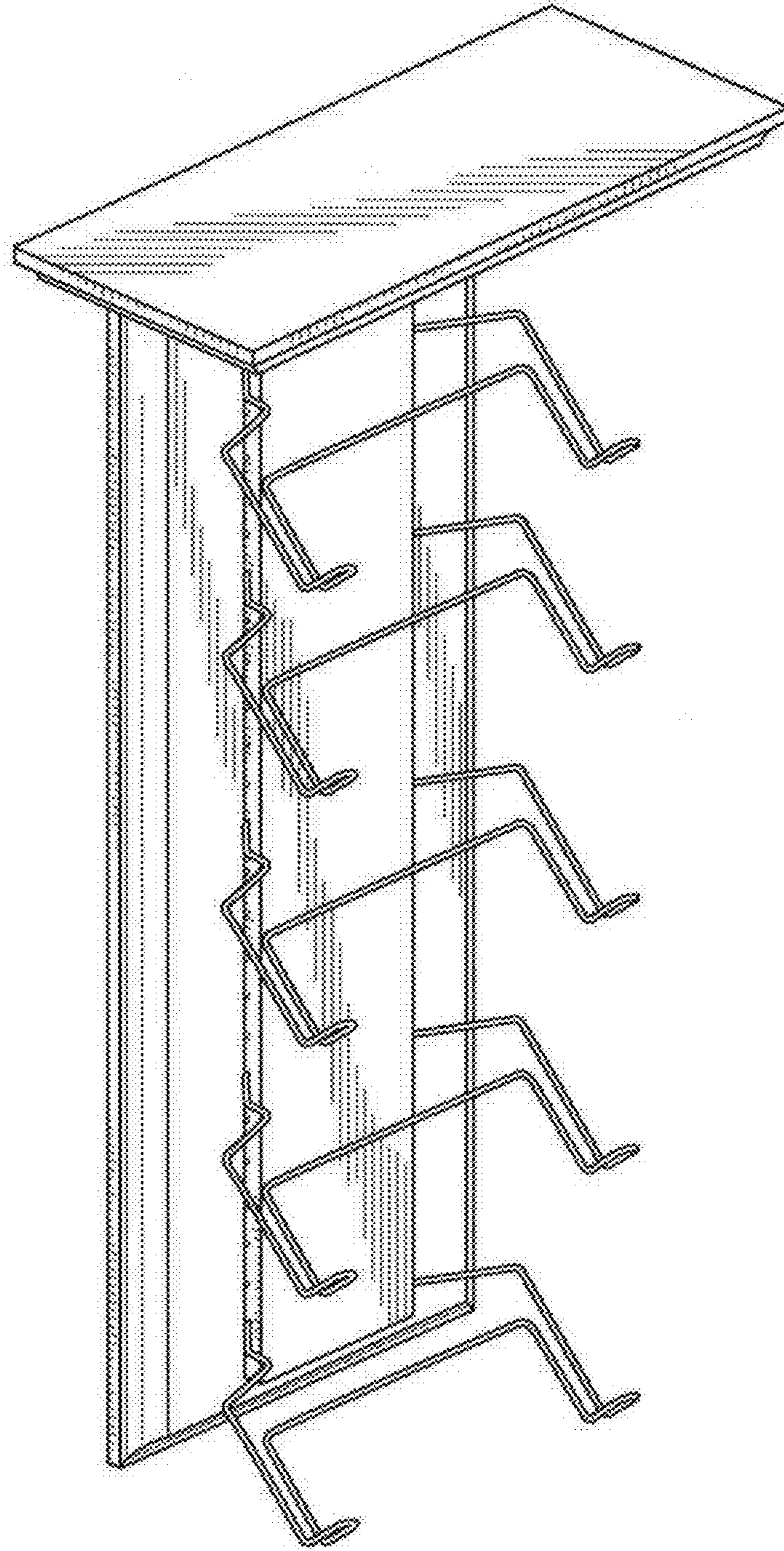


FIG. 1

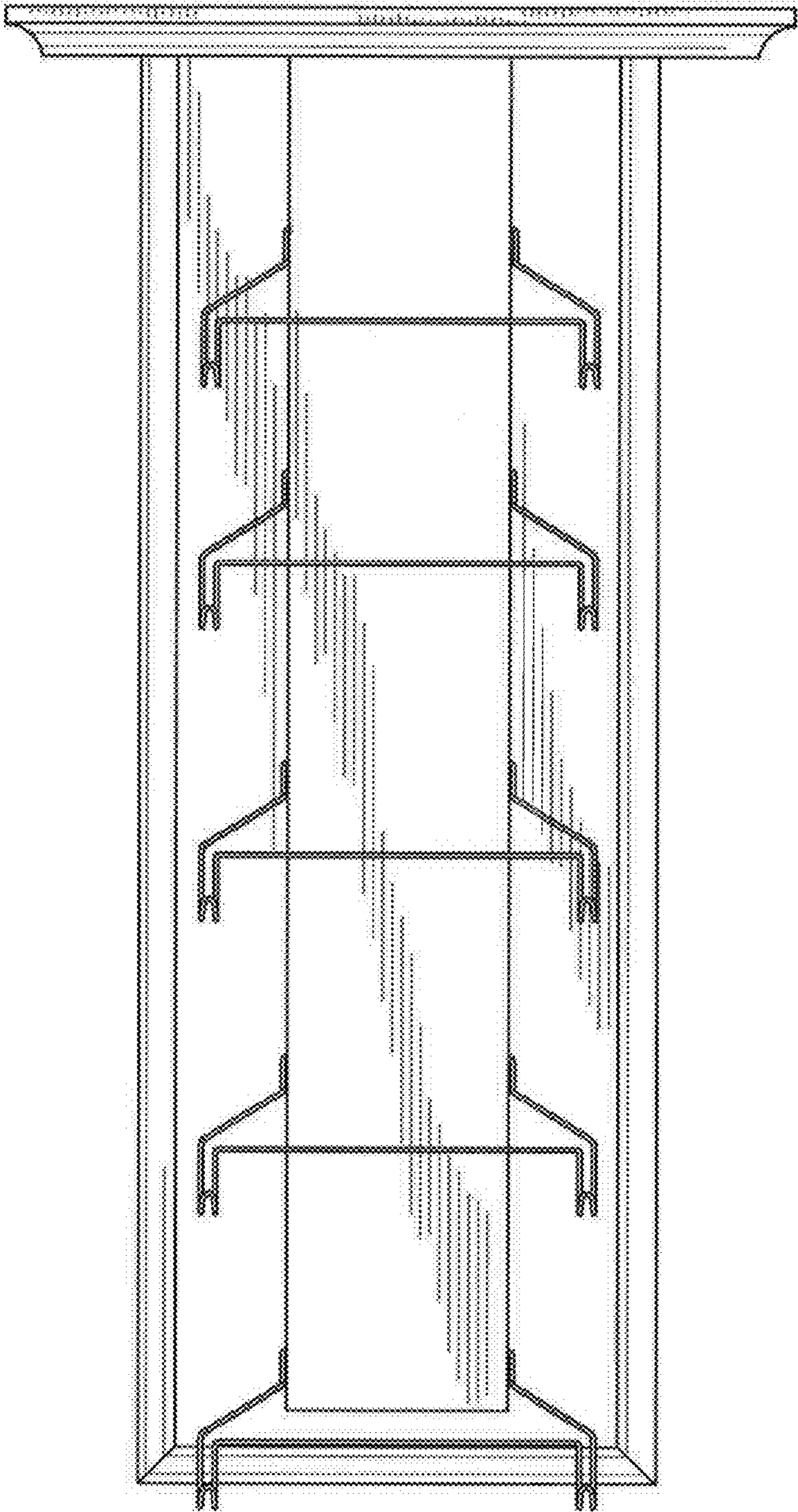


FIG. 2

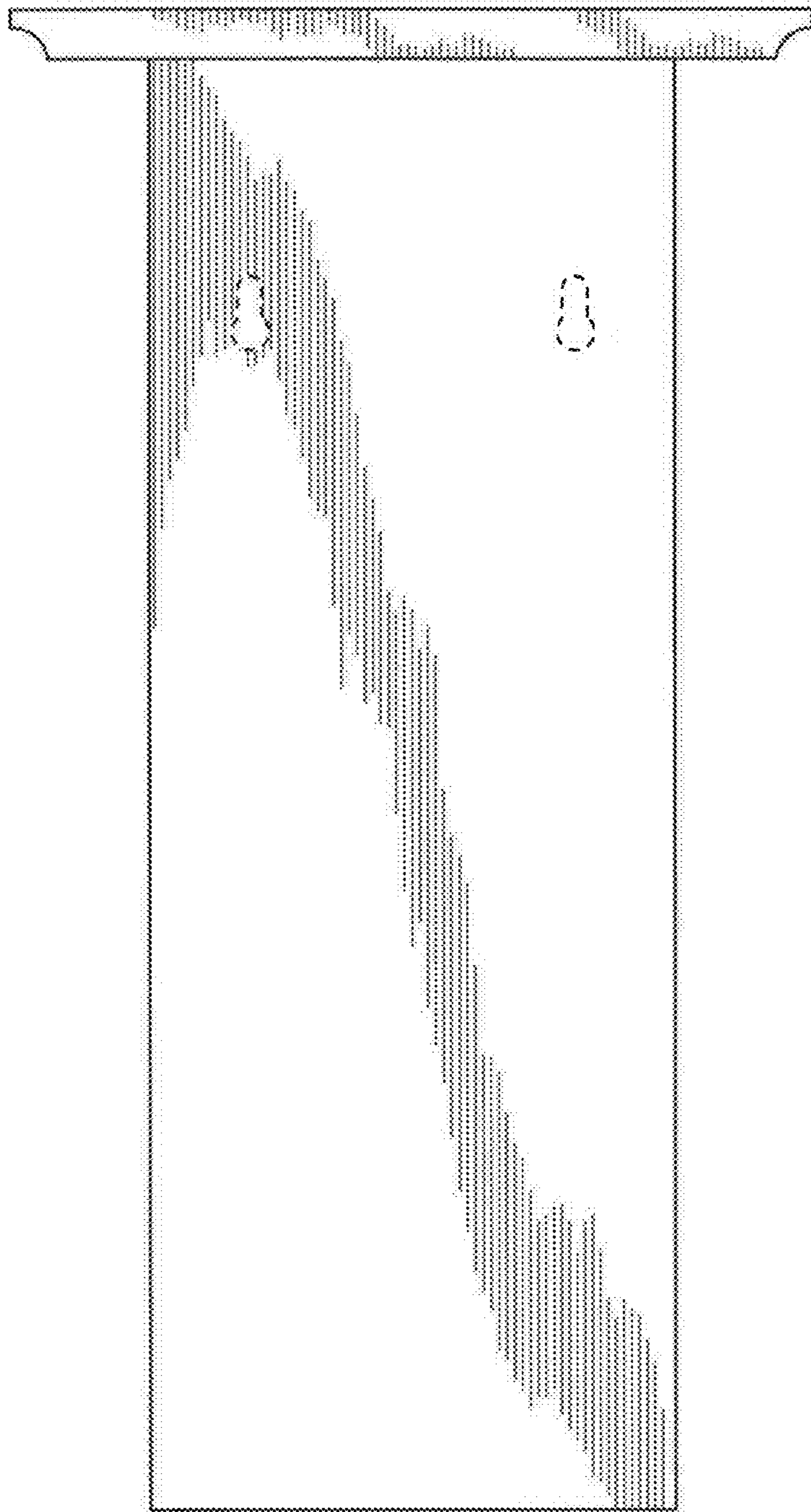


FIG. 3

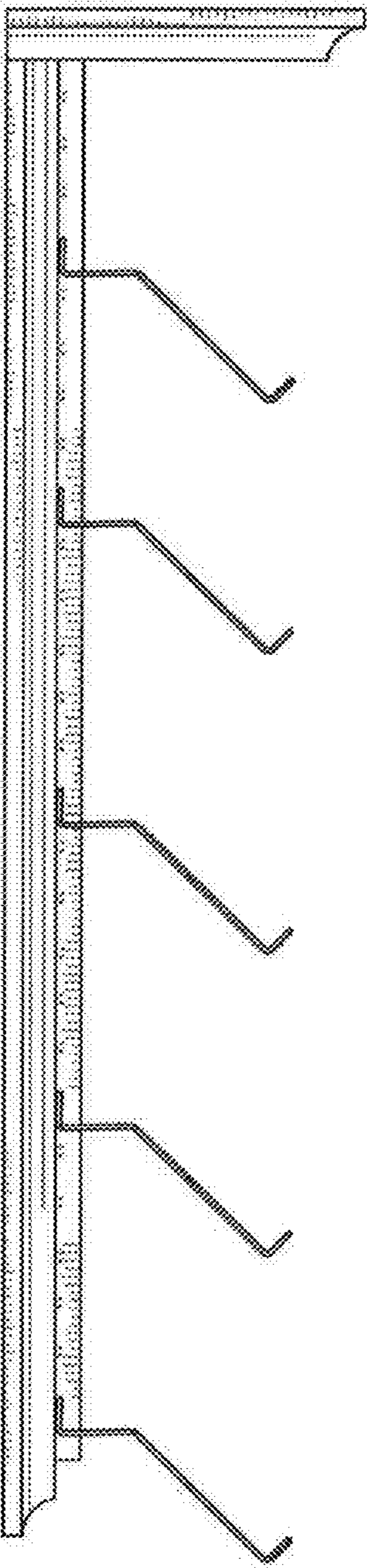


FIG. 4

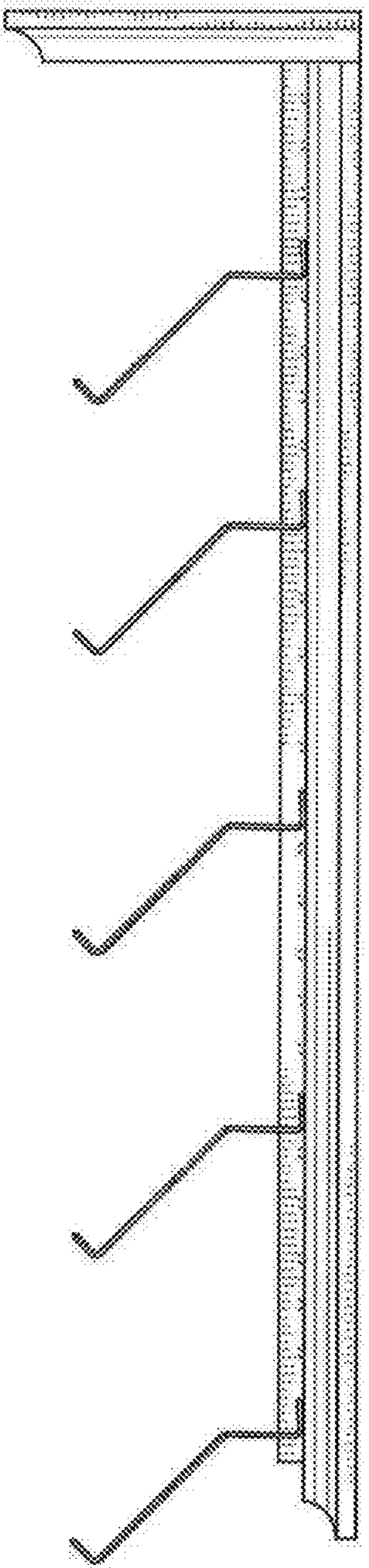


FIG. 5

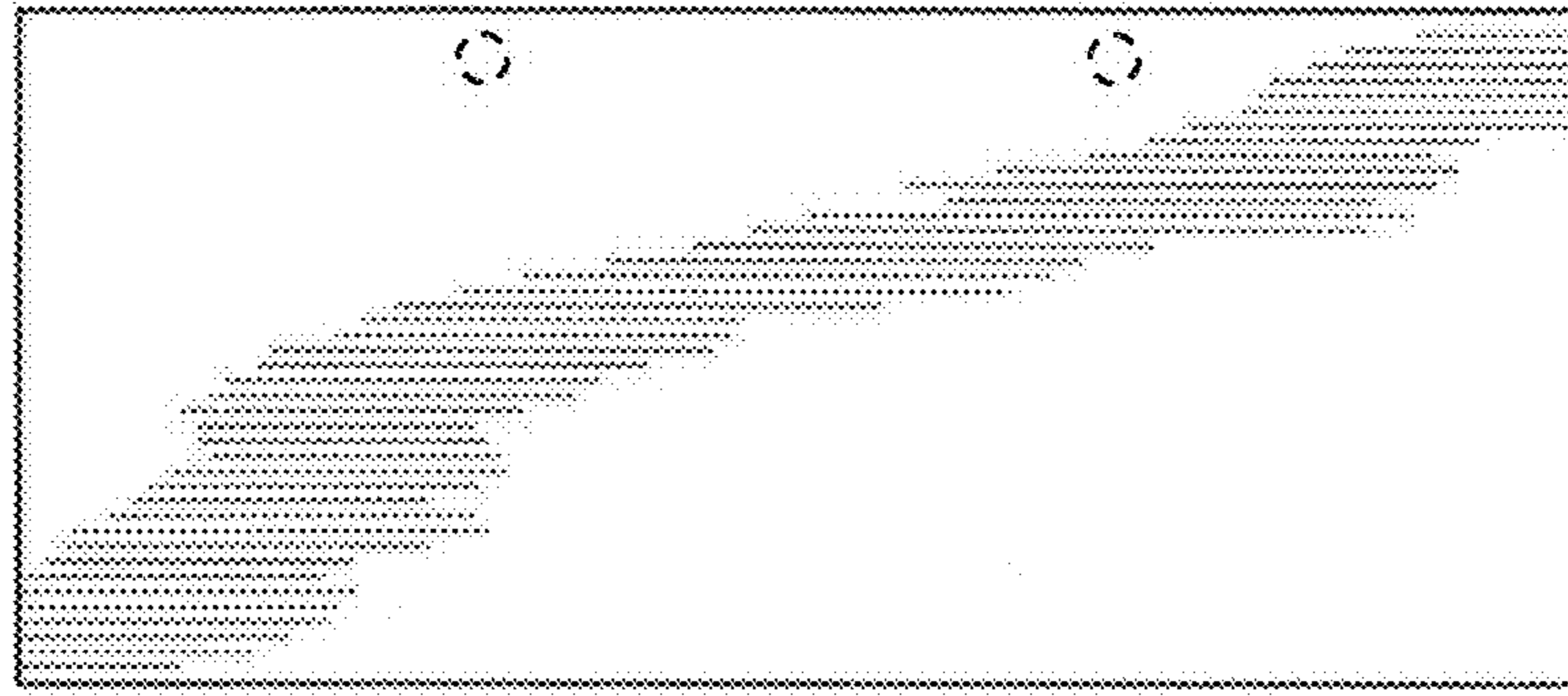


FIG. 6

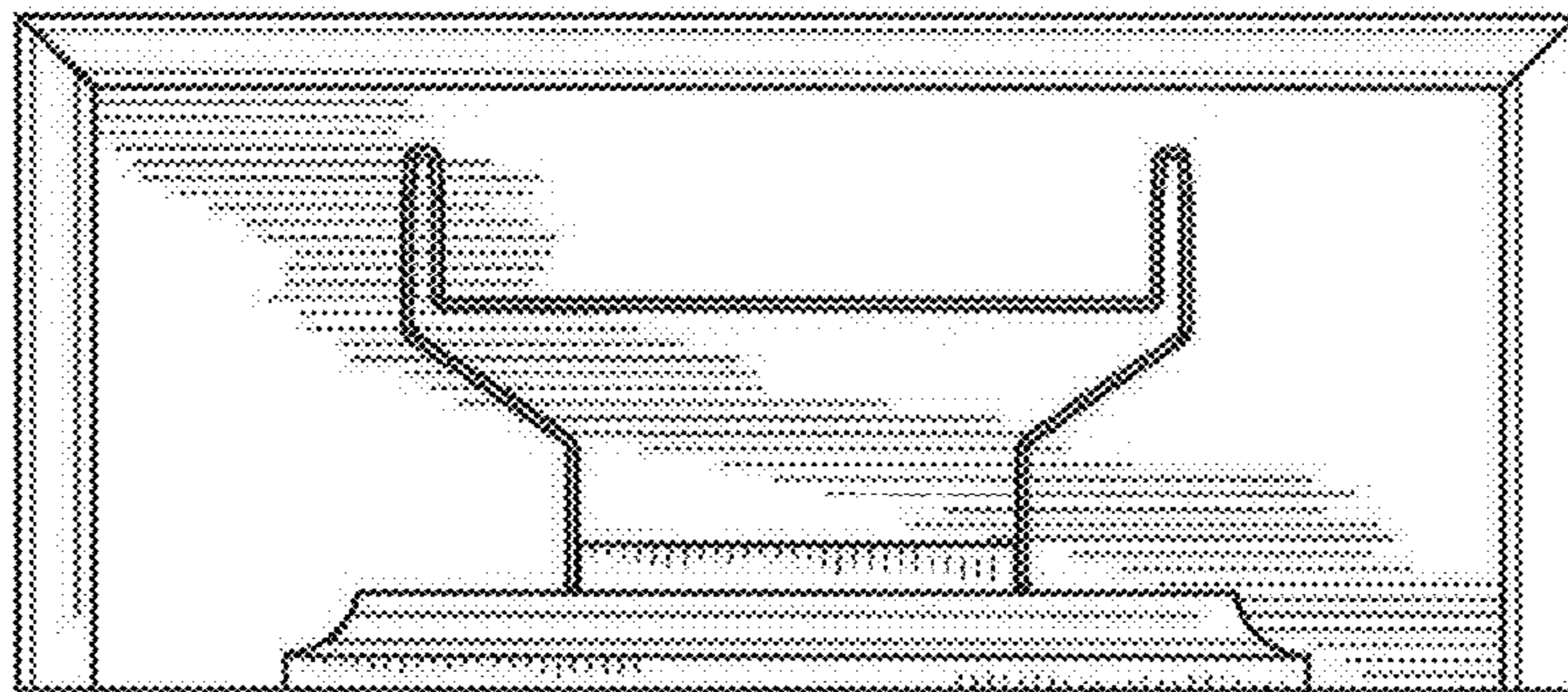


FIG. 7