

US00D714080S

(12) **United States Design Patent**
Wehner et al.

(10) **Patent No.:** **US D714,080 S**
(45) **Date of Patent:** **** *Sep. 30, 2014**

(54) **COLLAPSIBLE SHELVING UNIT**

(56)

References Cited

(71) Applicant: **Worldwide Creations, LLC**, Clio, MI (US)

U.S. PATENT DOCUMENTS

(72) Inventors: **Scott D. Wehner**, Mt. Morris, MI (US);
Zhou Xiao Jin, Linhai (CN)

63,735 A	4/1867	Loomis
RE3,710 E	11/1869	Stone
151,037 A	5/1874	Magee
156,842 A	11/1874	Duggan
218,680 A	8/1879	McCabe
418,827 A	1/1890	St. Marie
539,672 A	5/1895	Decker
610,602 A	9/1898	Doldt
694,172 A	2/1902	Moore
715,038 A	12/1902	Dunham
775,158 A	11/1904	Wenig
792,827 A	6/1905	Holbrook
818,304 A	4/1906	Shaw
867,558 A	10/1907	Carroll
931,702 A	8/1909	Otter
972,590 A	10/1910	Yates
1,018,338 A	2/1912	Pines
1,025,972 A	5/1912	Geisel
1,072,473 A	9/1913	Kindberg
1,095,391 A	5/1914	Fogle
1,106,418 A	8/1914	Sprunger
1,262,021 A	4/1918	Conroy
1,533,470 A	4/1925	Schmitt
1,597,265 A	8/1926	Cashiere

(73) Assignee: **Worldwide Creations, LLC**, Clio, MI (US)

(*) Notice: This patent is subject to a terminal disclaimer.

(**) Term: **14 Years**

(21) Appl. No.: **29/482,078**

(22) Filed: **Feb. 13, 2014**

Related U.S. Application Data

(63) Continuation of application No. 29/467,692, filed on Sep. 23, 2013, which is a continuation of application No. 13/630,213, filed on Sep. 28, 2012.

(30) **Foreign Application Priority Data**

Sep. 28, 2011 (CN) 2011-20371803

(51) **LOC (10) Cl.** **06-06**

(52) **U.S. Cl.**
USPC **D6/675.2**

(58) **Field of Classification Search**
USPC D6/396-397, 407, 429, 449, 455-457, D6/460-463, 465, 468, 474, 478-479, 509, D6/514, 675, 675.1, 675.2; 211/13.1, 41.1, 211/71.01, 85.3, 85.4, 59.2, 126.12, 126.1, 211/133.1

See application file for complete search history.

(Continued)

Primary Examiner — Kelley Donnelly

(74) *Attorney, Agent, or Firm* — Young Basile Hanlon & McFarlane P.C.

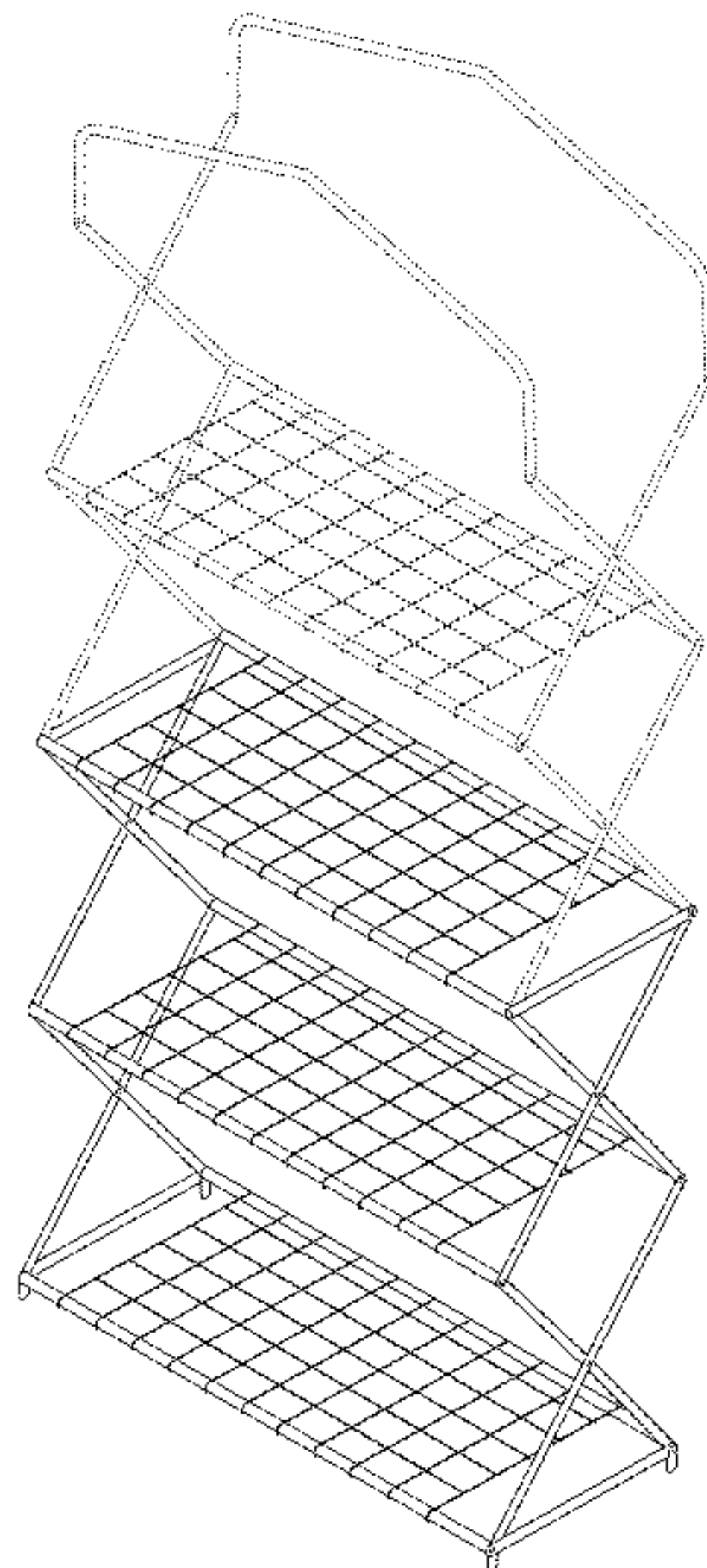
(57) **CLAIM**

The ornamental design for a collapsible shelving unit, as shown and described.

DESCRIPTION

FIG. 1 is a front perspective view of a collapsible shelving unit showing my new design; and, FIG. 2 is a side view thereof. The features shown in broken lines form no part of the design to be patented.

1 Claim, 2 Drawing Sheets



(56)

References Cited

U.S. PATENT DOCUMENTS

1,652,581 A	12/1927	Roberts	5,143,214 A	9/1992	Freeland et al.
1,708,113 A	4/1929	Allen	5,145,029 A	9/1992	Blasdell et al.
1,773,847 A	8/1930	Nickles	5,146,635 A	9/1992	Gastle et al.
1,912,425 A	6/1933	Baumer	5,163,262 A	11/1992	Adams
2,199,127 A	4/1940	Clearmond	5,622,415 A	4/1997	Felsenthal et al.
2,293,625 A	8/1942	Patch	5,660,002 A	8/1997	Lashingier
2,402,579 A	6/1946	Ross	5,671,766 A	9/1997	Williams
2,445,403 A	7/1948	Mayerman	D452,153 S	12/2001	Dardashti
2,523,682 A	9/1950	Corwin	6,427,858 B2	8/2002	Sabounjian
2,594,065 A	4/1952	O'Neill	6,561,107 B1 *	5/2003	Wood et al. 108/132
2,645,541 A	7/1953	Mintz et al.	6,840,182 B2	1/2005	Price
2,781,766 A	2/1957	Krieger	D501,738 S *	2/2005	Clucas D6/465
3,007,539 A	11/1961	Brewer et al.	7,063,035 B2	6/2006	Belcher
3,292,561 A	12/1966	Hoodis	D537,275 S	2/2007	Chang
3,375,624 A	4/1968	Mikulin	D570,438 S	6/2008	Adams
3,435,570 A	4/1969	Berry	D570,439 S	6/2008	Adams
3,509,891 A	5/1970	DeBolt	D597,342 S *	8/2009	Dickson D6/465
3,700,070 A	10/1972	King	D597,354 S *	8/2009	Liss D6/511
3,746,151 A	7/1973	Brophy et al.	D626,356 S *	11/2010	Ho D6/465
3,796,282 A	3/1974	Denier et al.	D640,798 S	6/2011	Rassat
4,070,807 A	1/1978	Smith, Jr.	D650,542 S *	12/2011	Kontorovich et al. D32/58
4,088,203 A	5/1978	Smith, Jr.	8,371,088 B2	2/2013	Merrifield
4,130,178 A	12/1978	Smith, Jr.	D683,983 S *	6/2013	Troyner et al. D6/675.2
4,131,205 A	12/1978	Malecki	D693,608 S *	11/2013	Cheng D6/675.1
4,138,952 A	2/1979	Hodson	8,590,716 B2	11/2013	Behjat
D276,466 S	11/1984	Giovagnoli	8,616,328 B2	12/2013	Daraio et al.
4,635,729 A	1/1987	Harmathy	8,651,295 B2 *	2/2014	Lim 211/134
4,828,123 A	5/1989	Basore	2001/0001199 A1	5/2001	Sabounjian
D304,981 S	12/1989	Raskas	2004/0074858 A1	4/2004	Thuma et al.
4,974,525 A	12/1990	Sheffield	2005/0211652 A1	9/2005	Li
D318,767 S	8/1991	Schneider et al.	2006/0055289 A1	3/2006	Wu
D327,189 S	6/1992	McPherson et al.	2007/0138119 A1	6/2007	Schwerdlin
			2007/0221598 A1	9/2007	Sabounjian
			2012/0204770 A1	8/2012	Grace

* cited by examiner

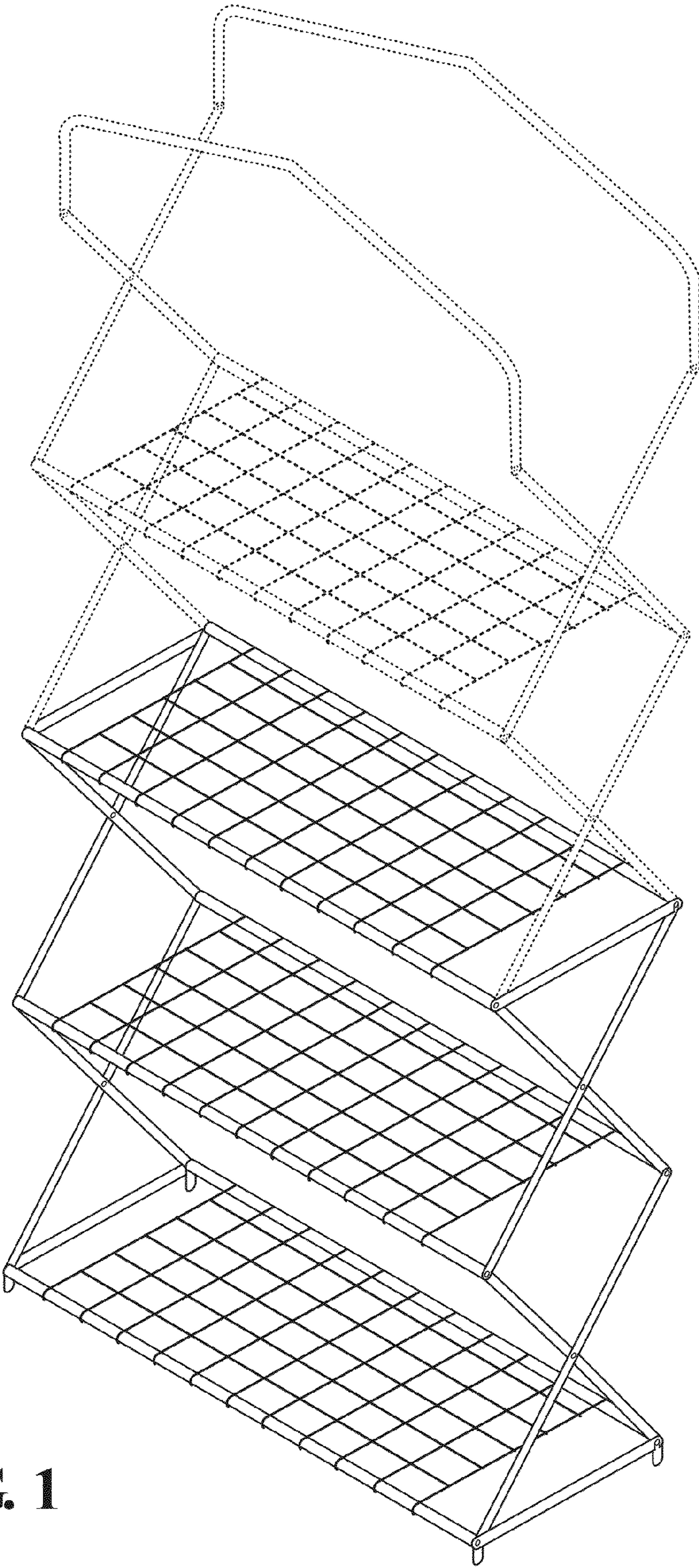


FIG. 1

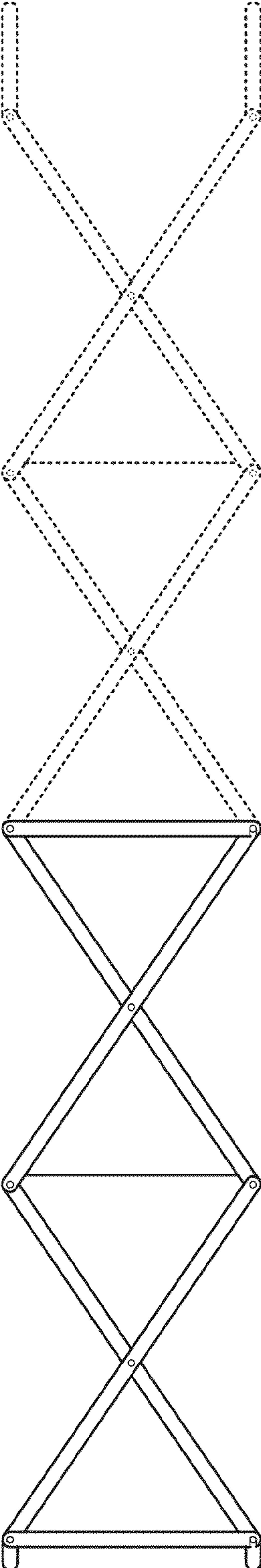


FIG. 2