



US00D714079S

(12) **United States Design Patent**
Wehner et al.

(10) **Patent No.:** **US D714,079 S**
(45) **Date of Patent:** **** *Sep. 30, 2014**

- (54) **COLLAPSIBLE SHELVING UNIT**
- (71) Applicant: **Worldwide Creations, LLC**, Clio, MI (US)
- (72) Inventors: **Scott D. Wehner**, Mt. Morris, MI (US); **Zhou Xiao Jin**, Linhai (CN)
- (73) Assignee: **Worldwide Creations, LLC**, Clio, MI (US)
- (*) Notice: This patent is subject to a terminal disclaimer.
- (**) Term: **14 Years**
- (21) Appl. No.: **29/482,074**
- (22) Filed: **Feb. 13, 2014**

- 156,842 A 11/1874 Duggan
- 218,680 A 8/1879 McCabe
- 418,827 A 1/1890 St. Marie
- 539,672 A 5/1895 Decker
- 610,602 A 9/1898 Doldt
- 694,172 A 2/1902 Moore
- 715,038 A 12/1902 Dunham
- 775,158 A 11/1904 Wenig
- 792,827 A 6/1905 Holbrook
- 818,304 A 4/1906 Shaw
- 867,558 A 10/1907 Carroll
- 931,702 A 8/1909 Otter
- 972,590 A 10/1910 Yates
- 1,018,338 A 2/1912 Pines
- 1,025,972 A 5/1912 Geisel
- 1,072,473 A 9/1913 Kindberg
- 1,095,391 A 5/1914 Fogle
- 1,106,418 A 8/1914 Sprunger
- 1,262,021 A 4/1918 Conroy
- 1,533,470 A 4/1925 Schmitt
- 1,597,265 A 8/1926 Cashiere
- 1,652,581 A 12/1927 Roberts
- 1,708,113 A 4/1929 Allen
- 1,773,847 A 8/1930 Nickles
- 1,912,425 A 6/1933 Baumer

Related U.S. Application Data

- (63) Continuation of application No. 29/467,692, filed on Sep. 23, 2013, which is a continuation of application No. 13/630,213, filed on Sep. 28, 2012.

(51) **LOC (10) Cl.** **06-06**

(52) **U.S. Cl.**
USPC **D6/675.2**

(58) **Field of Classification Search**
USPC D6/396-397, 407, 429, 449, 455-457, D6/460-463, 465, 468, 474, 478-479, 509, D6/514, 675, 675.1, 675.2; 211/13.1, 41.1, 211/71.01, 85.3, 85.4, 59.2, 126.12, 126.1, 211/133.1

See application file for complete search history.

(56) **References Cited**

U.S. PATENT DOCUMENTS

- 63,735 A 4/1867 Loomis
- RE3,710 E 11/1869 Stone
- 151,037 A 5/1874 Magee

(Continued)

Primary Examiner — Kelley Donnelly

(74) *Attorney, Agent, or Firm* — Young Basile Hanlon & MacFarlane P.C.

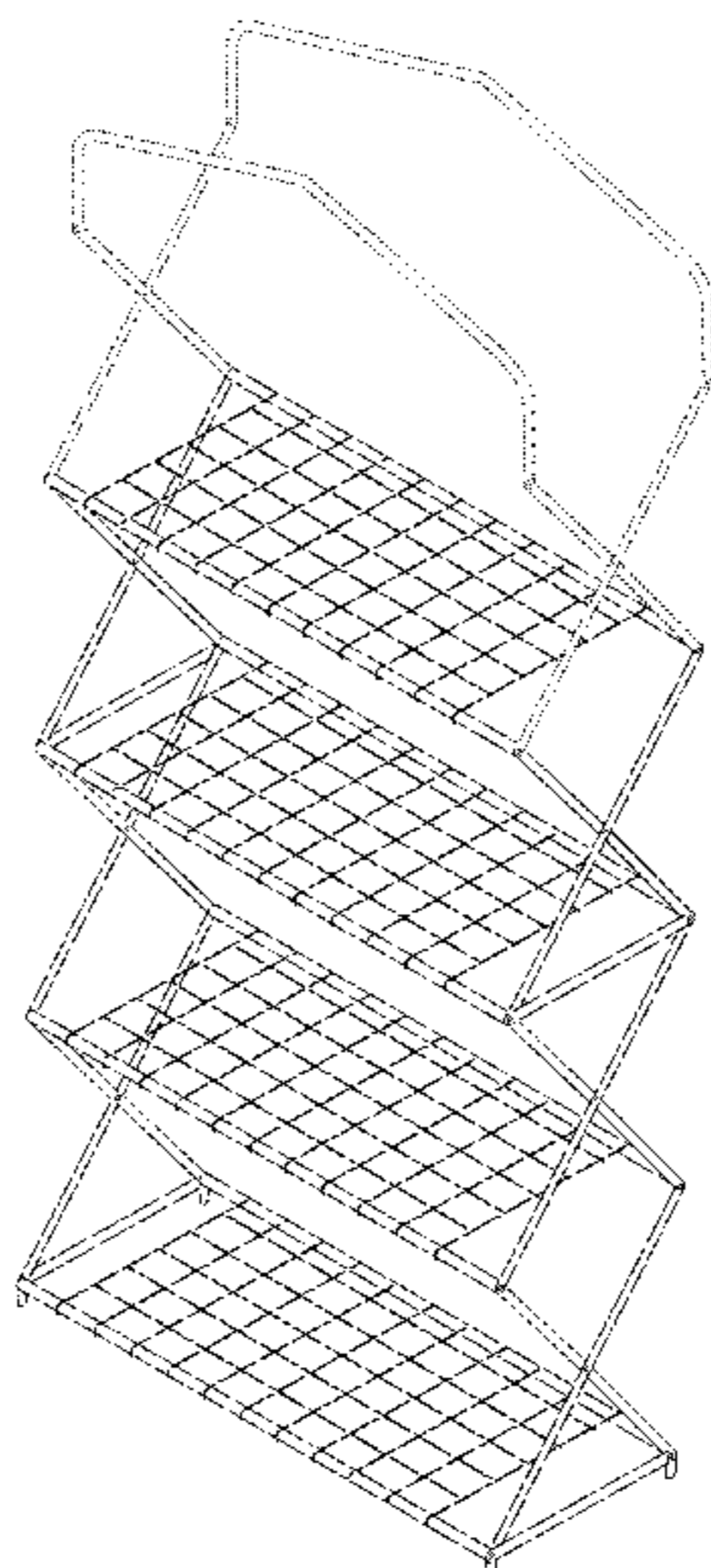
(57) **CLAIM**

The ornamental design for a collapsible shelving unit, as shown and described.

DESCRIPTION

FIG. 1 is a front perspective view of a collapsible shelving unit showing my new design; and, FIG. 2 is a side view thereof. The features shown in broken lines form no part of the design to be patented.

1 Claim, 2 Drawing Sheets



(56)

References Cited

U.S. PATENT DOCUMENTS

2,199,127 A	4/1940	Clearmond	5,146,635 A	9/1992	Gastle et al.
2,293,625 A	8/1942	Patch	5,163,262 A	11/1992	Adams
2,402,579 A	6/1946	Ross	5,622,415 A	4/1997	Felsenthal et al.
2,445,403 A	7/1948	Mayerman	5,660,002 A	8/1997	Lashinger
2,523,682 A	9/1950	Corwin	5,671,766 A	9/1997	Williams
2,594,065 A	4/1952	O'Neill	D452,153 S	12/2001	Dardashti
2,645,541 A	7/1953	Mintz et al.	6,427,858 B2	8/2002	Sabounjian
2,781,766 A	2/1957	Krieger	6,561,107 B1 *	5/2003	Wood et al. 108/132
3,007,539 A	11/1961	Brewer et al.	6,840,182 B2	1/2005	Price
3,292,561 A	12/1966	Hoodis	D501,738 S *	2/2005	Clucas D6/465
3,375,624 A	4/1968	Mikulin	7,063,035 B2	6/2006	Belcher
3,435,570 A	4/1969	Berry	D537,275 S	2/2007	Chang
3,509,891 A	5/1970	DeBolt	D570,438 S	6/2008	Adams
3,700,070 A	10/1972	King	D570,439 S	6/2008	Adams
3,746,151 A	7/1973	Brophy et al.	D597,342 S *	8/2009	Dickson D6/465
3,796,282 A	3/1974	Denier et al.	D597,354 S *	8/2009	Liss D6/511
4,070,807 A	1/1978	Smith, Jr.	D626,356 S *	11/2010	Ho D6/465
4,088,203 A	5/1978	Smith, Jr.	D640,798 S	6/2011	Rassat
4,130,178 A	12/1978	Smith, Jr.	D650,542 S *	12/2011	Kontorovich et al. D32/58
4,131,205 A	12/1978	Malecki	8,371,088 B2	2/2013	Merrifield
4,138,952 A	2/1979	Hodson	D683,983 S *	6/2013	Troyner et al. D6/675.2
D276,466 S	11/1984	Giovagnoli	D693,608 S *	11/2013	Cheng D6/675.1
4,635,729 A	1/1987	Harmathy	8,590,716 B2	11/2013	Behjat
4,828,123 A	5/1989	Basore	8,616,328 B2	12/2013	Daraio et al.
D304,981 S	12/1989	Raskas	8,651,295 B2 *	2/2014	Lim 211/134
4,974,525 A	12/1990	Sheffield	2001/0001199 A1	5/2001	Sabounjian
D318,767 S	8/1991	Schneider et al.	2004/0074858 A1	4/2004	Thuma et al.
D327,189 S	6/1992	McPherson et al.	2005/0211652 A1	9/2005	Li
5,143,214 A	9/1992	Frelander et al.	2006/0055289 A1	3/2006	Wu
5,145,029 A	9/1992	Blasdell et al.	2007/0138119 A1	6/2007	Schwerdlin
			2007/0221598 A1	9/2007	Sabounjian
			2012/0204770 A1	8/2012	Grace

* cited by examiner

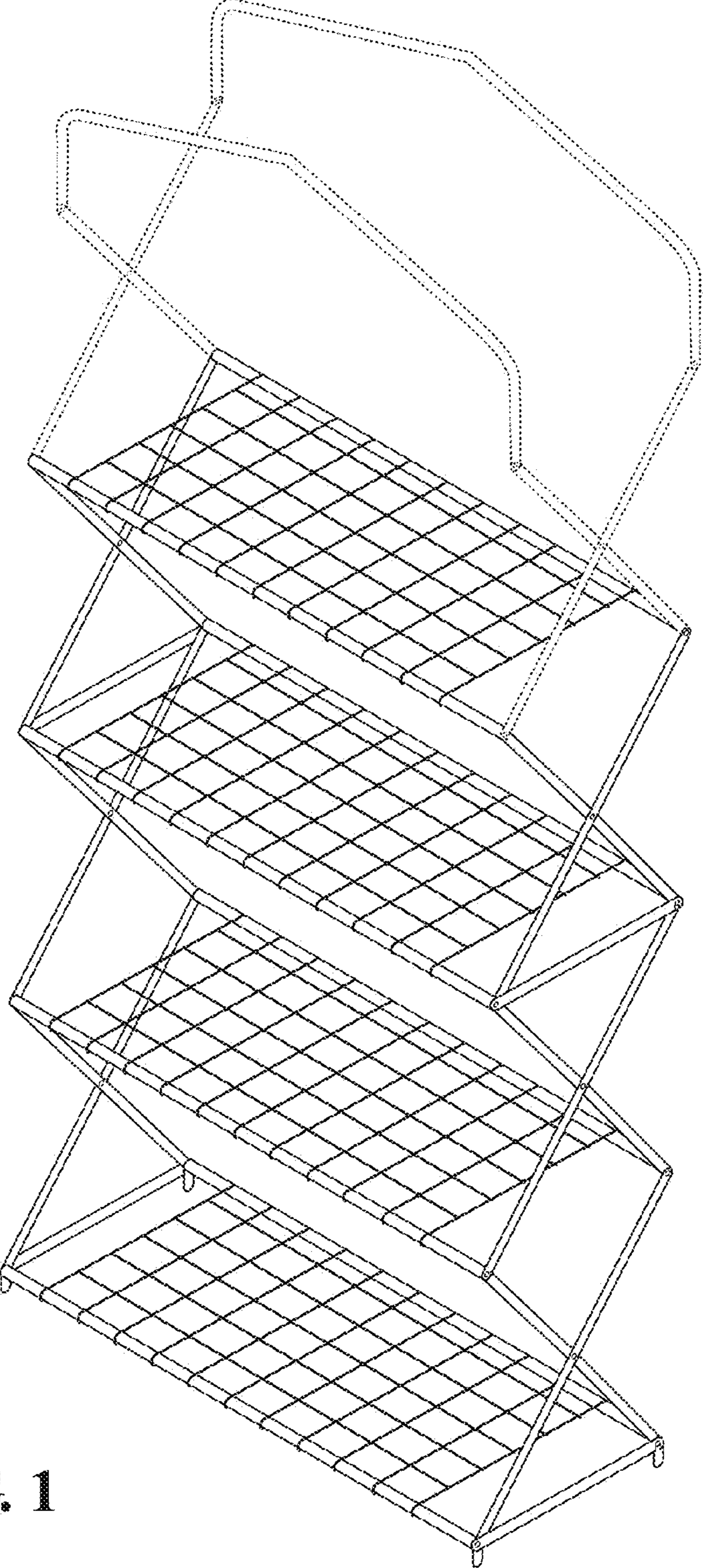


FIG. 1

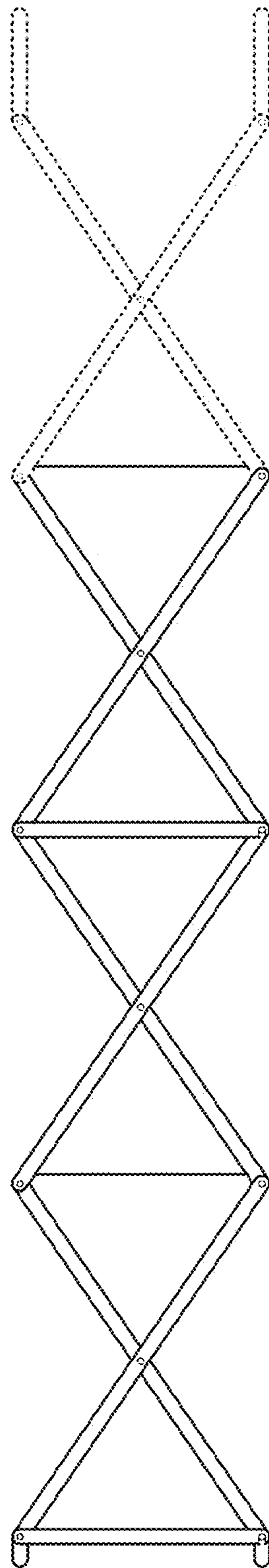


FIG. 2