

US00D714077S

(12) **United States Design Patent**  
**Mun**

(10) **Patent No.:** **US D714,077 S**  
(45) **Date of Patent:** **\*\* Sep. 30, 2014**

(54) **CONVERTIBLE FITTED/FLAT BED SHEET**

3,694,832 A \* 10/1972 Jamison ..... 5/497  
4,040,133 A \* 8/1977 Gilreath ..... 5/669  
4,045,832 A \* 9/1977 DiForti et al. .... 5/496

(71) Applicant: **Yong C. Mun**, Henderson, NV (US)

\* cited by examiner

(72) Inventor: **Yong C. Mun**, Henderson, NV (US)

*Primary Examiner* — Janice Seeger

(\*\*) Term: **14 Years**

(74) *Attorney, Agent, or Firm* — QuickPatents; Kevin Prince

(21) Appl. No.: **29/493,007**

(57) **CLAIM**

(22) Filed: **Jun. 4, 2014**

I claim the ornamental design for a convertible fitted/flat bed sheet, as shown and described.

**Related U.S. Application Data**

**DESCRIPTION**

(62) Division of application No. 29/485,948, filed on Mar. 25, 2014, now Pat. No. Des. 708,869.

(51) **LOC (10) Cl.** ..... **06-09**

(52) **U.S. Cl.**  
USPC ..... **D6/602**

(58) **Field of Classification Search**  
USPC ..... D6/595, 596, 602, 603, 605; 5/482,  
5/494-497, 499, 501  
See application file for complete search history.

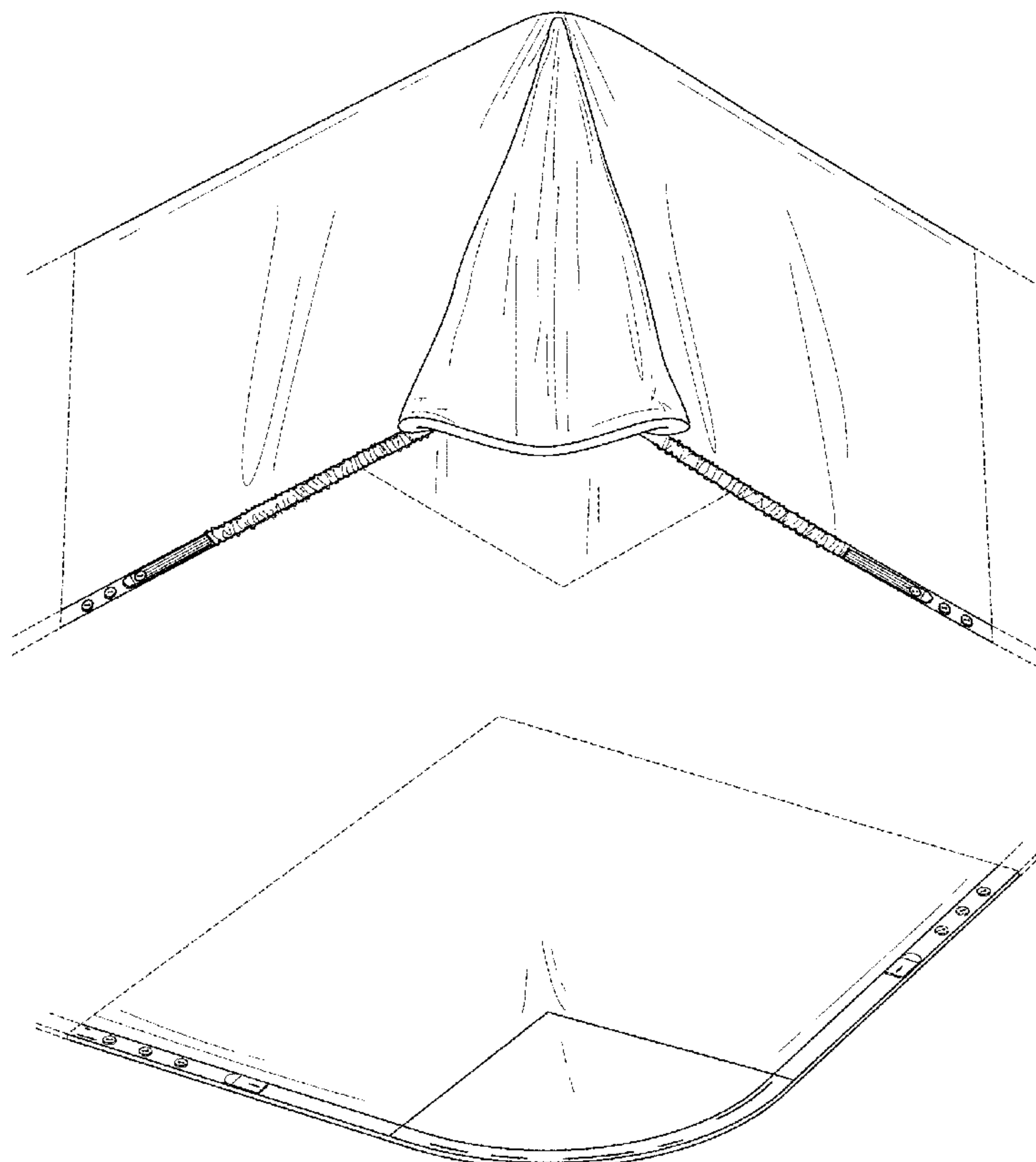
FIG. 1 is a bottom front perspective view of my design, illustrated in a fitted-sheet configuration;  
FIG. 2 is a top front perspective view thereof, illustrated in a flat-sheet configuration;  
FIG. 3 is a bottom front perspective view of FIG. 2;  
FIG. 4 is a top plan view of FIG. 2;  
FIG. 5 is a bottom plan view of FIG. 2;  
FIG. 6 is a front elevational view of FIG. 2, the left-side elevational view being a mirror image thereof; and,  
FIG. 7 is a rear elevational view of FIG. 2, the right-side elevational view being a mirror image thereof.  
The broken lines showing additional portions of the convertible bed sheet in the drawings form no part of the claimed design.

(56) **References Cited**

**U.S. PATENT DOCUMENTS**

1,327,824 A \* 1/1920 Holland ..... 5/497  
2,598,141 A \* 5/1952 Simpson ..... 5/497  
2,682,062 A \* 6/1954 Cogan ..... 5/496  
3,381,320 A \* 5/1968 Mott ..... 5/658

**1 Claim, 2 Drawing Sheets**



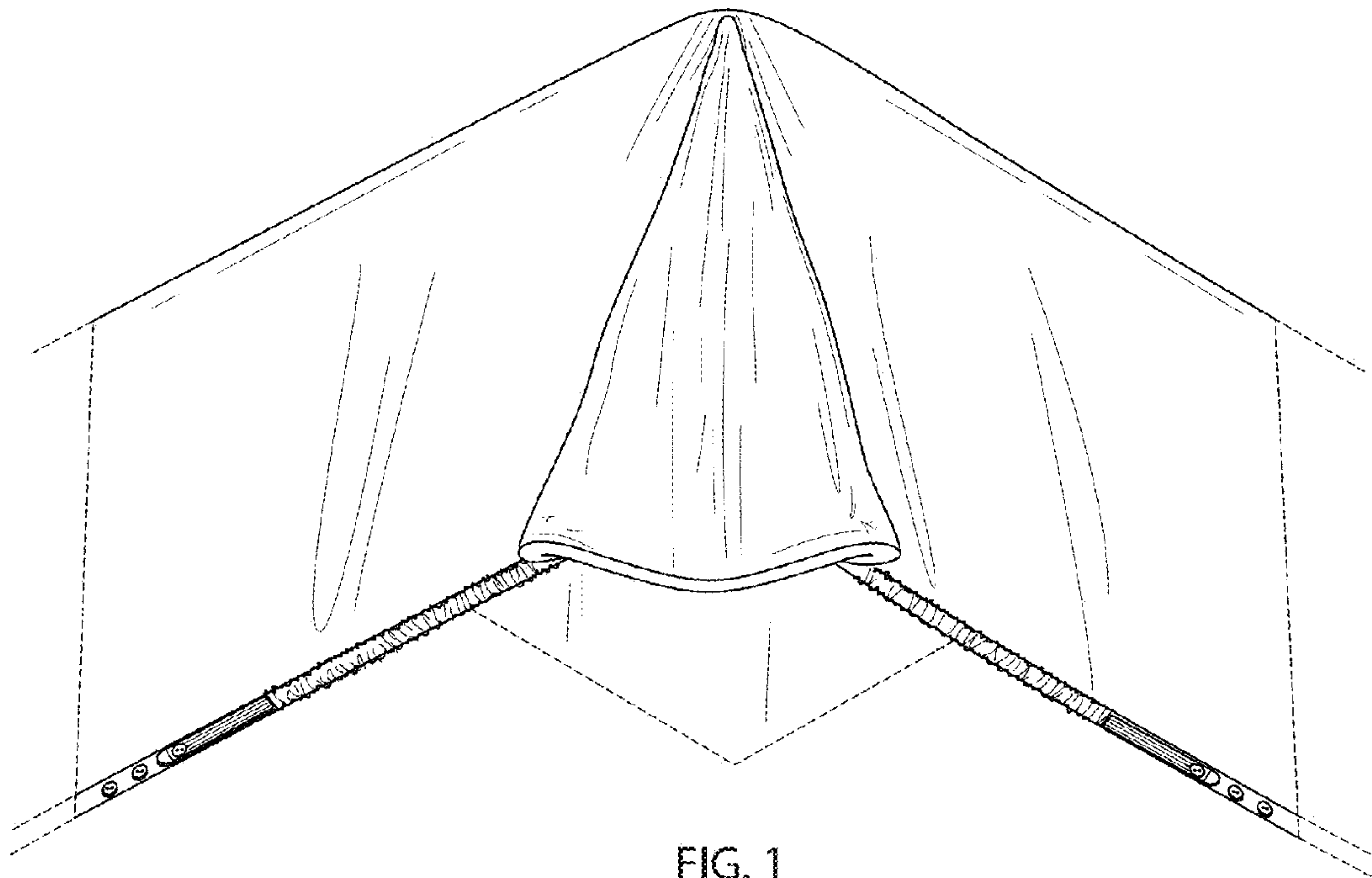


FIG. 1

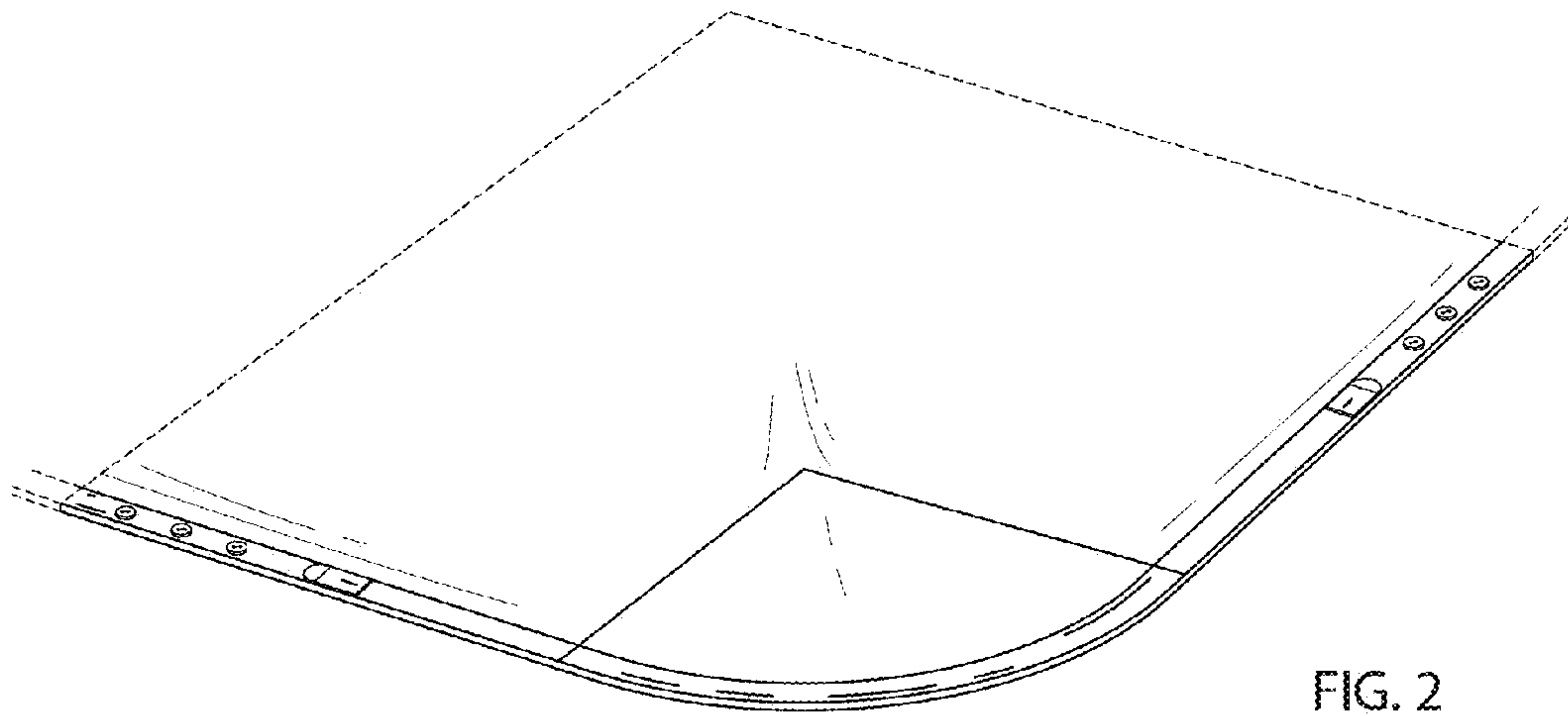


FIG. 2

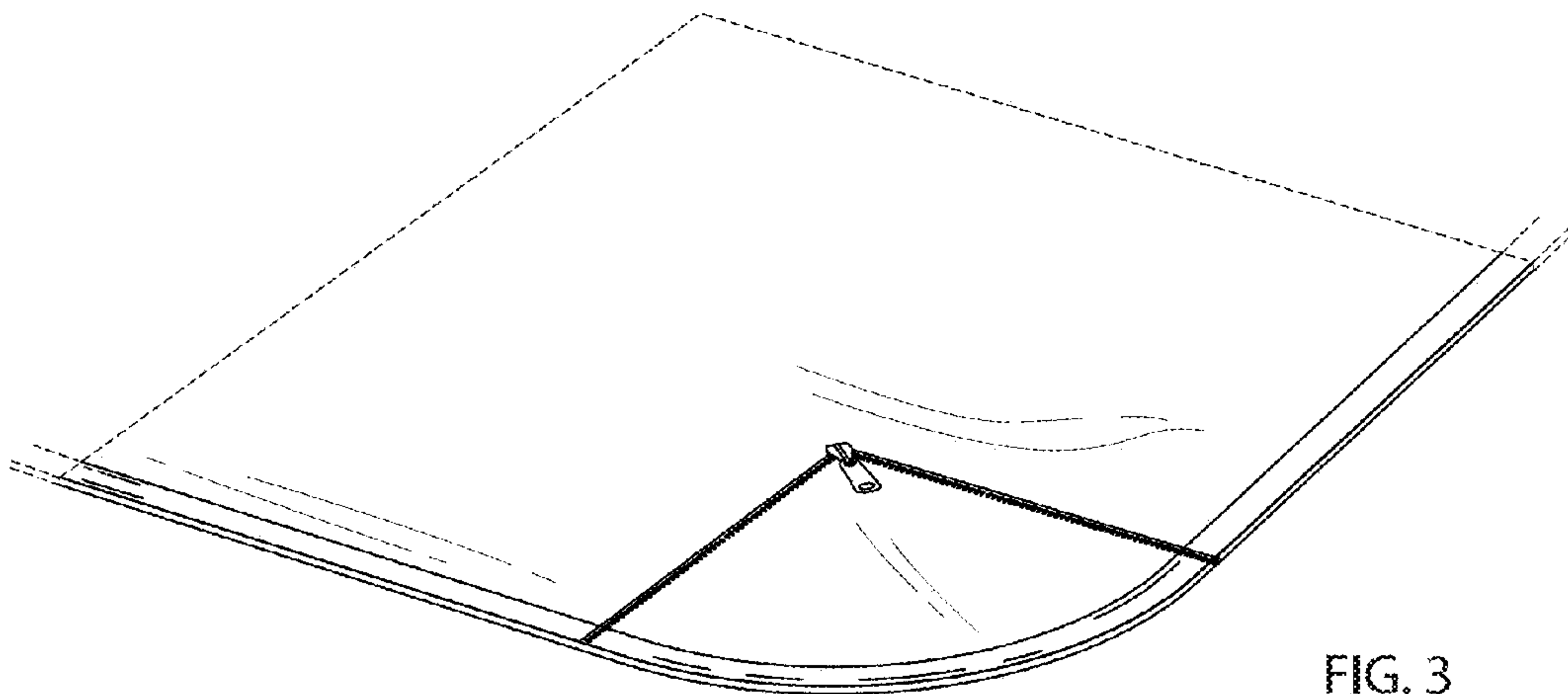


FIG. 3

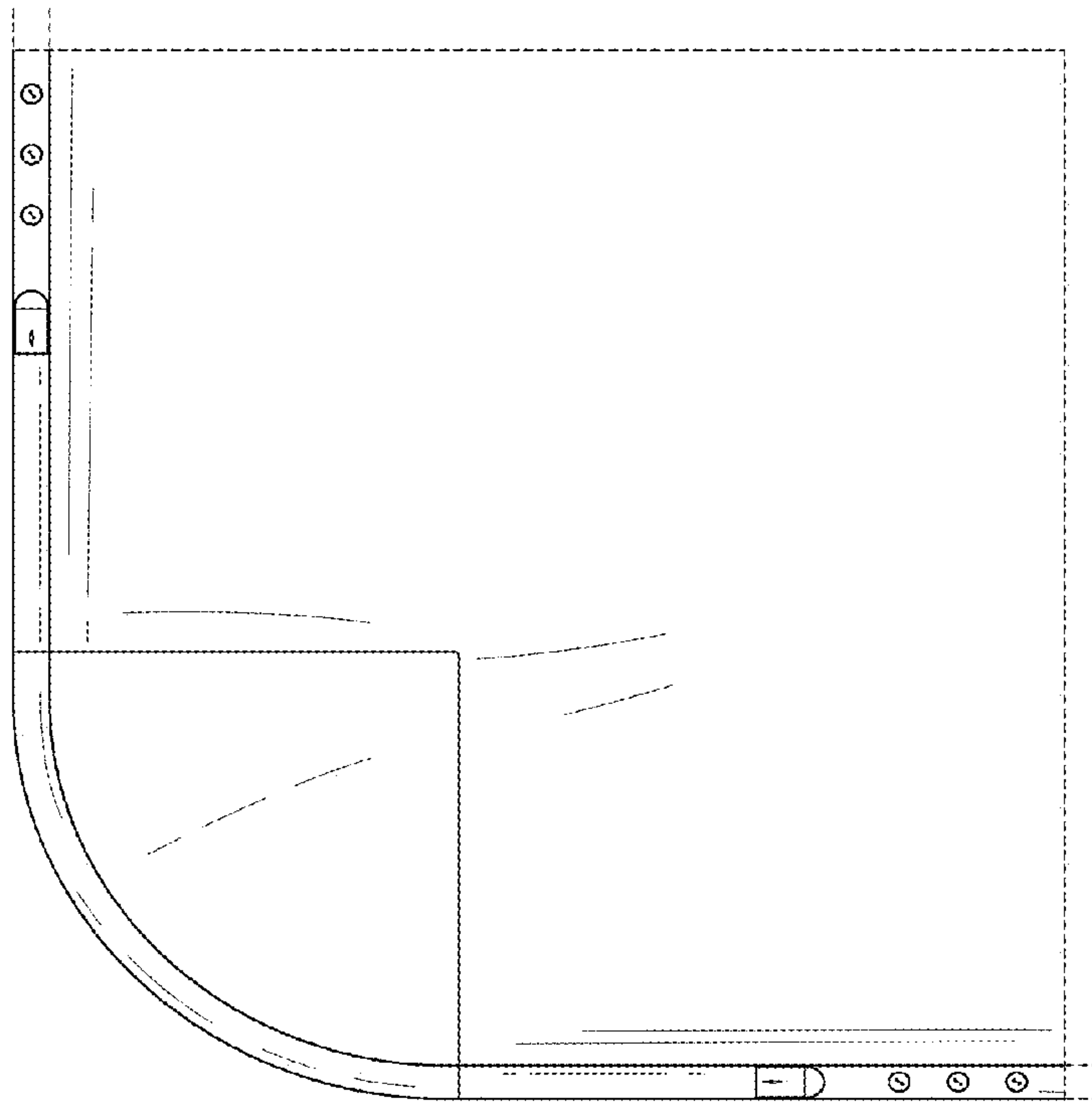


FIG. 4

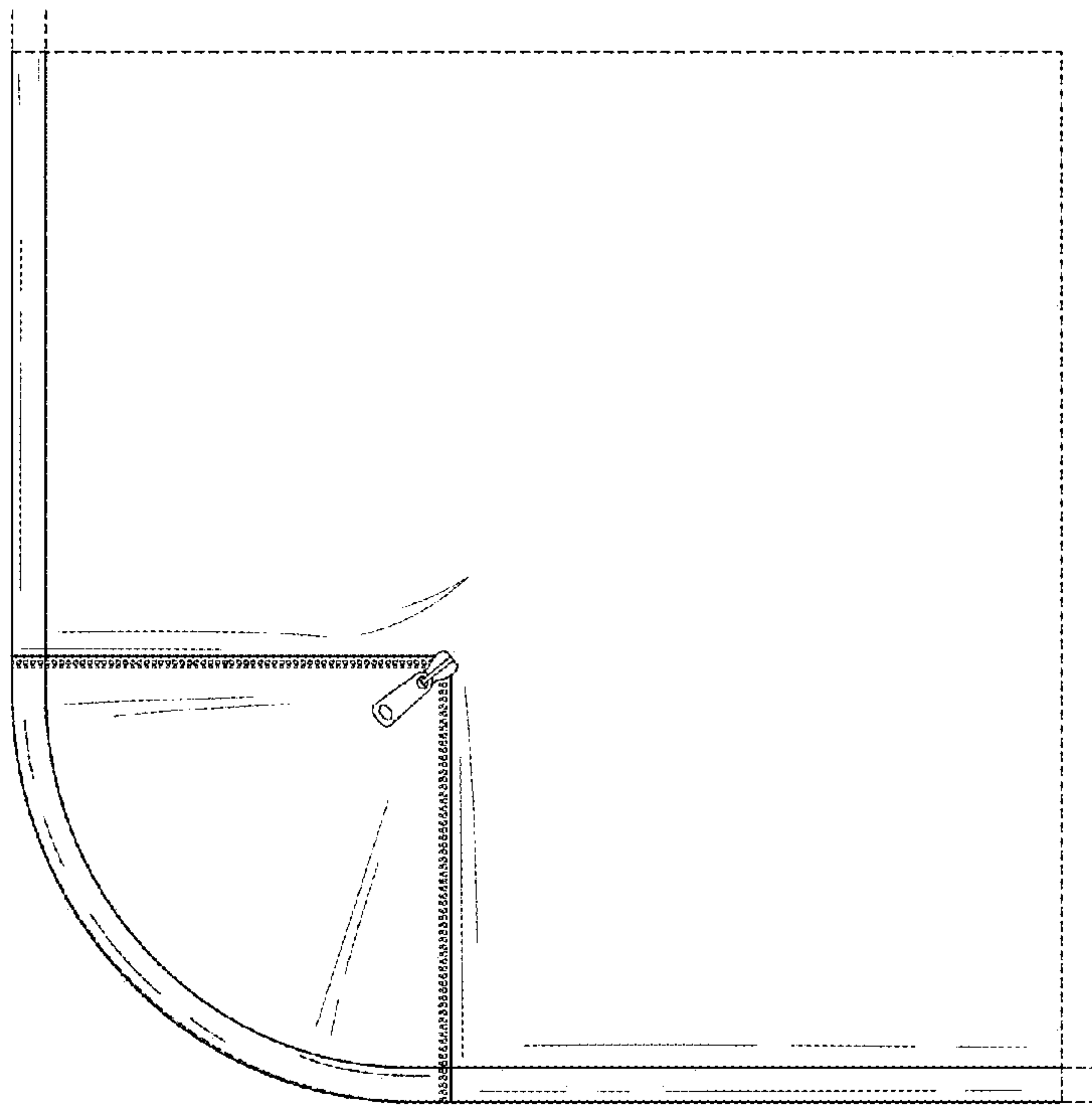


FIG. 5



FIG. 6



FIG. 7