



US00D714076S

(12) **United States Design Patent**
Ragonetti et al.

(10) **Patent No.:** **US D714,076 S**

(45) **Date of Patent:** **** Sep. 30, 2014**

(54) **LADYBUG TOOTHBRUSH HOLDER**

D642,002 S * 7/2011 Rosenfeld D6/534
D657,986 S * 4/2012 Climer et al. D6/534

(71) Applicant: **Kikkerland Design, Inc.**, New York, NY (US)

* cited by examiner

(72) Inventors: **Peter T. Ragonetti**, Brooklyn, NY (US);
Viktor Jondal, Brooklyn, NY (US)

Primary Examiner — Brian N Vinson

(74) *Attorney, Agent, or Firm* — Cascio & Zervas

(73) Assignee: **Kikkerland Design, Inc.**, New York, NY (US)

(**) Term: **14 Years**

(57) **CLAIM**

The ornamental design for a ladybug toothbrush holder, as shown and described.

(21) Appl. No.: **29/492,871**

(22) Filed: **Jun. 3, 2014**

(51) **LOC (10) Cl.** **23-02**

(52) **U.S. Cl.**
USPC **D6/534; D6/528**

DESCRIPTION

(58) **Field of Classification Search**
USPC D6/524, 526, 527, 528, 534; 206/208,
206/228, 209, 209.1, 361, 362, 362.1,
206/362.2, 362.3; 211/13.1, 66, 70.6,
211/86.01, 87.01; D7/701, 635, 637
See application file for complete search history.

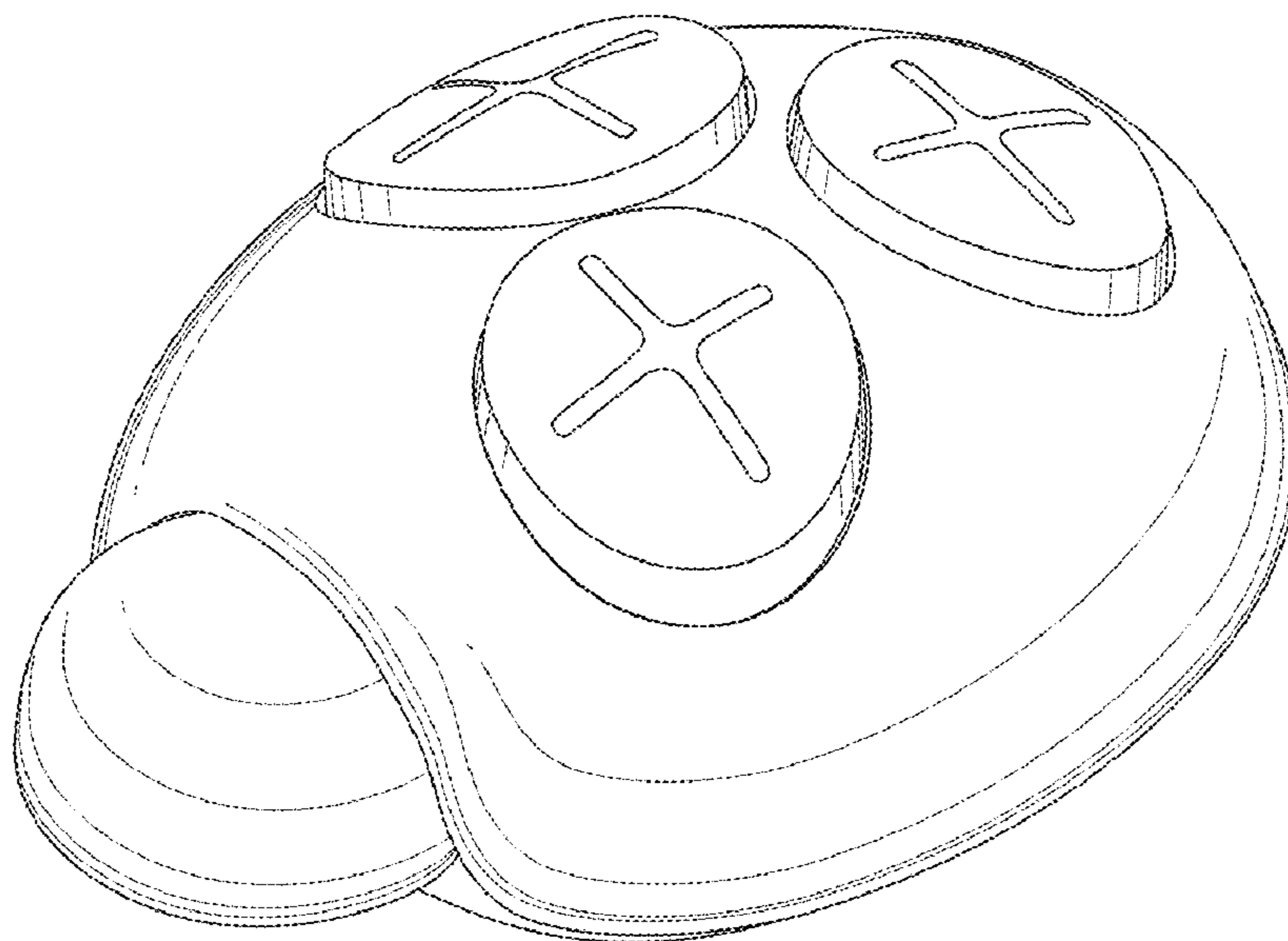
FIG. 1 is a top plan view of the ladybug toothbrush holder showing our design;
FIG. 2 is a bottom plan view thereof;
FIG. 3 is a front elevational view thereof;
FIG. 4 is a rear elevational view thereof;
FIG. 5 is a right side elevational view thereof;
FIG. 6 is a left side elevational view thereof; and,
FIG. 7 is a front perspective view thereof.

(56) **References Cited**

U.S. PATENT DOCUMENTS

D460,307 S * 7/2002 Skarjak D6/534
D556,484 S * 12/2007 Bender et al. D6/528

1 Claim, 2 Drawing Sheets



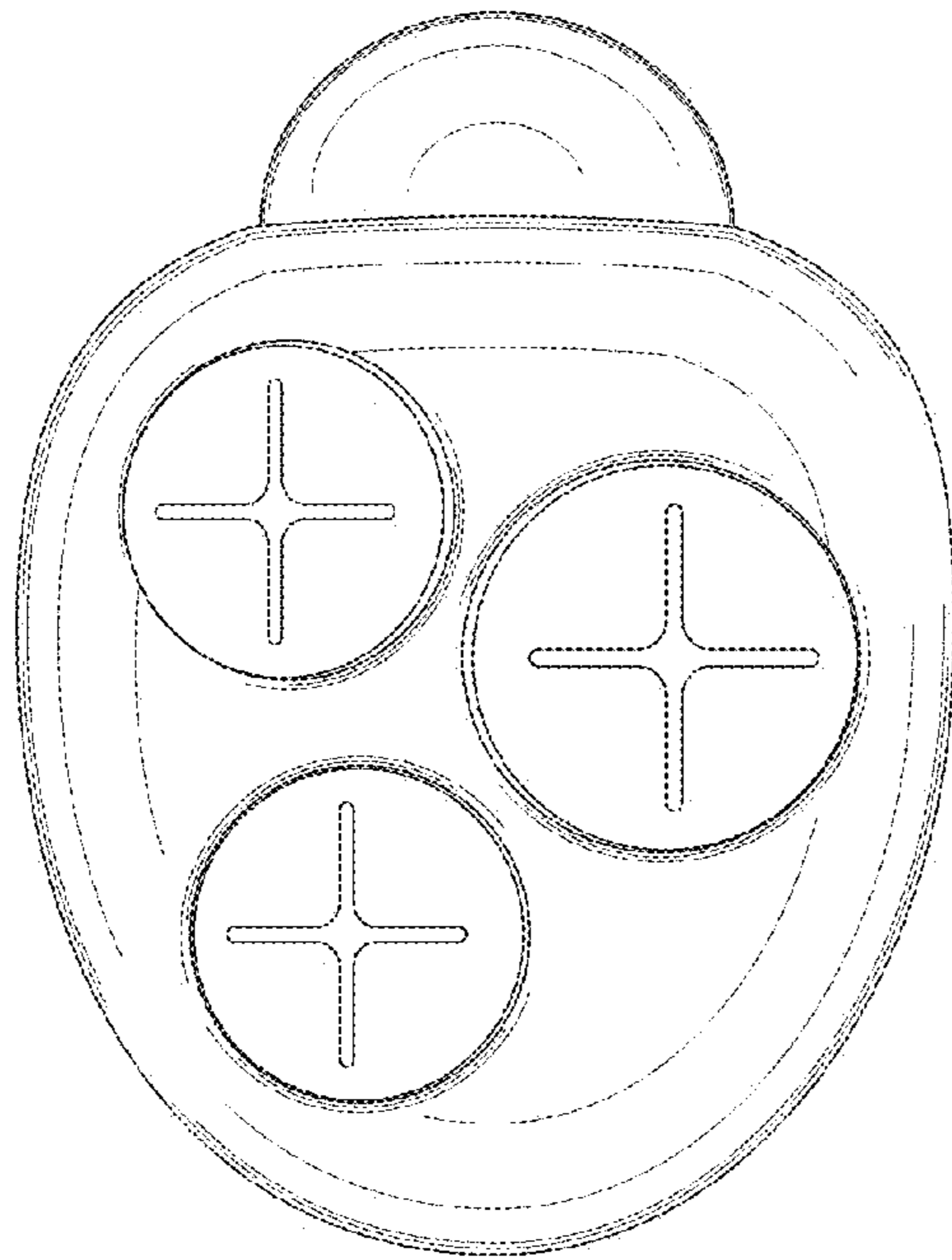


FIG. 1

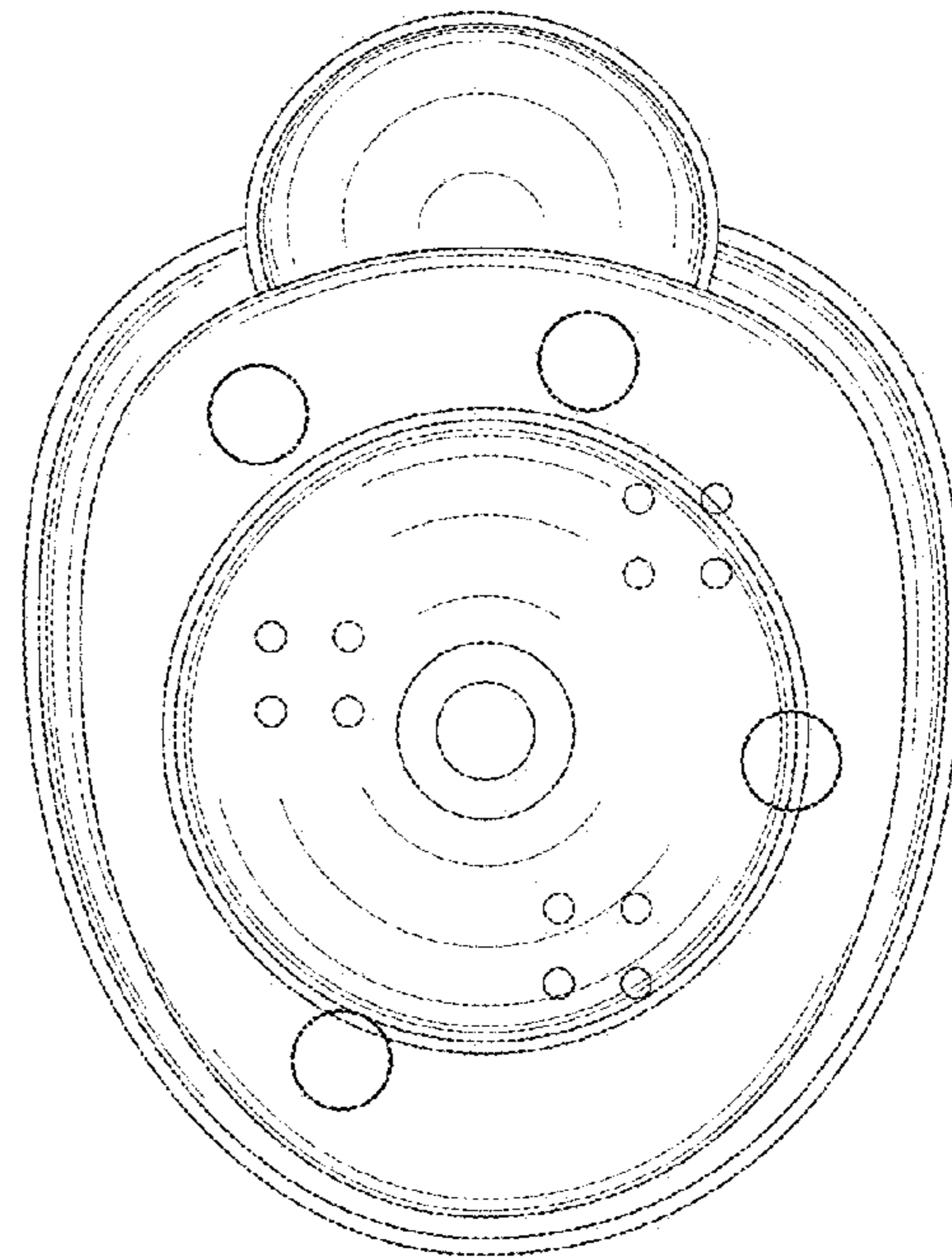


FIG. 2

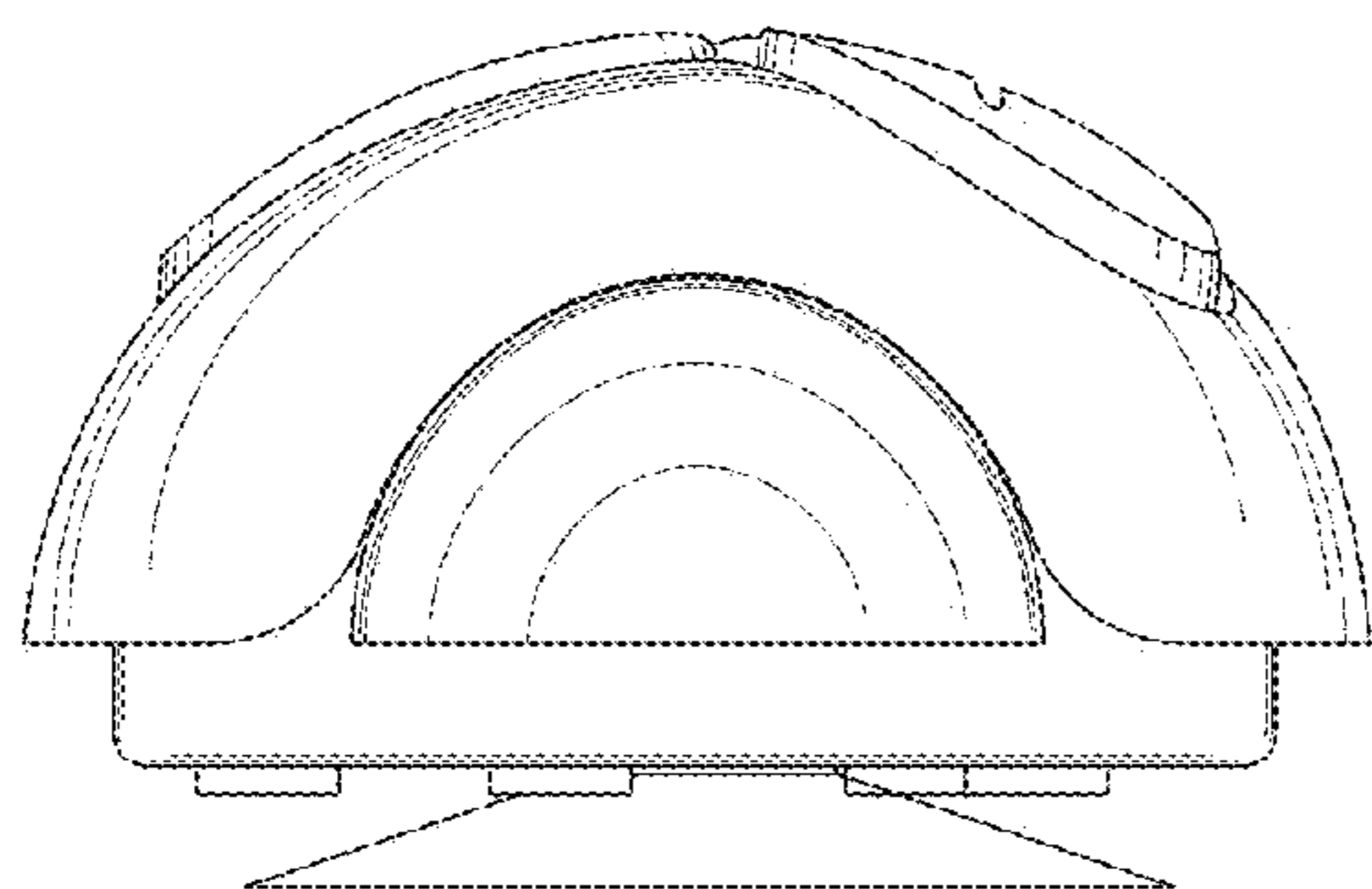


FIG. 3

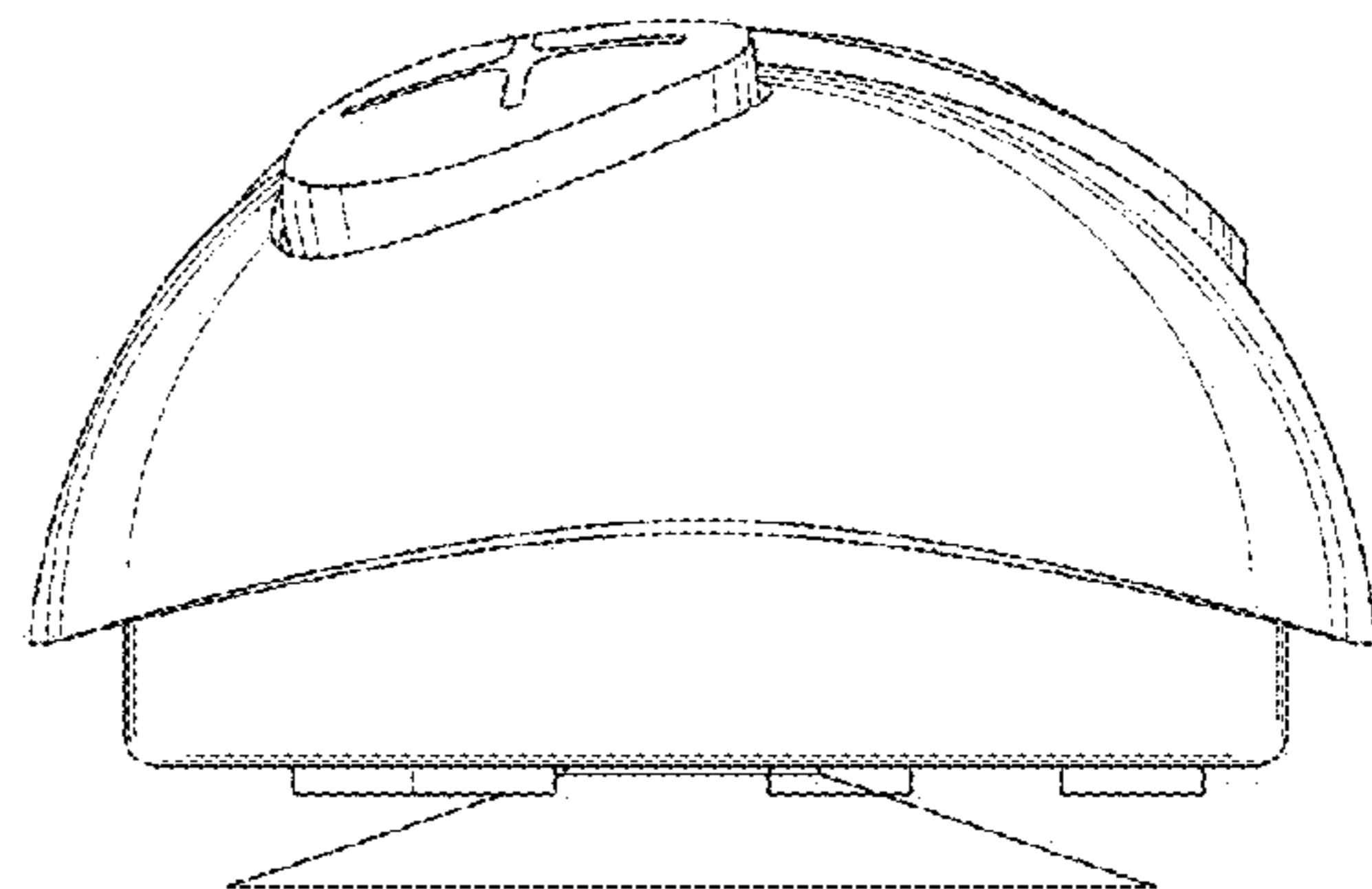


FIG. 4

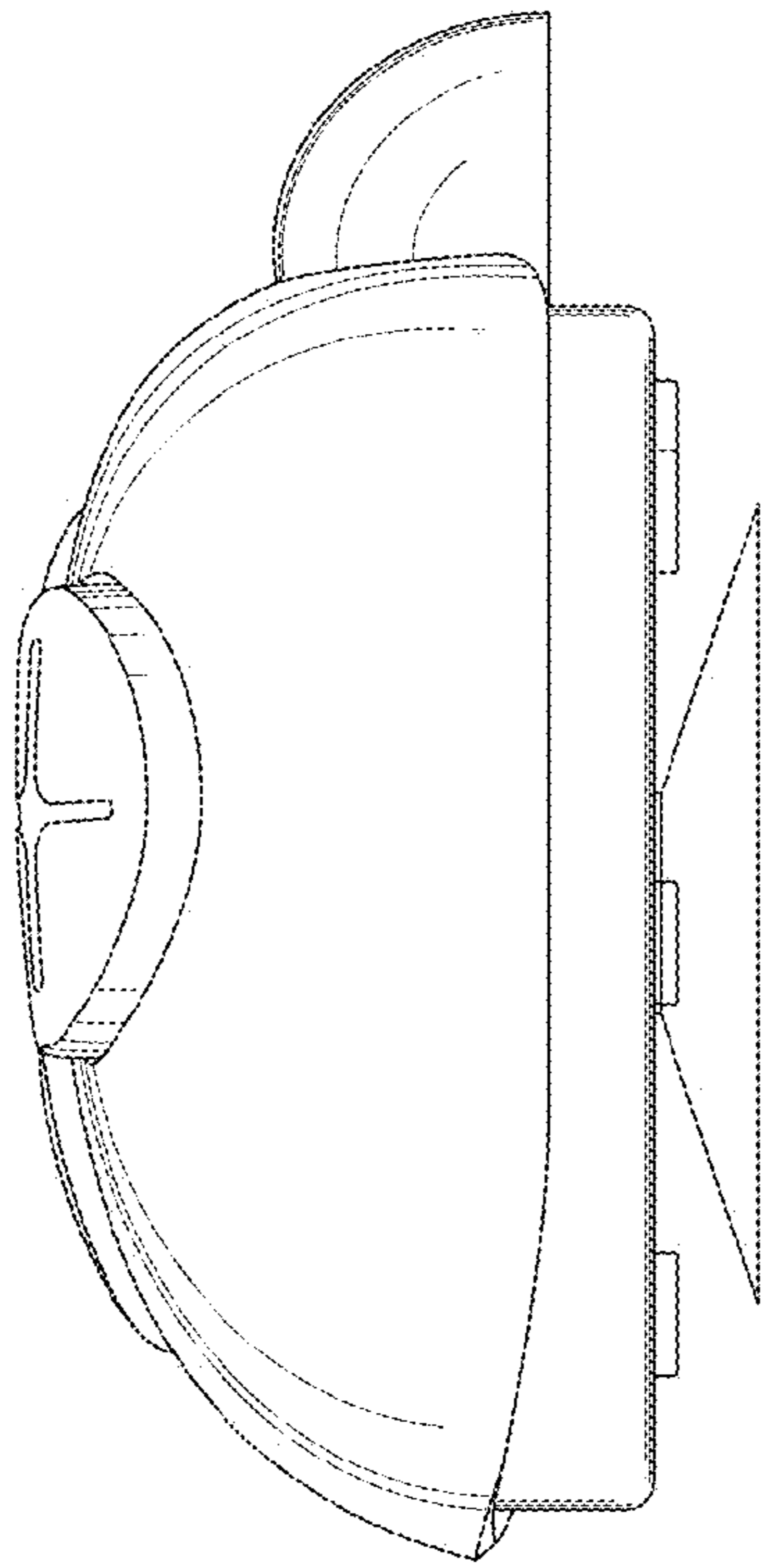


FIG. 5

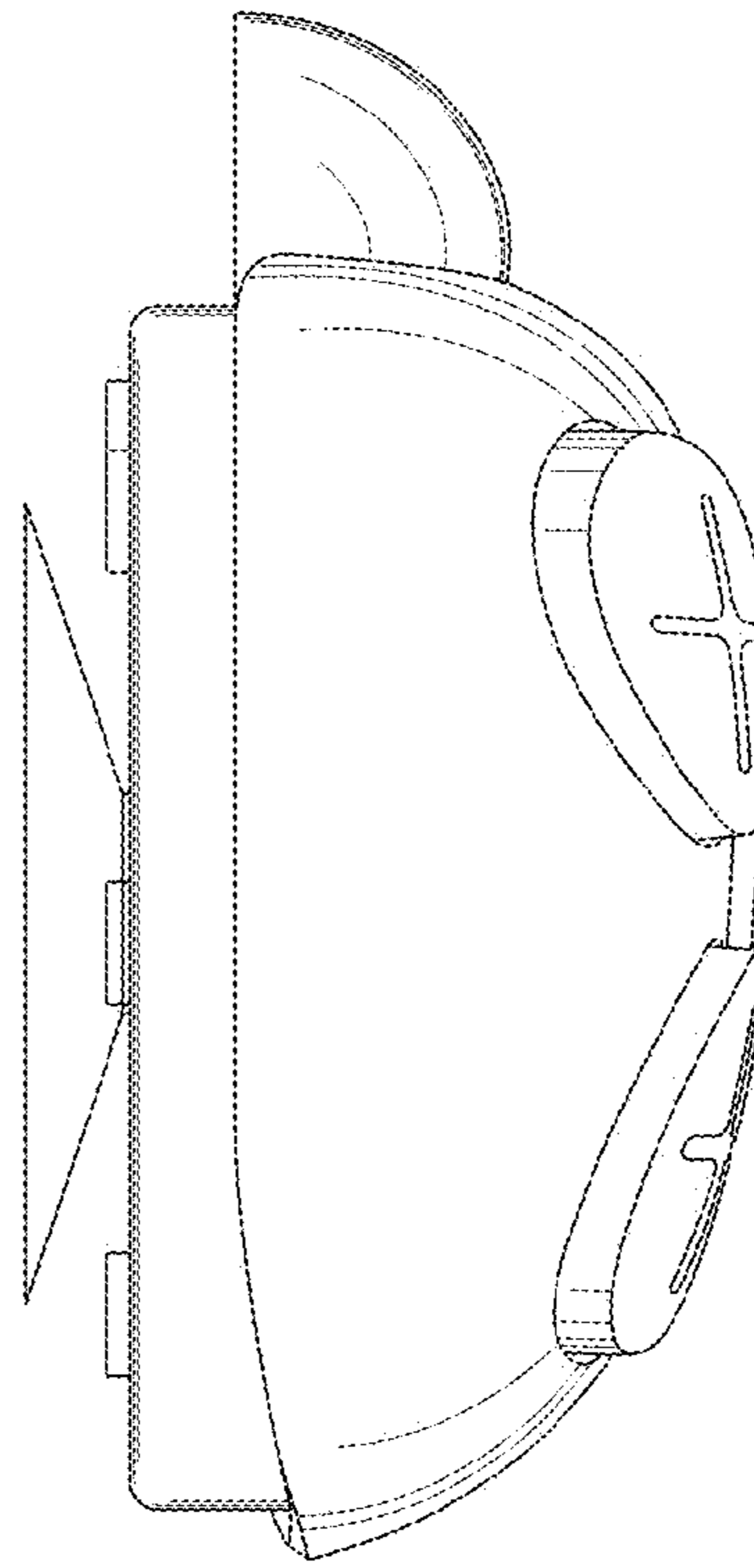


FIG. 6

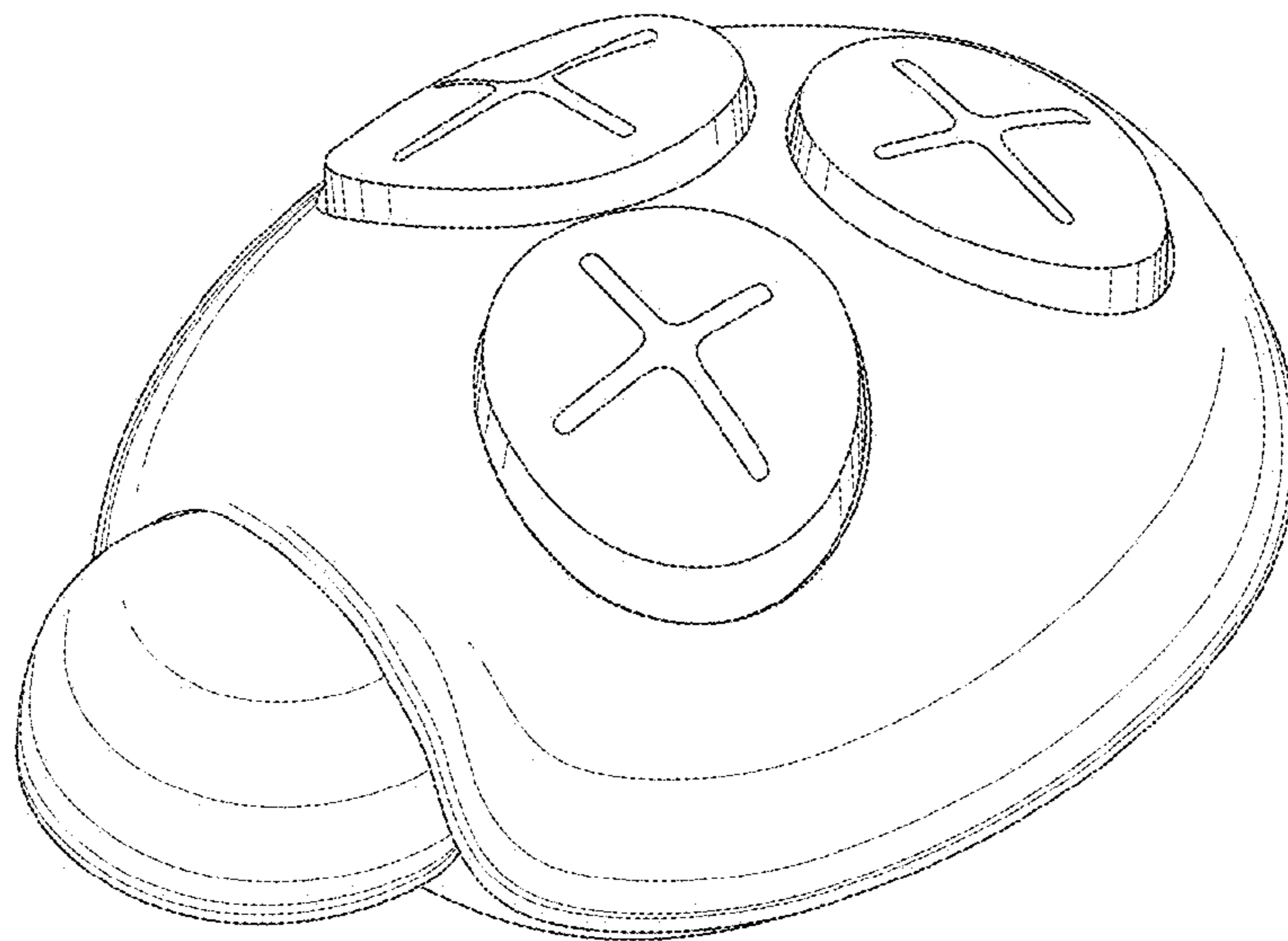


FIG. 7