



US00D714075S

(12) **United States Design Patent**
Chung

(10) **Patent No.:** **US D714,075 S**

(45) **Date of Patent:** **** Sep. 30, 2014**

(54) **SHOWER CADDY**

(71) Applicant: **Umbra LLC**, Buffalo, NY (US)

(72) Inventor: **Thomas Chung**, Toronto (CA)

(73) Assignee: **Umbra LLC**, Buffalo, NY (US)

(**) Term: **14 Years**

(21) Appl. No.: **29/489,953**

(22) Filed: **May 5, 2014**

(51) **LOC (10) Cl.** **23-02**

(52) **U.S. Cl.**
USPC **D6/525**

(58) **Field of Classification Search**
USPC D6/524, 525, 566, 536, 540; 211/13.1,
211/74, 71.01, 86.01, 75, 88.01, 90.01,
211/90.03, 106, 126.1, 119, 181.1, 133.5,
211/134

See application file for complete search history.

(56) **References Cited**

U.S. PATENT DOCUMENTS

D615,333 S *	5/2010	Snell	D6/525
D630,035 S *	1/2011	Snider	D6/525
D661,928 S *	6/2012	Sedwick	D6/525
D677,956 S *	3/2013	Tawil	D6/525

* cited by examiner

Primary Examiner — Brian N Vinson

(74) *Attorney, Agent, or Firm* — Simpson & Simpson, PLLC

(57) **CLAIM**

The ornamental design for a shower caddy, as shown and described.

DESCRIPTION

FIG. 1 is a front top perspective view of a shower caddy of the present invention;

FIG. 2 is a front bottom perspective view of the invention shown in FIG. 1;

FIG. 3 is a front elevational view of the invention shown in FIG. 1;

FIG. 4 is a rear elevational view of the invention shown in FIG. 1;

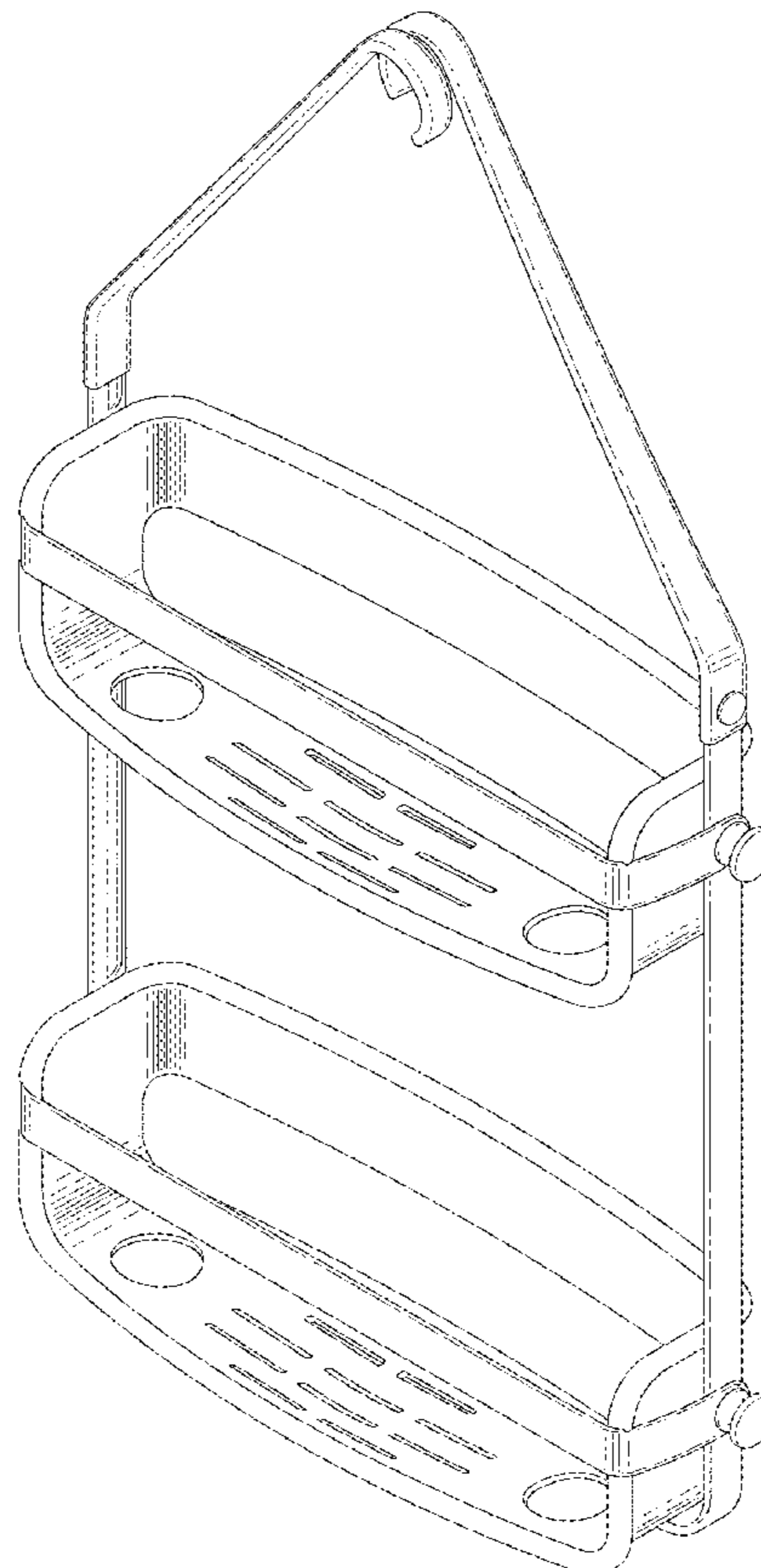
FIG. 5 is a left side elevational view of the invention shown in FIG. 1;

FIG. 6 is a right side elevational view of the invention shown in FIG. 1;

FIG. 7 is a top plan view of the invention shown in FIG. 1; and,

FIG. 8 is a bottom plan view of the invention shown in FIG. 1.

1 Claim, 6 Drawing Sheets



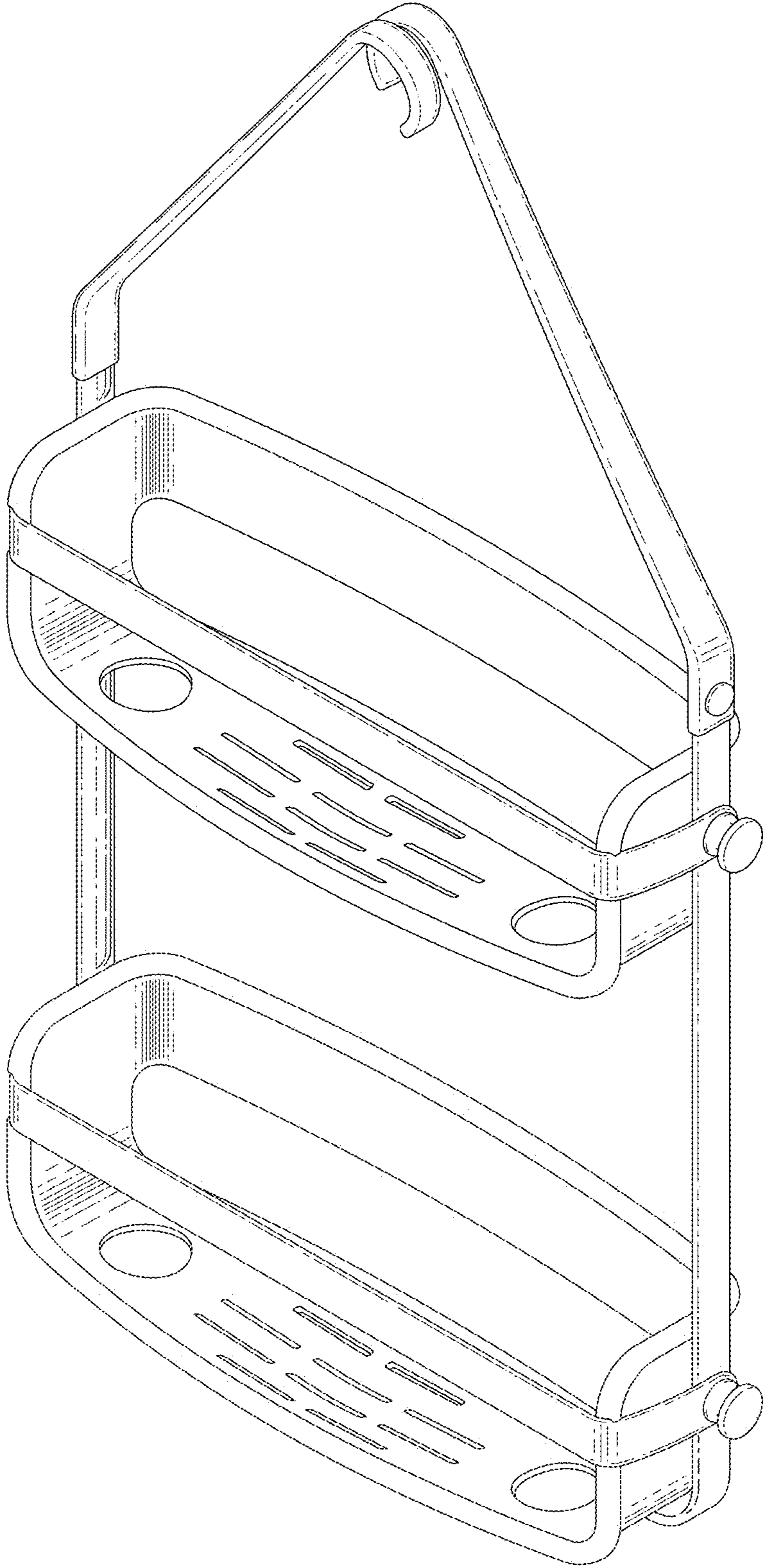


Fig. 1

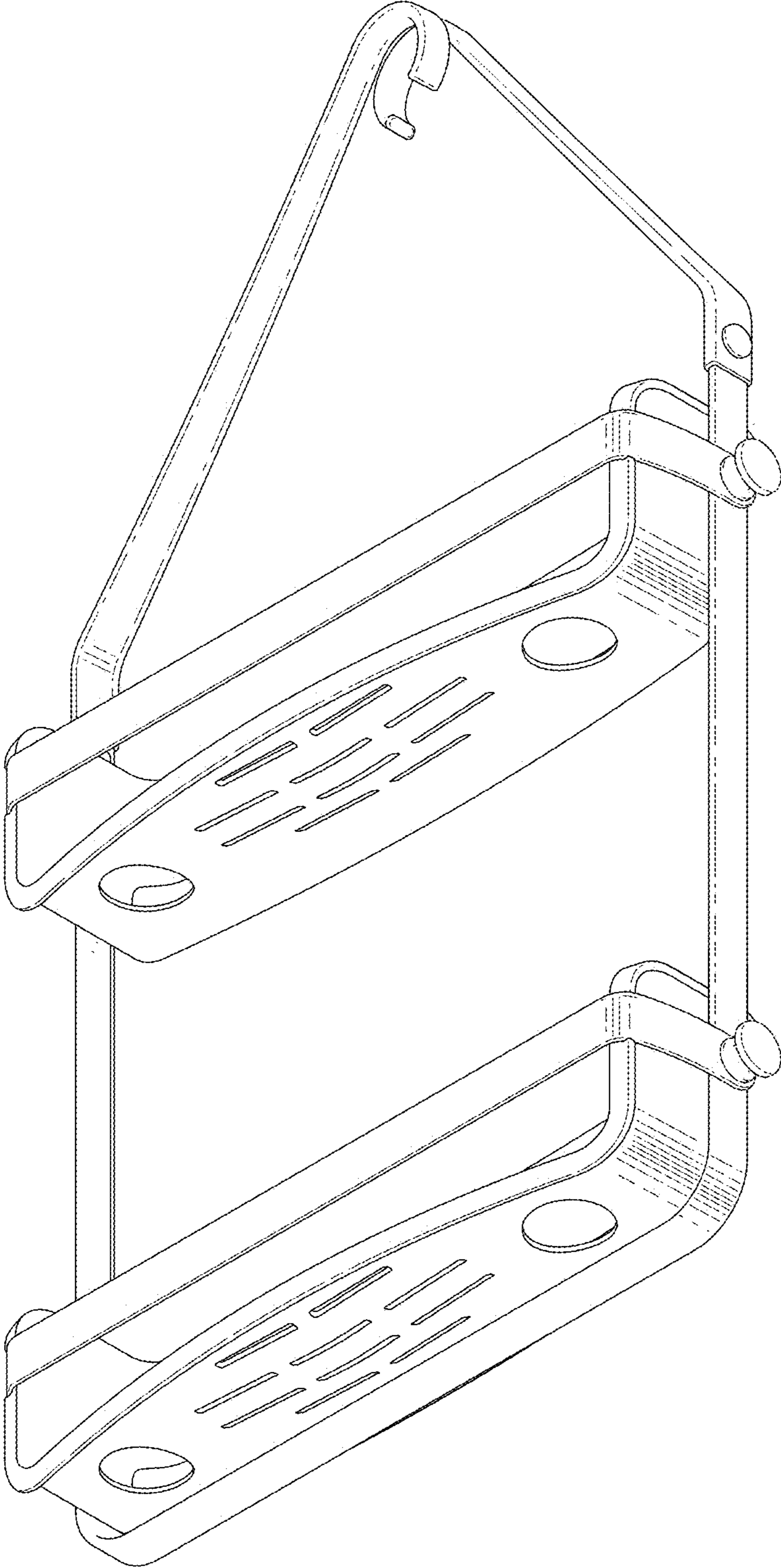


Fig. 2

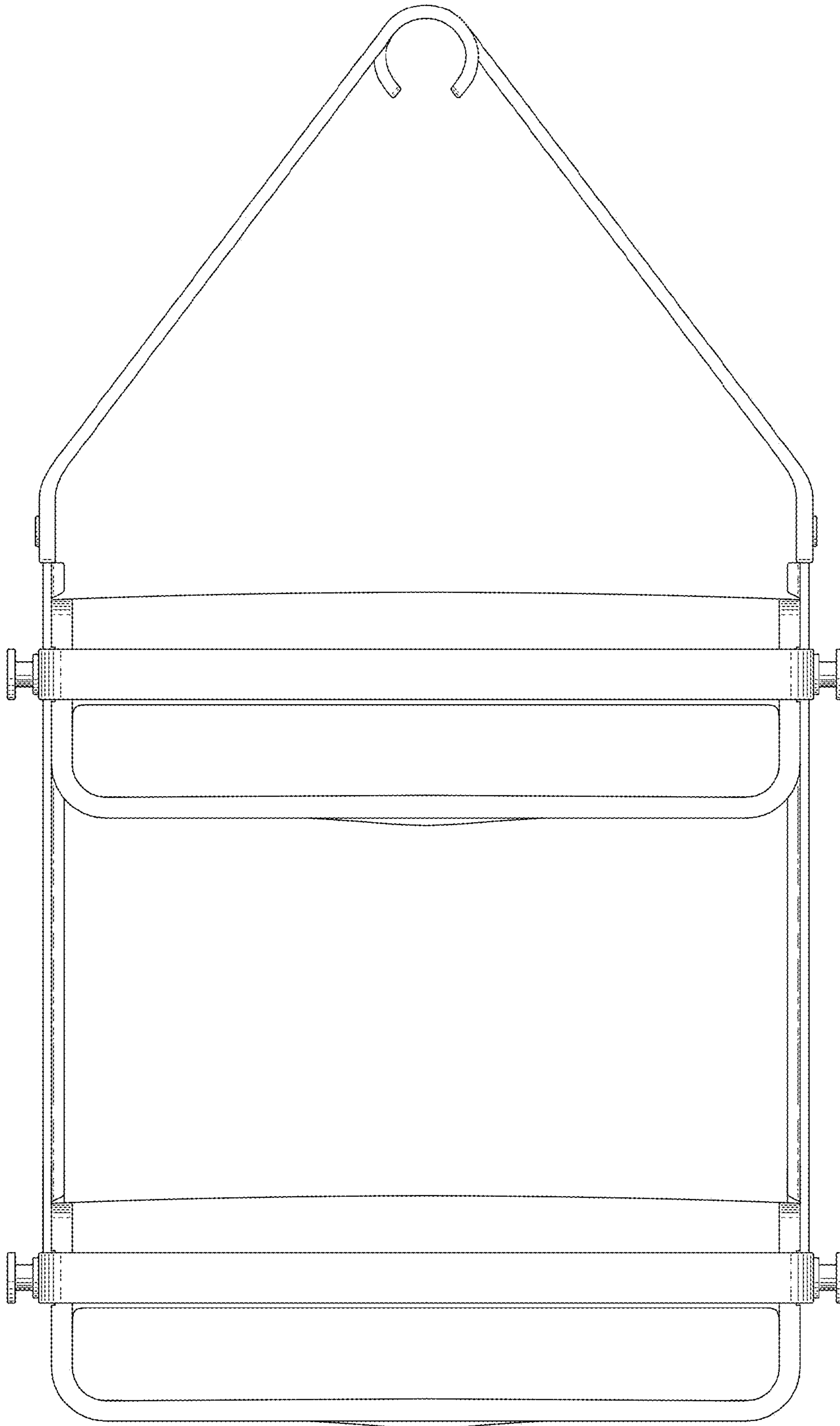


Fig. 3

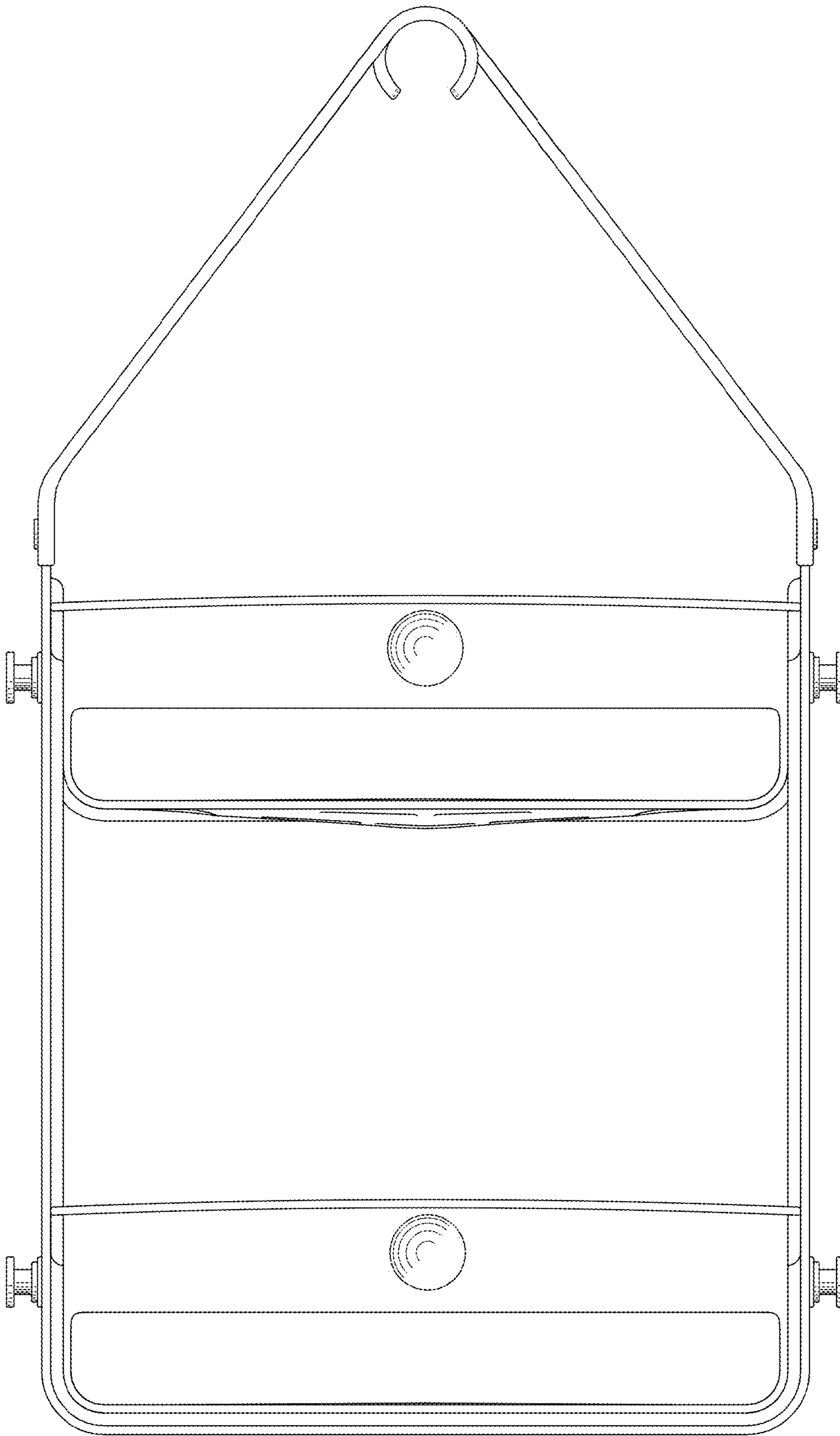


Fig. 4

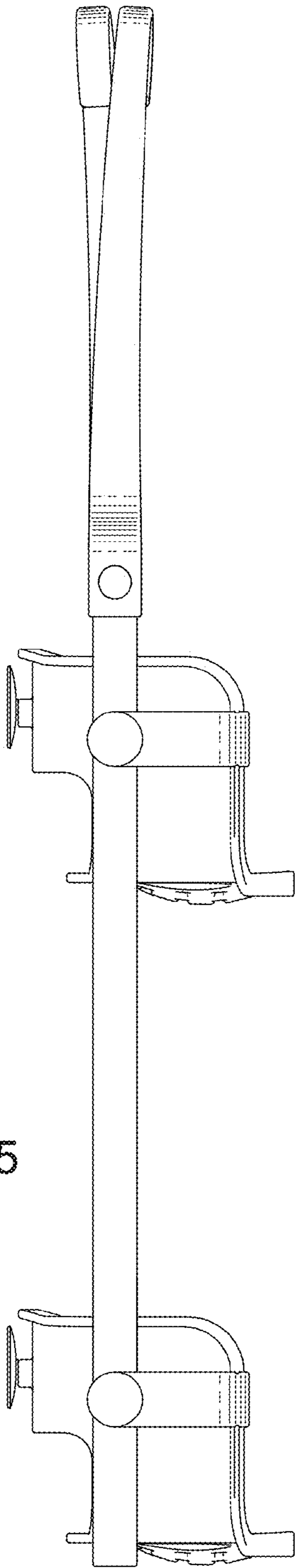


Fig. 5

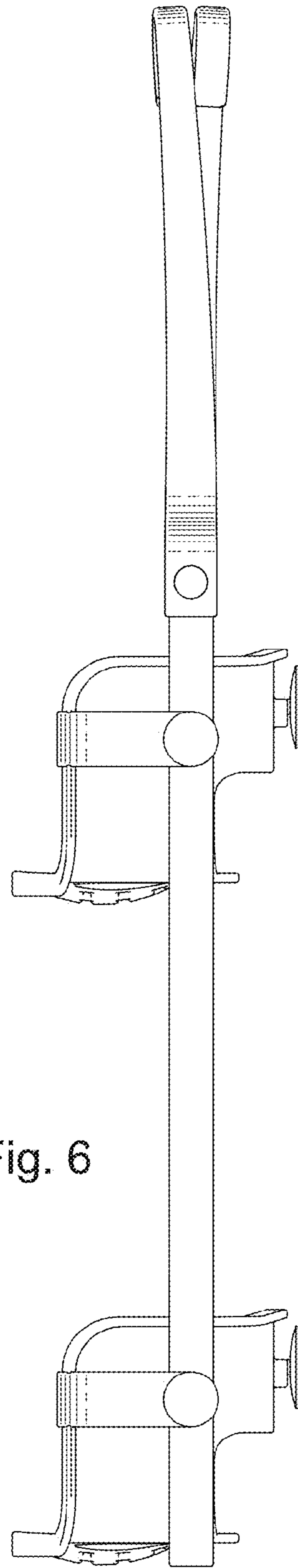


Fig. 6

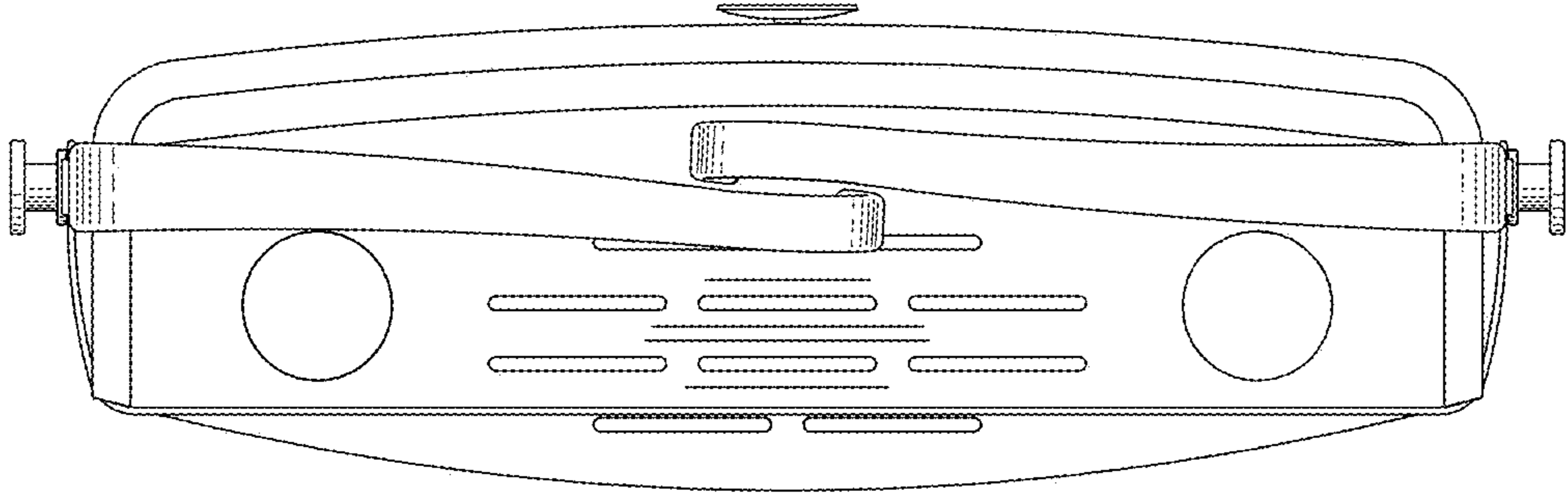


Fig. 7

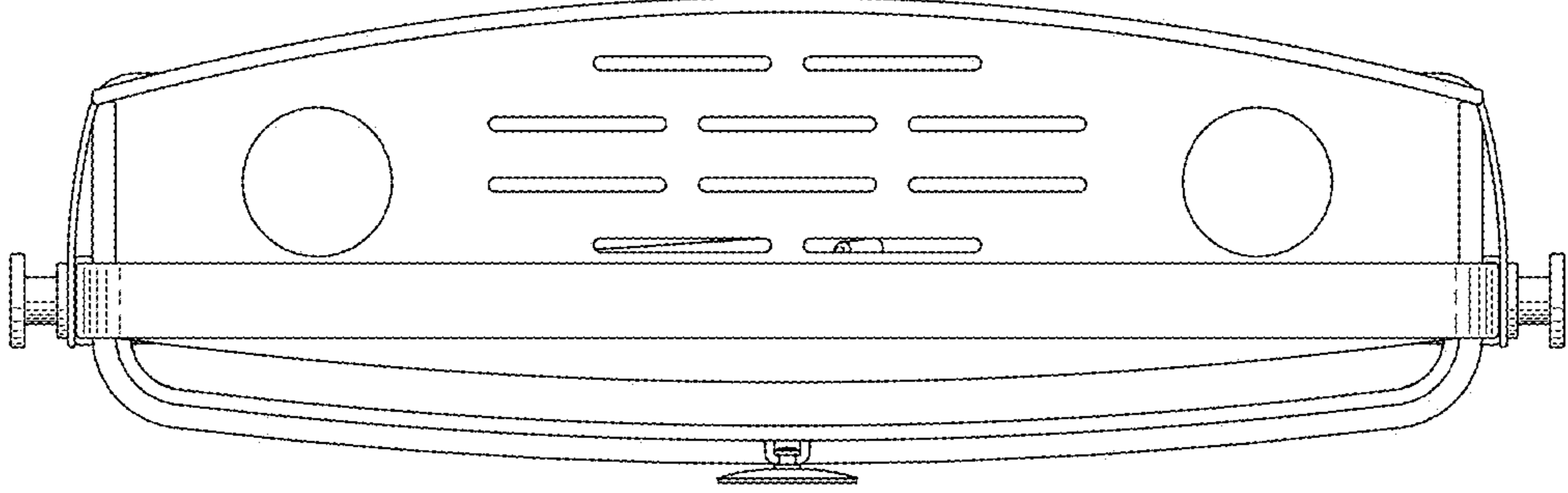


Fig. 8