



US00D714073S

(12) **United States Design Patent**  
**Pittman**

(10) **Patent No.:** **US D714,073 S**  
(45) **Date of Patent:** **\*\* Sep. 30, 2014**

(54) **DEER STAND TRAY**

(71) Applicant: **Michael G. Pittman**, Neosho, MO (US)

(72) Inventor: **Michael G. Pittman**, Neosho, MO (US)

(\*\*) Term: **14 Years**

(21) Appl. No.: **29/485,539**

(22) Filed: **Mar. 19, 2014**

(51) **LOC (10) Cl.** ..... **06-06**

(52) **U.S. Cl.**  
USPC ..... **D6/406.2**

(58) **Field of Classification Search**  
USPC ..... D6/406.1–406.6, 426, 429, 440, 451,  
D6/489, 510–511, 698–699, 553, 567,  
D6/574; D7/552.1, 552.2, 554.1, 554.4,  
D7/550.1, 554.2, 554.3, 556; 211/133.1,  
211/85.31, 126.8, 126, 133.5; 108/43,  
108/157.1, 157.13; 434/432

See application file for complete search history.

(56) **References Cited**

**U.S. PATENT DOCUMENTS**

D405,621 S \* 2/1999 Myers ..... D6/406.2  
D445,395 S \* 7/2001 Okerlund et al. .... D12/400  
D481,350 S \* 10/2003 McCoy et al. .... D12/400

D514,057 S \* 1/2006 Borunda et al. .... D12/426.1  
D535,509 S \* 1/2007 Rossini et al. .... D6/511  
D588,829 S \* 3/2009 Rheault et al. .... D6/406.1  
D612,169 S \* 3/2010 Chang ..... D6/429  
D617,726 S \* 6/2010 Portillo et al. .... D12/400  
D619,506 S \* 7/2010 Isaksen et al. .... D12/133  
D620,276 S \* 7/2010 Miller ..... D6/406.2  
D668,495 S \* 10/2012 Henderson ..... D6/553  
D692,702 S \* 11/2013 Miller ..... D6/677.3  
D696,675 S \* 12/2013 Delrue et al. .... D14/447

\* cited by examiner

*Primary Examiner* — Kelley Donnelly

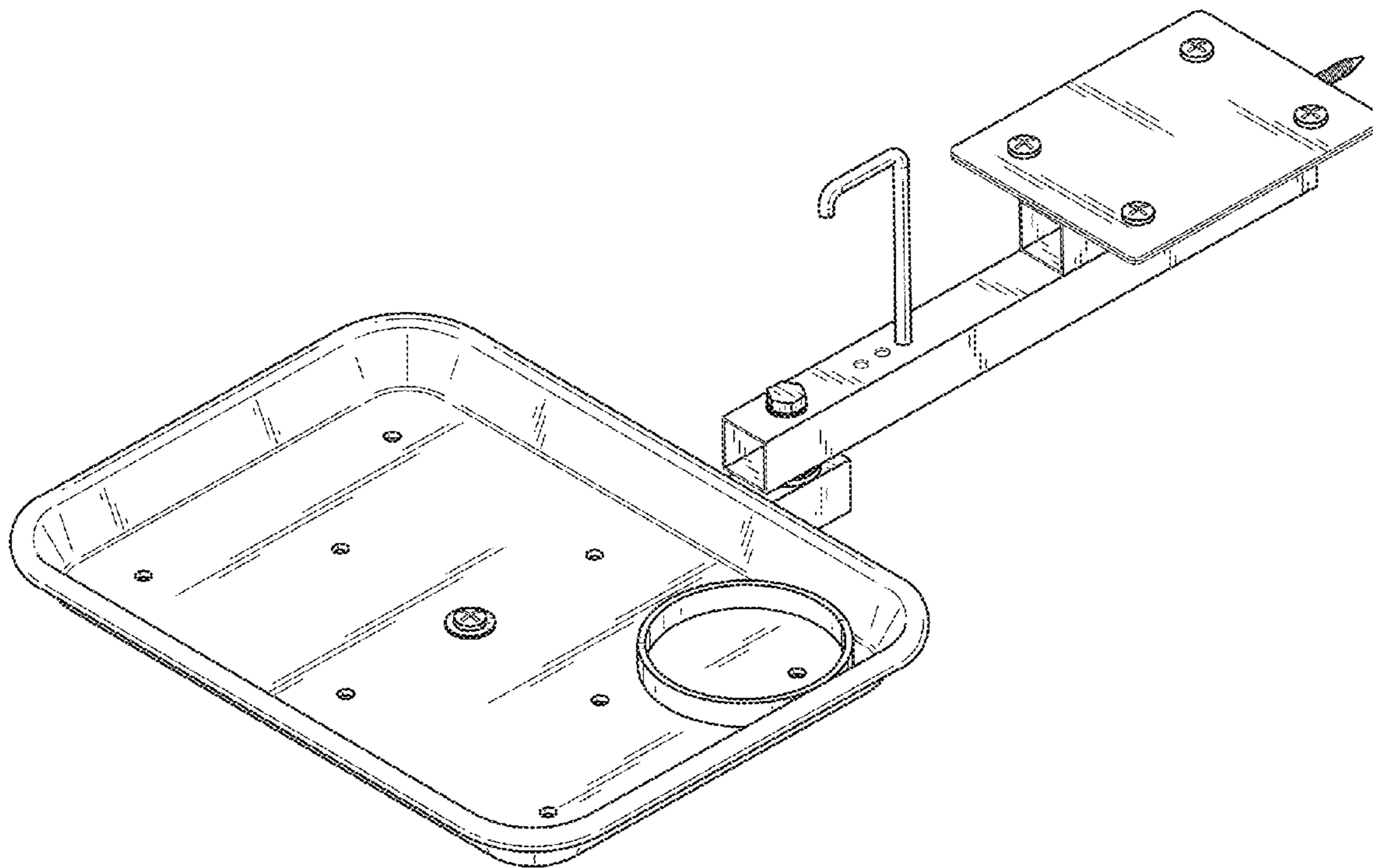
(57) **CLAIM**

The ornamental design for a deer stand tray, as shown and described.

**DESCRIPTION**

FIG. 1 is a perspective front view of a deer stand tray;  
FIG. 2 is a front elevation view of the deer stand tray;  
FIG. 3 is a rear elevation view of the deer stand tray;  
FIG. 4 is a left side elevation view of the deer stand tray; the  
right side view being a mirror image thereof;  
FIG. 5 is a top plan view of the deer stand tray; and,  
FIG. 6 is a bottom plan view of the deer stand tray.

**1 Claim, 4 Drawing Sheets**



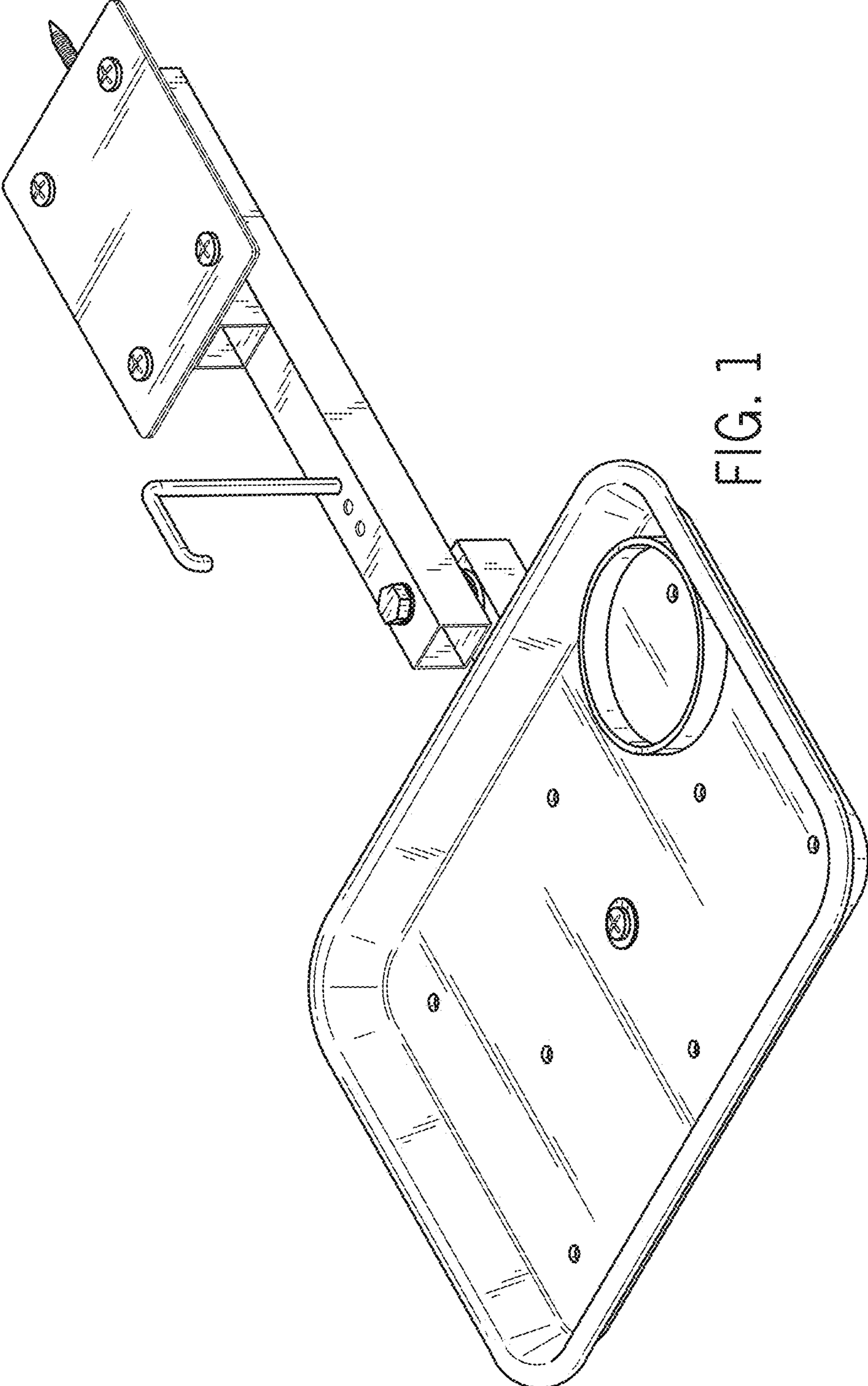


FIG. 1

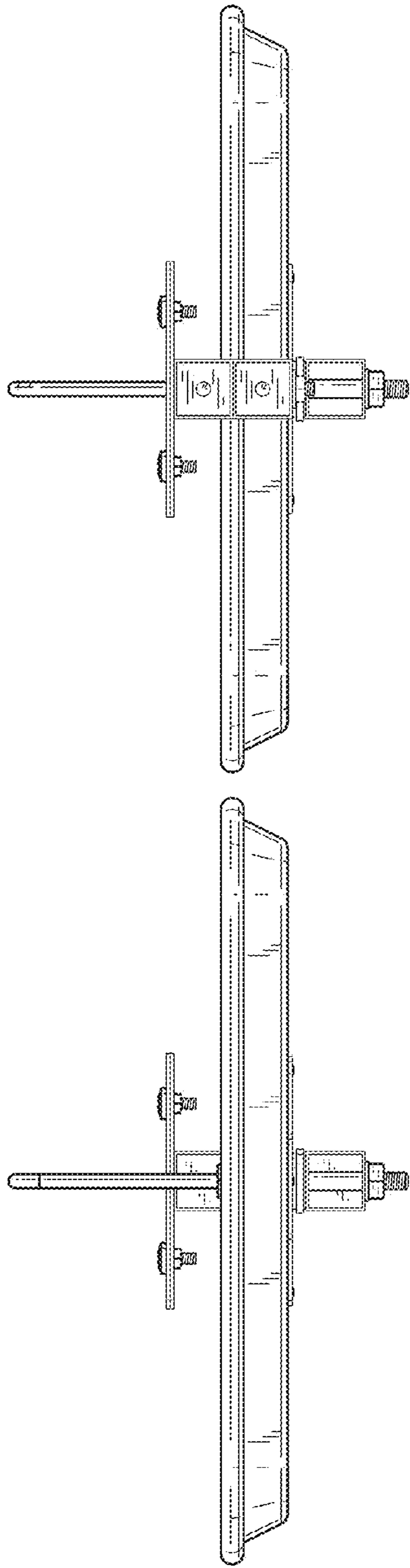


FIG. 2

FIG. 3

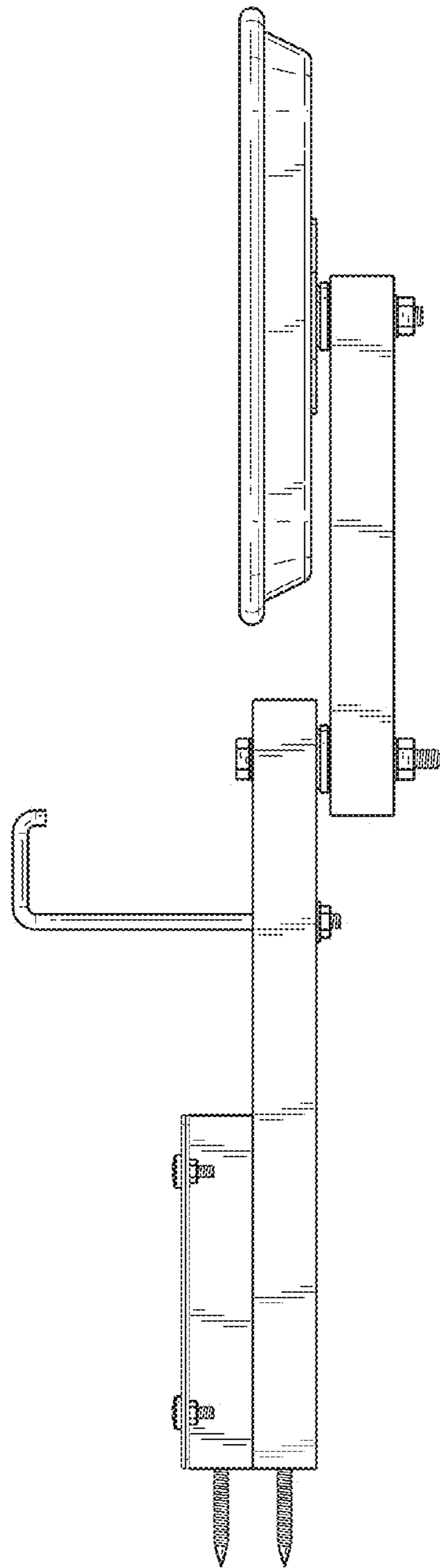


FIG. 4

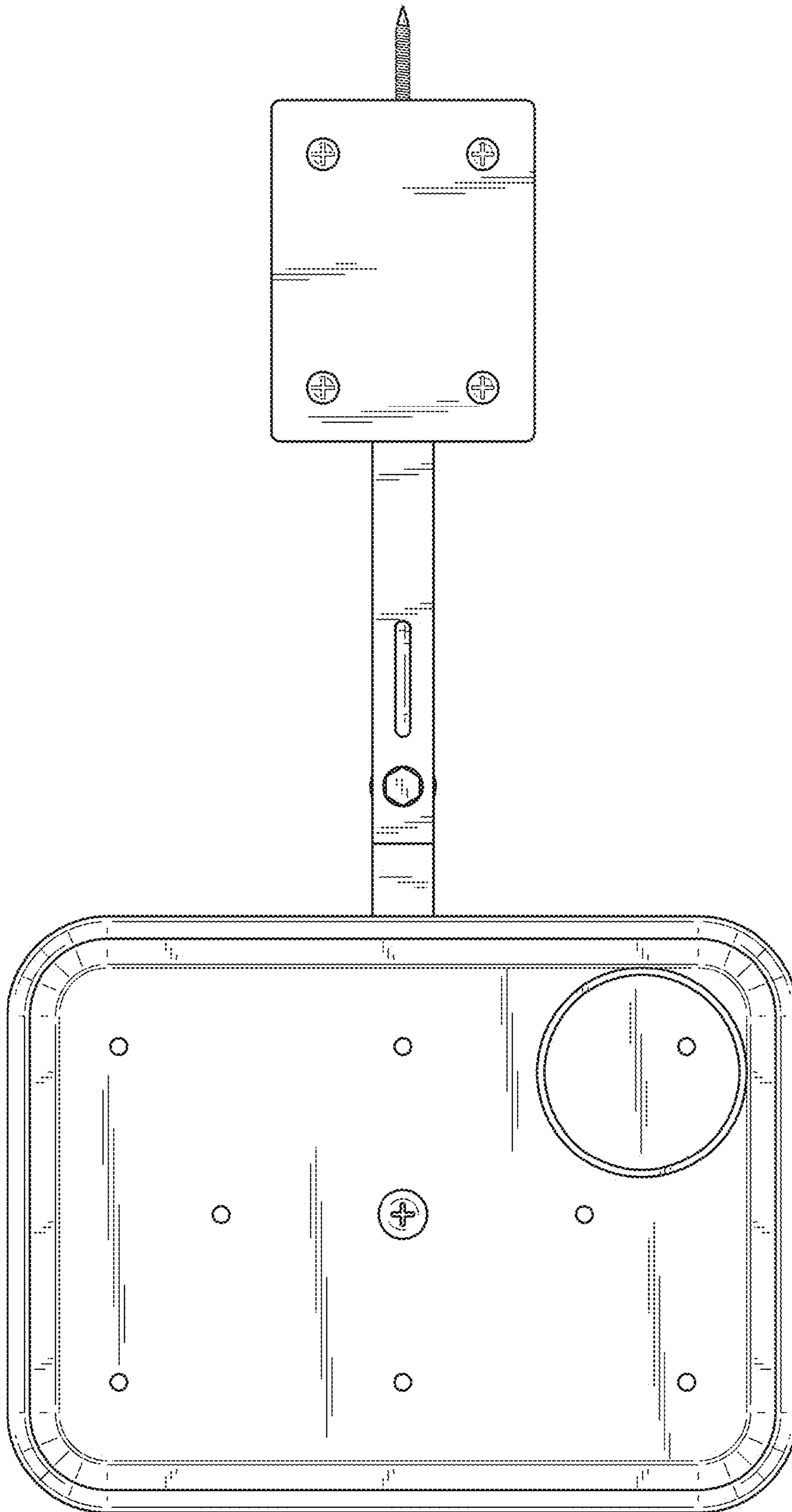


FIG. 5



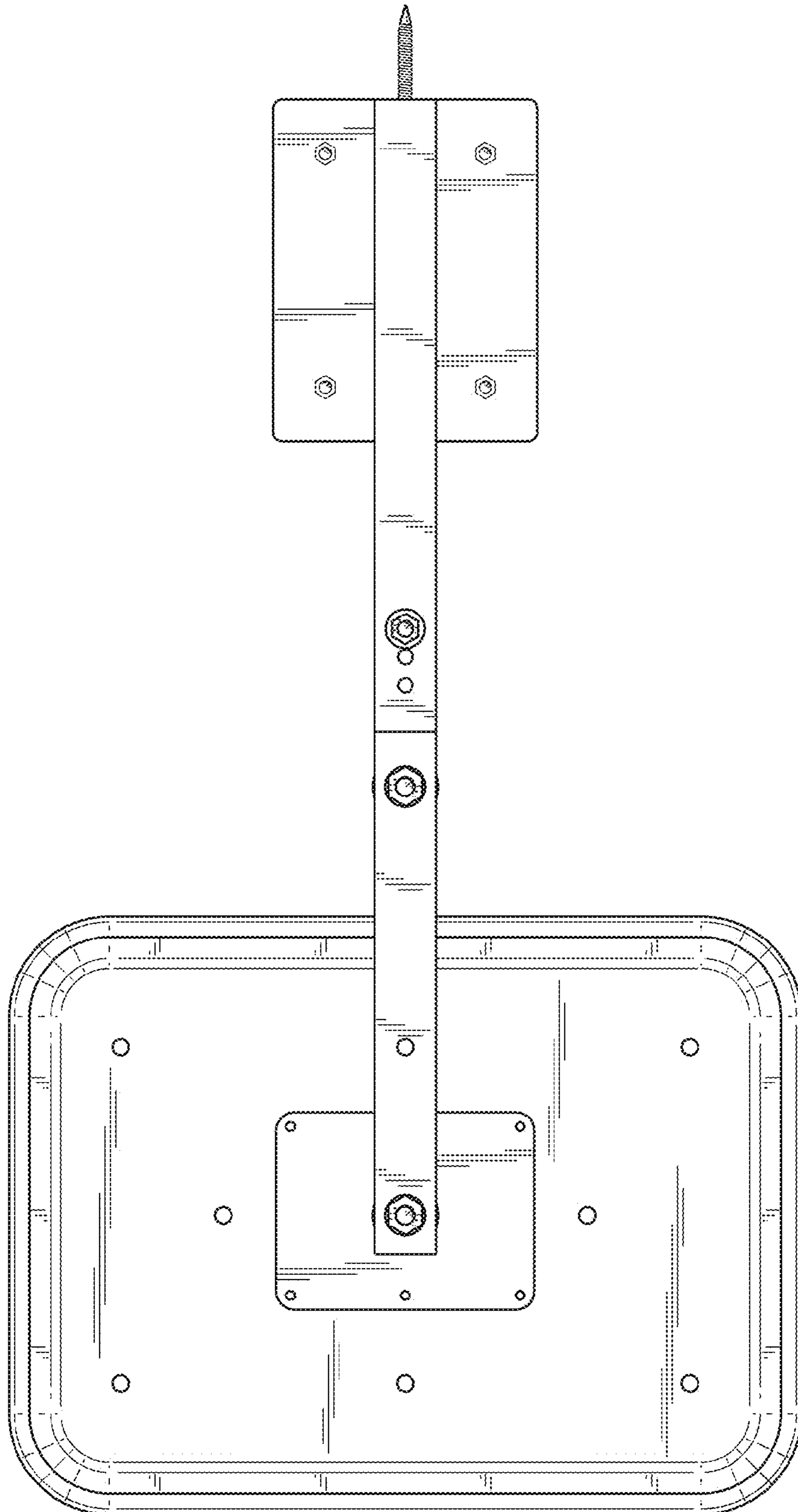


FIG. 6