



US00D714070S

(12) **United States Design Patent**
Cvek

(10) **Patent No.:** **US D714,070 S**
(45) **Date of Patent:** **** Sep. 30, 2014**

(54) **MESH BACK TASK CHAIR WITH PELVIC POSITIONING**

(71) Applicant: **Sava Cvek**, Jamaica Plain, MA (US)

(72) Inventor: **Sava Cvek**, Jamaica Plain, MA (US)

(**) Term: **14 Years**

(21) Appl. No.: **29/473,119**

(22) Filed: **Nov. 19, 2013**

(51) **LOC (10) Cl.** **06-01**

(52) **U.S. Cl.**
USPC **D6/366**

(58) **Field of Classification Search**
USPC D6/334-336, 356, 360-381, 716,
D6/716.1-716.4; 297/411.2, 411.28,
297/452.21, 452.26, 452.29, 452.32,
297/452.35, 452.48

See application file for complete search history.

(56) **References Cited**

U.S. PATENT DOCUMENTS

233,140 A	10/1880	Candrian
2,819,911 A	1/1958	Syak
4,854,641 A	8/1989	Reineman
5,772,282 A	6/1998	Stumpf
6,386,634 B1	5/2002	Stumpf
6,709,058 B1	3/2004	Diffrient

(Continued)

Primary Examiner — Ricky Pham

(74) *Attorney, Agent, or Firm* — O'Connell Law Firm;
Thomas P. O'Connell

(57) **CLAIM**

The new and ornamental design for a mesh back task chair with pelvic positioning, as shown and described.

DESCRIPTION

FIG. 1 is a perspective view of a mesh back task chair with pelvic positioning showing my new design;

FIG. 2 is a view in front elevation of the mesh back task chair with pelvic positioning of FIG. 1;

FIG. 3 is a view in rear elevation of the mesh back task chair with pelvic positioning of FIG. 1;

FIG. 4 is a view in left side elevation of the mesh back task chair with pelvic positioning of FIG. 1;

FIG. 5 is a view in right side elevation of the mesh back task chair with pelvic positioning of FIG. 1;

FIG. 6 is a top plan view of the mesh back task chair with pelvic positioning of FIG. 1;

FIG. 7 is a bottom plan view of the mesh back task chair with pelvic positioning of FIG. 1;

FIG. 8 is a bottom plan view of the mesh back task chair with pelvic positioning of FIG. 1 with the support base removed for clarity;

FIG. 9 is a bottom plan view of the mesh back task chair with pelvic positioning of FIG. 1 with the support base, control mechanisms, and arms removed for clarity;

FIG. 10 is a perspective view of a mesh back task chair with pelvic positioning showing my new design with fixed-height arms;

FIG. 11 is a view in front elevation of the mesh back task chair with pelvic positioning of FIG. 10;

FIG. 12 is a view in rear elevation of the mesh back task chair with pelvic positioning of FIG. 10;

FIG. 13 is a view in left side elevation of the mesh back task chair with pelvic positioning of FIG. 10;

FIG. 14 is a view in right side elevation of the mesh back task chair with pelvic positioning of FIG. 10;

FIG. 15 is a top plan view of the mesh back task chair with pelvic positioning of FIG. 10;

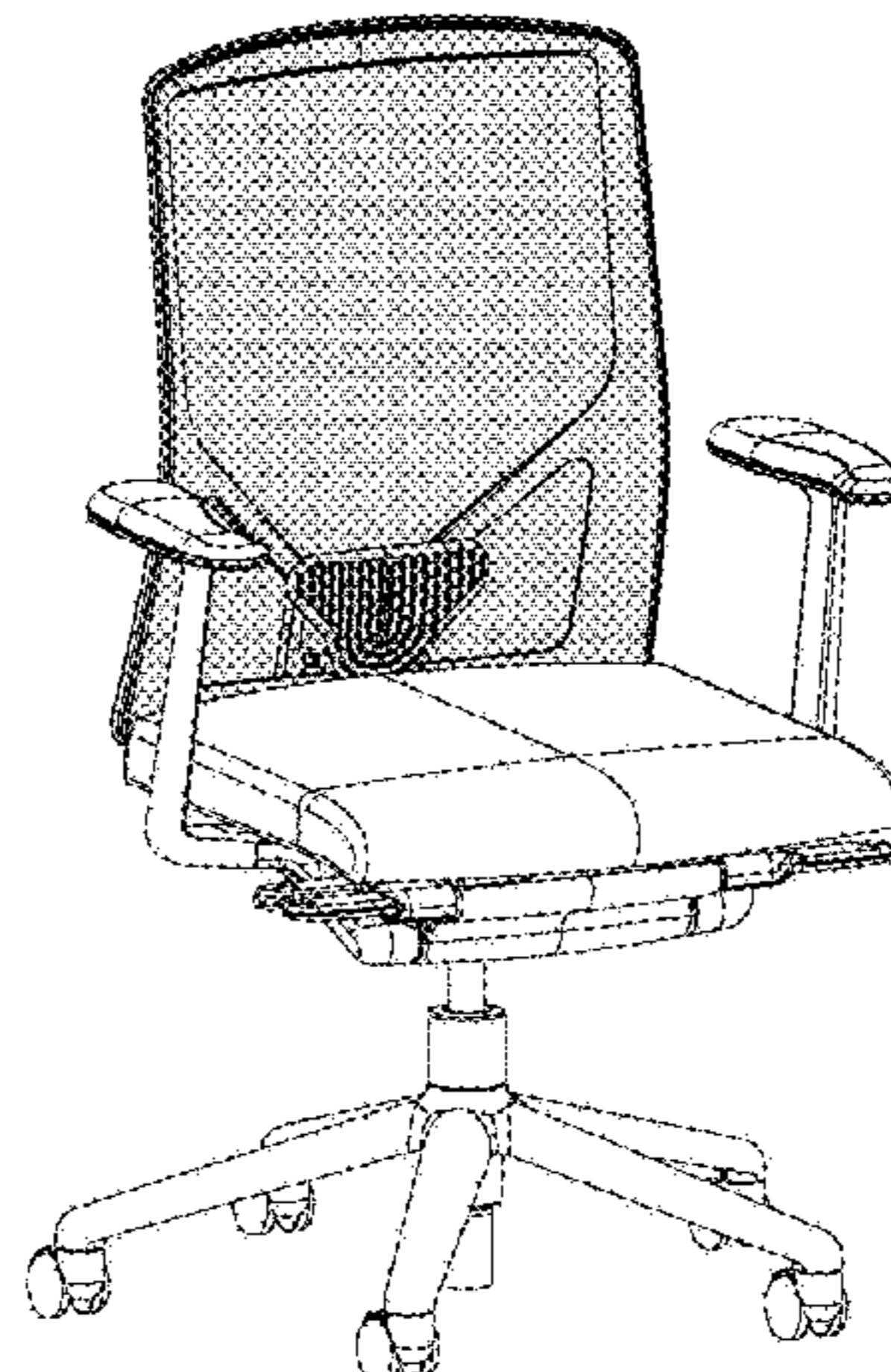
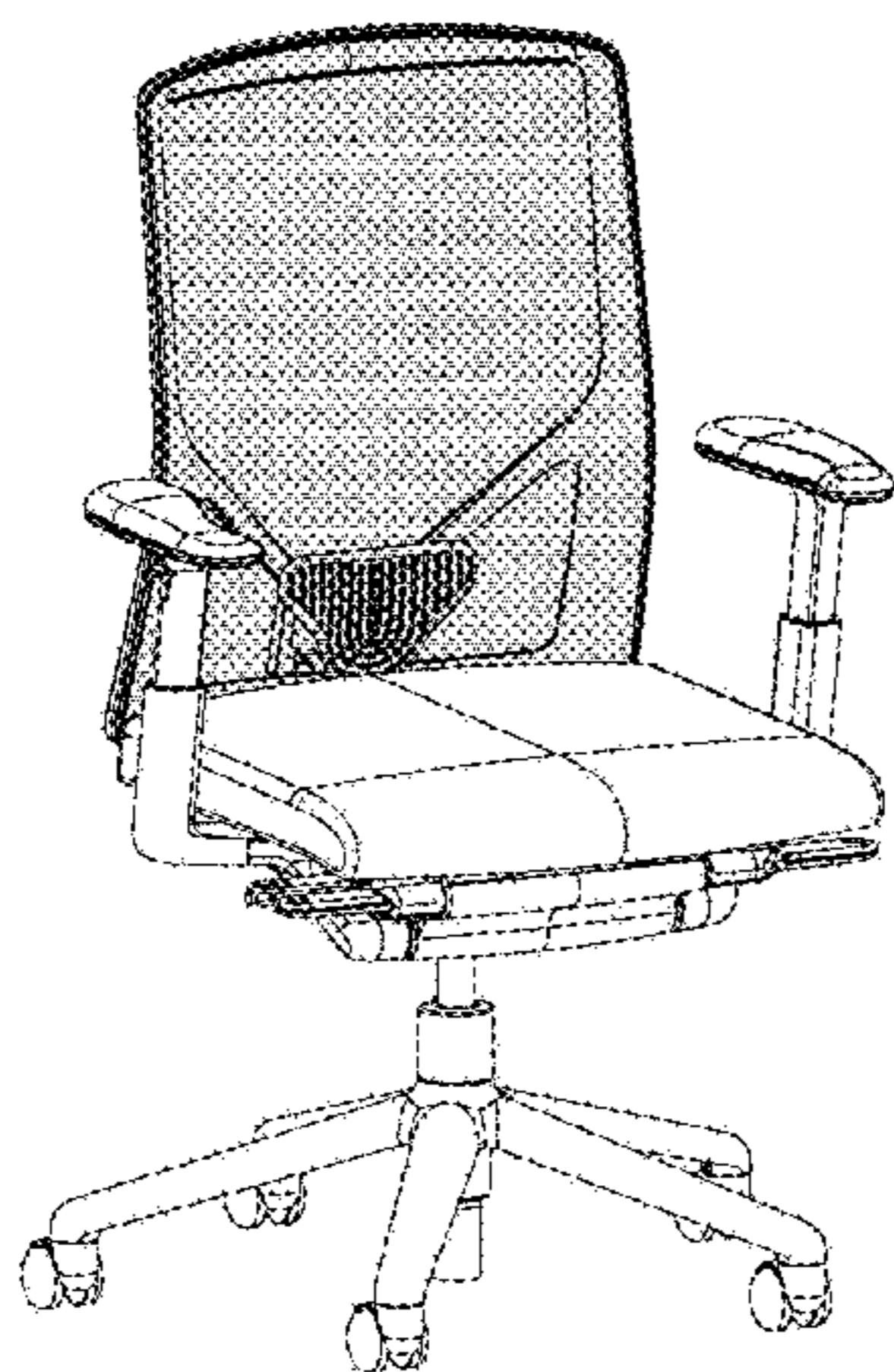
FIG. 16 is a bottom plan view of the mesh back task chair with pelvic positioning of FIG. 10;

FIG. 17 is a bottom plan view of the mesh back task chair with pelvic positioning of FIG. 10 with the support base removed for clarity; and,

FIG. 18 is a bottom plan view of the mesh back task chair with pelvic positioning of FIG. 10 with the support base, control mechanisms, and arms removed for clarity.

The particular mesh fabric of the chair back is shown for illustrative purposes only and forms no part of the claimed design.

1 Claim, 10 Drawing Sheets



(56)

References Cited

U.S. PATENT DOCUMENTS

D493,626 S *	8/2004	James	D6/366	D607,653 S *	1/2010	Wilkinson et al.	D6/366
D499,895 S *	12/2004	Olson et al.	D6/366	D613,085 S *	4/2010	Fujita	D6/366
6,959,965 B2	11/2005	Diffrient			D613,087 S *	4/2010	Fujita	D6/366
6,966,604 B2	11/2005	Stumpf			7,806,478 B1	10/2010	Cvek		
D514,832 S *	2/2006	Tsai	D6/366	D636,614 S *	4/2011	Sander et al.	D6/366
D517,820 S *	3/2006	Citterio	D6/366	D649,795 S *	12/2011	Izawa	D6/366
D521,755 S *	5/2006	Kinoshita et al.	D6/366	D652,223 S *	1/2012	Fujita	D6/366
D557,027 S *	12/2007	Hara	D6/366	D654,709 S *	2/2012	Fujita	D6/366
D558,995 S *	1/2008	Igarashi	D6/366	D654,710 S *	2/2012	Fujita	D6/366
D558,996 S *	1/2008	Igarashi	D6/366	D654,711 S *	2/2012	Fujita	D6/366
D559,571 S *	1/2008	Meda	D6/366	D655,522 S *	3/2012	Czumaj-Bront et al.	D6/366
D559,572 S *	1/2008	Igarashi	D6/366	D656,752 S *	4/2012	Moll	D6/366
D559,573 S *	1/2008	Igarashi	D6/366	D665,589 S *	8/2012	Wagner	D6/366
D559,574 S *	1/2008	Igarashi	D6/366	D665,592 S *	8/2012	Citterio	D6/366
D576,809 S *	9/2008	Christianson et al.	D6/356	D666,016 S *	8/2012	Citterio	D6/366
D582,170 S *	12/2008	Chi	D6/366	D667,231 S *	9/2012	Citterio	D6/366
7,517,024 B2	4/2009	Cvek			D670,927 S *	11/2012	Hurford	D6/366
D595,970 S *	7/2009	Ueda	D6/366	D671,759 S *	12/2012	Hurford	D6/366
D597,329 S *	8/2009	Tanaka et al.	D6/366	D688,056 S *	8/2013	Phillips et al.	D6/366
D597,349 S *	8/2009	Wilkinson et al.	D6/502	D688,483 S *	8/2013	Aratani	D6/366
D600,462 S *	9/2009	Ooki et al.	D6/366	D690,523 S *	10/2013	Choi	D6/366
					D696,886 S *	1/2014	Nakamura	D6/716.4
					2005/0275265 A1	12/2005	Deimen		

* cited by examiner

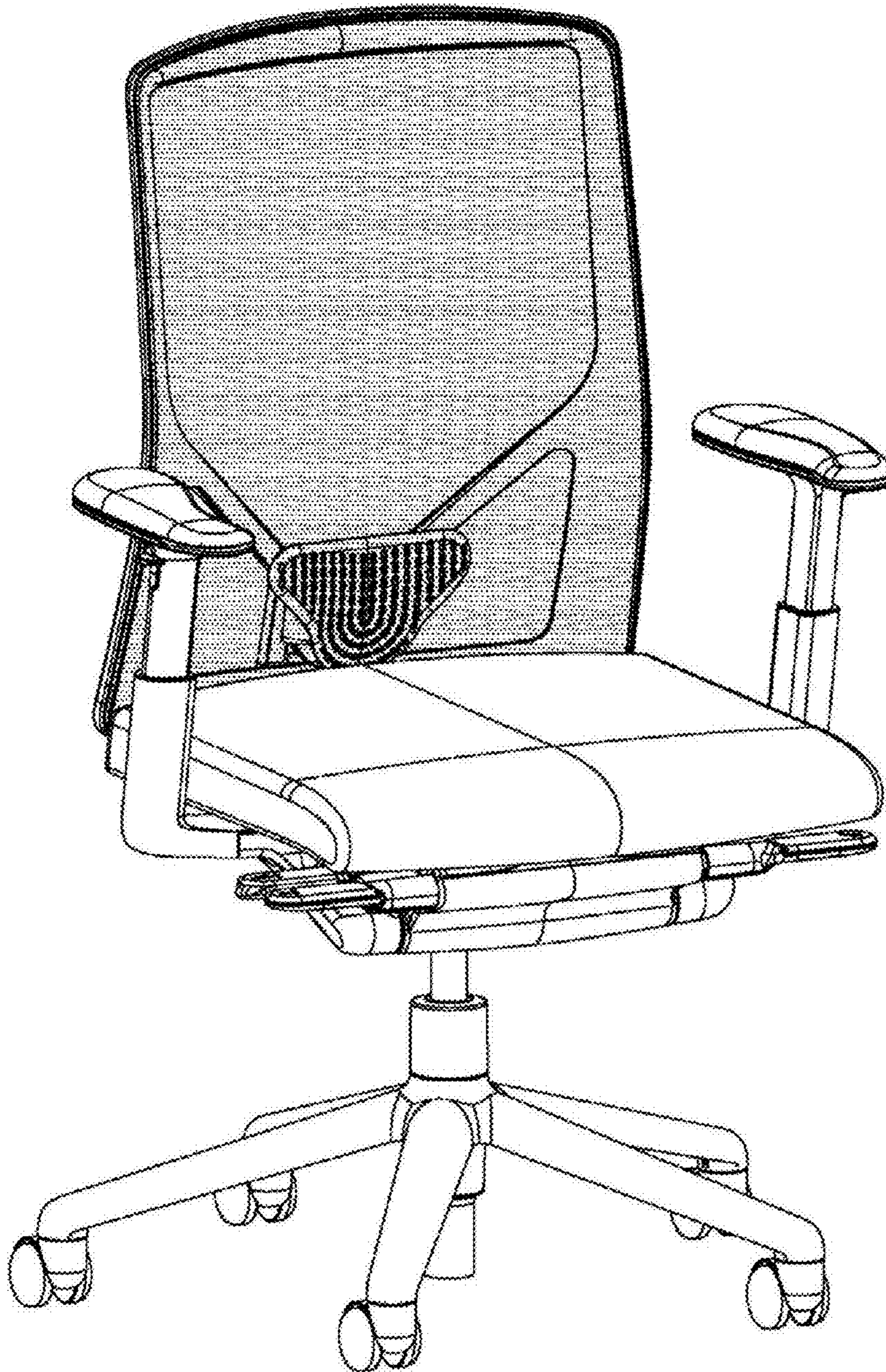


FIG. 1

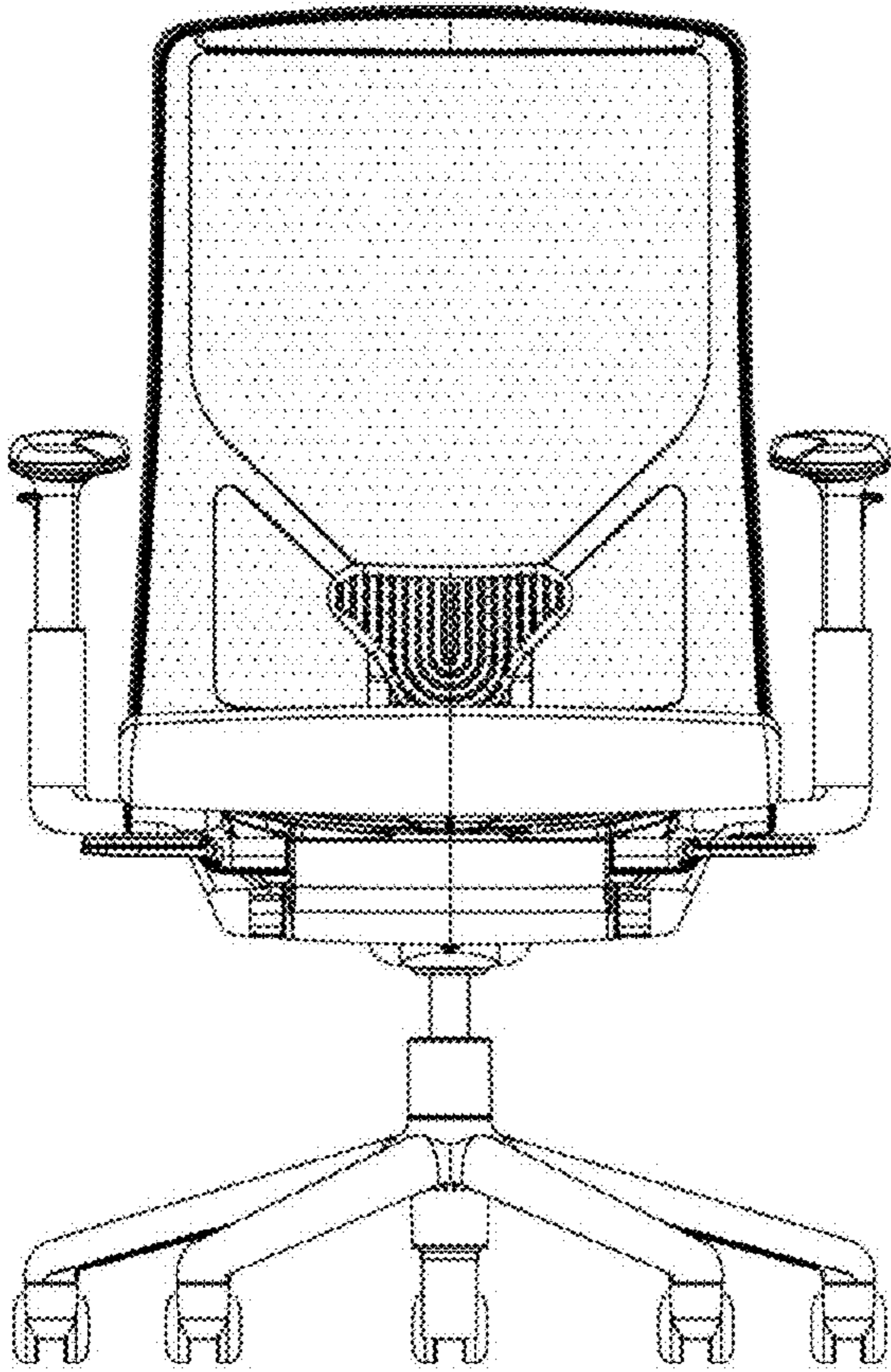


FIG. 2

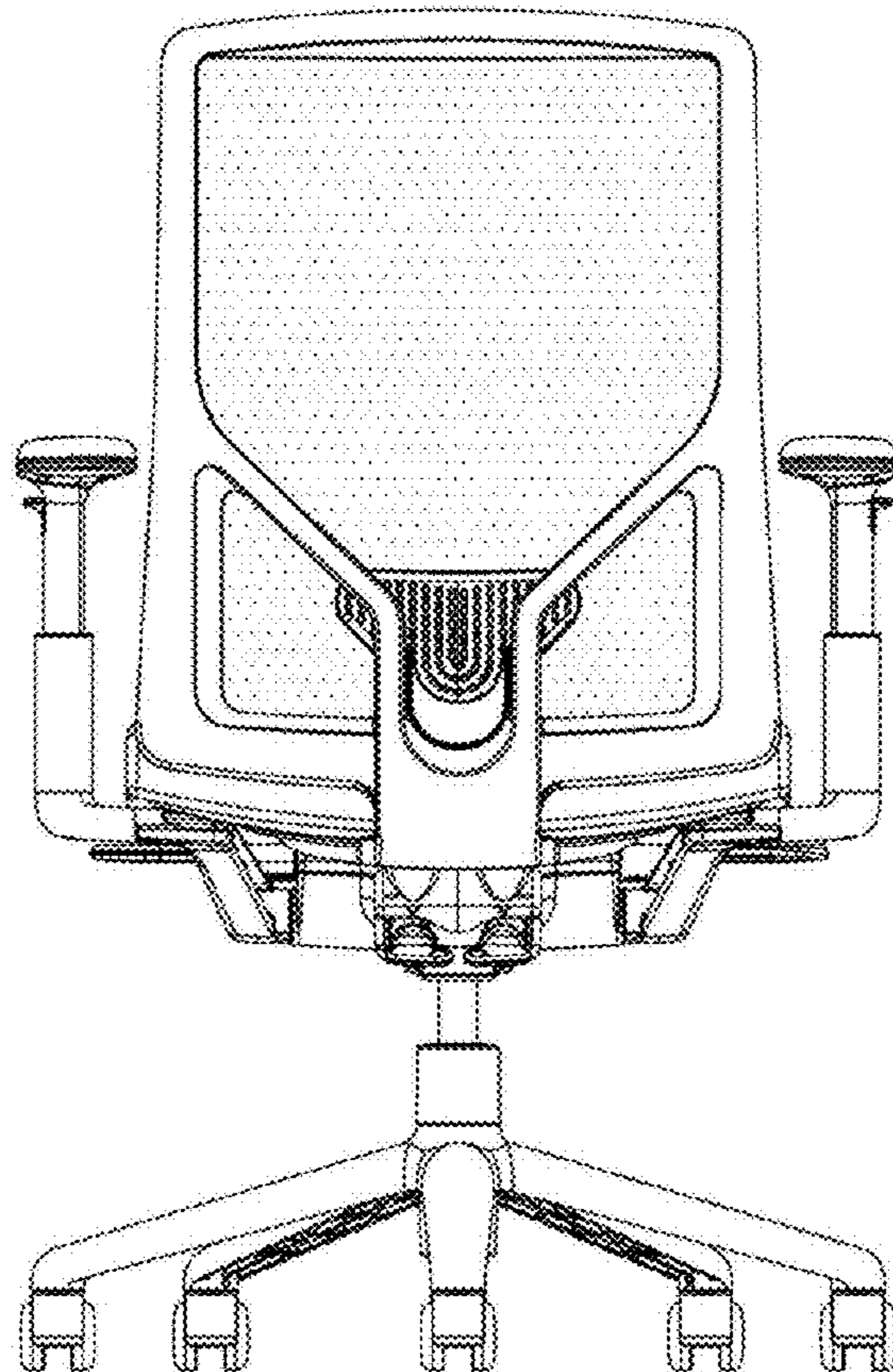


FIG. 3

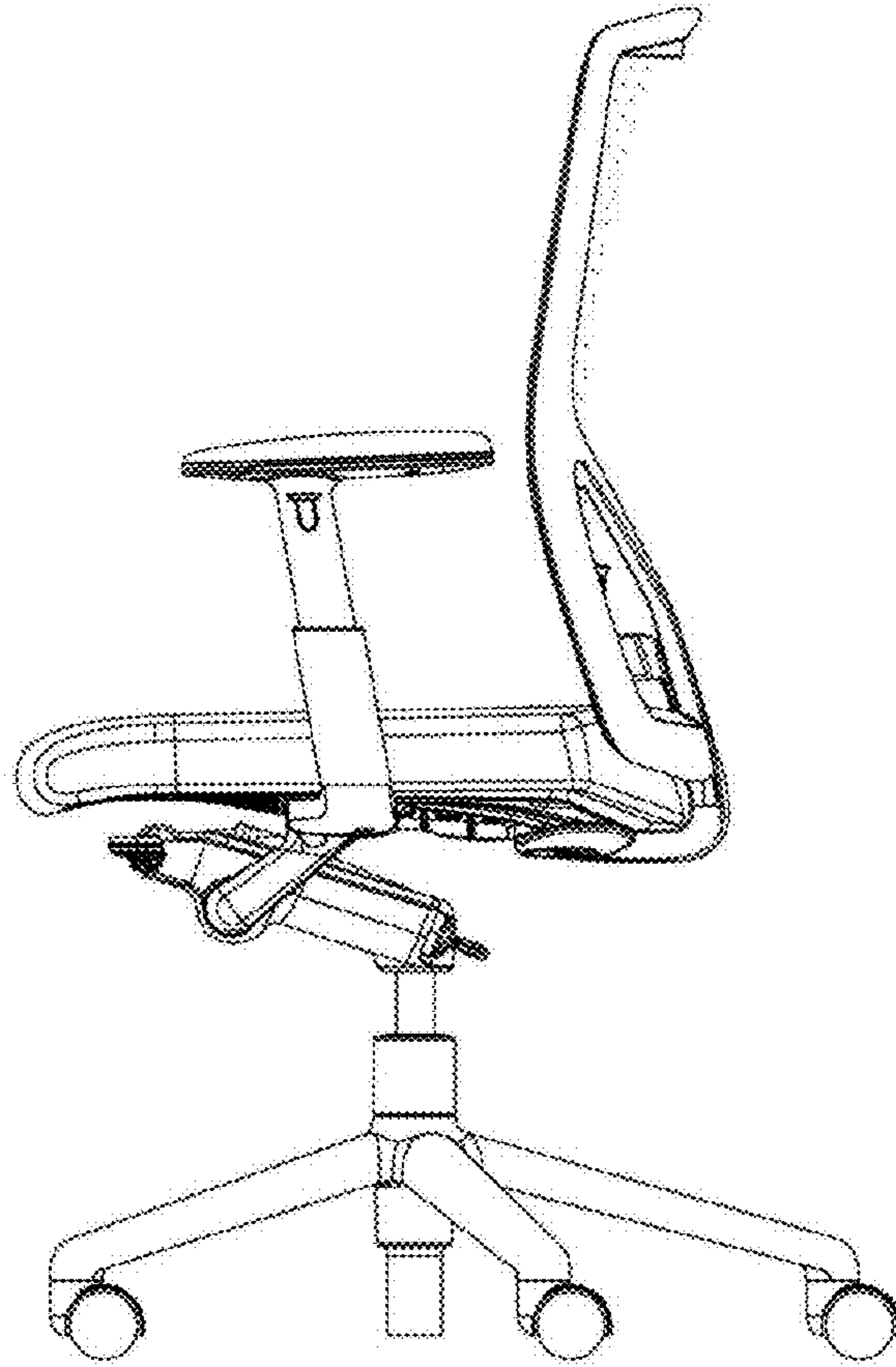


FIG. 4

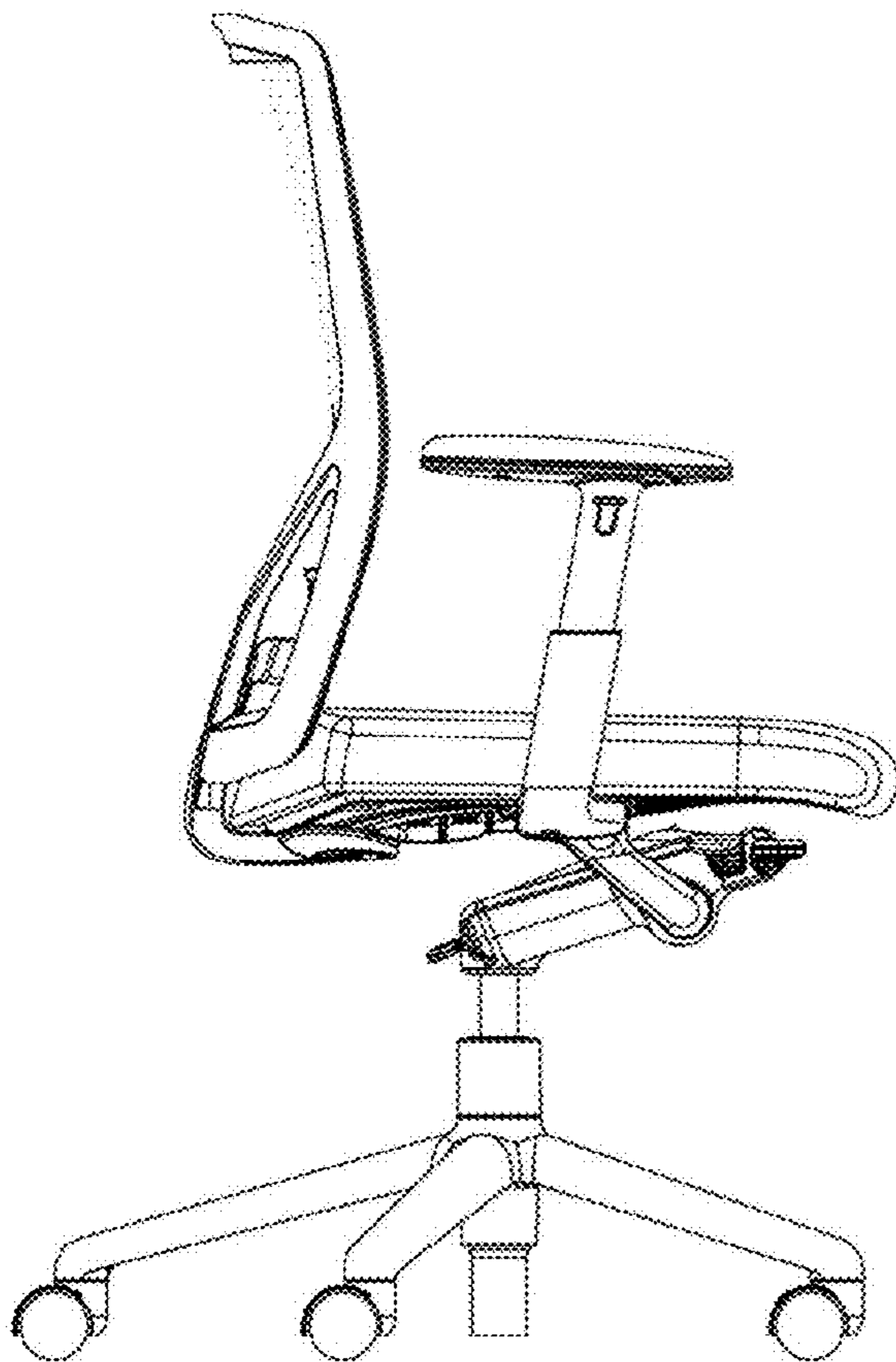


FIG. 5

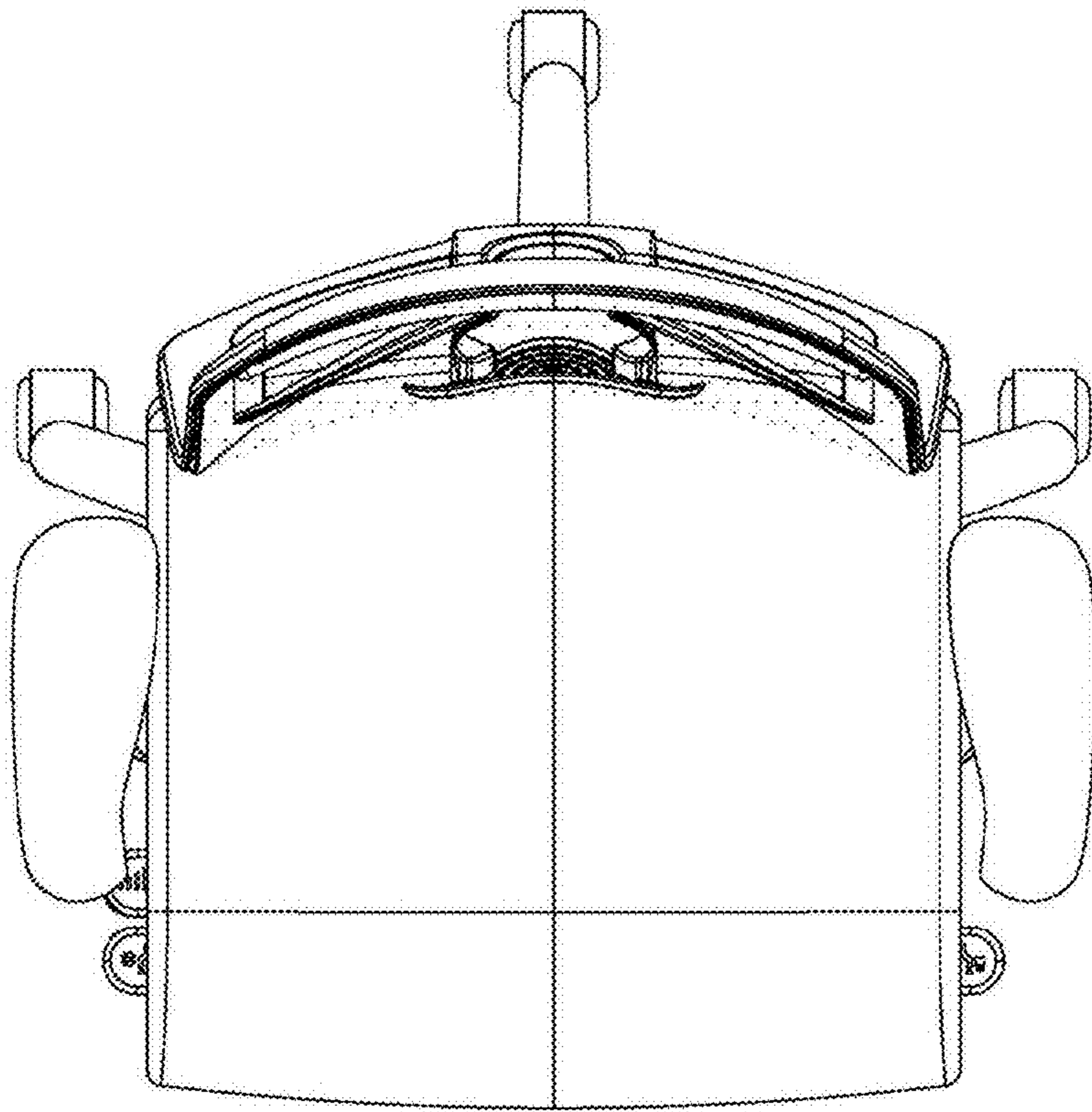


FIG. 6

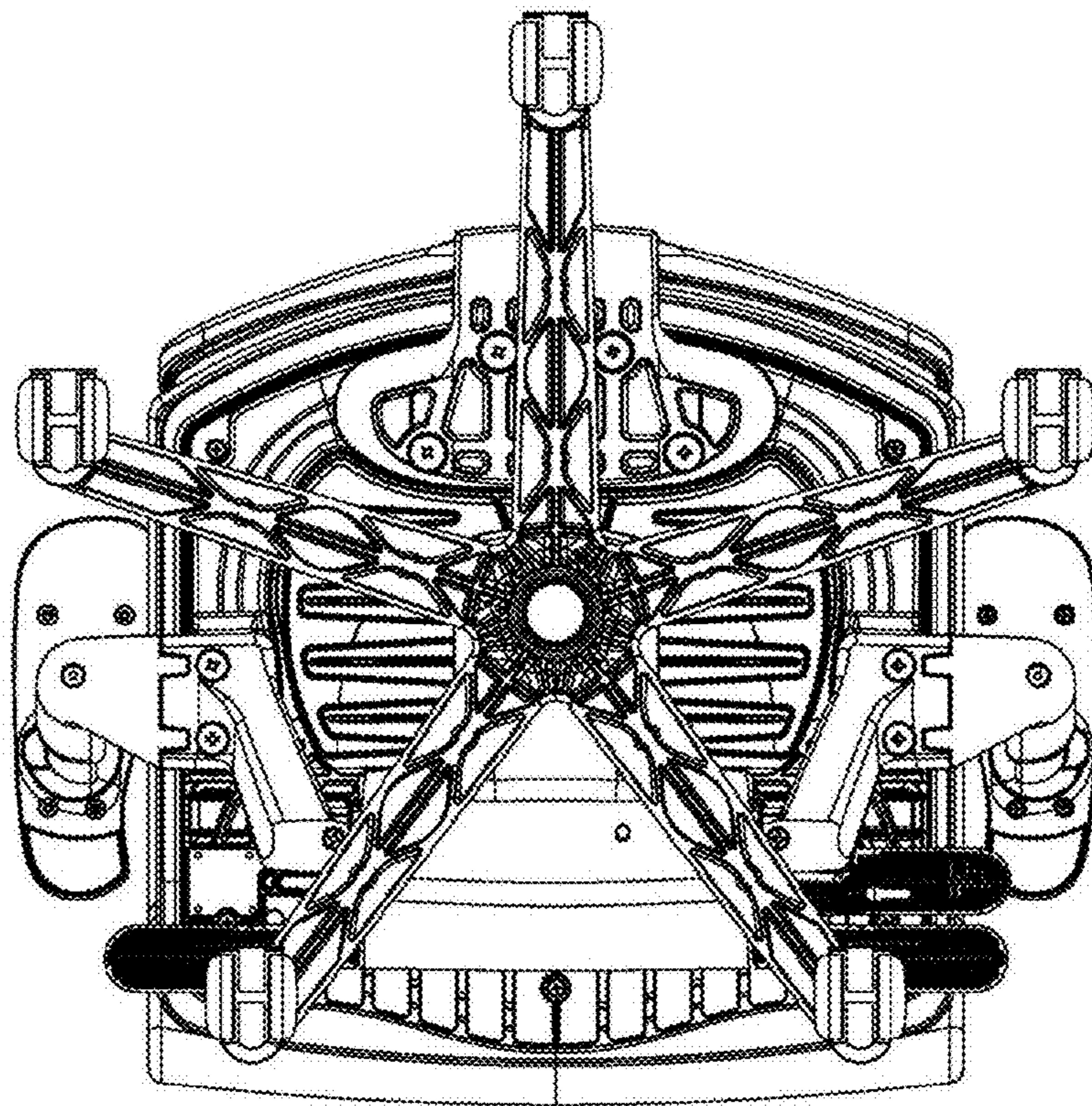


FIG. 7

FIG. 8

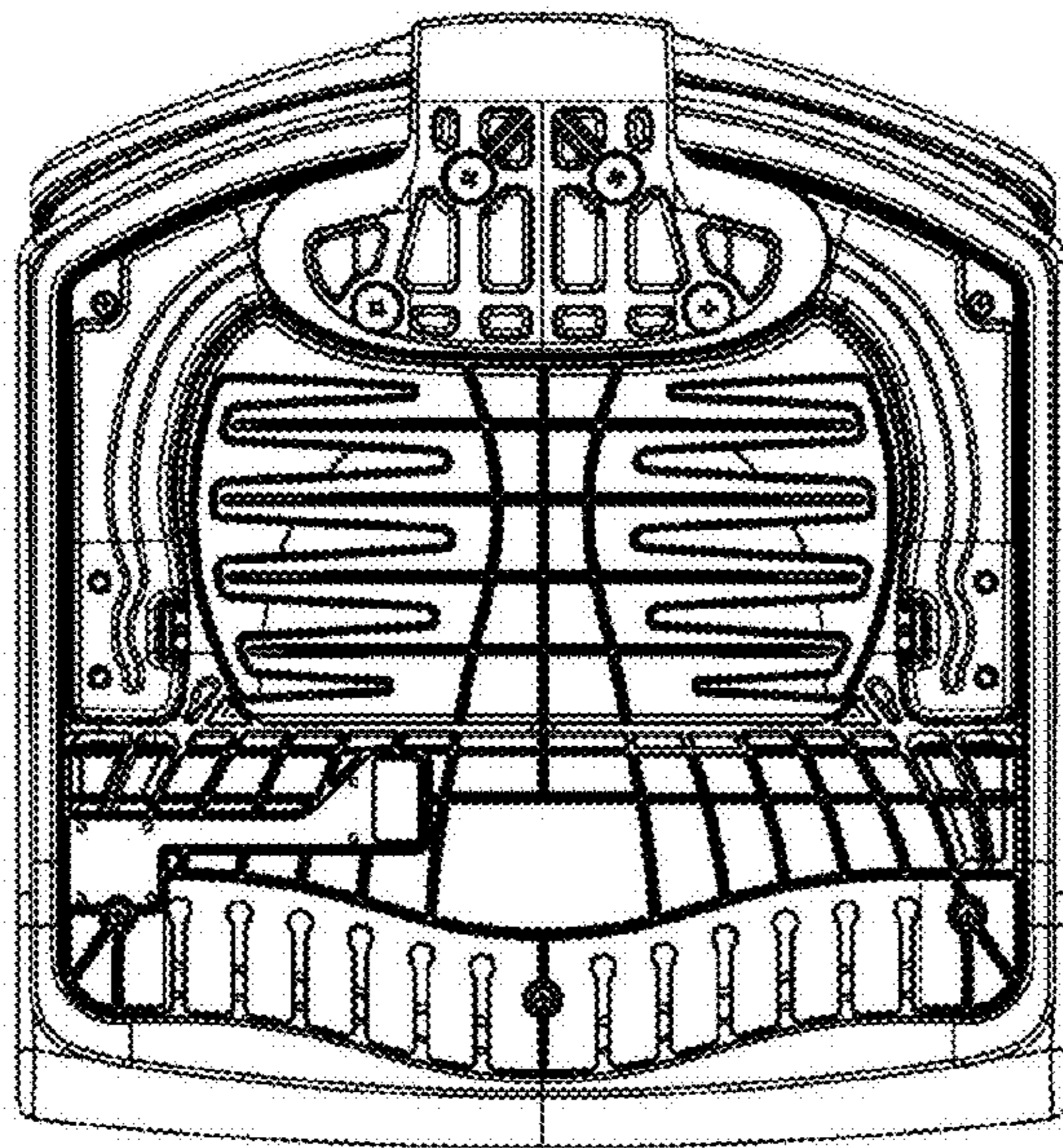
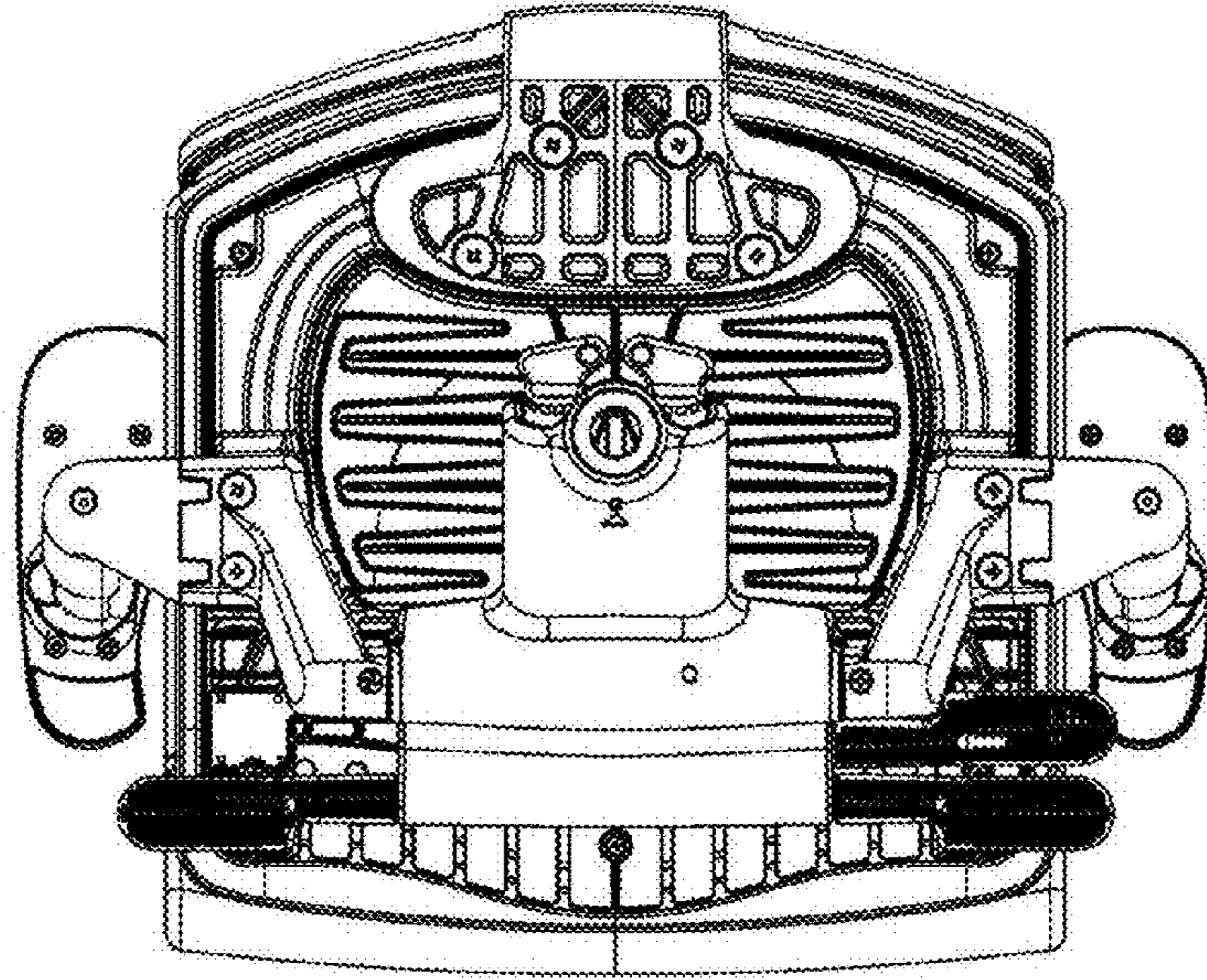


FIG. 9

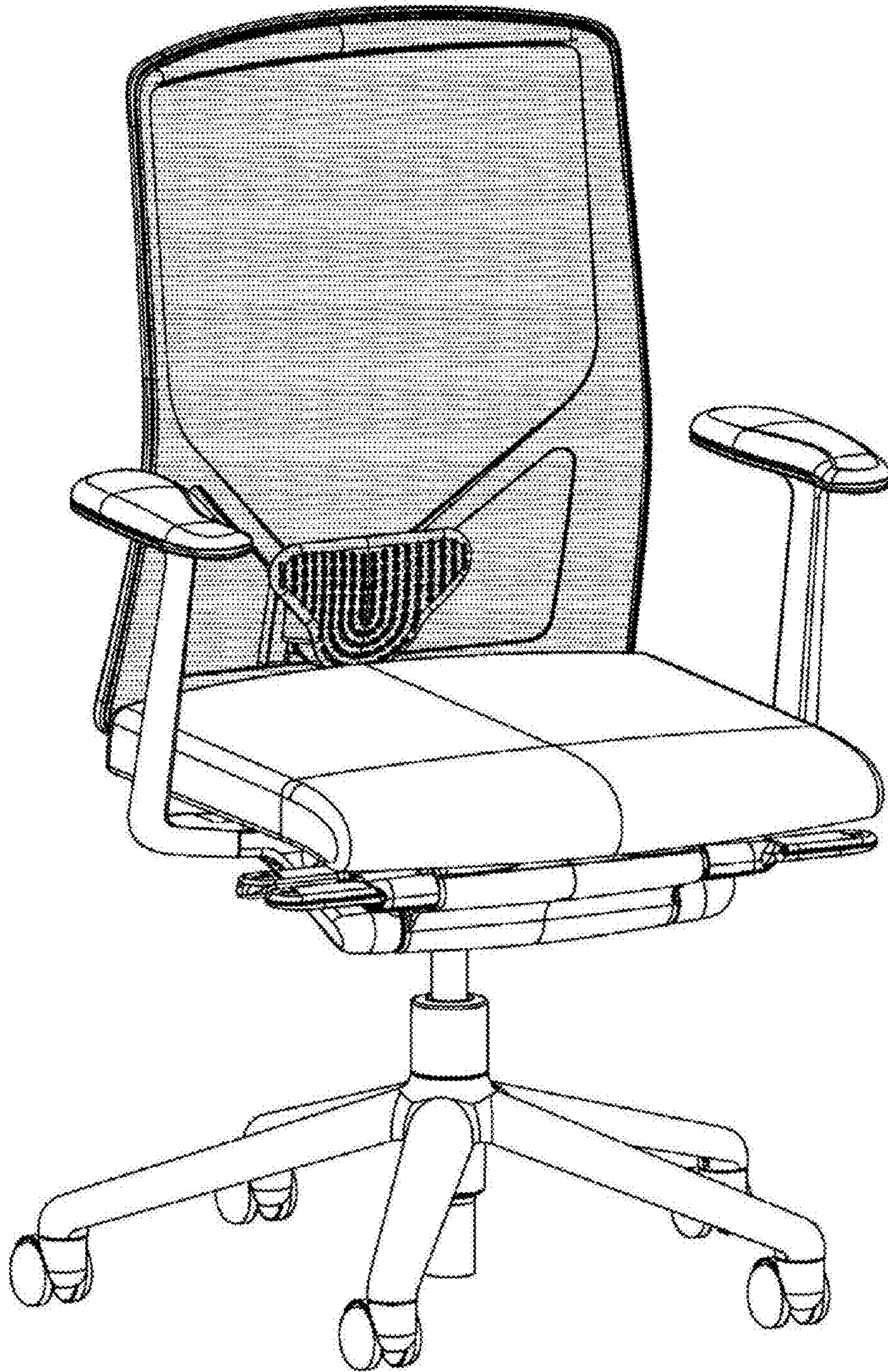


FIG. 10

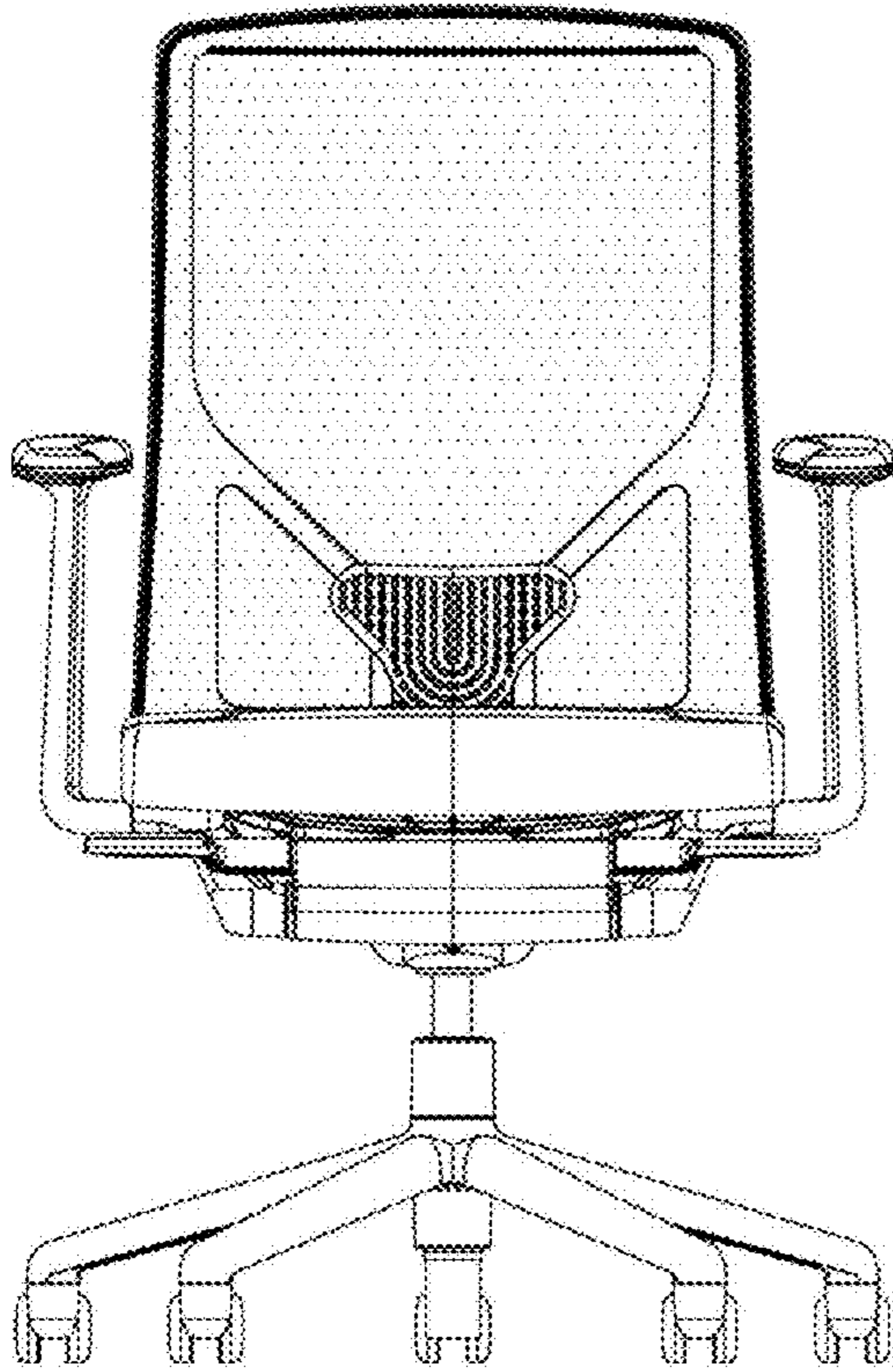


FIG. 11

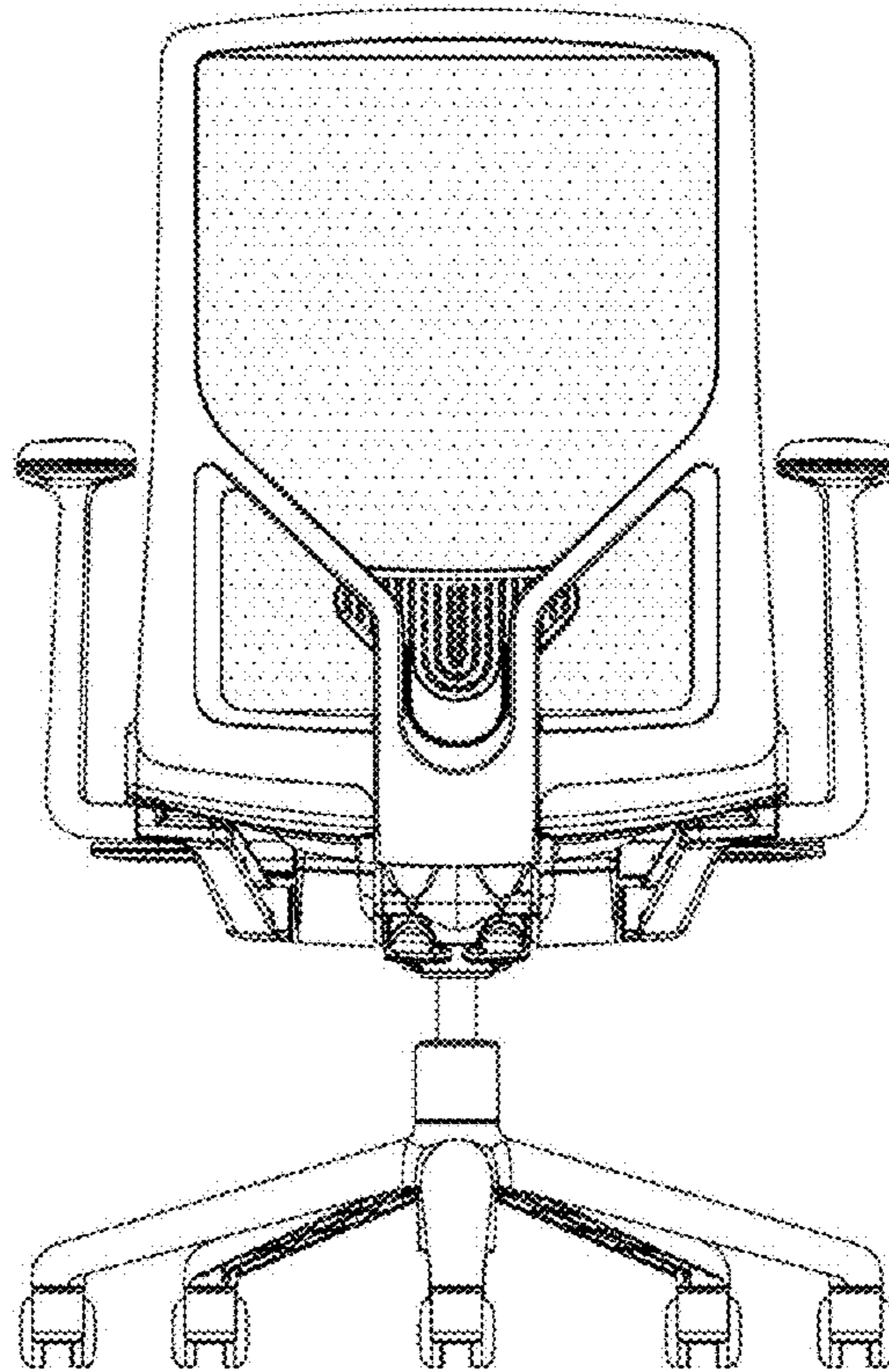


FIG. 12

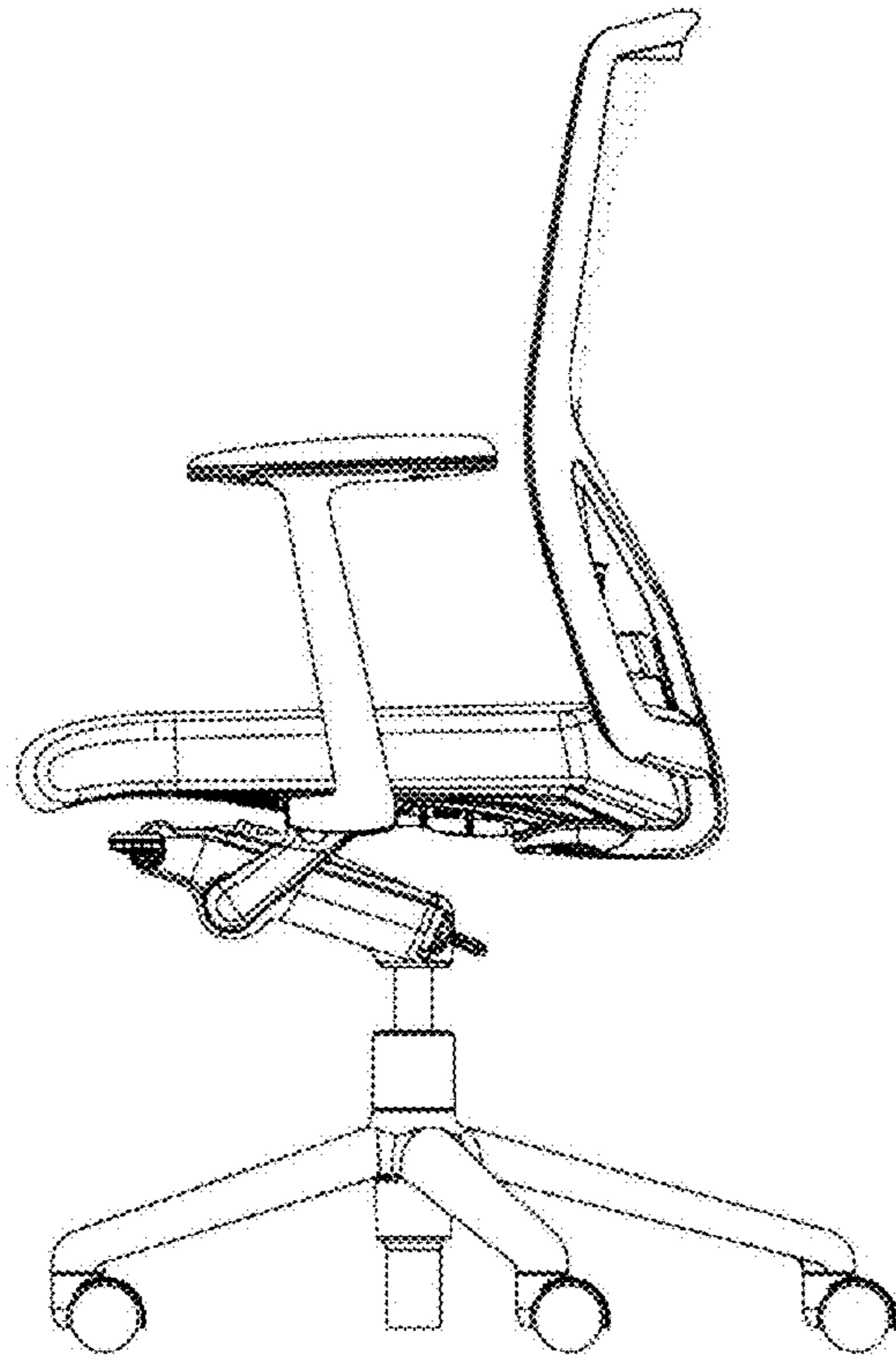


FIG. 13

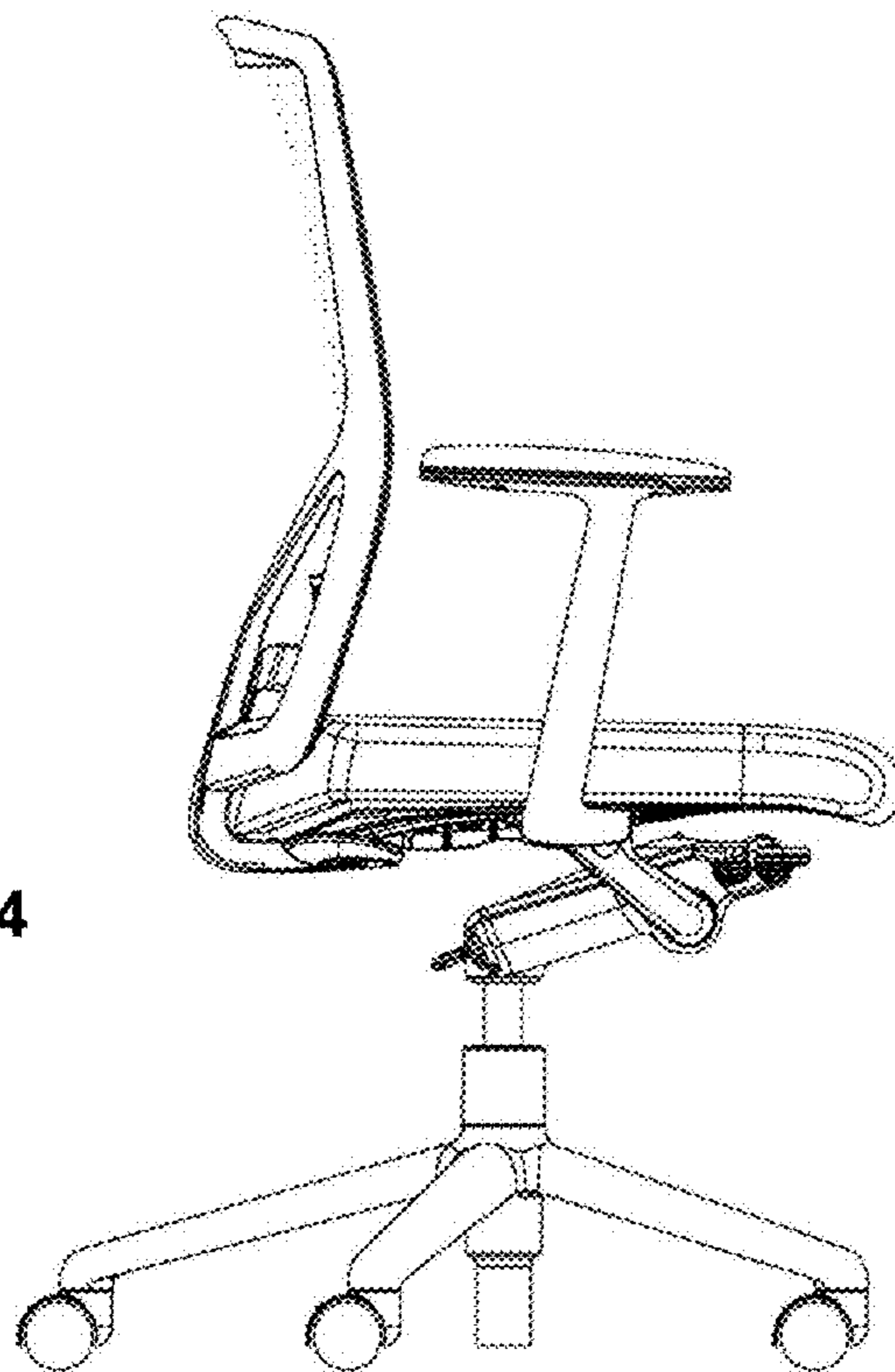


FIG. 14

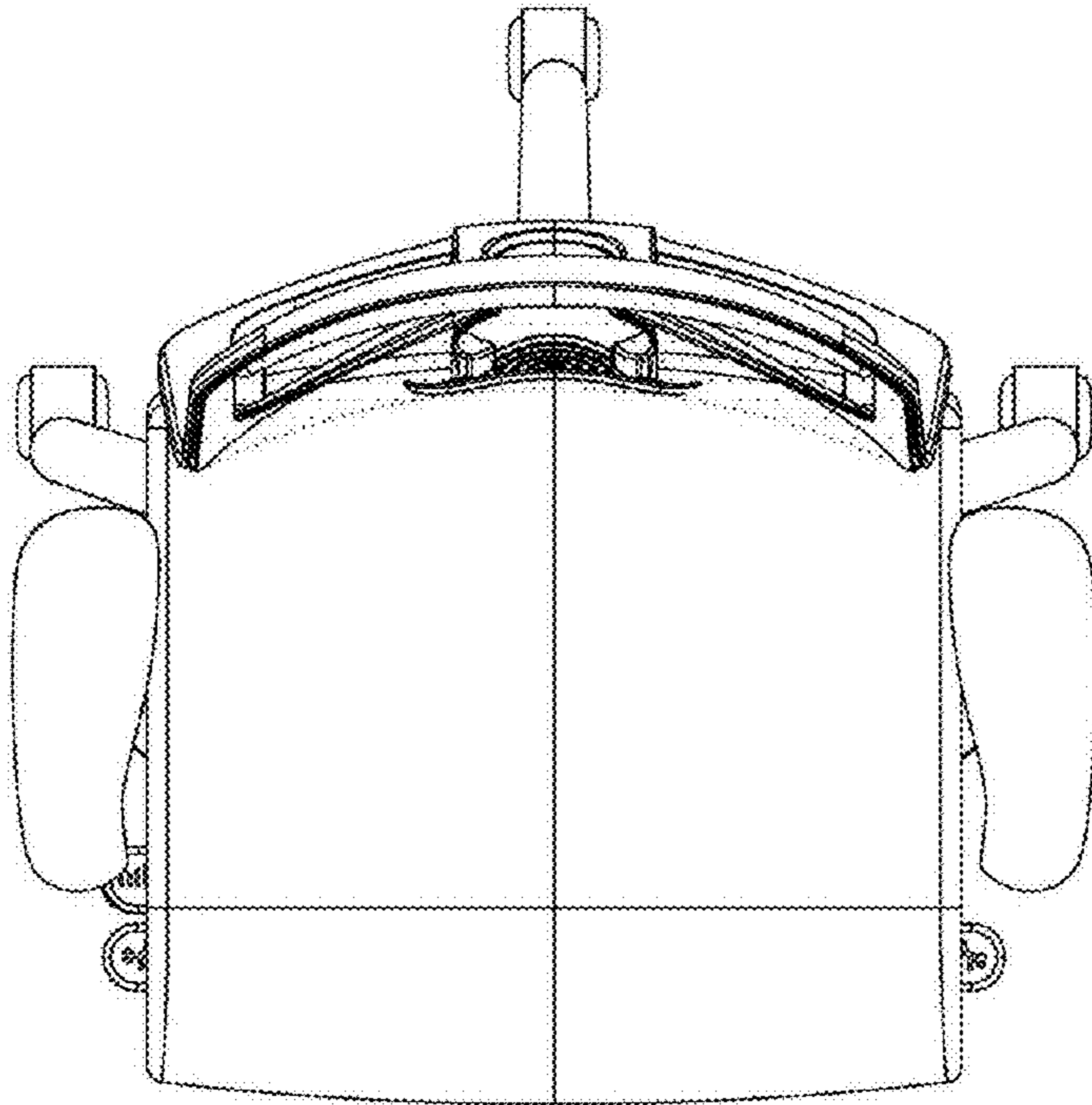


FIG. 15

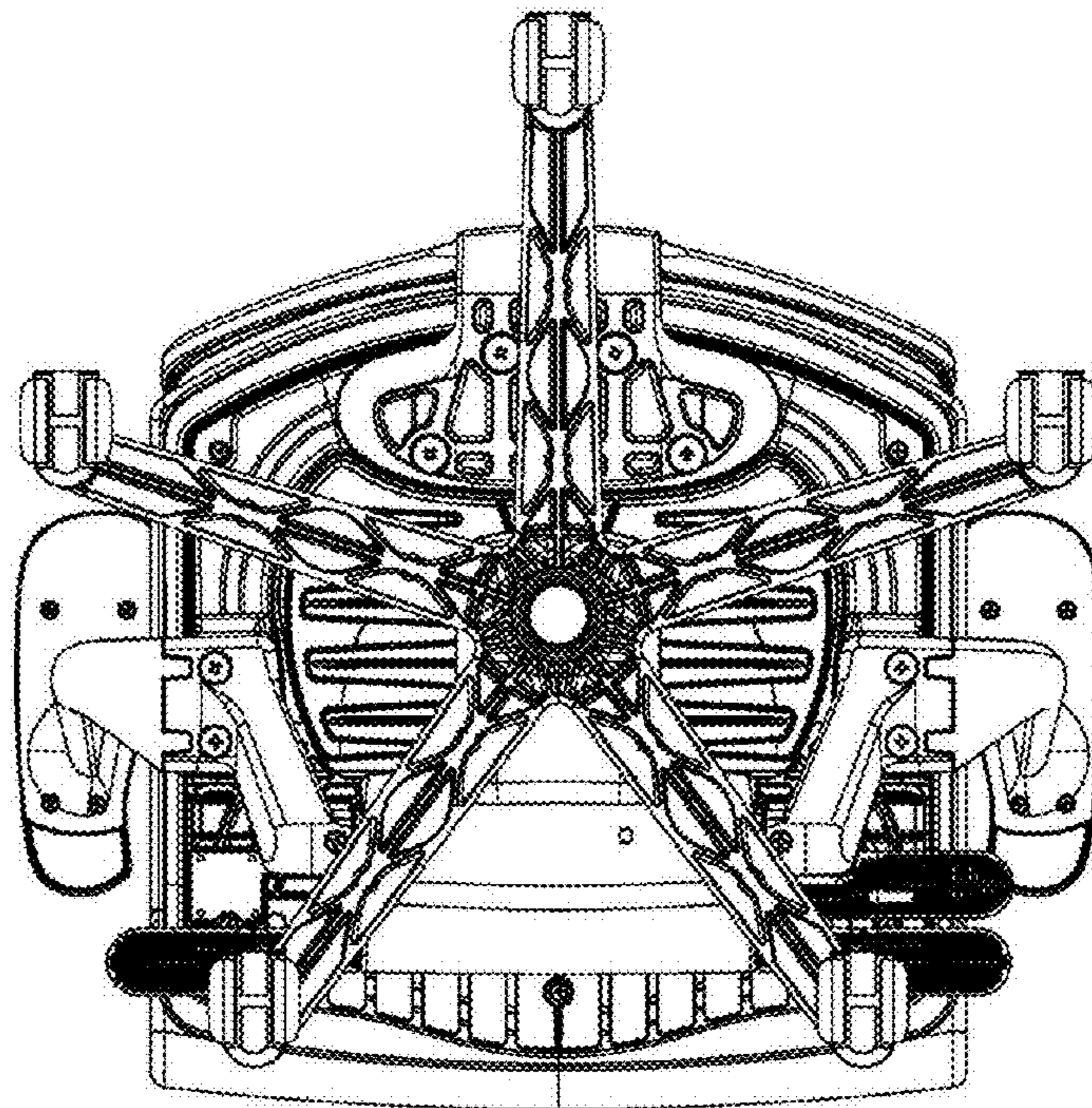


FIG. 16

FIG. 17

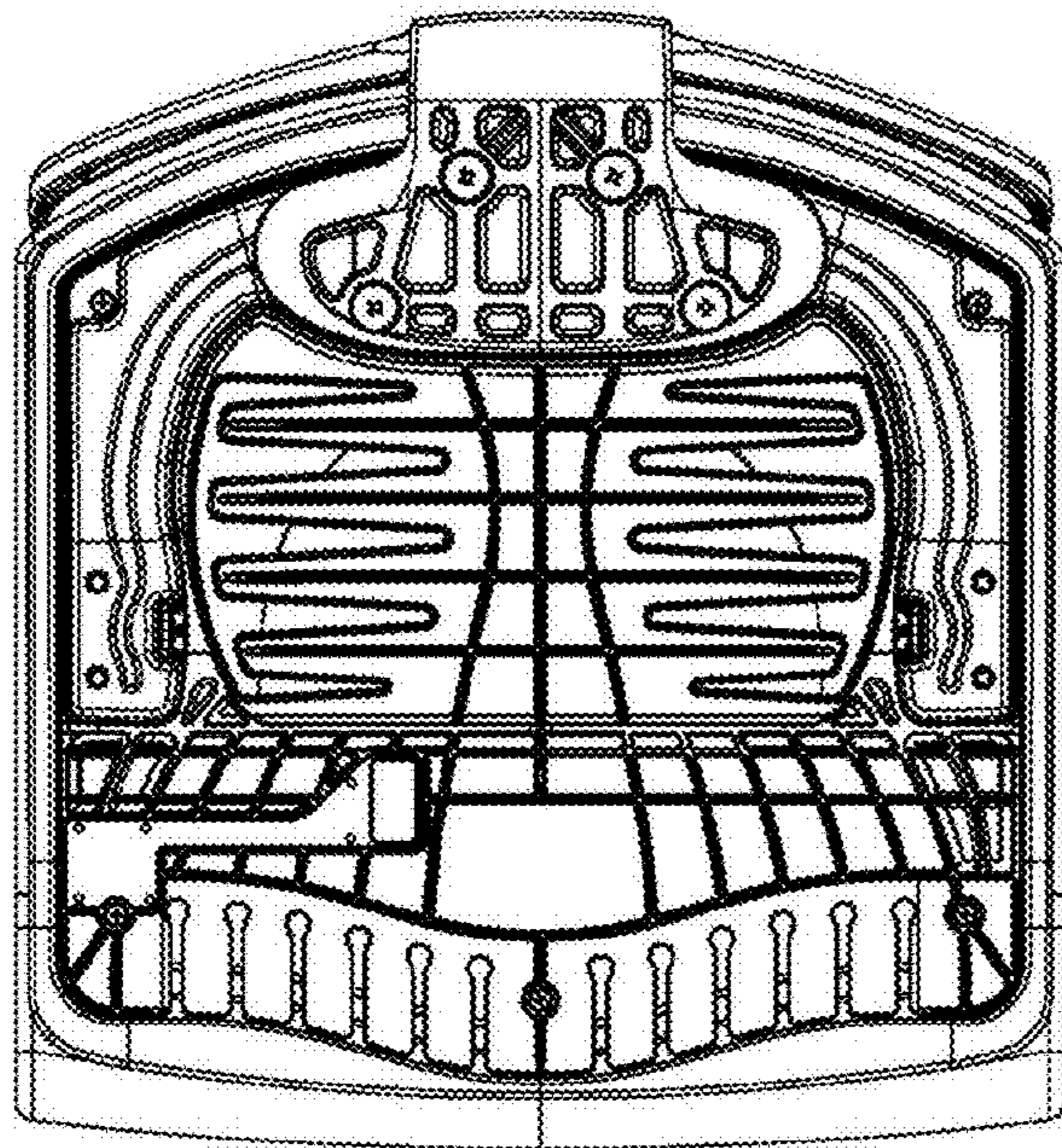
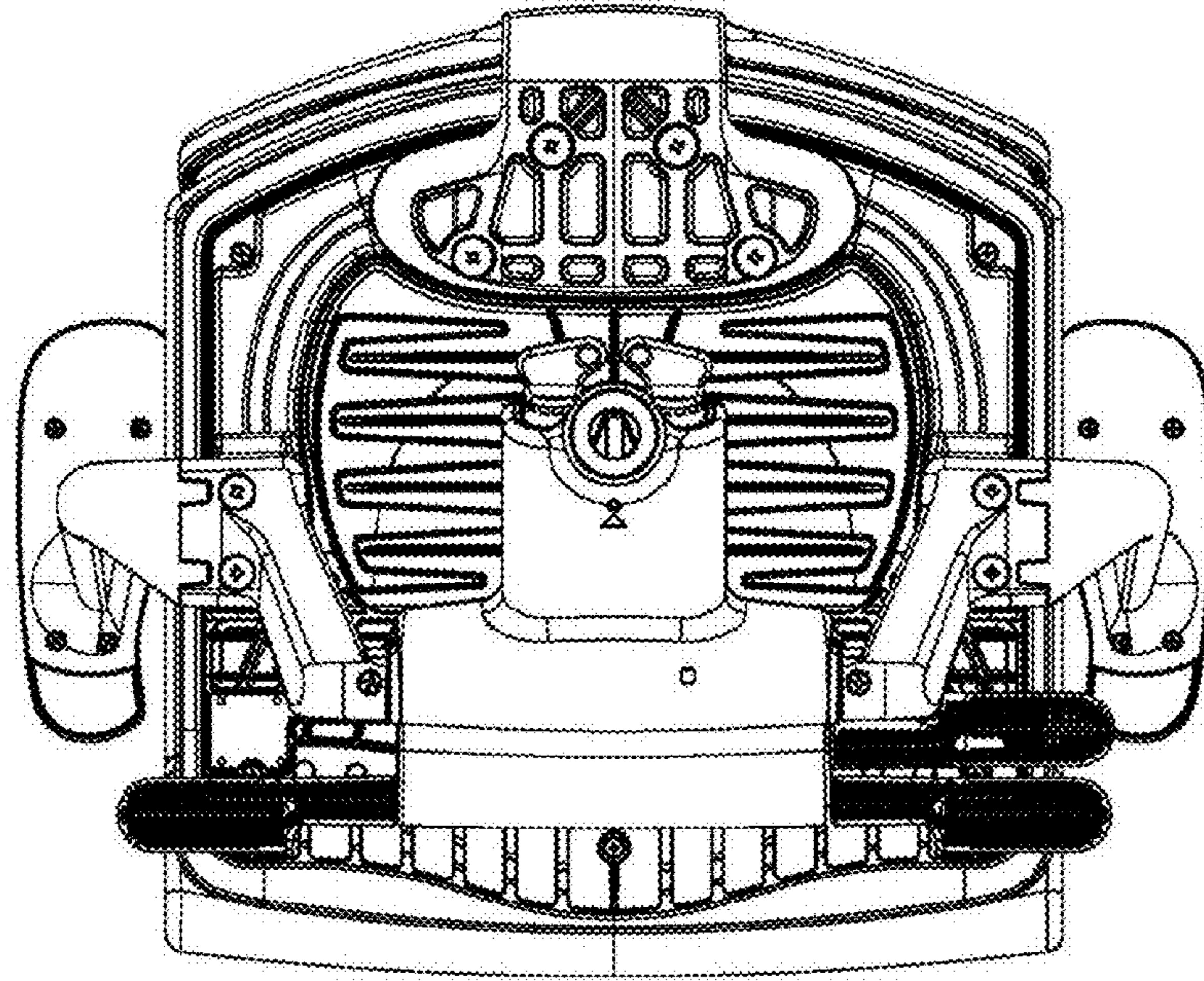


FIG. 18