



US00D714069S

(12) **United States Design Patent**  
**Cvek**

(10) **Patent No.:** **US D714,069 S**  
(45) **Date of Patent:** **\*\* Sep. 30, 2014**

(54) **MESH BACK TASK CHAIR**

(71) Applicant: **Sava Cvek**, Jamaica Plain, MA (US)

(72) Inventor: **Sava Cvek**, Jamaica Plain, MA (US)

(\*\*) Term: **14 Years**

(21) Appl. No.: **29/473,117**

(22) Filed: **Nov. 19, 2013**

(51) **LOC (10) Cl.** ..... **06-01**

(52) **U.S. Cl.**  
USPC ..... **D6/366**

(58) **Field of Classification Search**

USPC ..... D6/334-336, 356, 360-381, 716,  
D6/716.1-716.4; 297/411.2, 411.28,  
297/452.21, 452.26, 452.29, 452.32,  
297/452.35, 452.48

See application file for complete search history.

(56) **References Cited**

U.S. PATENT DOCUMENTS

233,140	A	10/1880	Candrian	
2,819,911	A	1/1958	Syak	
4,854,641	A	8/1989	Reineman	
5,772,282	A	6/1998	Stumpf	
6,386,634	B1	5/2002	Stumpf	
6,709,058	B1	3/2004	Diffrient	
D493,626	S *	8/2004	James	D6/366
D499,895	S *	12/2004	Olson et al.	D6/366

(Continued)

*Primary Examiner* — Ricky Pham

(74) *Attorney, Agent, or Firm* — O'Connell Law Firm;  
Thomas P. O'Connell

(57) **CLAIM**

The new and ornamental design for a mesh back task chair, as shown and described.

**DESCRIPTION**

FIG. 1 is a perspective view of a mesh back task chair showing my new design;

FIG. 2 is a view in front elevation of the mesh back task chair of FIG. 1;

FIG. 3 is a view in rear elevation of the mesh back task chair of FIG. 1;

FIG. 4 is a view in left side elevation of the mesh back task chair of FIG. 1;

FIG. 5 is a view in right side elevation of the mesh back task chair of FIG. 1;

FIG. 6 is a top plan view of the mesh back task chair of FIG. 1;

FIG. 7 is a bottom plan view of the mesh back task chair of FIG. 1;

FIG. 8 is a bottom plan view of the mesh back task chair of FIG. 1 with the support base removed for clarity;

FIG. 9 is a bottom plan view of the mesh back task chair of FIG. 1 with the support base, control mechanisms, and arms removed for clarity;

FIG. 10 is a perspective view of a mesh back task chair showing my new design with fixed-height arms;

FIG. 11 is a view in front elevation of the mesh back task chair of FIG. 10;

FIG. 12 is a view in rear elevation of the mesh back task chair of FIG. 10;

FIG. 13 is a view in left side elevation of the mesh back task chair of FIG. 10;

FIG. 14 is a view in right side elevation of the mesh back task chair of FIG. 10;

FIG. 15 is a top plan view of the mesh back task chair of FIG. 10;

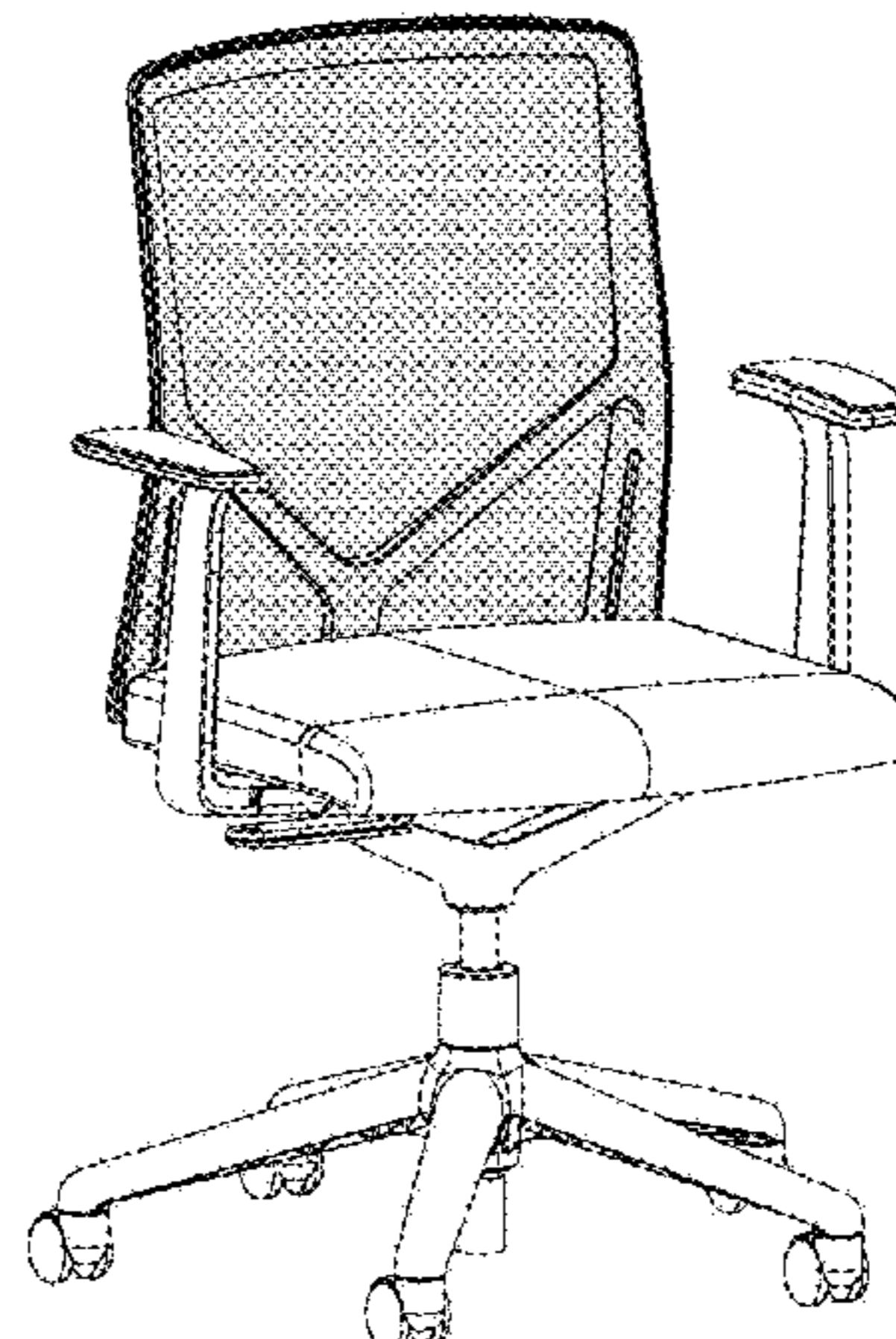
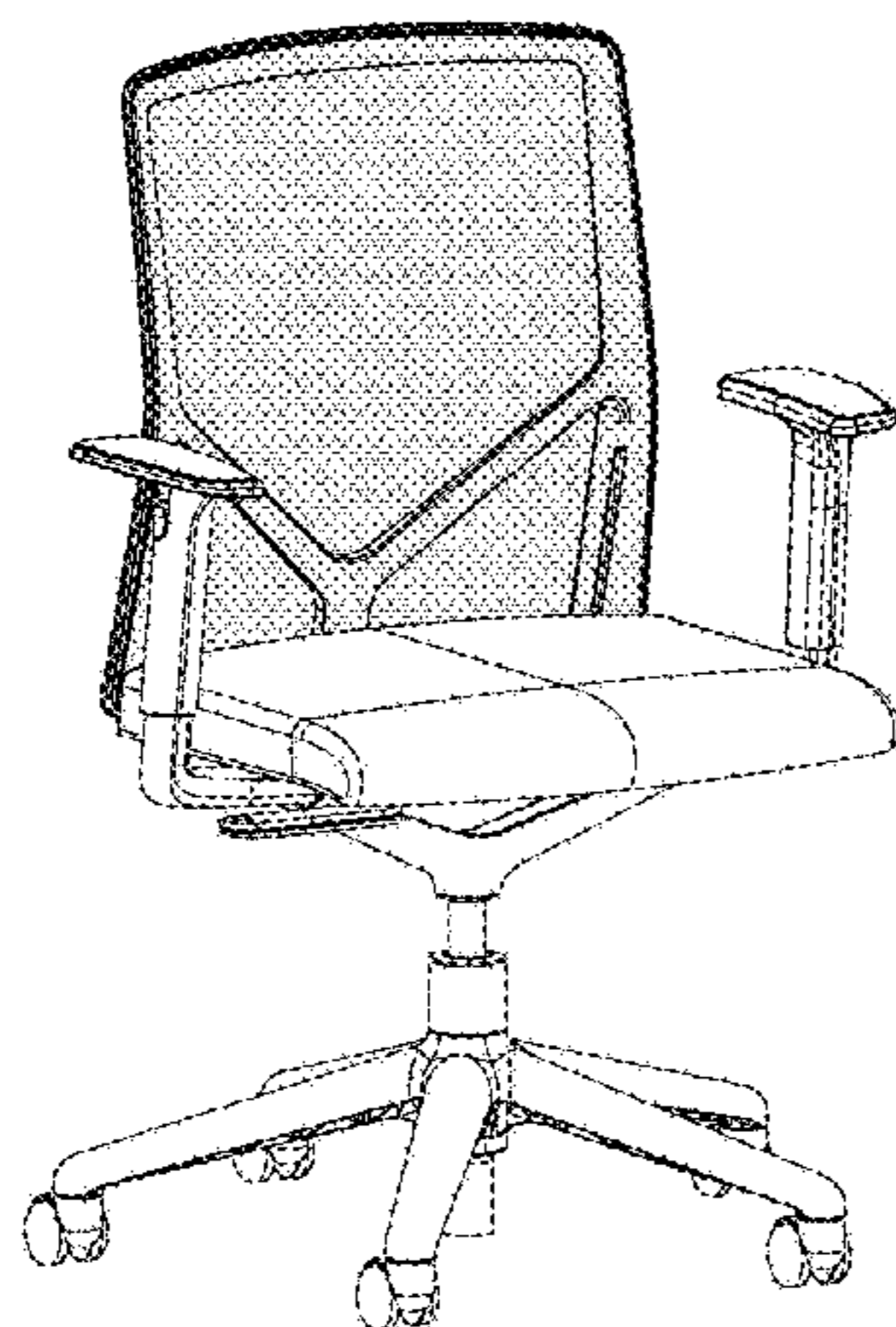
FIG. 16 is a bottom plan view of the mesh back task chair of FIG. 10;

FIG. 17 is a bottom plan view of the mesh back task chair of FIG. 10 with the support base removed for clarity; and,

FIG. 18 is a bottom plan view of the mesh back task chair of FIG. 10 with the support base, control mechanisms, and arms removed for clarity.

The particular mesh fabric of the chair back is shown for illustrative purposes only and forms no part of the claimed design.

**1 Claim, 10 Drawing Sheets**



(56)

References Cited

U.S. PATENT DOCUMENTS

6,959,965 B2 11/2005 Diffrient  
 6,966,604 B2 11/2005 Stumpf  
 D514,832 S \* 2/2006 Tsai ..... D6/366  
 D517,820 S \* 3/2006 Citterio ..... D6/366  
 D521,755 S \* 5/2006 Kinoshita et al. .... D6/366  
 D557,027 S \* 12/2007 Hara ..... D6/366  
 D558,995 S \* 1/2008 Igarashi ..... D6/366  
 D558,996 S \* 1/2008 Igarashi ..... D6/366  
 D559,571 S \* 1/2008 Meda ..... D6/366  
 D559,572 S \* 1/2008 Igarashi ..... D6/366  
 D559,573 S \* 1/2008 Igarashi ..... D6/366  
 D559,574 S \* 1/2008 Igarashi ..... D6/366  
 D576,809 S \* 9/2008 Christianson et al. .... D6/356  
 D582,170 S \* 12/2008 Chi ..... D6/366  
 7,517,024 B2 4/2009 Cvek  
 D595,970 S \* 7/2009 Ueda ..... D6/366  
 D597,329 S \* 8/2009 Tanaka et al. .... D6/366  
 D597,349 S \* 8/2009 Wilkinson et al. .... D6/502  
 D600,462 S \* 9/2009 Ooki et al. .... D6/366  
 D607,653 S \* 1/2010 Wilkinson et al. .... D6/366

D613,085 S \* 4/2010 Fujita ..... D6/366  
 D613,087 S \* 4/2010 Fujita ..... D6/366  
 7,806,478 B1 10/2010 Cvek  
 D636,614 S \* 4/2011 Sander et al. .... D6/366  
 D649,795 S \* 12/2011 Izawa ..... D6/366  
 D652,223 S \* 1/2012 Fujita ..... D6/366  
 D654,709 S \* 2/2012 Fujita ..... D6/366  
 D654,710 S \* 2/2012 Fujita ..... D6/366  
 D654,711 S \* 2/2012 Fujita ..... D6/366  
 D655,522 S \* 3/2012 Czumaj-Bront et al. .... D6/366  
 D656,752 S \* 4/2012 Moll ..... D6/366  
 D665,589 S \* 8/2012 Wagner ..... D6/366  
 D665,592 S \* 8/2012 Citterio ..... D6/366  
 D666,016 S \* 8/2012 Citterio ..... D6/366  
 D667,231 S \* 9/2012 Citterio ..... D6/366  
 D670,927 S \* 11/2012 Hurford ..... D6/366  
 D671,759 S \* 12/2012 Hurford ..... D6/366  
 D688,056 S \* 8/2013 Phillips et al. .... D6/366  
 D688,483 S \* 8/2013 Aratani ..... D6/366  
 D690,523 S \* 10/2013 Choi ..... D6/366  
 D696,886 S \* 1/2014 Nakamura ..... D6/716.4  
 2005/0275265 A1 12/2005 Deimen

\* cited by examiner

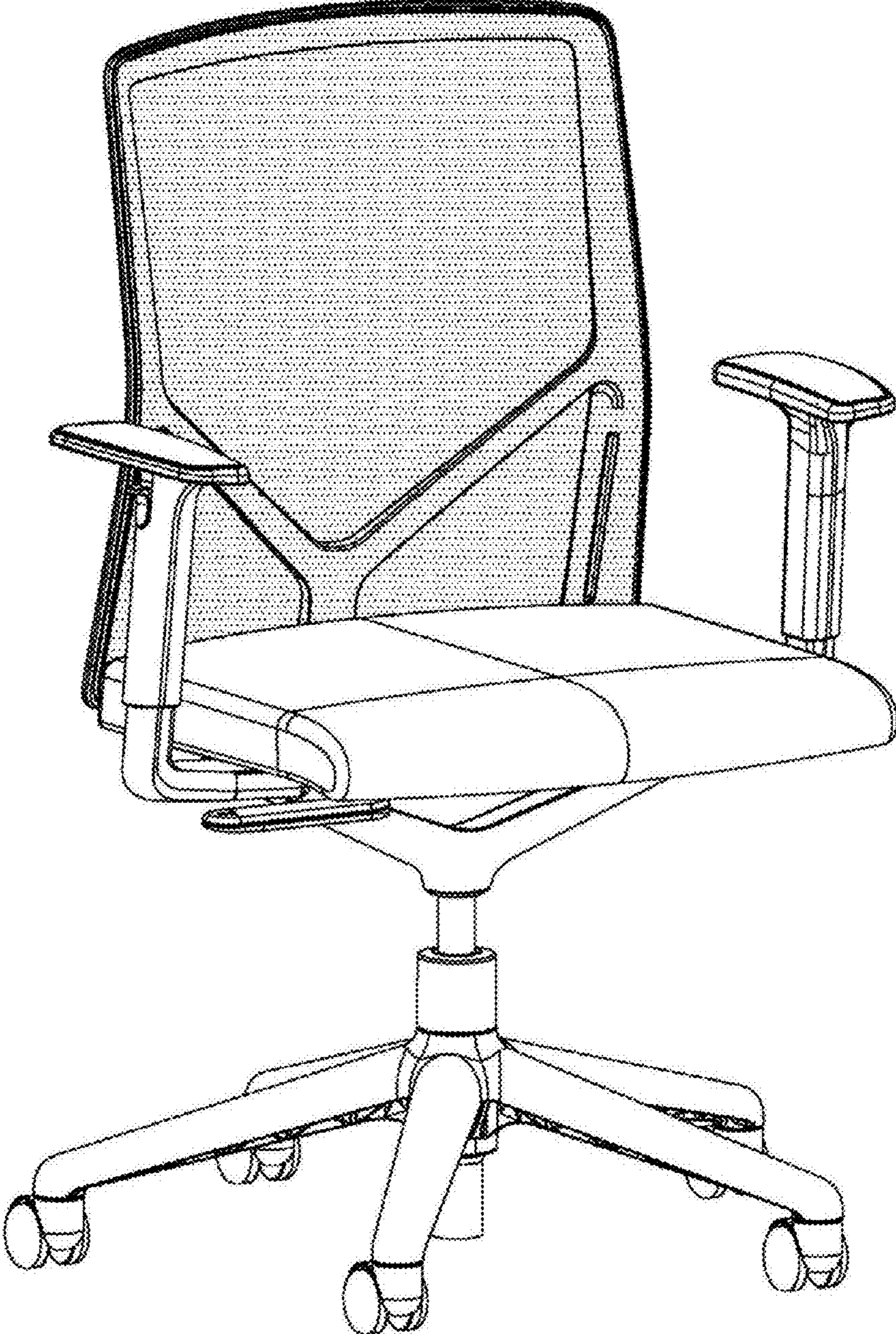


FIG. 1

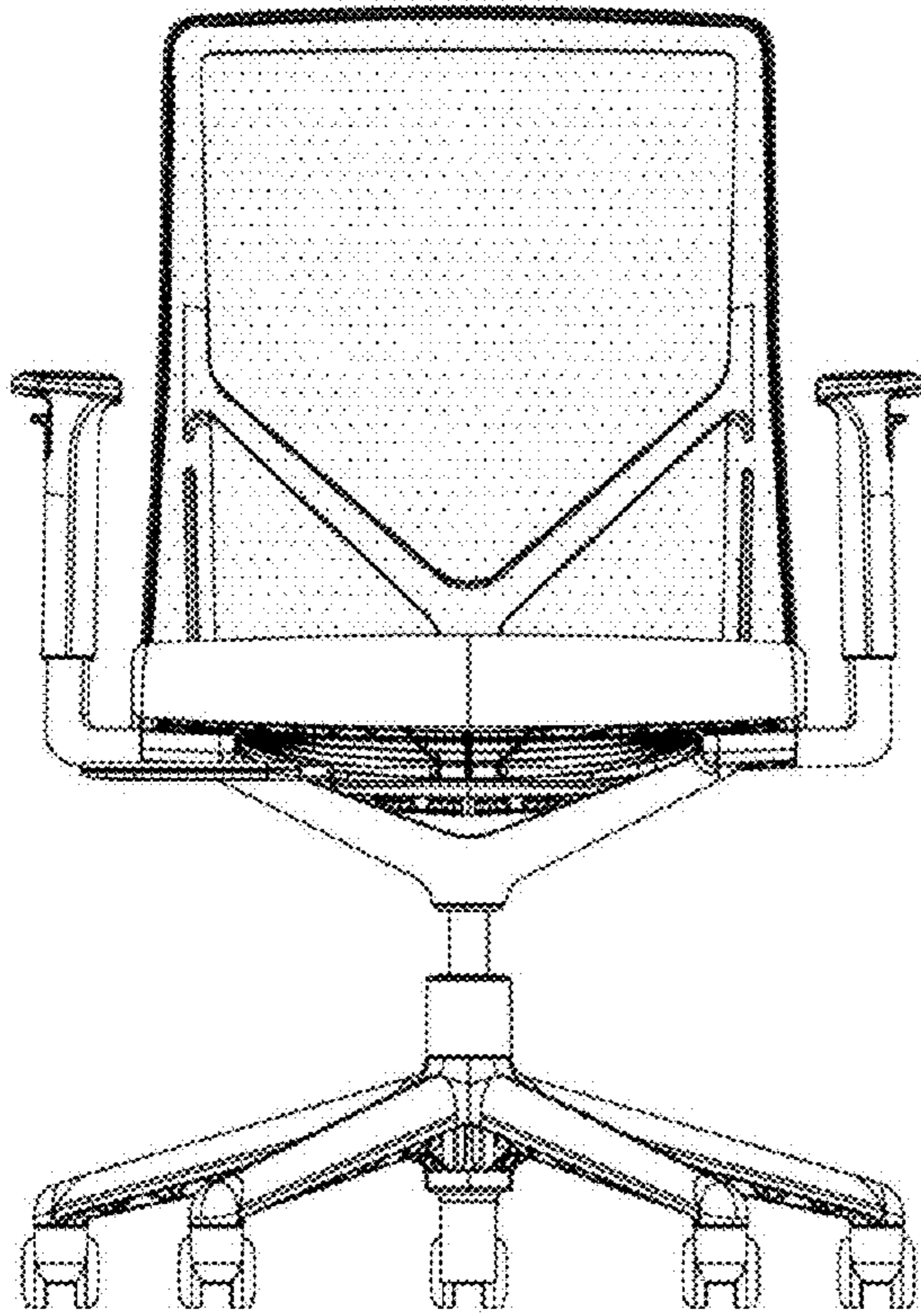


FIG. 2

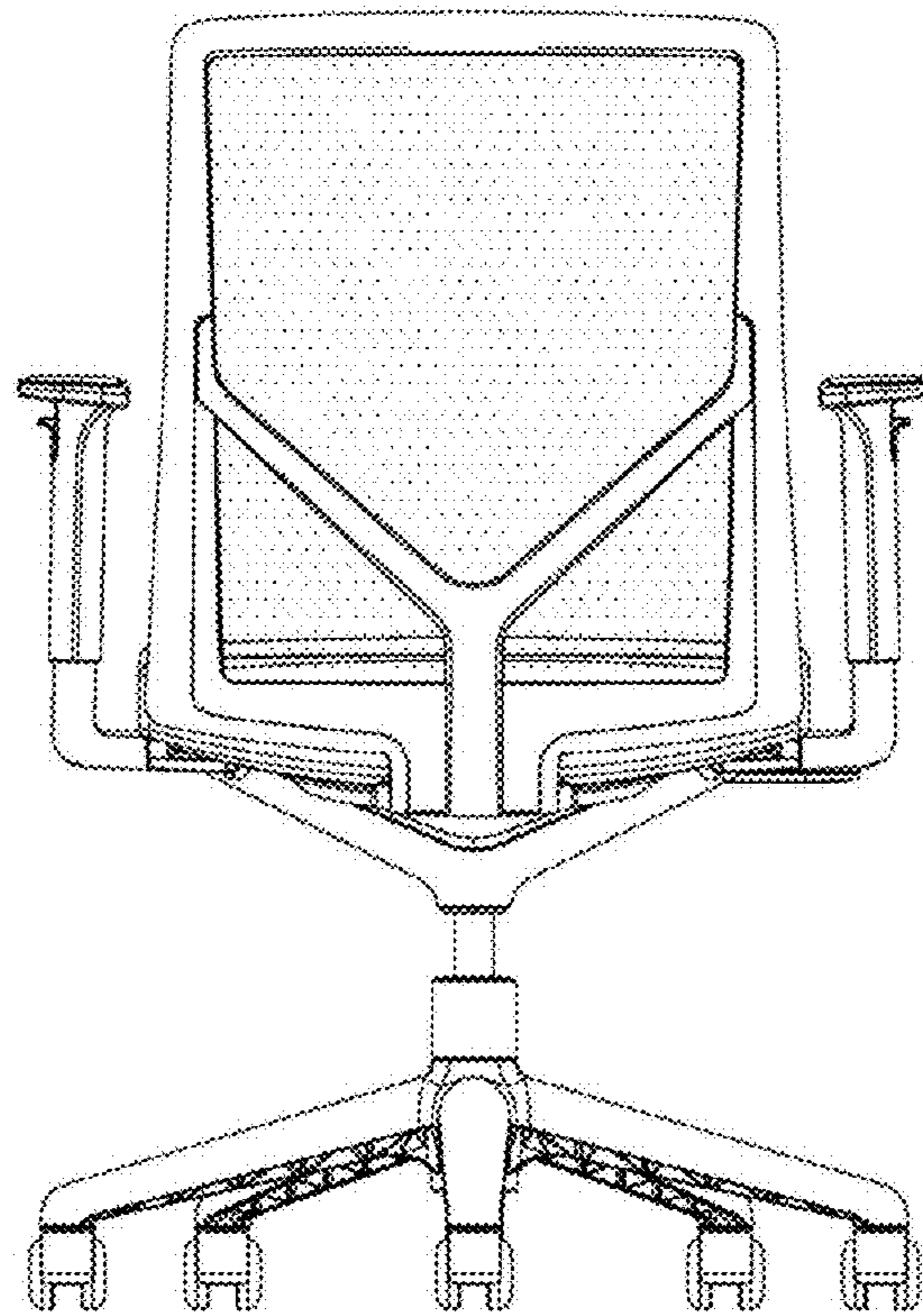


FIG. 3

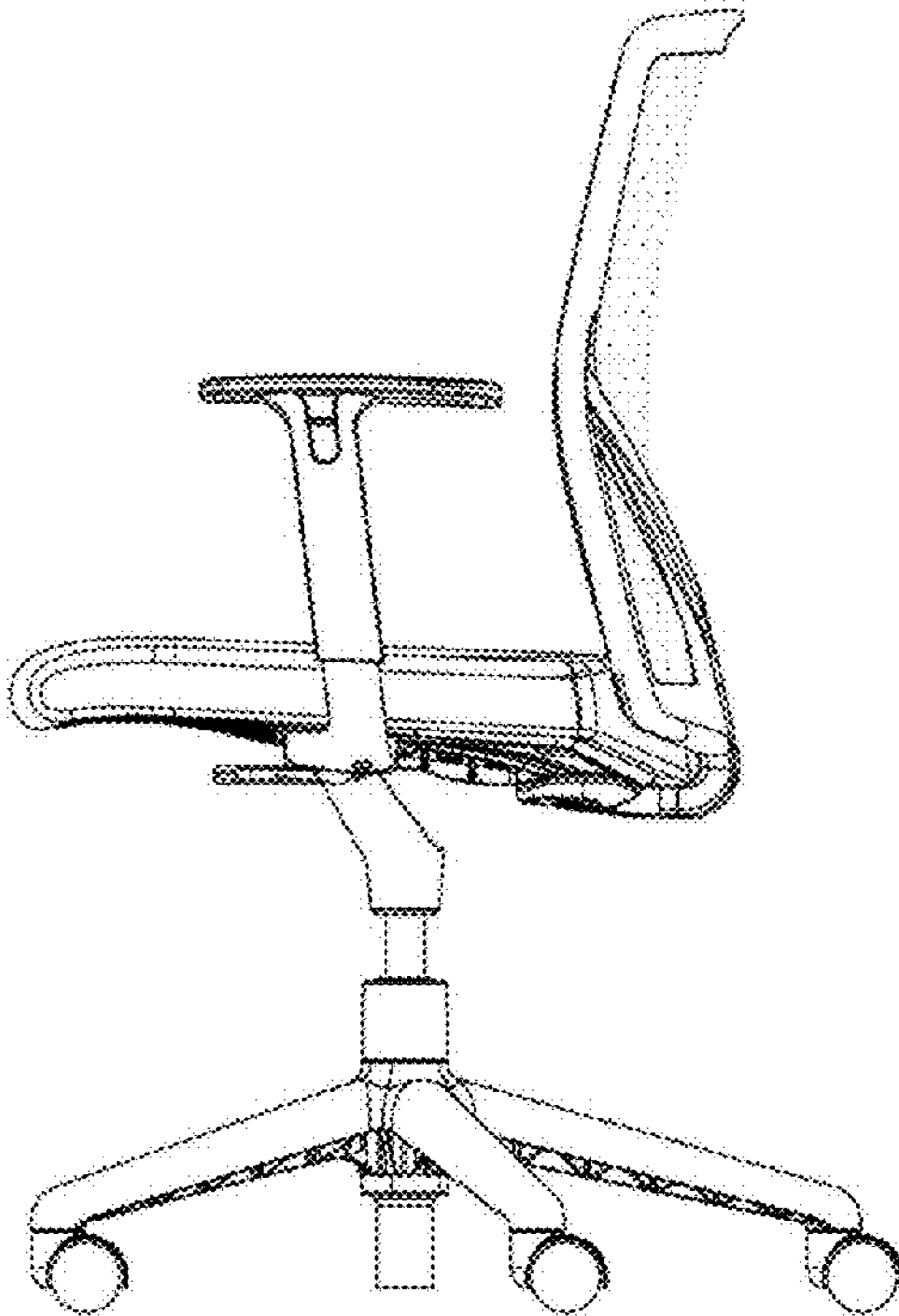


FIG. 4

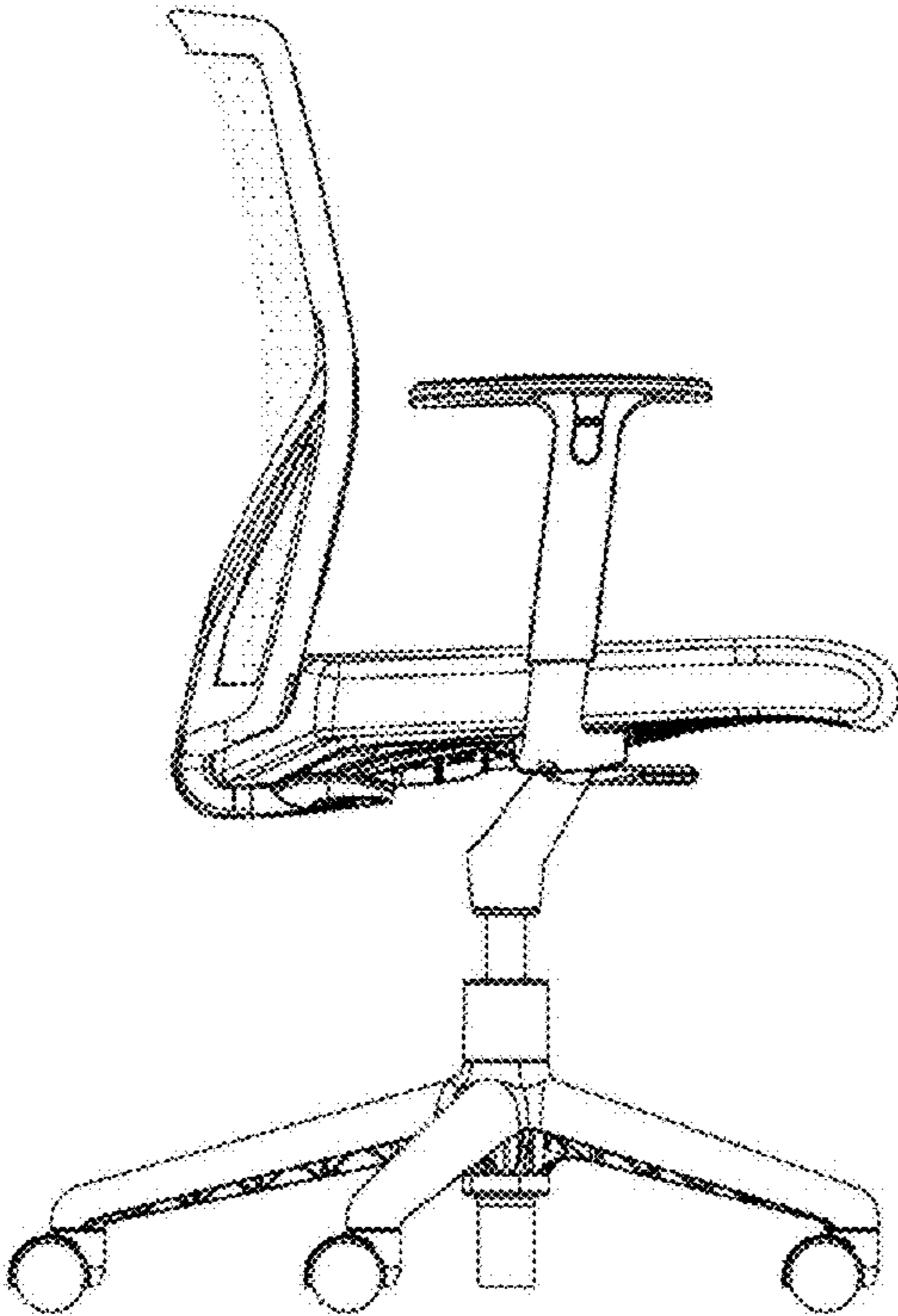


FIG. 5

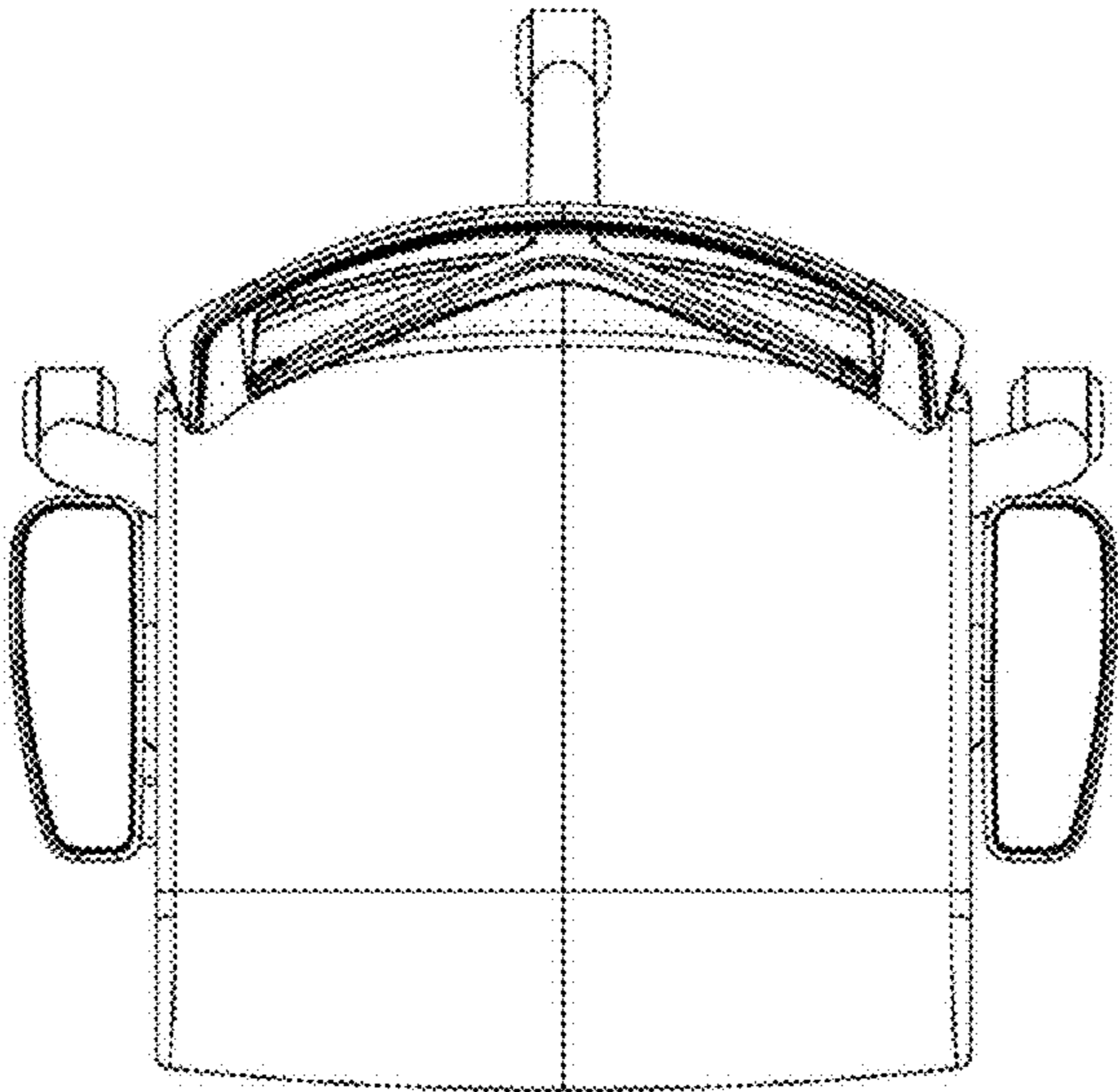


FIG. 6

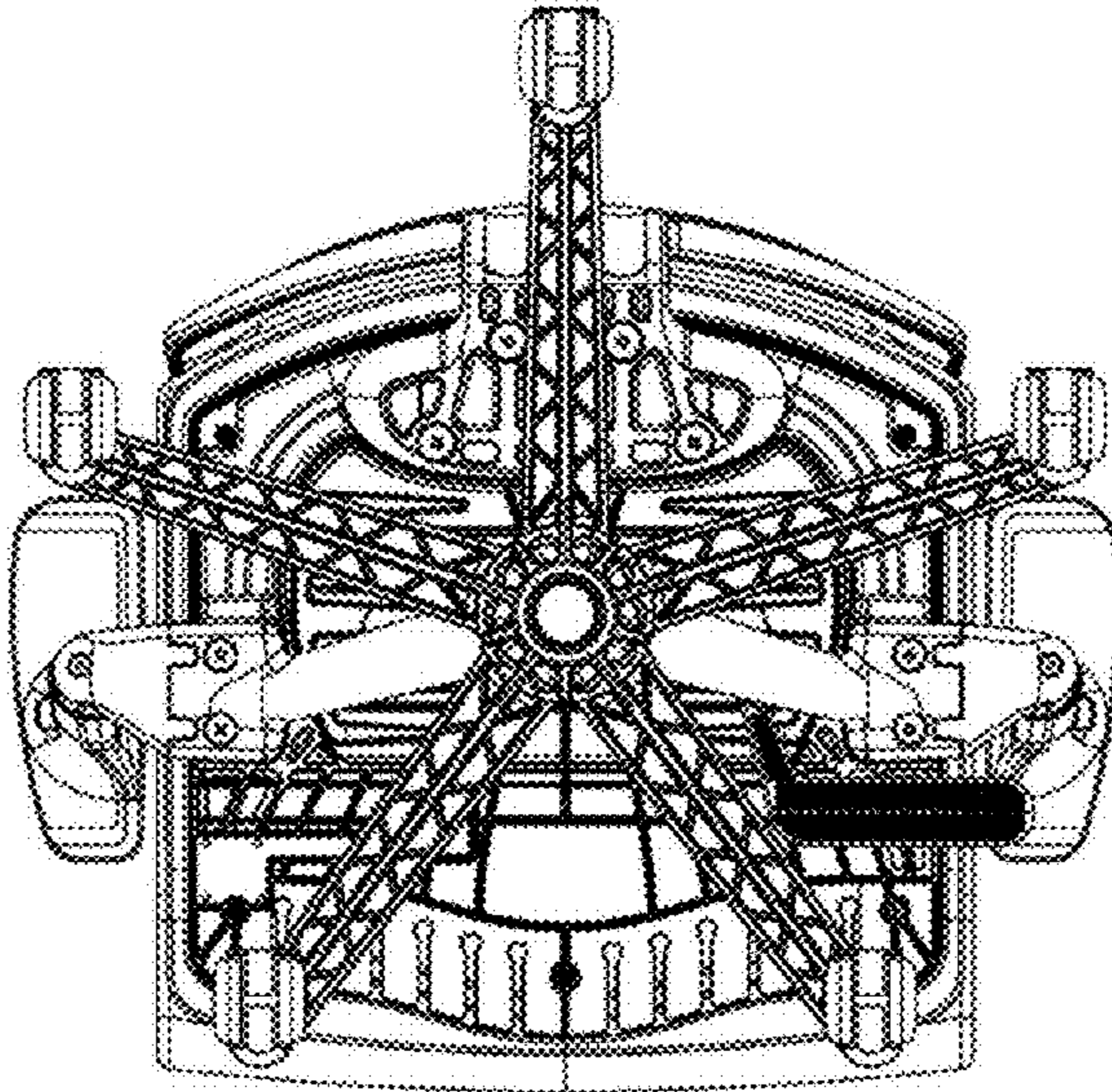


FIG. 7

FIG. 8

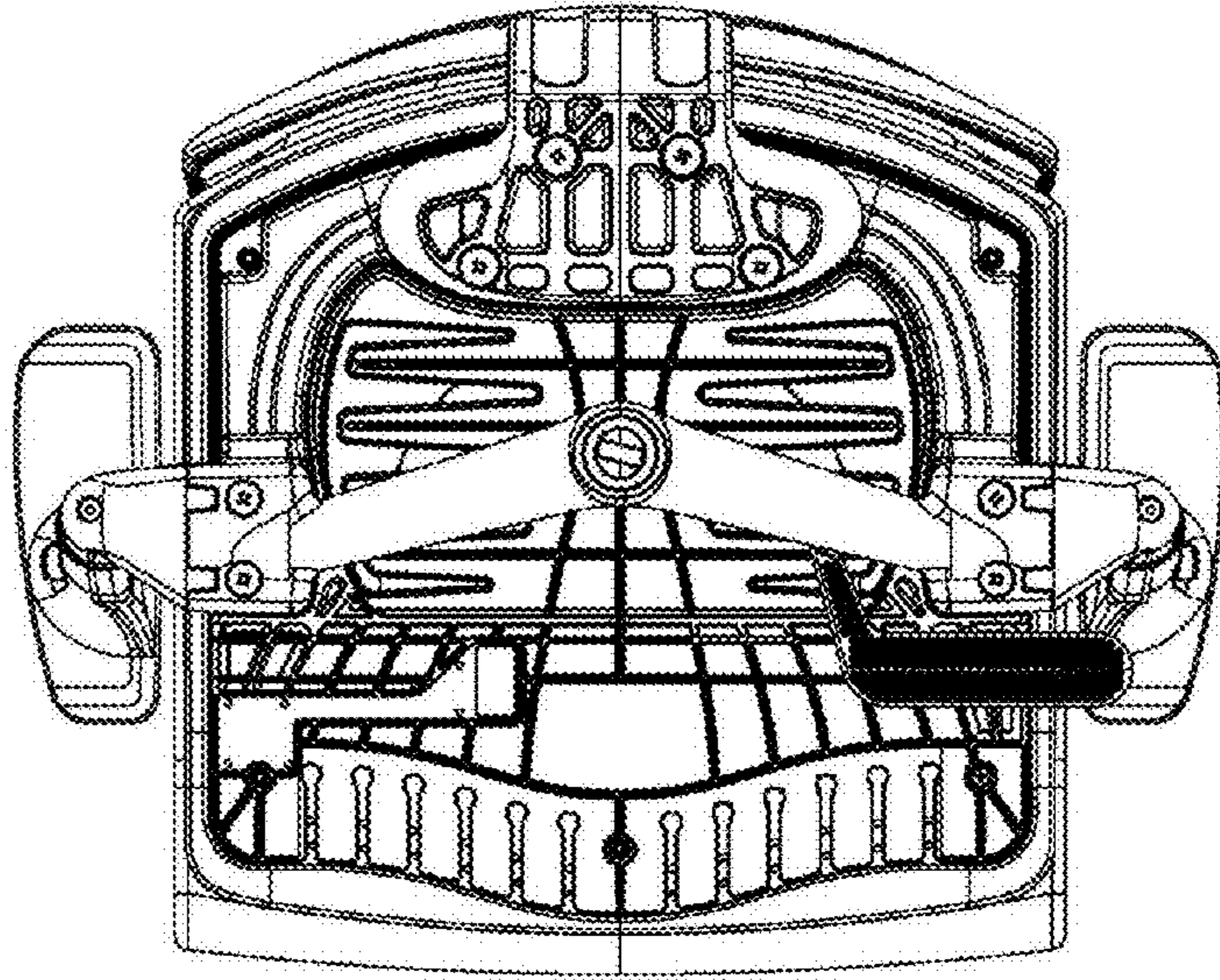
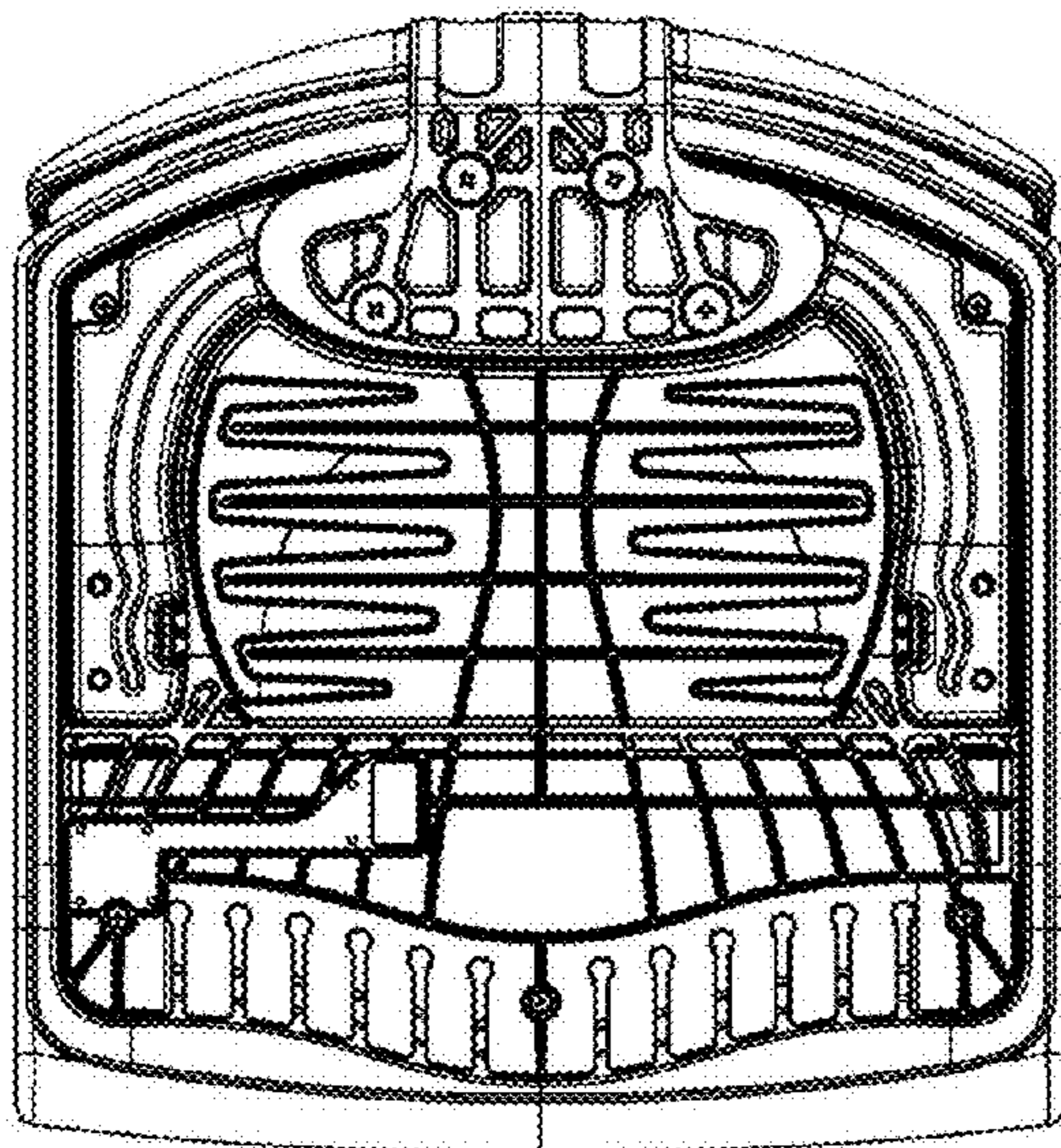


FIG. 9



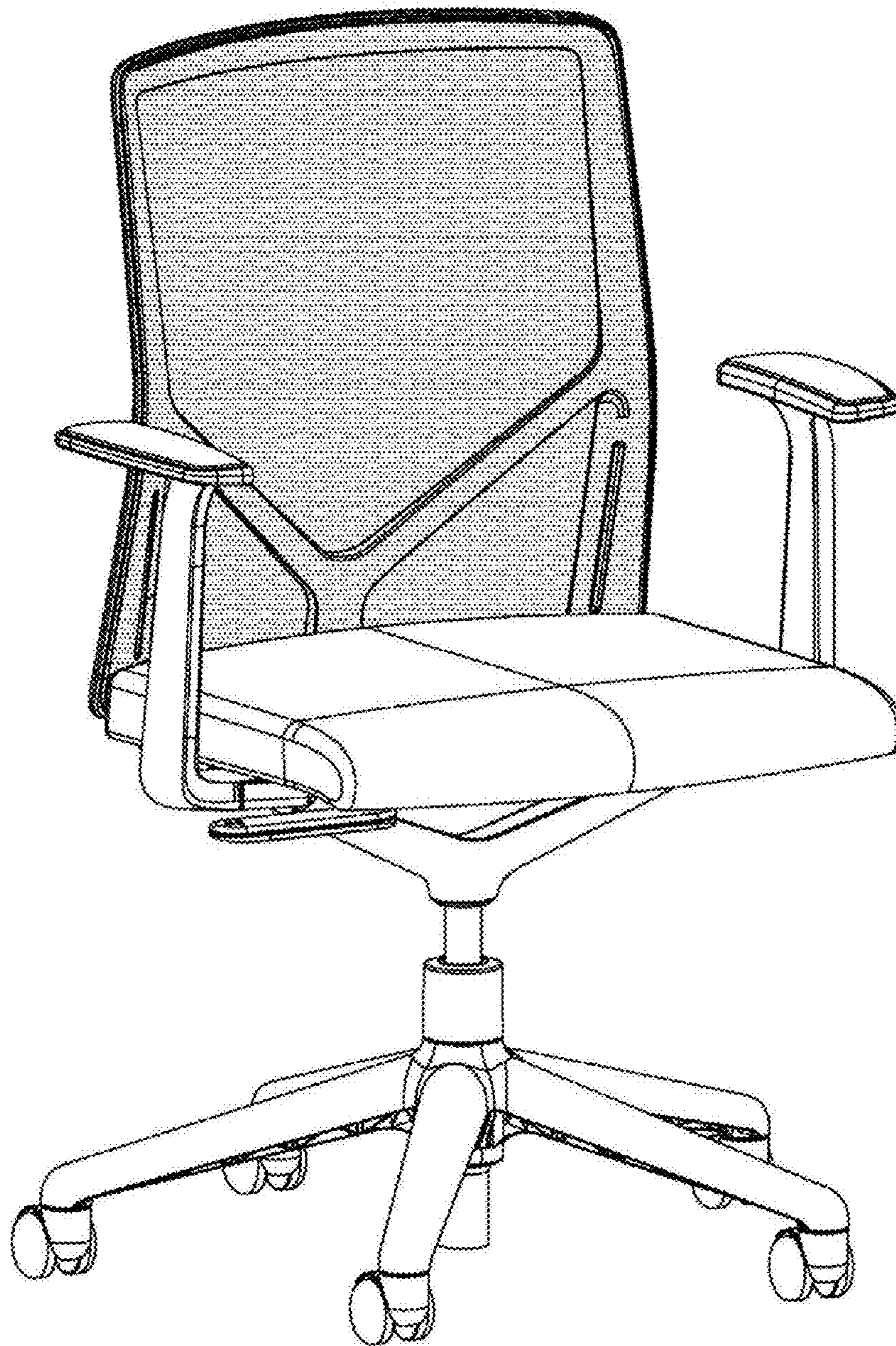


FIG. 10



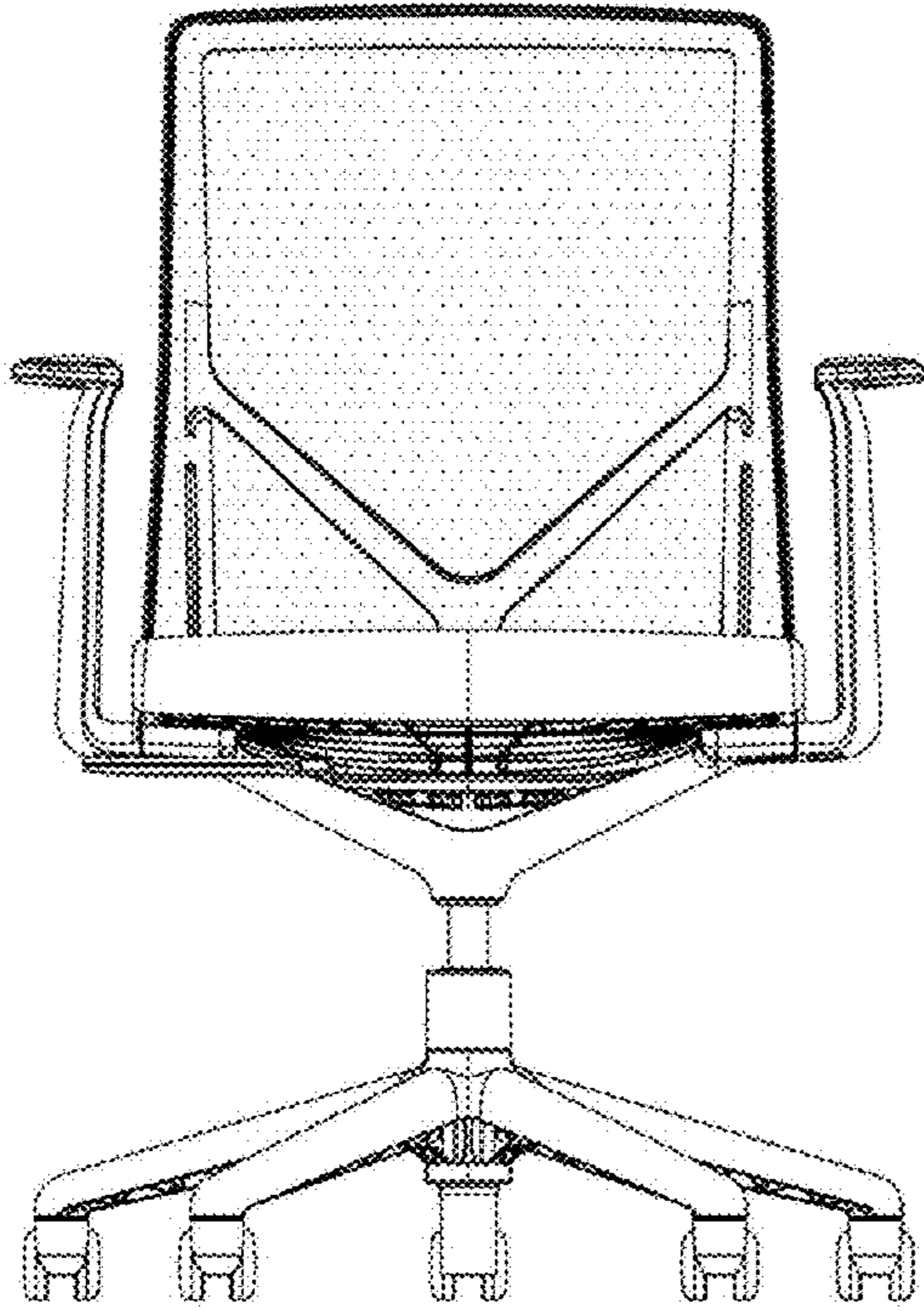


FIG. 11

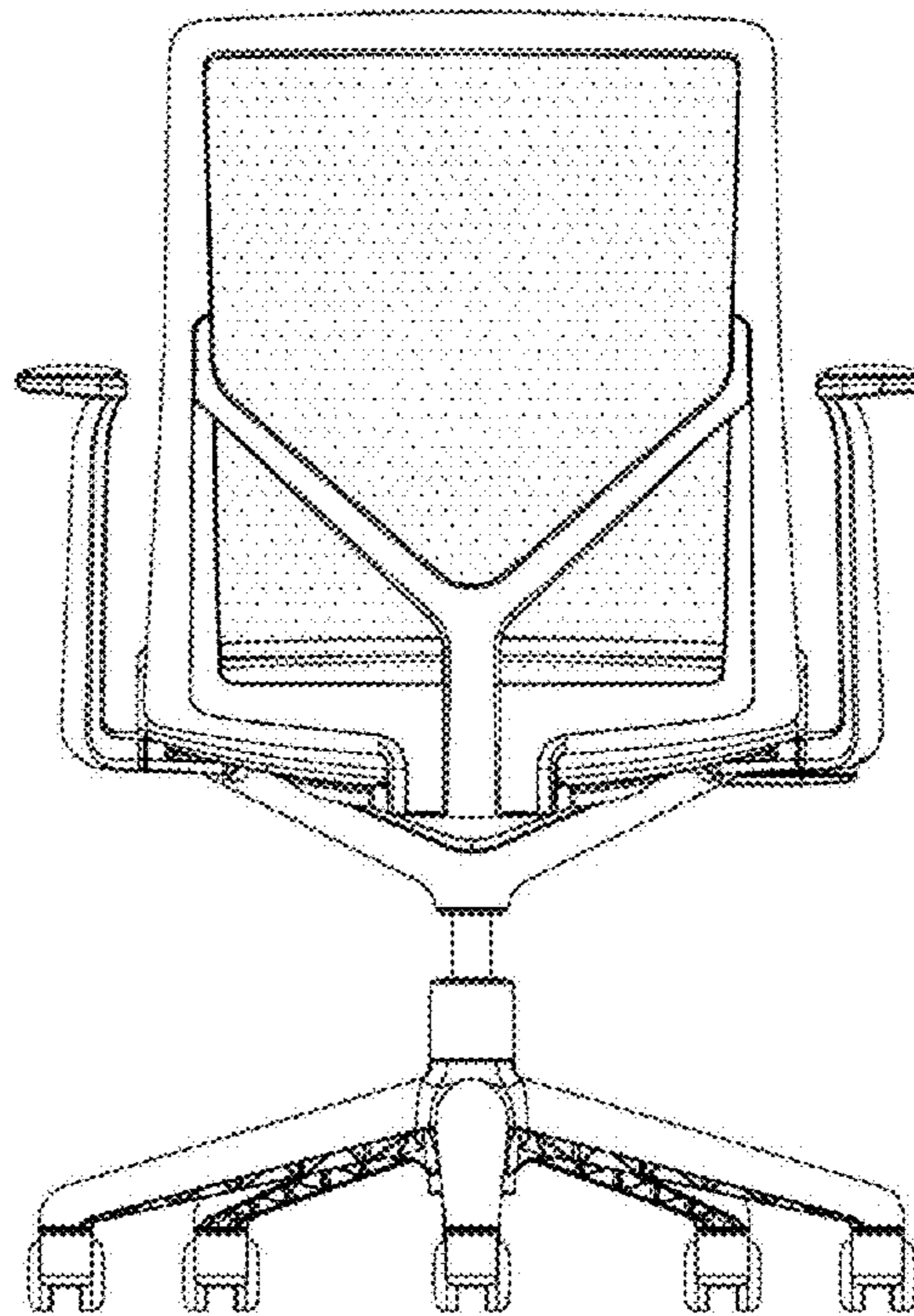


FIG. 12

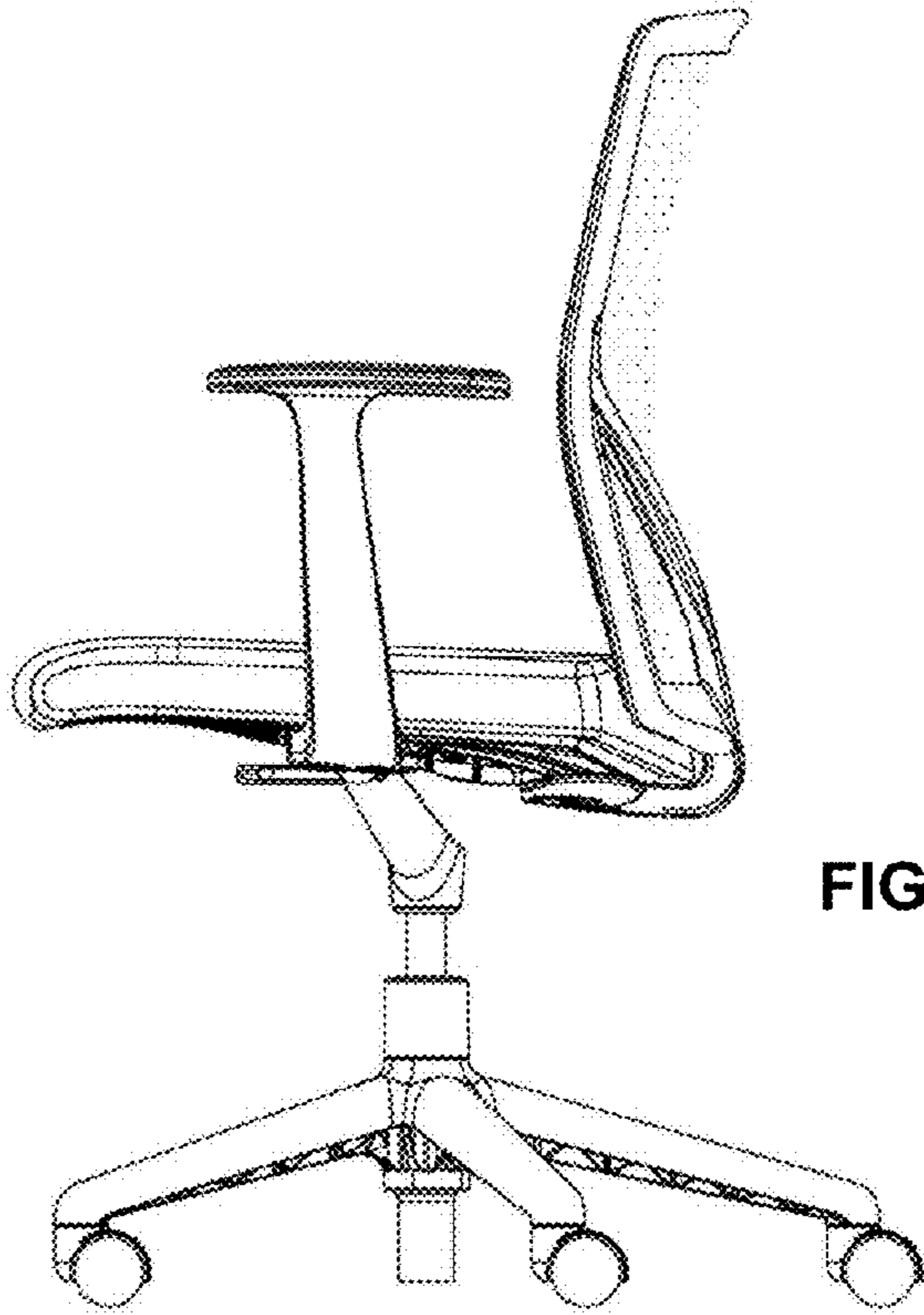


FIG. 13

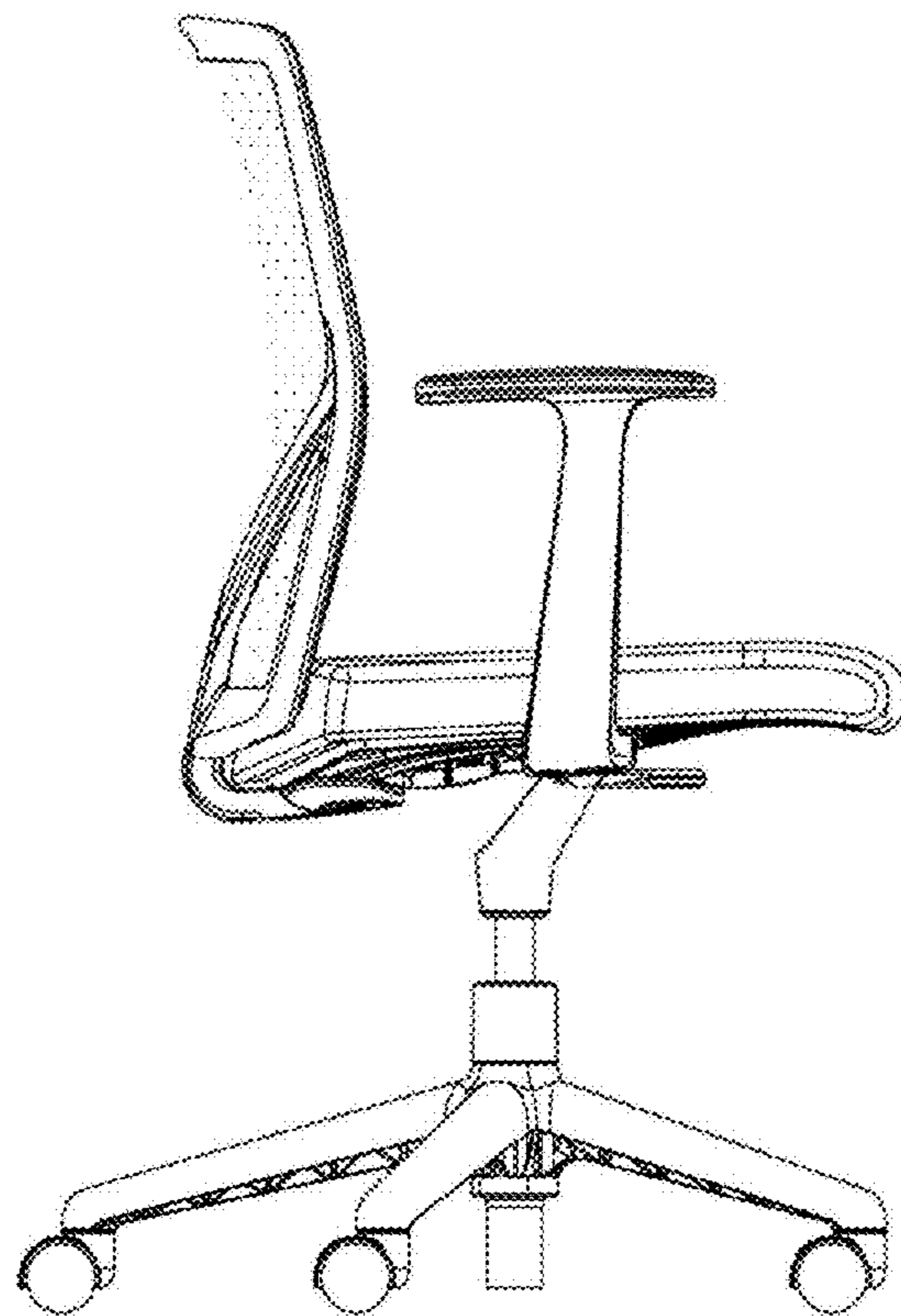


FIG. 14

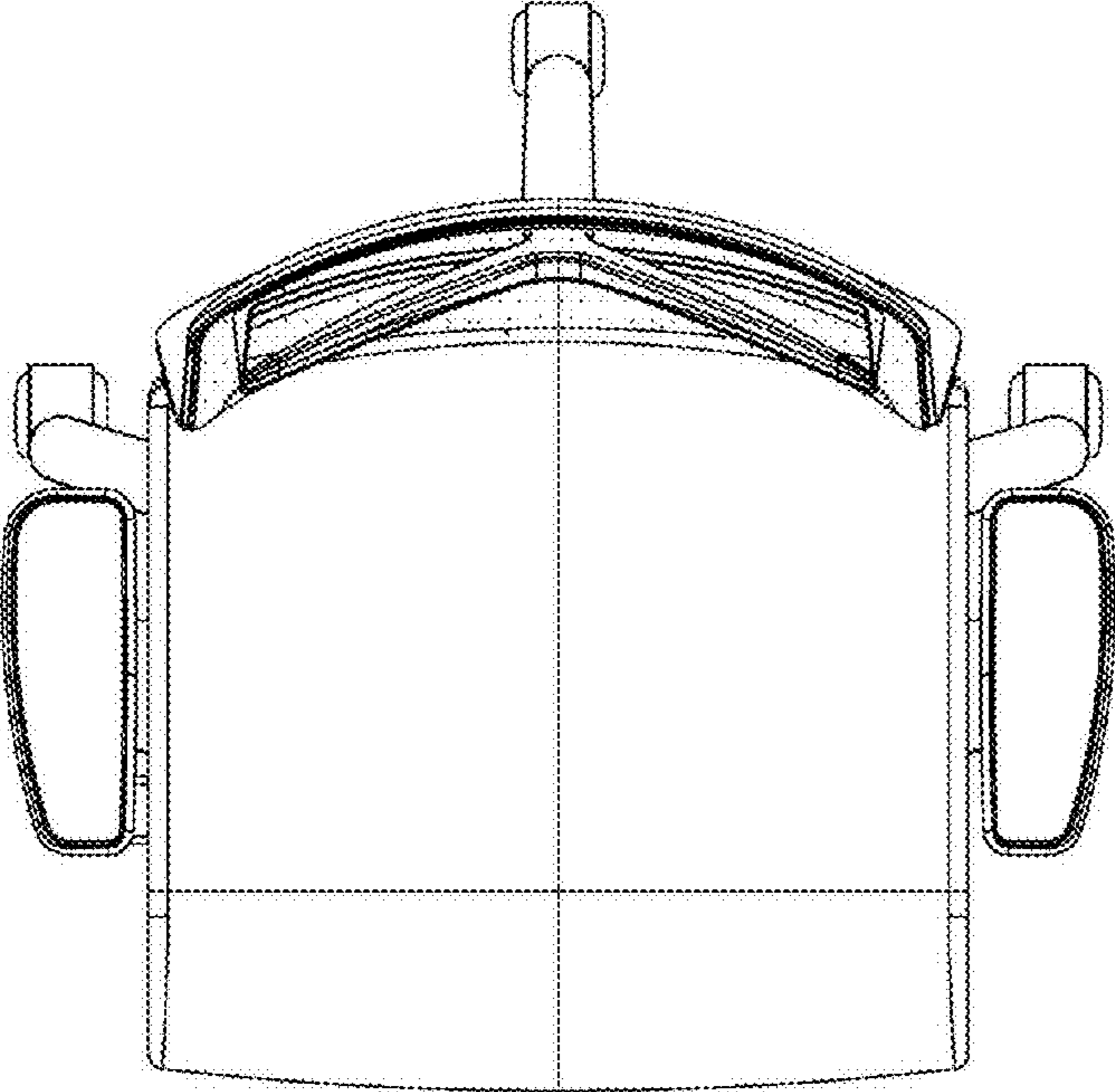


FIG. 15

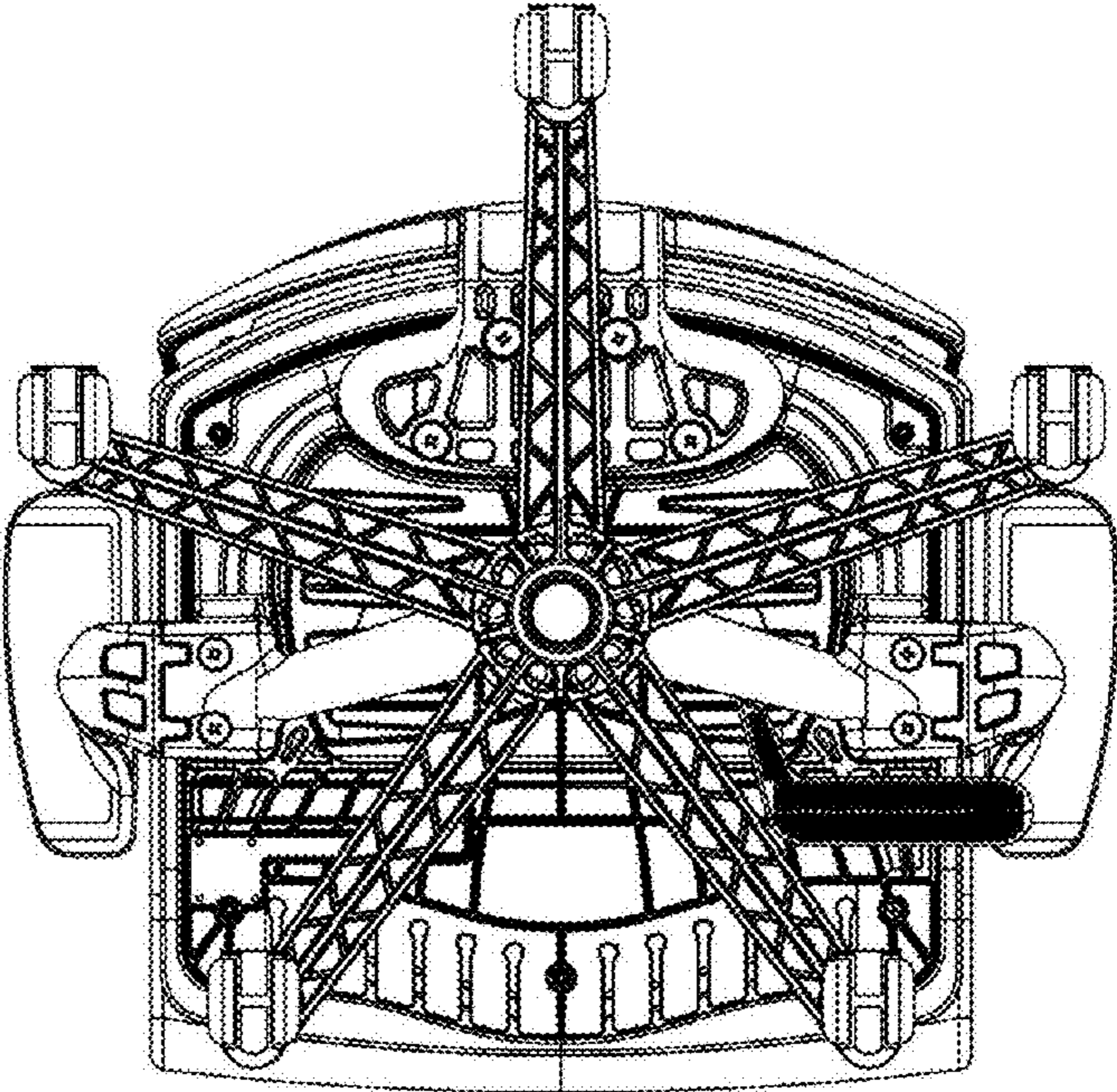


FIG. 16

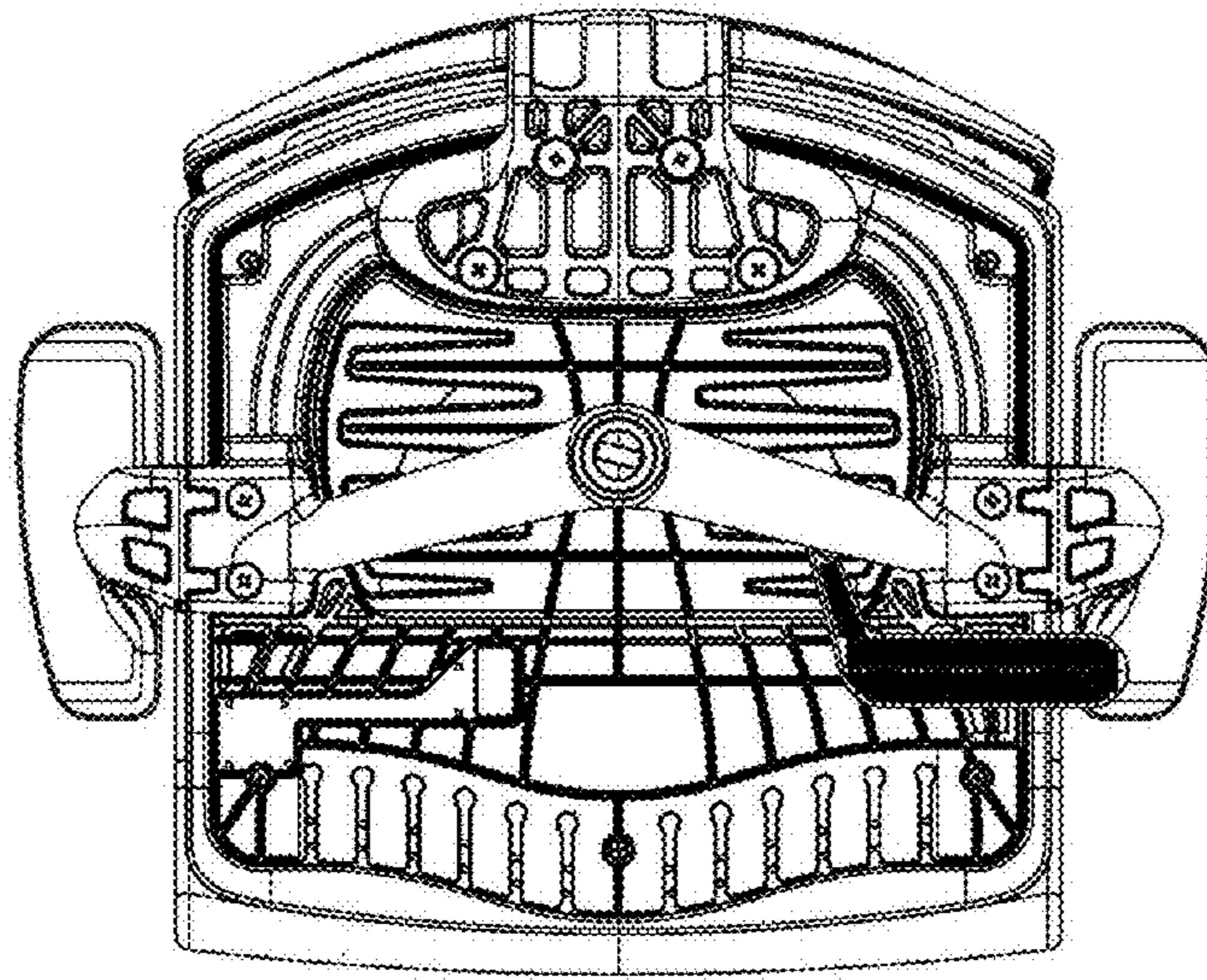


FIG. 17

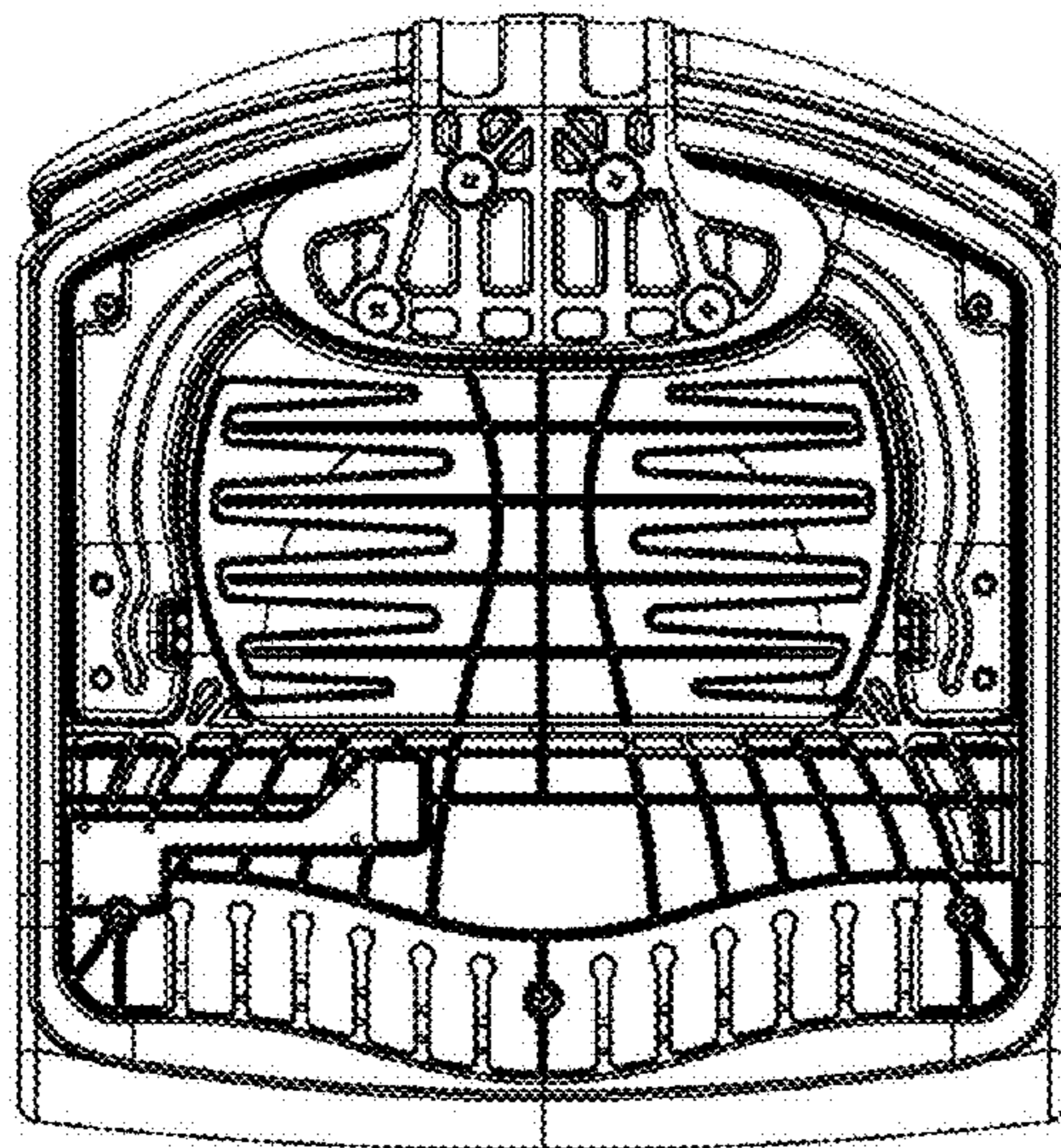


FIG. 18