



US00D714068S

(12) **United States Design Patent**  
**Kapka et al.**

(10) **Patent No.:** **US D714,068 S**

(45) **Date of Patent:** **\*\* Sep. 30, 2014**

(54) **FURNITURE**

(75) Inventors: **Mark Kapka**, San Francisco, CA (US);  
**Alan Ernest Rheault**, Grand Rapids, MI  
(US); **Karl Jahn Mead**, East Grand  
Rapids, MI (US)

(73) Assignee: **Steelcase Inc.**, Grand Rapids, MI (US)

(\*\*) Term: **14 Years**

(21) Appl. No.: **29/430,838**

(22) Filed: **Aug. 30, 2012**

(51) **LOC (10) Cl.** ..... **06-01**

(52) **U.S. Cl.**  
USPC ..... **D6/337**

(58) **Field of Classification Search**  
USPC ..... D6/335, 336, 337, 338, 708, 716, 716.1,  
D6/685; 297/175, 411.2, 445.1, 446.1,  
297/446.2, 447.1, 447.2, 448.1, 451.2,  
297/452.11, 452.29, 461, 462; 5/12.1, 12.2  
See application file for complete search history.

(56) **References Cited**

**U.S. PATENT DOCUMENTS**

797,826 A 8/1905 Sherman, Jr.  
843,547 A 2/1907 McKensy

(Continued)

**FOREIGN PATENT DOCUMENTS**

DE 2204784 A1 8/1973  
FR 2358128 B1 11/1980

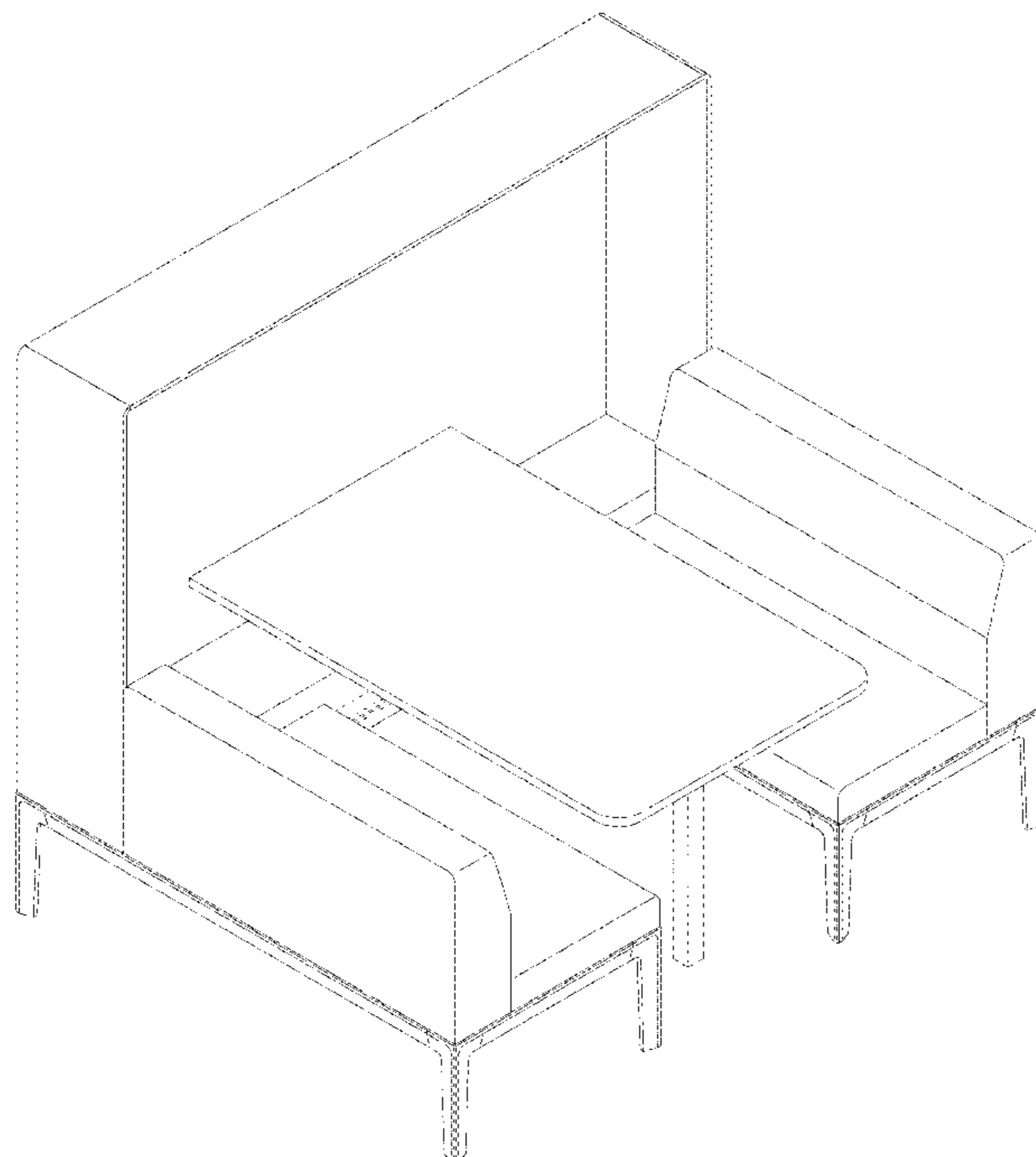
*Primary Examiner* — Sandra Snapp

(57) **CLAIM**  
We claim the ornamental design for furniture, as shown and described.

**DESCRIPTION**

FIG. 1 is a front perspective view of furniture, according to one embodiment;  
FIG. 2 is a front view of the furniture of FIG. 1;  
FIG. 3 is a rear view of the furniture of FIG. 1;  
FIG. 4 is a right side view of the furniture of FIG. 1, the left side view is a mirror image of the right side view of FIG. 4;  
FIG. 5 is a top view of the furniture of FIG. 1;  
FIG. 6 is a bottom view of the furniture of FIG. 1;  
FIG. 7 is a front perspective view of furniture according to a second embodiment;  
FIG. 8 is a front view of the furniture of FIG. 7;  
FIG. 9 is a rear view of the furniture of FIG. 7;  
FIG. 10 is a right side view of the furniture of FIG. 7, the left side view is a mirror image of the right side view of FIG. 10;  
FIG. 11 is a top view of the furniture of FIG. 7;  
FIG. 12 is a bottom view of the furniture of FIG. 7;  
FIG. 13 is a front perspective view of furniture according to a third embodiment;  
FIG. 14 is a front view of the furniture of FIG. 13;  
FIG. 15 is a rear view of the furniture of FIG. 13;  
FIG. 16 is a right side view of the furniture of FIG. 13, the left side view is a mirror image of the right side view of FIG. 16;  
FIG. 17 is a top view of the furniture of FIG. 13; and,  
FIG. 18 is a bottom view of the furniture of FIG. 13.  
The dashed lines are for purposes of illustrating environmental structure and form no part of the claimed design. The break lines shown in solid lines with adjacent brackets are for purposes of illustrating indeterminate length and form no part of the claimed design.

**1 Claim, 18 Drawing Sheets**



(56)

References Cited

U.S. PATENT DOCUMENTS

1,265,977 A	5/1918	Vordermark	
1,391,462 A	9/1921	Robinson	
1,583,264 A *	5/1926	Turner, Jr. ....	297/14
1,992,903 A *	2/1935	Potashnik ....	297/158.1
2,103,552 A	12/1937	Alexander	
D127,925 S	6/1941	Scott	
D128,165 S *	7/1941	Jory ....	D6/337
2,261,506 A	11/1941	Scott	
2,279,946 A	4/1942	Johnson	
2,344,149 A *	3/1944	Jory ....	108/48
D151,983 S	12/1948	Guertin	
2,476,105 A	7/1949	Megary	
D158,522 S *	5/1950	Smith et al. ....	D6/337
2,720,659 A	10/1955	Brown	
2,899,691 A	8/1959	Davis et al.	
3,055,017 A	9/1962	Thierfelder	
3,093,410 A	6/1963	Forest	
3,127,216 A	3/1964	Clouse	
D203,817 S	2/1966	Burke	
3,241,885 A	3/1966	Deaton	
3,353,865 A	11/1967	Sidney	
D214,245 S	5/1969	Sand	
D215,839 S	11/1969	Wormser	
D219,184 S *	11/1970	Walters ....	D6/337
3,635,521 A	1/1972	Shivvers	
3,811,728 A	5/1974	Redemske	
3,866,548 A *	2/1975	Skonieczny ....	108/79
D241,485 S	9/1976	Blodee	
4,032,188 A	6/1977	Jones	
D246,023 S	10/1977	Hillman et al.	
4,070,715 A	1/1978	Reppas	
4,110,854 A	9/1978	Sjolie	
D256,297 S	8/1980	Gera et al.	
D272,872 S	3/1984	Moreno	
D273,254 S	4/1984	Fairaizen	
D279,237 S *	6/1985	Balonick ....	D6/335
D282,886 S	3/1986	Williams	
D284,142 S	6/1986	Raftery	
D288,631 S	3/1987	Mample	
D312,001 S	11/1990	Synarski et al.	
D312,736 S	12/1990	Grosfillex	
D335,035 S	4/1993	Floyd	
D342,617 S	12/1993	Louden	
D343,301 S *	1/1994	Bennett ....	D6/337
D358,283 S	5/1995	Kelly	
D359,406 S	6/1995	Crawford et al.	
5,423,597 A	6/1995	Rogers	
D360,775 S	8/1995	Karkoska et al.	
D369,247 S	4/1996	Anderson	
D376,499 S	12/1996	Glick et al.	
5,754,995 A	5/1998	Behrendt	
D418,313 S	1/2000	Sexton et al.	
D419,314 S	1/2000	Saul	
D439,425 S	3/2001	Park et al.	
D441,461 S *	5/2001	Bryjak et al. ....	D25/63
D482,536 S *	11/2003	Williams et al. ....	D6/335
D510,816 S	10/2005	Lee	
7,040,695 B2	5/2006	McClure	
D527,196 S	8/2006	Antonioni	
D530,929 S	10/2006	Resterhouse et al.	
D532,209 S	11/2006	Rodis	
7,181,783 B2	2/2007	O'Reilly	
D538,549 S	3/2007	Spear	
D541,075 S	4/2007	Natuzzi	
D558,471 S *	1/2008	Newhouse ....	D6/337
D558,993 S	1/2008	Saint Jalmes et al.	
D561,487 S	2/2008	Schweikarth et al.	
D566,417 S	4/2008	Mourgue	
D566,980 S	4/2008	Mourgue	
D567,526 S *	4/2008	Williams et al. ....	D6/381
D569,112 S	5/2008	Swanson	
7,399,031 B2 *	7/2008	Gardner ....	297/118
D575,963 S	9/2008	Gomez	
D577,211 S	9/2008	Natuzzi	
D582,688 S	12/2008	Spear	
D586,590 S	2/2009	Schweikarth et al.	
D587,918 S	3/2009	Bergman et al.	
D597,328 S	8/2009	Schweikarth et al.	
D598,665 S	8/2009	Cloet et al.	
D598,666 S	8/2009	Cloet et al.	
D600,938 S	9/2009	Natuzzi	
D614,876 S	5/2010	Metcalf et al.	
D614,884 S	5/2010	Metcalf et al.	
D615,767 S	5/2010	Griepentrog et al.	
D617,122 S	6/2010	Moon et al.	
D618,935 S	7/2010	Metcalf et al.	
D620,288 S	7/2010	Stiker Metral	
D624,328 S	9/2010	Grandin et al.	
D639,083 S	6/2011	Martin	
2007/0289225 A1	12/2007	Kern et al.	
2009/0184612 A1 *	7/2009	McClure ....	312/235.9
2009/0243352 A1	10/2009	Cailleteau	

\* cited by examiner

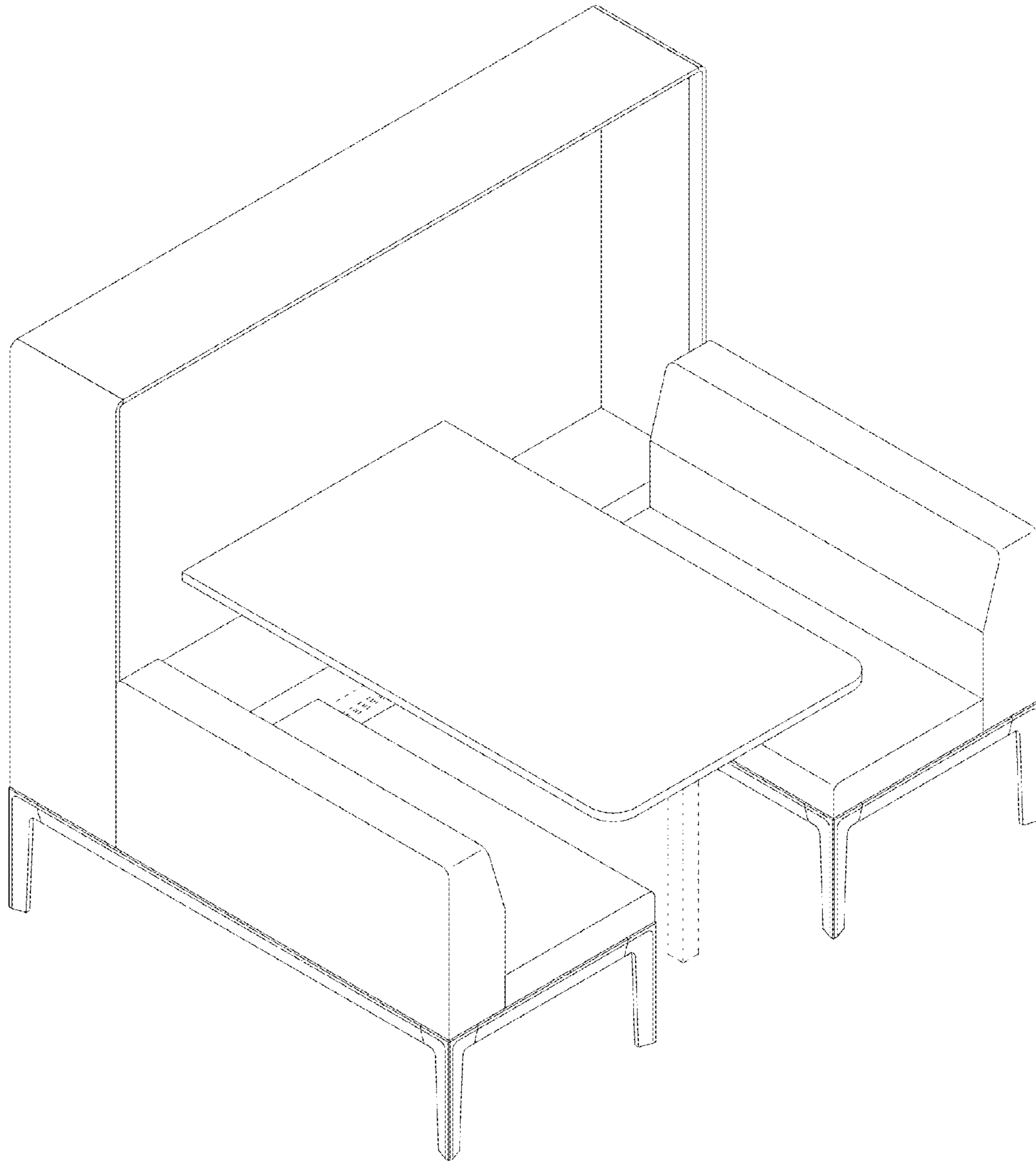


FIG. 1

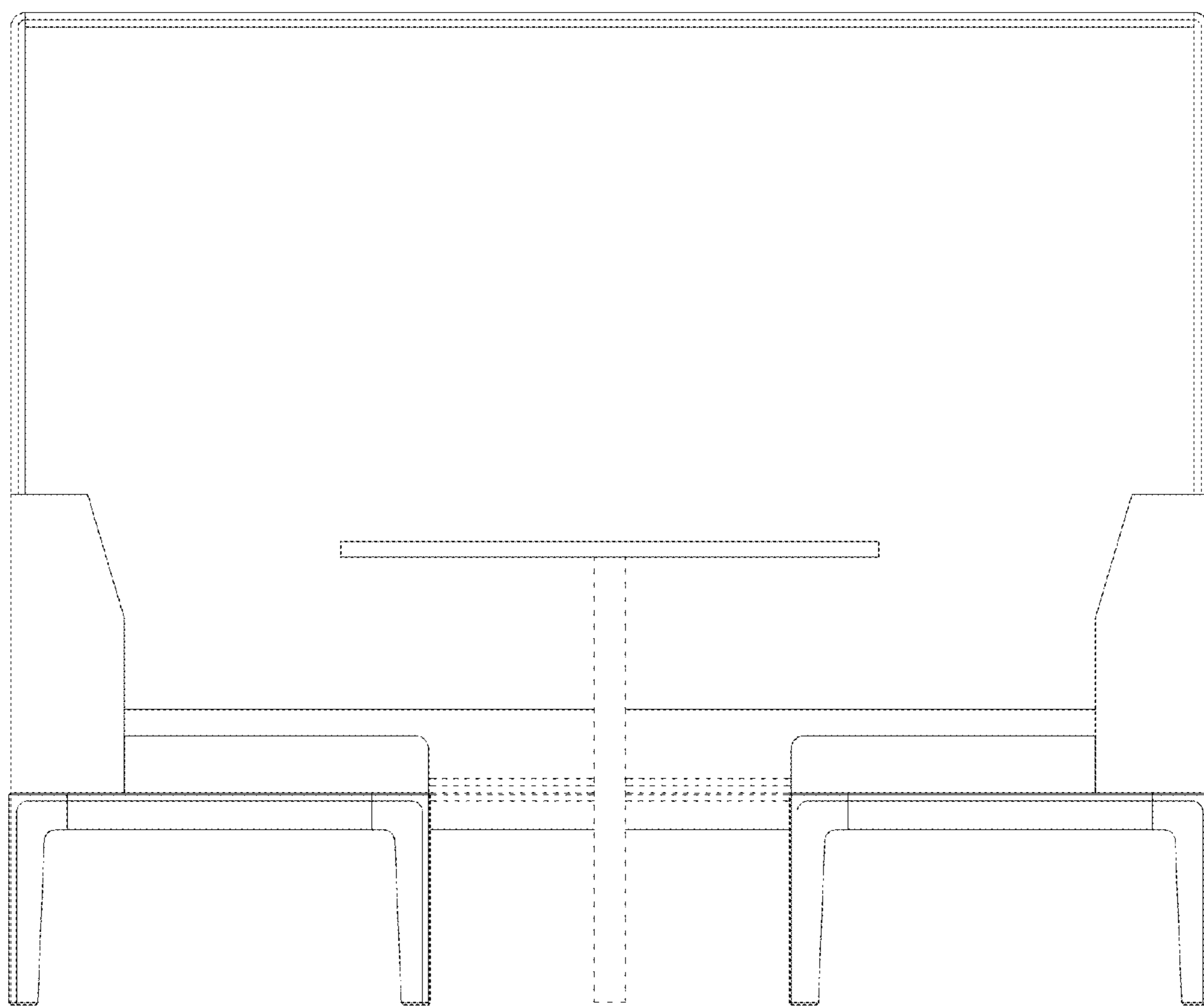


FIG. 2

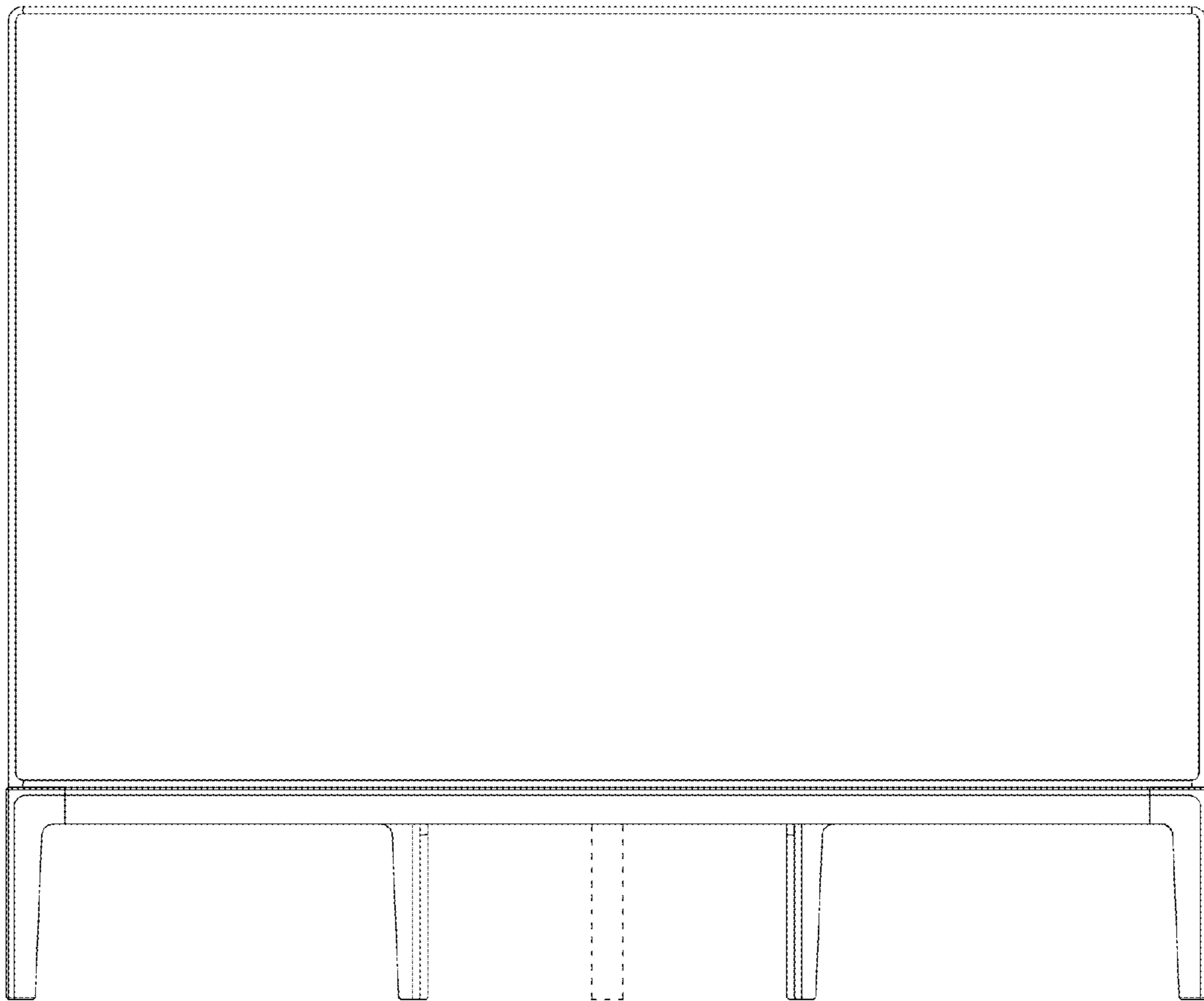


FIG. 3

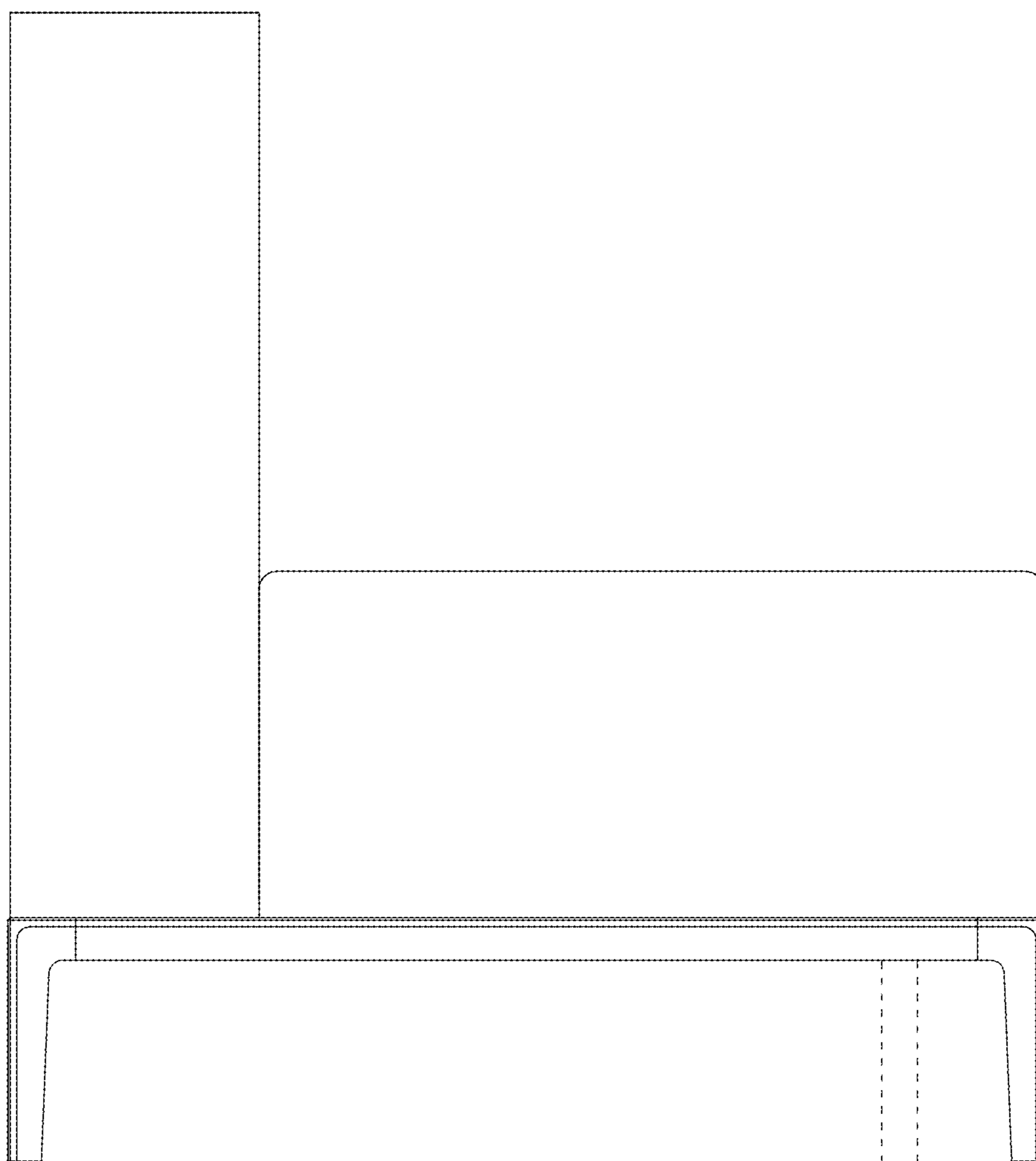


FIG. 4

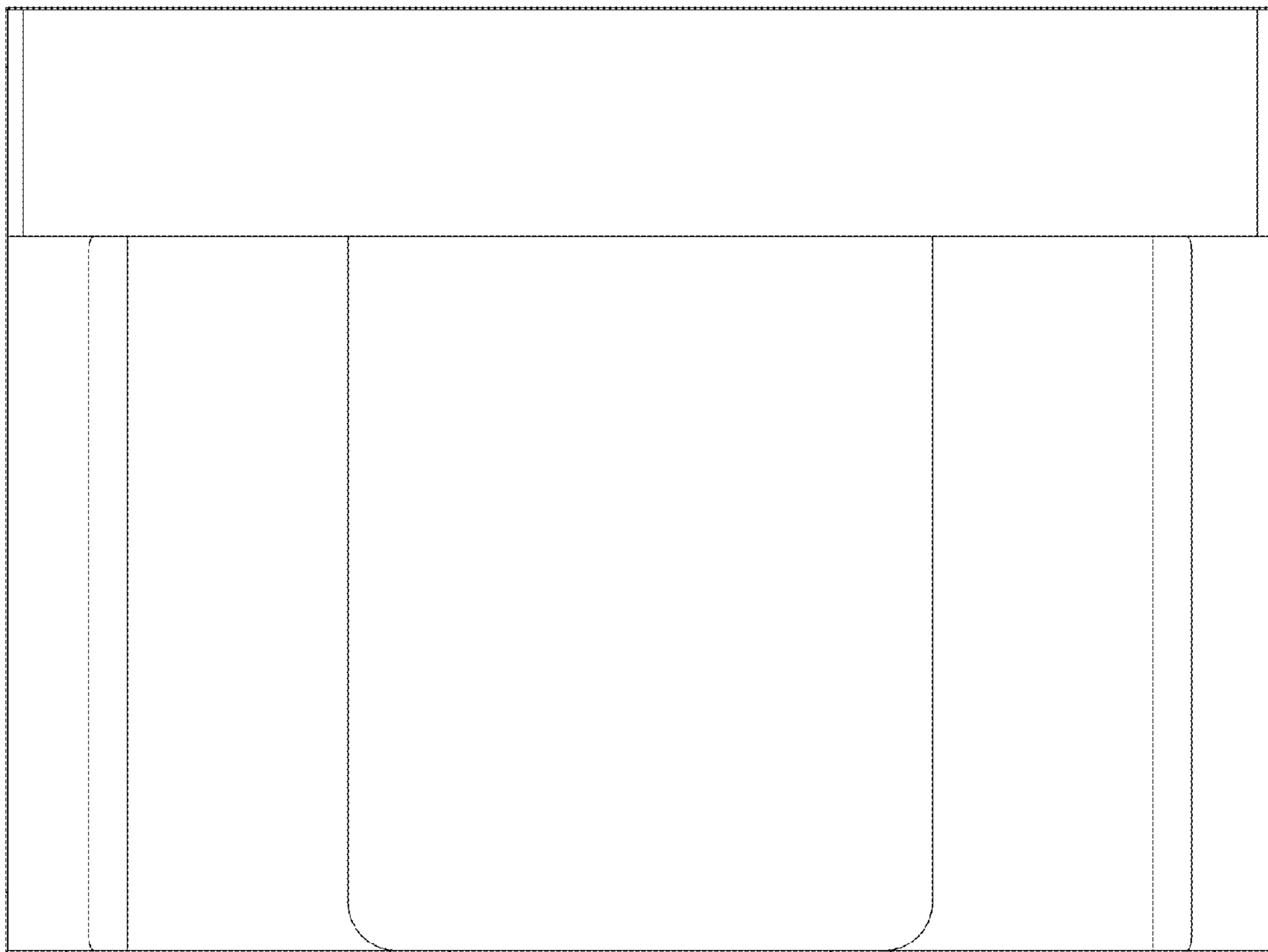


FIG. 5

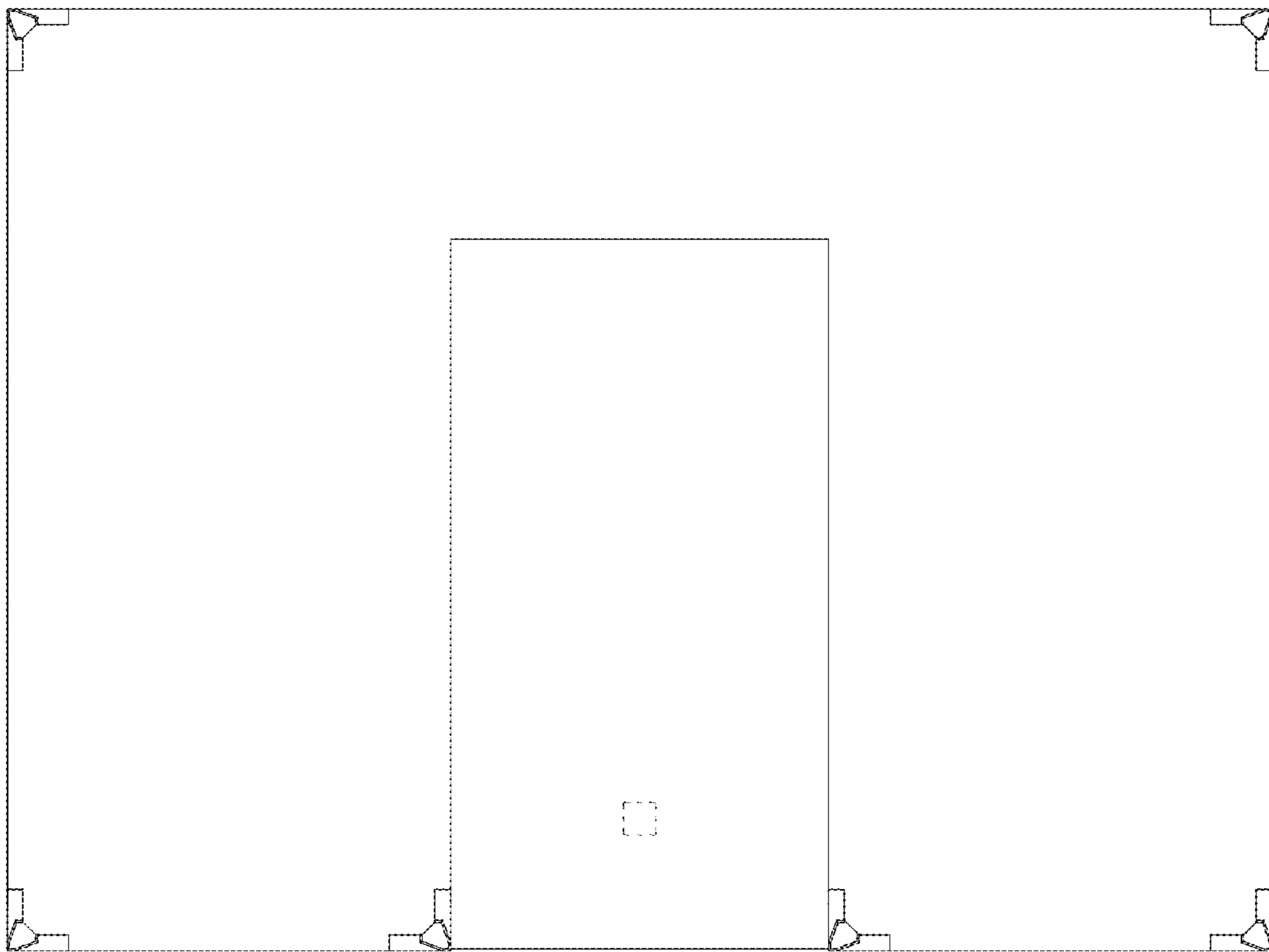


FIG. 6



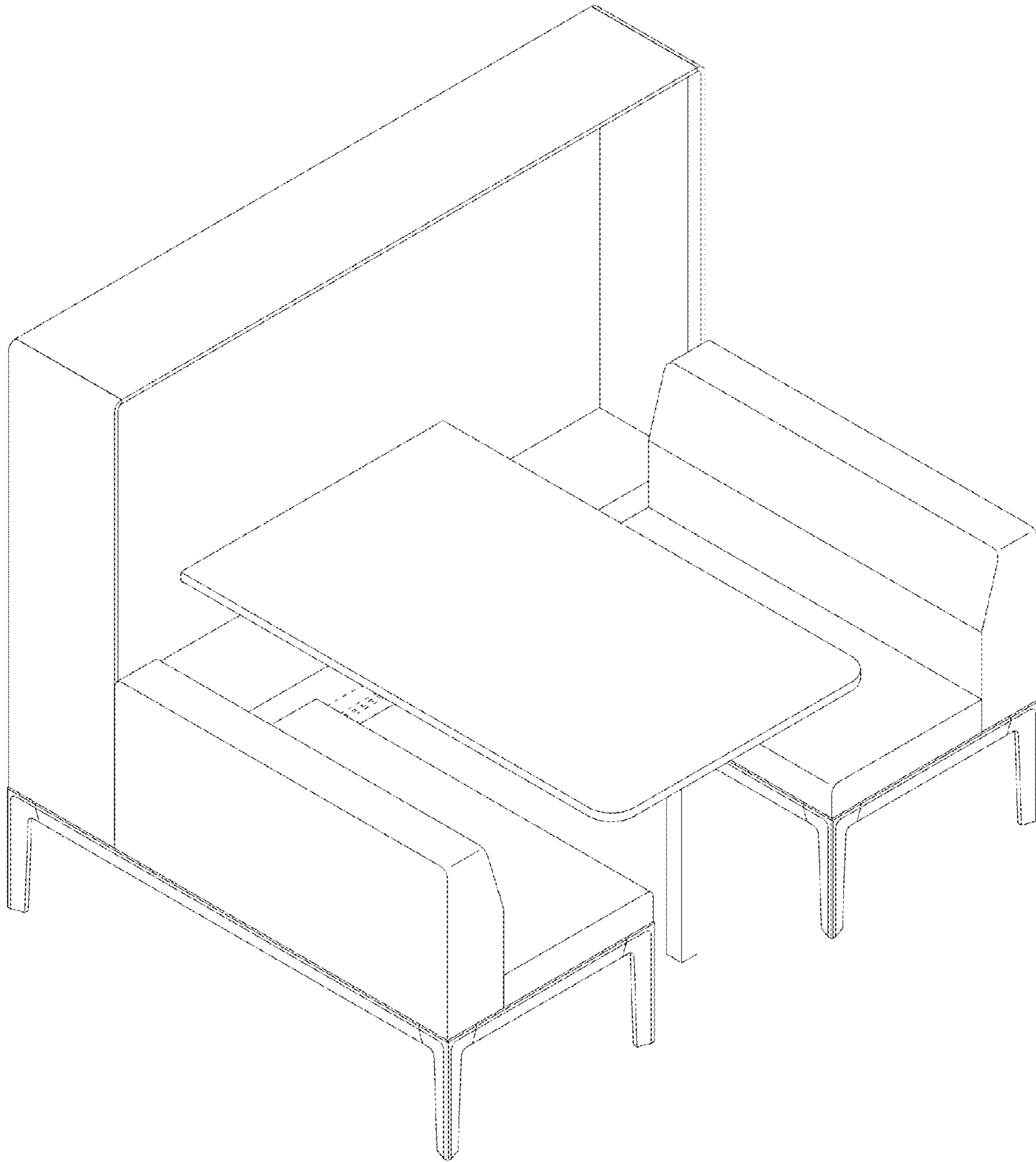


FIG. 7

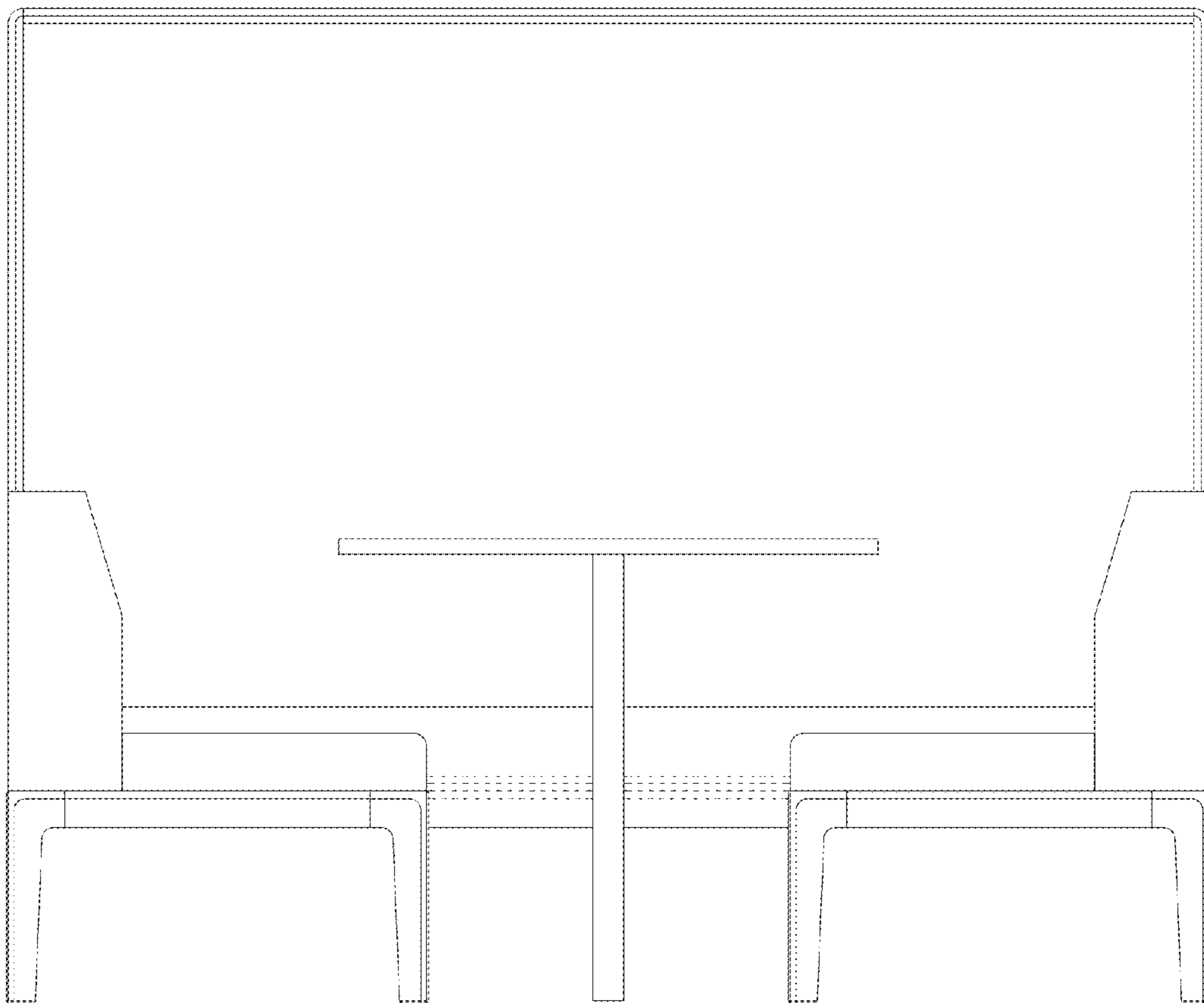


FIG. 8

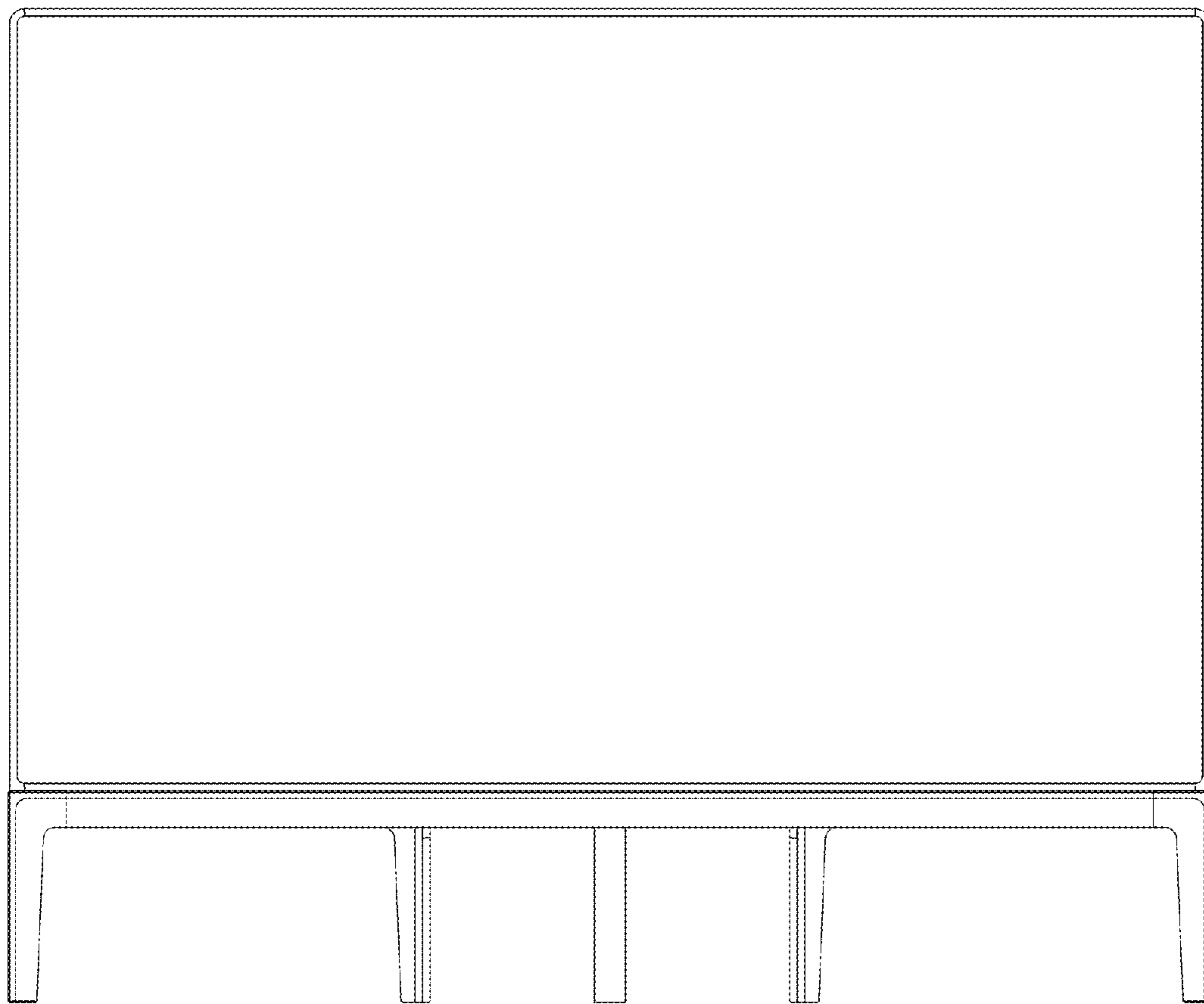


FIG. 9

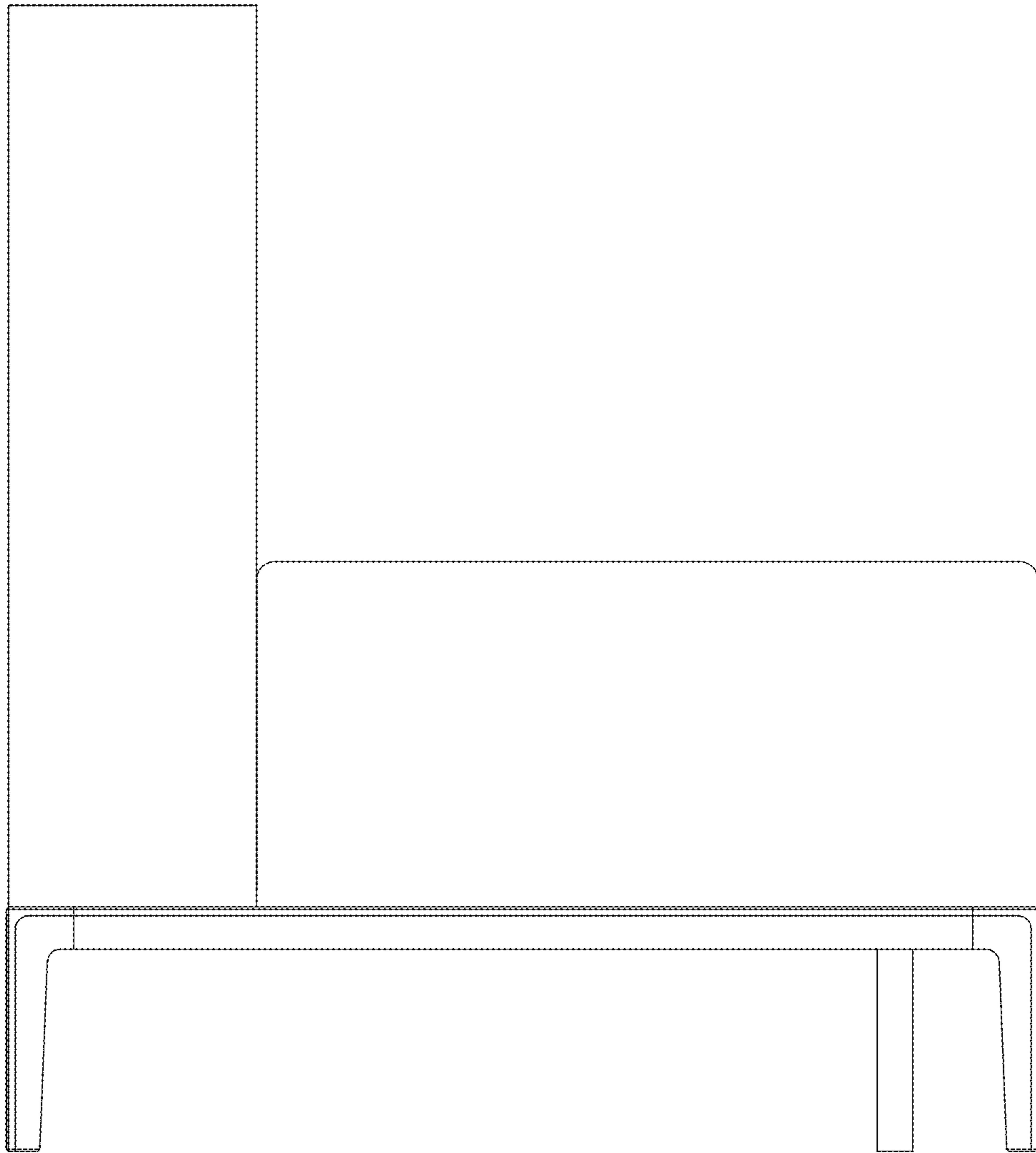


FIG. 10

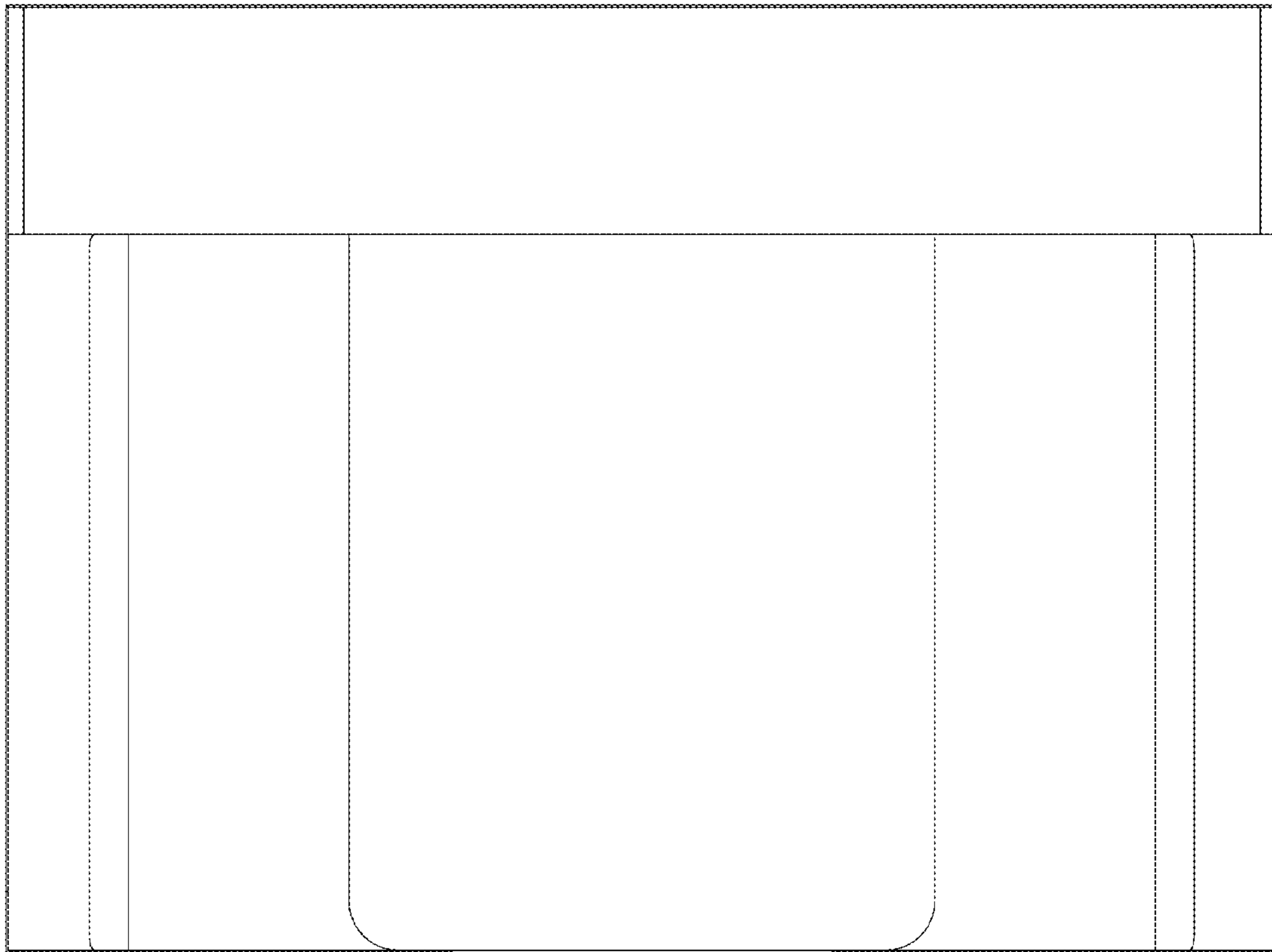


FIG. 11

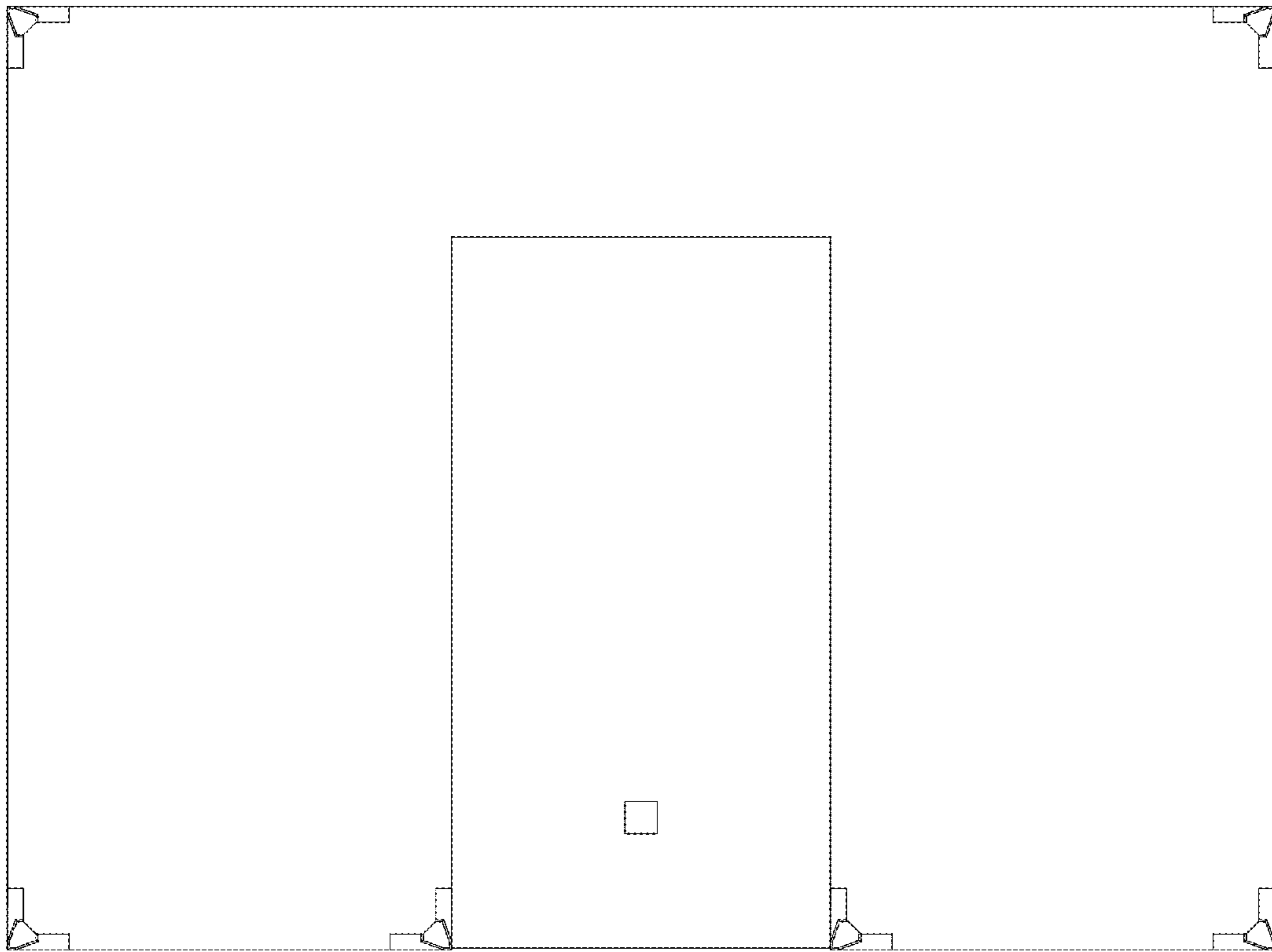


FIG. 12

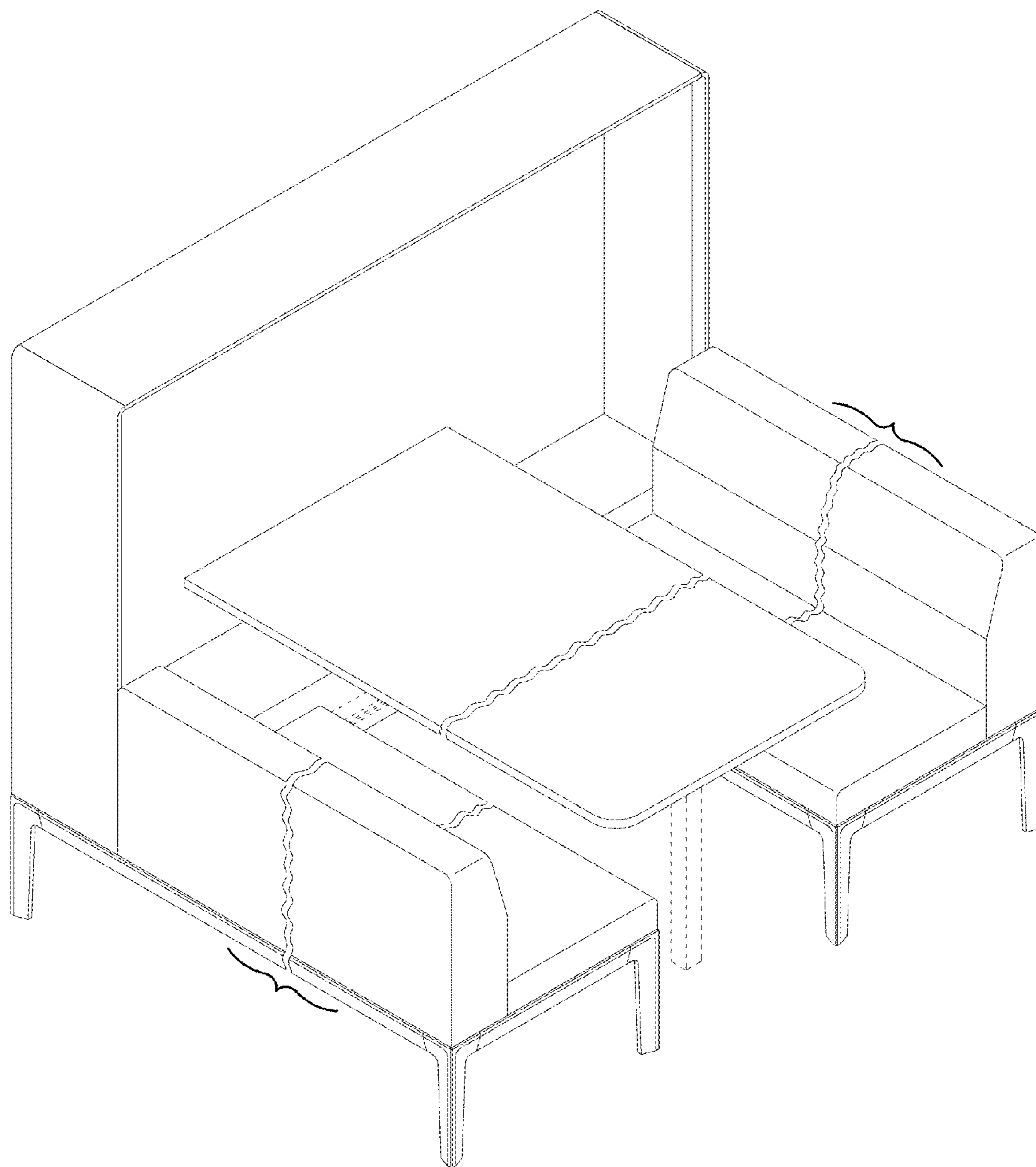


FIG. 13

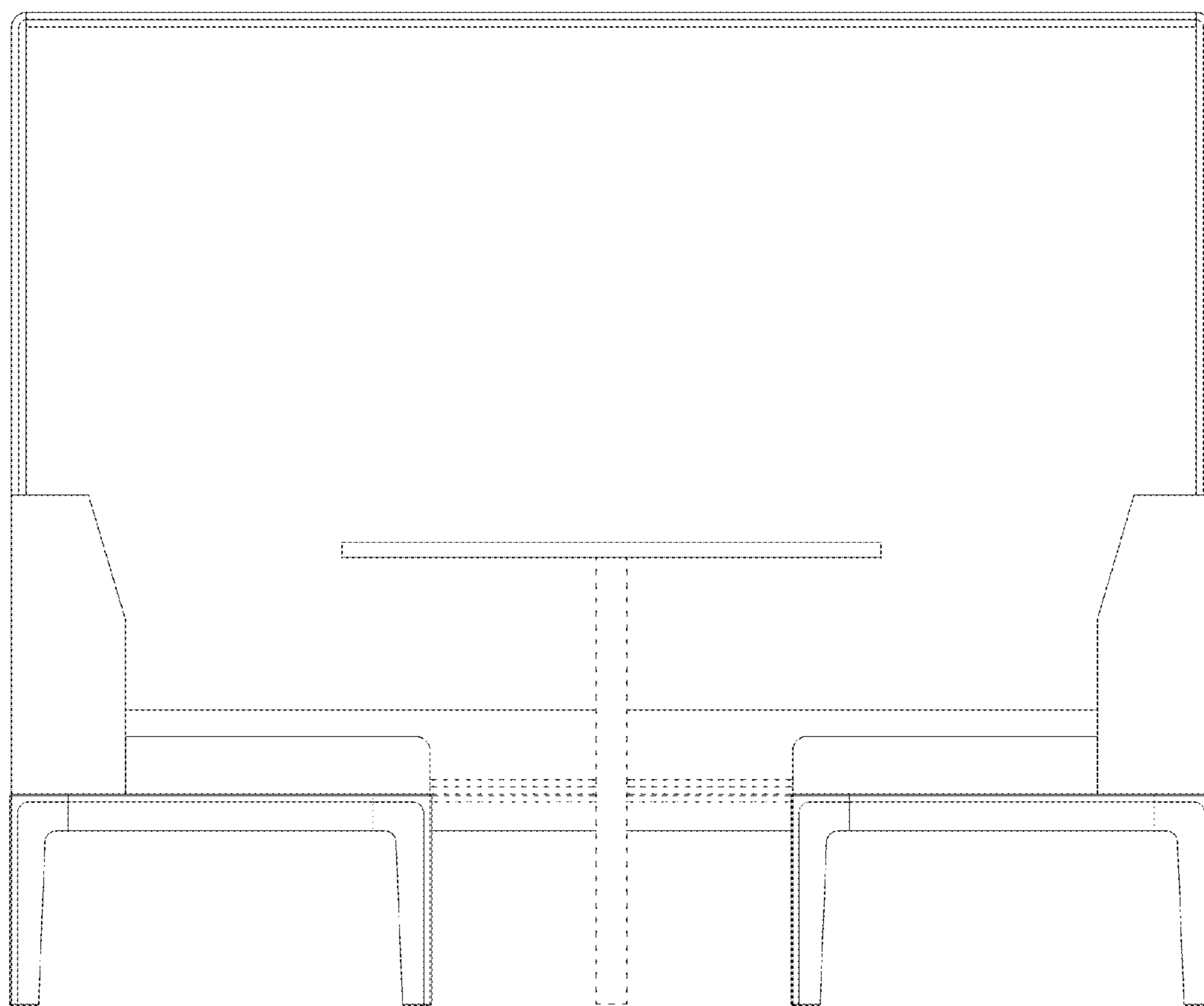


FIG. 14



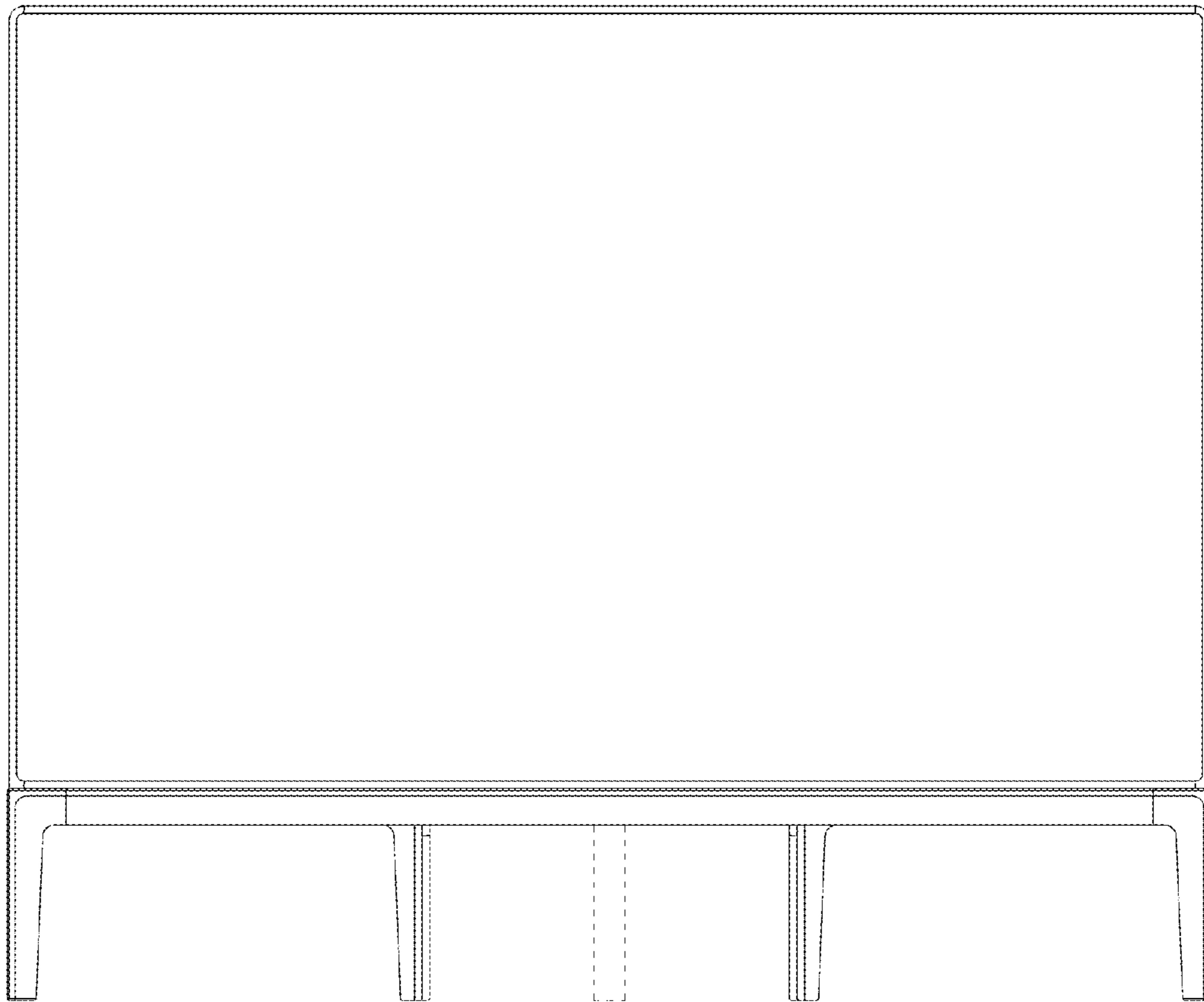


FIG. 15

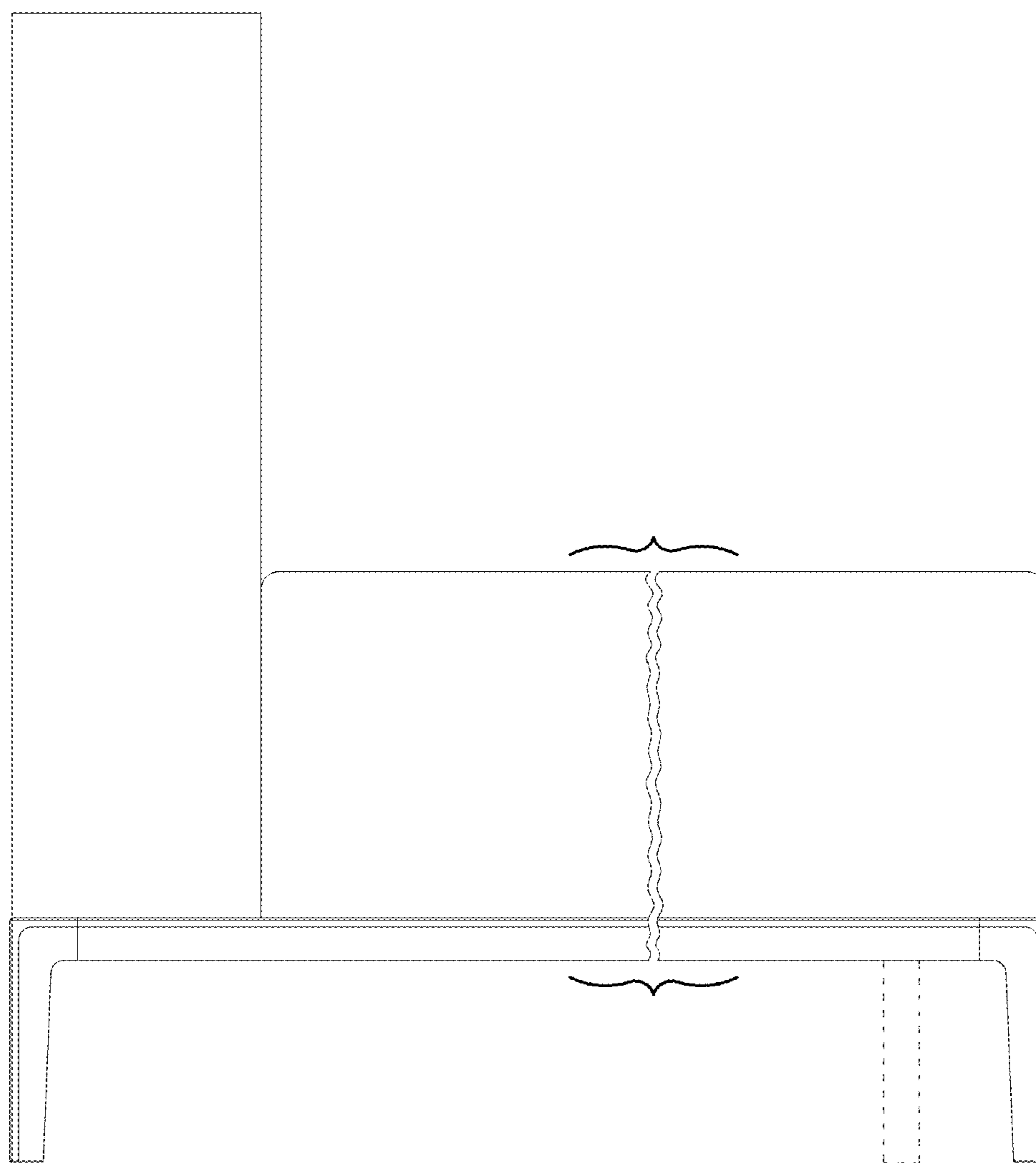


FIG. 16

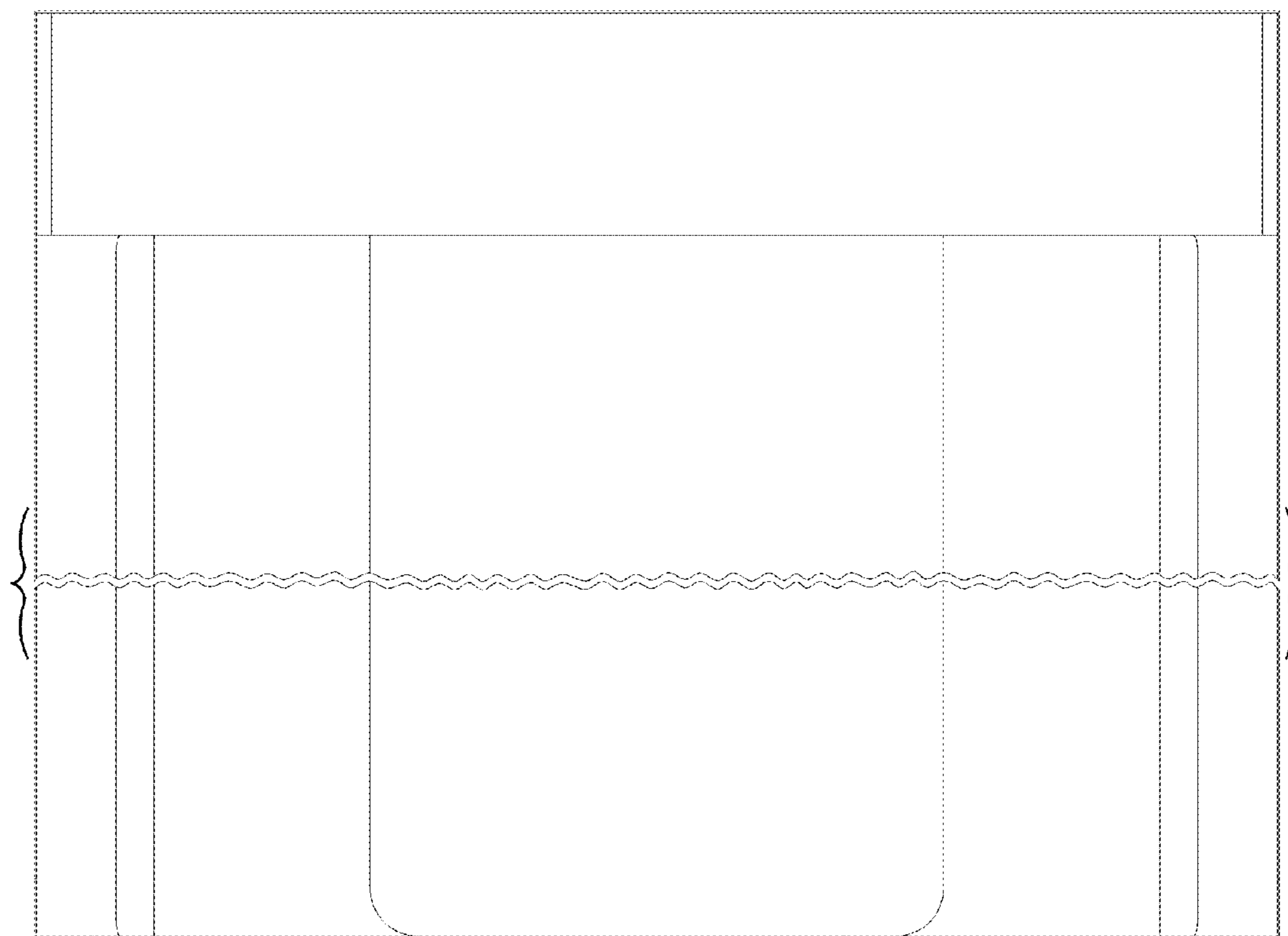


FIG. 17

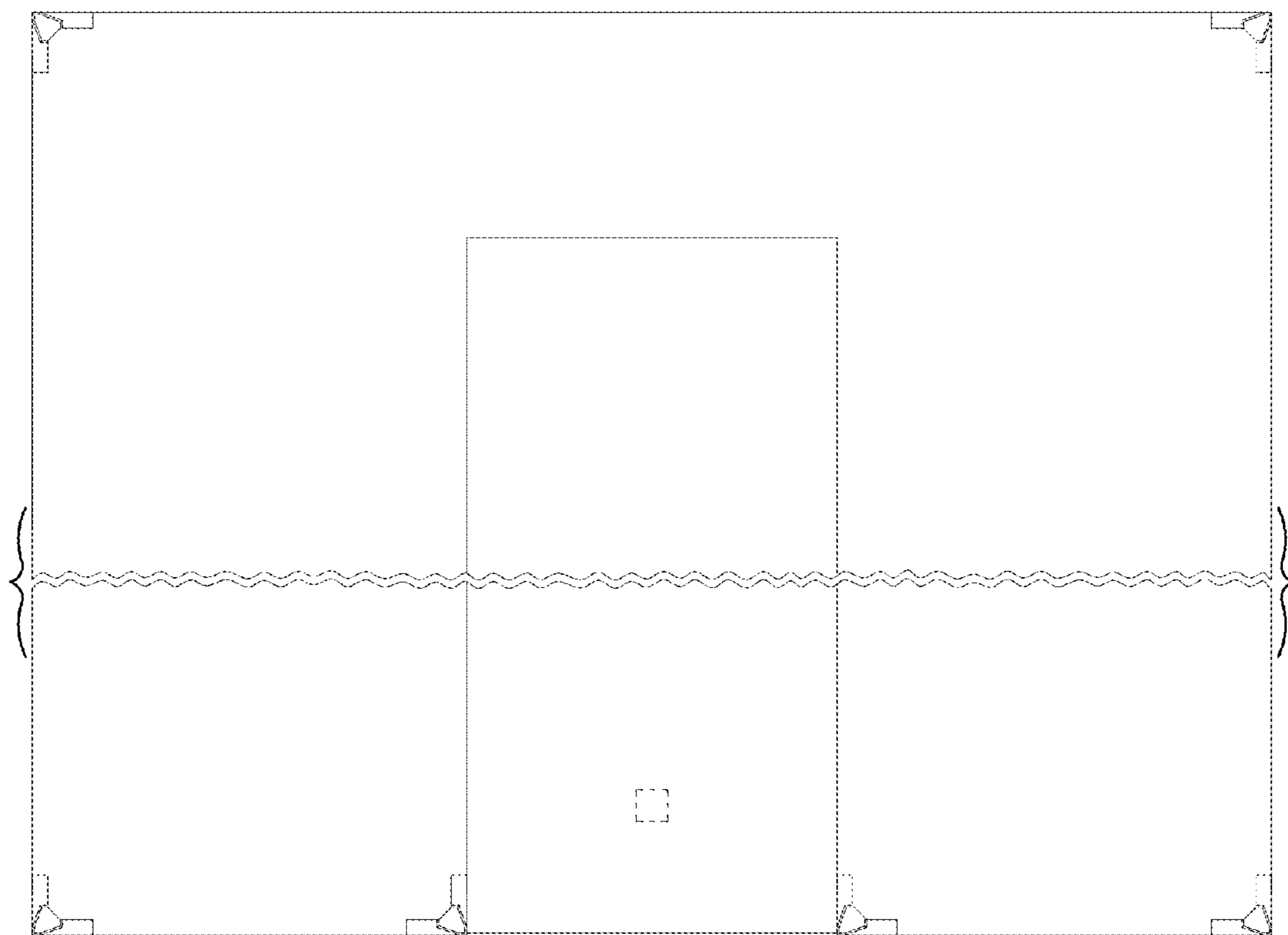


FIG. 18