



US00D714065S

(12) **United States Design Patent**  
**Chitayat et al.**

(10) **Patent No.:** **US D714,065 S**  
(45) **Date of Patent:** **\*\* Sep. 30, 2014**

(54) **BRUSH HAVING HEAD WITH MULTIPLE CLEANING ELEMENTS**

(71) Applicant: **Genimex Jersey Ltd.**, Shanghai (CN)

(72) Inventors: **David Dennys Chitayat**, Shanghai (CN); **Heather Tomasetti**, Shanghai (CN); **Pieter Schouten**, Berkeley, CA (US)

(\*\*) Term: **14 Years**

(21) Appl. No.: **29/466,899**

(22) Filed: **Sep. 12, 2013**

**Related U.S. Application Data**

(63) Continuation of application No. 13/098,676, filed on May 2, 2011, now abandoned.

(51) **LOC (10) Cl.** ..... **14-03**

(52) **U.S. Cl.**  
USPC ..... **D4/128**

(58) **Field of Classification Search**  
USPC ..... D4/128, 129, 131, 136, 138, 108, 109, D4/119; D32/35, 51; 15/104.5, 104.16, 15/104.2, 104.31, 104.32, 164, 165, 206; D28/65; D7/682; 452/298, 458  
See application file for complete search history.

(56) **References Cited**

**U.S. PATENT DOCUMENTS**

2,789,305	A	4/1957	Weil	
3,204,277	A	9/1965	Visman	
4,199,835	A	4/1980	Heyer et al.	
4,571,766	A	2/1986	Goldman et al.	
5,339,480	A *	8/1994	Murg et al.	15/106
5,491,863	A *	2/1996	Dunn	15/106
5,636,400	A *	6/1997	Young	15/23
D452,080	S *	12/2001	Petner	D4/114
6,490,760	B1	12/2002	Lauer et al.	
D489,536	S *	5/2004	Dunn	D4/131

D489,903	S *	5/2004	Dunn	D4/128
6,739,016	B2 *	5/2004	Bigio	15/160
7,017,222	B2 *	3/2006	Dunn	15/106
D524,548	S *	7/2006	Hay	D4/128
D524,549	S *	7/2006	Ajluni et al.	D4/128
D537,254	S *	2/2007	Miles et al.	D4/128
D539,040	S *	3/2007	Hay	D4/128

(Continued)

*Primary Examiner* — Austin Murphy

(74) *Attorney, Agent, or Firm* — Patent Law Offices of Michael E. Woods; Michael E. Woods

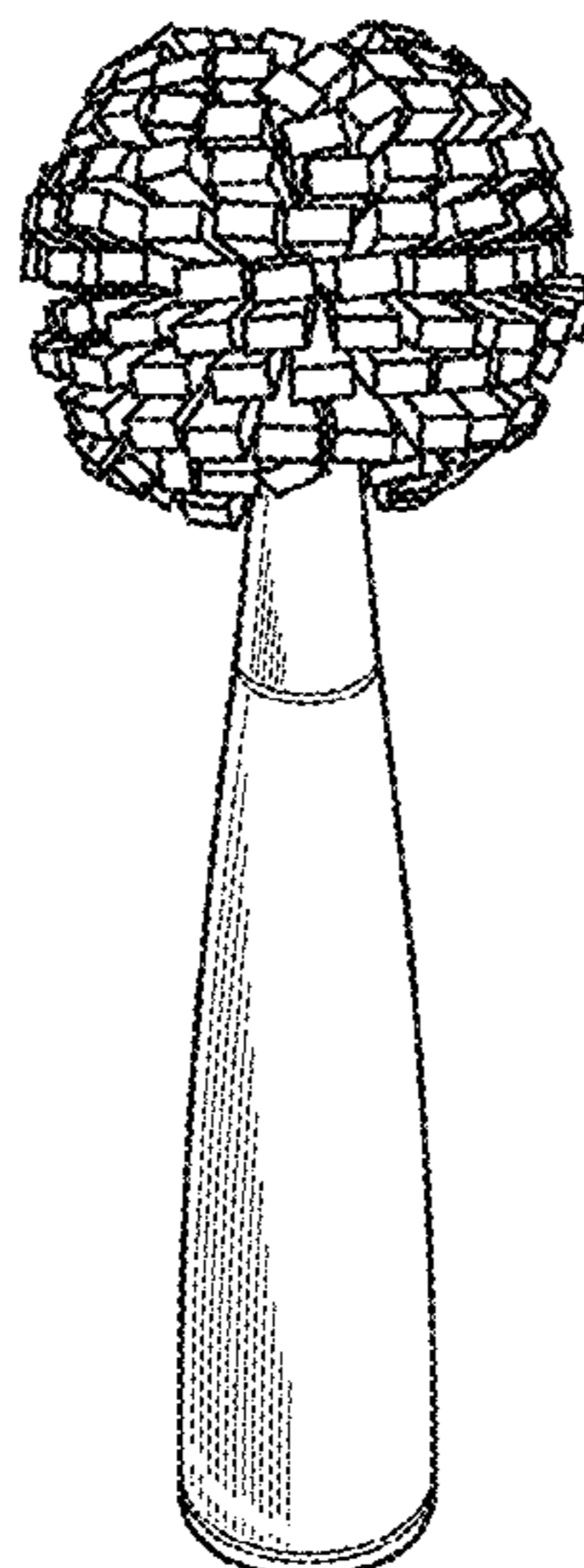
(57) **CLAIM**

The ornamental design for a brush having head with multiple cleaning elements, as shown and described.

**DESCRIPTION**

FIG. 1 is a perspective view of the first embodiment of the brush having head with multiple cleaning elements;  
 FIG. 2 is a side view thereof, the front, back and other side being mirror images;  
 FIG. 3 is a top view thereof;  
 FIG. 4 is an exploded, unassembled view thereof illustrating a brush head assembly, the assembly including a plurality of layers of notched, uncompressed absorbent disks and a coupler used to attach the layers to a handle, the plurality of layers of notched, uncompressed absorbent disks not forming a part of the claimed design;  
 FIG. 5 is a perspective view of the second embodiment of the brush having head with multiple cleaning elements;  
 FIG. 6 is a side view thereof, the front, back and other side being mirror images;  
 FIG. 7 is a top view thereof; and,  
 FIG. 8 is an exploded, unassembled view thereof illustrating brush head assembly for connection to a handle, the assembly including a plurality of layers of notched, uncompressed absorbent disks and a coupler used to attach the layers to a handle, the plurality of layers of notched, uncompressed absorbent disks not forming a part of the claimed design.

**1 Claim, 8 Drawing Sheets**



(56)

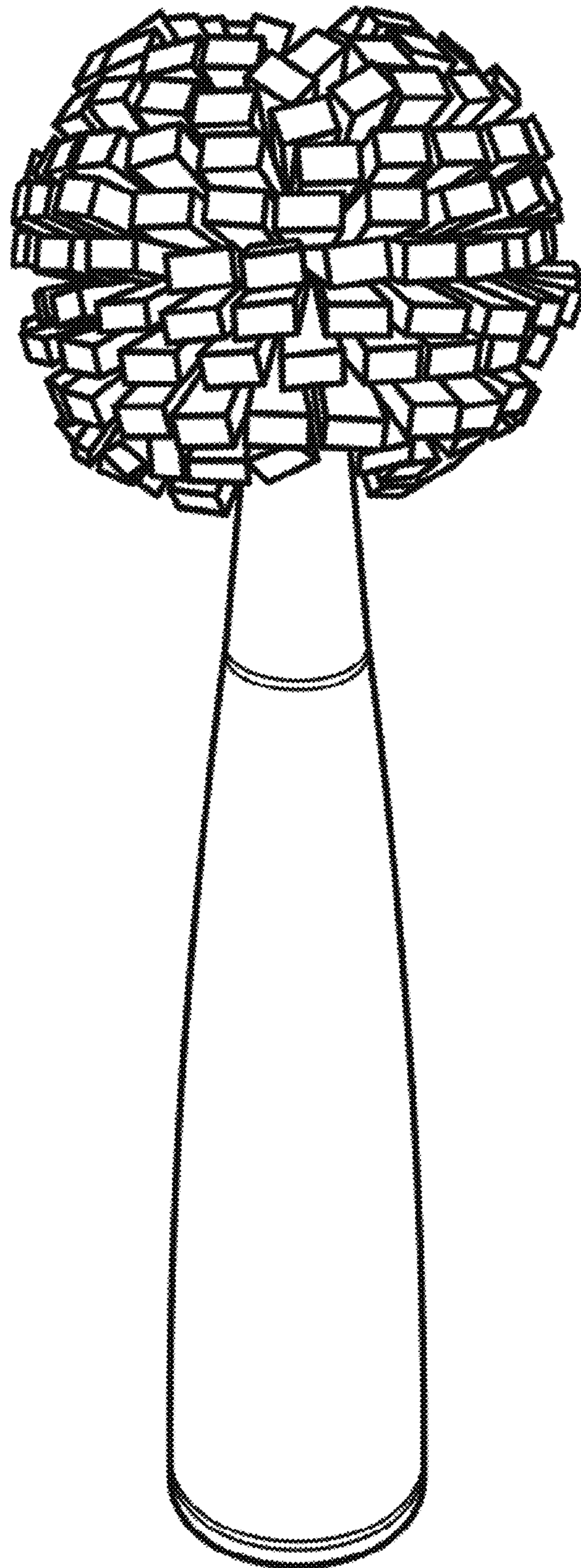
**References Cited**

U.S. PATENT DOCUMENTS

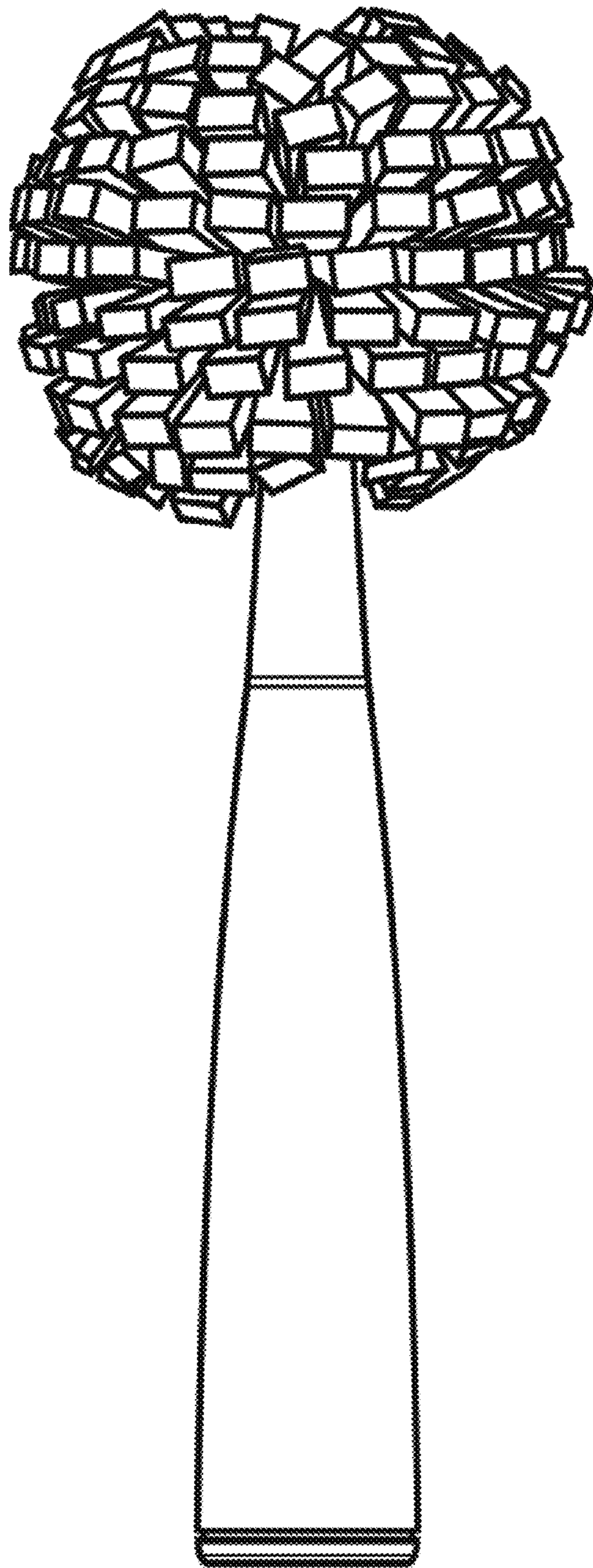
D550,460 S \* 9/2007 Dunn et al. .... D4/128  
D581,676 S \* 12/2008 Libman et al. .... D4/138  
D624,755 S \* 10/2010 Luis et al. .... D4/111  
D625,924 S \* 10/2010 Juergens ..... D4/128

D632,485 S \* 2/2011 Bigio ..... D4/128  
D639,565 S \* 6/2011 Kulik ..... D4/128  
D647,703 S \* 11/2011 Li ..... D4/128  
2007/0009678 A1 1/2007 Liao  
2007/0274762 A1\* 11/2007 Edwards et al. .... 401/39

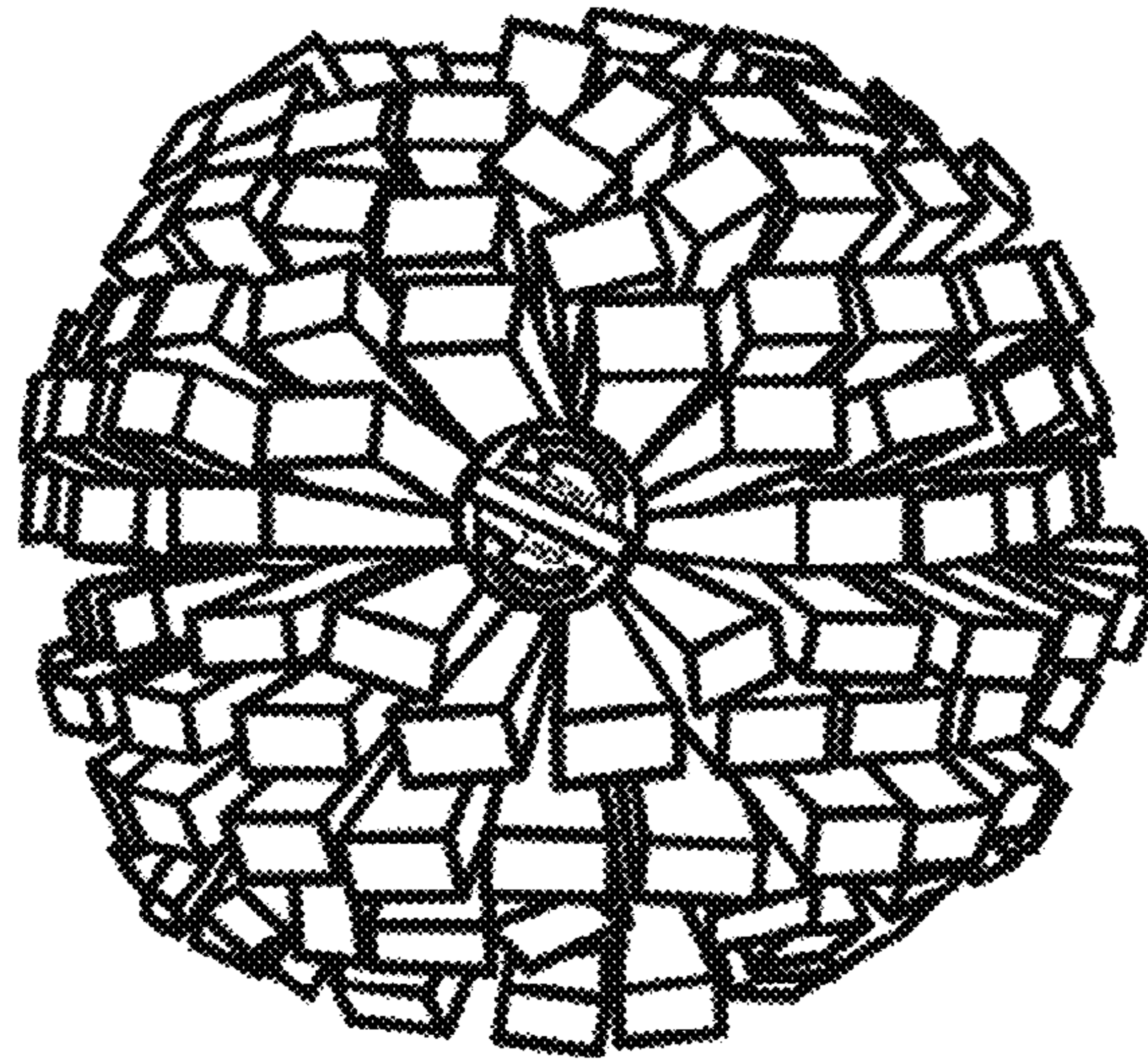
\* cited by examiner



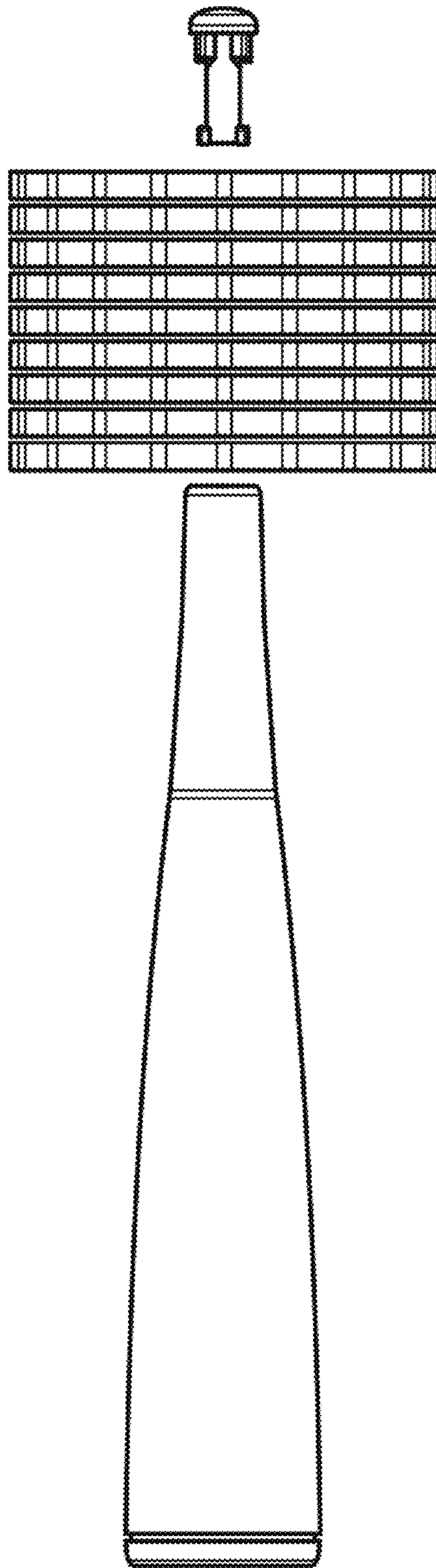
**FIG. 1**



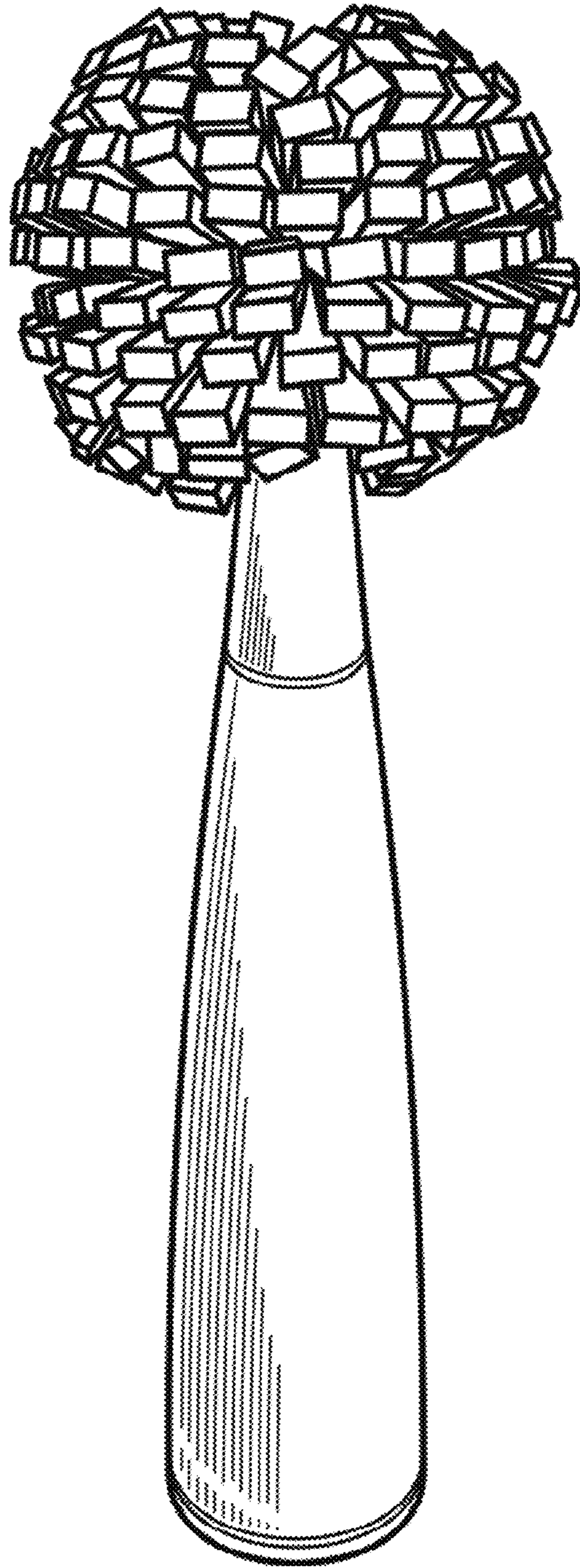
**FIG. 2**



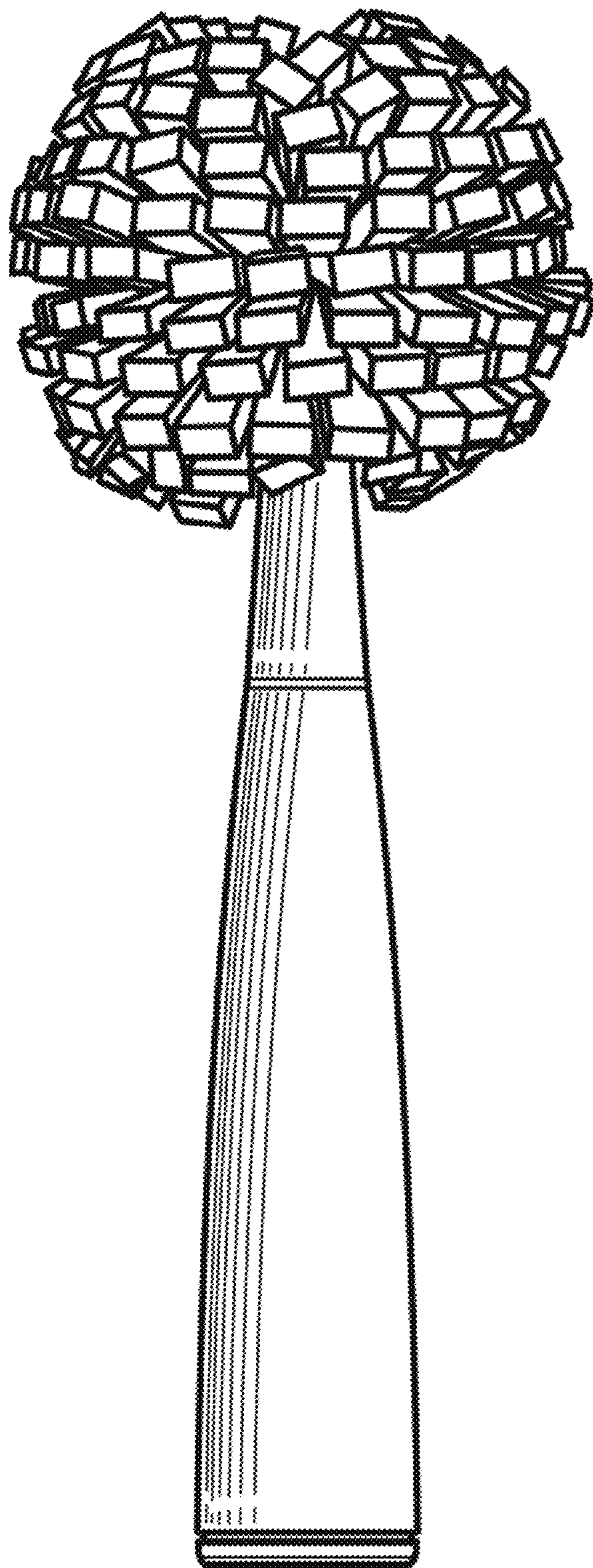
**FIG. 3**



**FIG. 4**

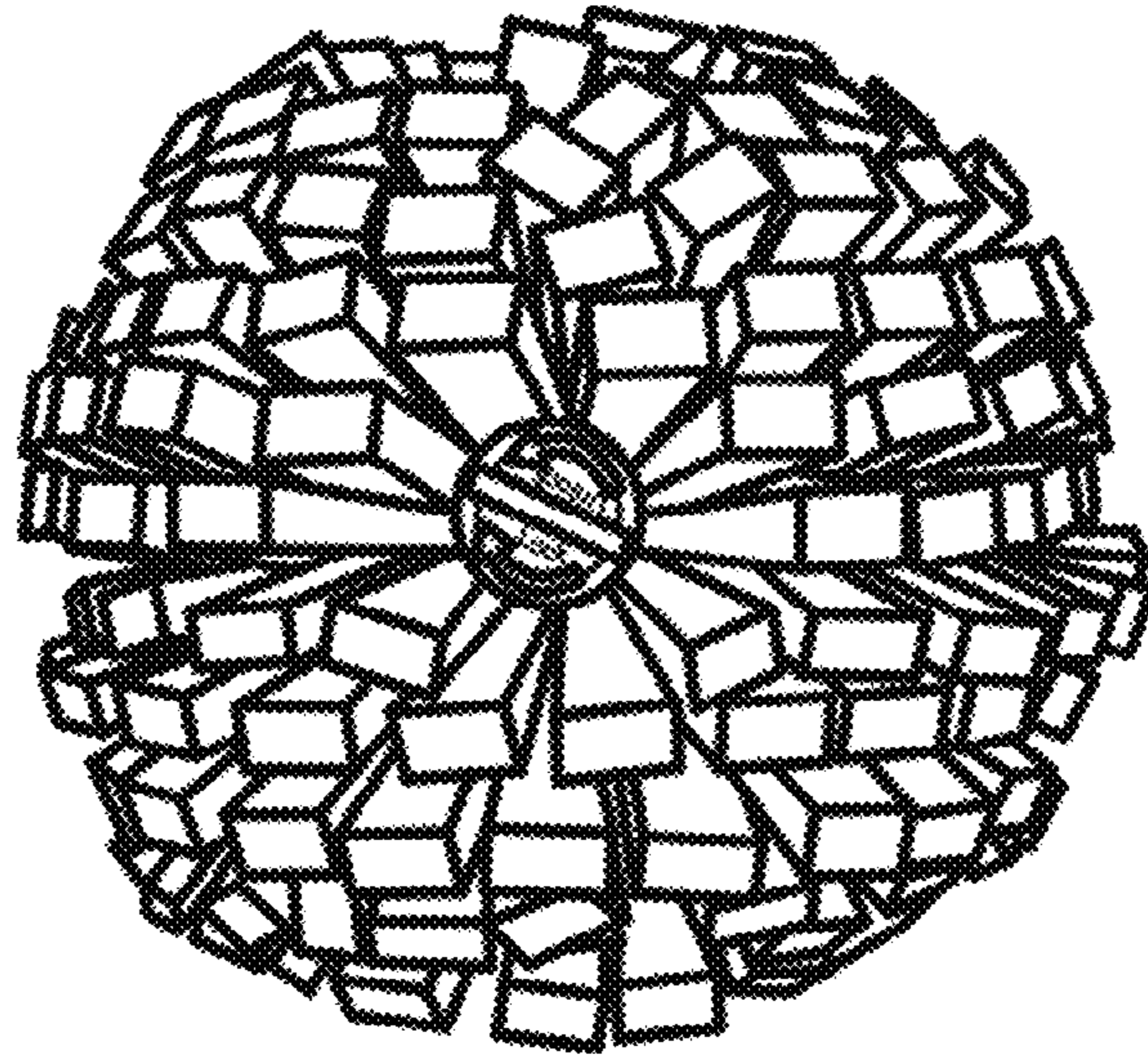


**FIG. 5**

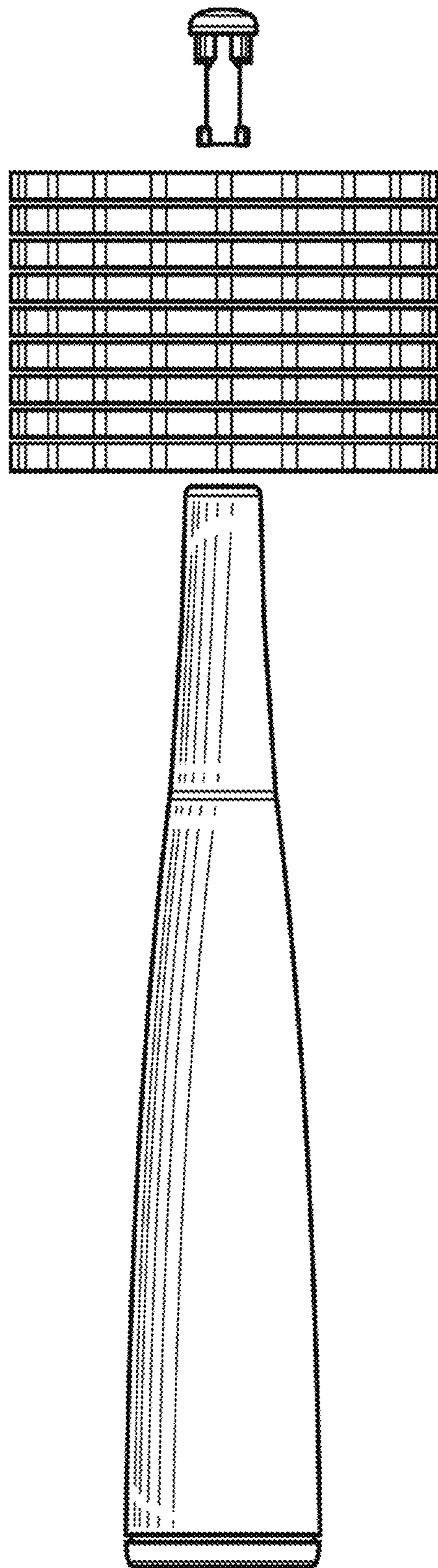


**FIG. 6**





**FIG. 7**



**FIG. 8**