



US00D714062S

(12) **United States Design Patent**
Chen

(10) **Patent No.:** **US D714,062 S**
(45) **Date of Patent:** **** Sep. 30, 2014**

(54) **SOCKET RACK**

DESCRIPTION

(76) Inventor: **Chungeng Chen**, Las Vegas, NV (US)
(**) Term: **14 Years**
(21) Appl. No.: **29/414,018**
(22) Filed: **Feb. 23, 2012**
(51) **LOC (10) Cl.** **03-01**
(52) **U.S. Cl.**
USPC **D3/315; D3/313; D8/71**
(58) **Field of Classification Search**
USPC D3/273, 282, 284, 304–315, 901, 905;
D6/567; D8/17, 21–29, 71, 97, 107;
D9/415; D15/144.1; D24/230;
16/110.1; 81/60, 110.1, 121.1, 124.3,
81/124.6, 165–170, 176.1, 176.15, 176.2,
81/177.1, 177.2, 177.85, 186; 219/75,
219/121.16, 121.18, 227, 229
See application file for complete search history.

FIG. 1 is a front perspective view of a socket rack in accordance with a first embodiment of the present invention; FIG. 2 is a right side elevation view thereof; FIG. 3 is a left side elevation view thereof; FIG. 4 is a top plan view thereof; FIG. 5 is a front elevation view thereof; and FIG. 6 is a bottom plan view thereof. FIG. 7 is a front perspective view of a socket rack in accordance with a second embodiment of the present invention; FIG. 8 is a right side elevation view thereof; FIG. 9 is a left side elevation view thereof; FIG. 10 is a top plan view thereof; FIG. 11 is a front elevation view thereof; and FIG. 12 is a bottom plan view thereof. FIG. 13 is a front perspective view of a socket rack in accordance with a third embodiment of the present invention; FIG. 14 is a right side elevation view thereof; FIG. 15 is a left side elevation view thereof; FIG. 16 is a top plan view thereof; FIG. 17 is a front elevation view thereof; and FIG. 18 is a bottom plan view thereof. FIG. 19 is a front perspective view of a socket rack in accordance with a fourth embodiment of the present invention; FIG. 20 is a right side elevation view thereof; FIG. 21 is a left side elevation view thereof; FIG. 22 is a top plan view thereof; FIG. 23 is a front elevation view thereof; and FIG. 24 is a bottom plan view thereof. FIG. 25 is a front perspective view of a socket rack in accordance with a fifth embodiment of the present invention; FIG. 26 is a right side elevation view thereof; FIG. 27 is a left side elevation view thereof; FIG. 28 is a top plan view thereof; FIG. 29 is a front elevation view thereof; and FIG. 30 is a bottom plan view thereto. FIG. 31 is a front perspective view of a socket rack in accordance with a sixth embodiment of the present invention; FIG. 32 is a right side elevation view thereof; FIG. 33 is a left side elevation view thereof; FIG. 34 is a top plan view thereof; FIG. 35 is a front elevation view thereof; and FIG. 36 is a bottom plan view thereto. The broken lines shown in the drawings illustrate portions of the socket rack that forms no part of claimed design.

(56) **References Cited**

U.S. PATENT DOCUMENTS

1,712,473 A * 5/1929 McWethy 206/378
4,688,672 A * 8/1987 Pemberton 206/378

(Continued)

OTHER PUBLICATIONS

The BenPro™ Tools Socket Stand. Beneficial Products. Dec. 25, 2012 [online], [retrieved on Oct. 22, 2013]. Retrieved from the Internet <URL: <http://www.beneficial-products.com/products/details.php>>.*

(Continued)

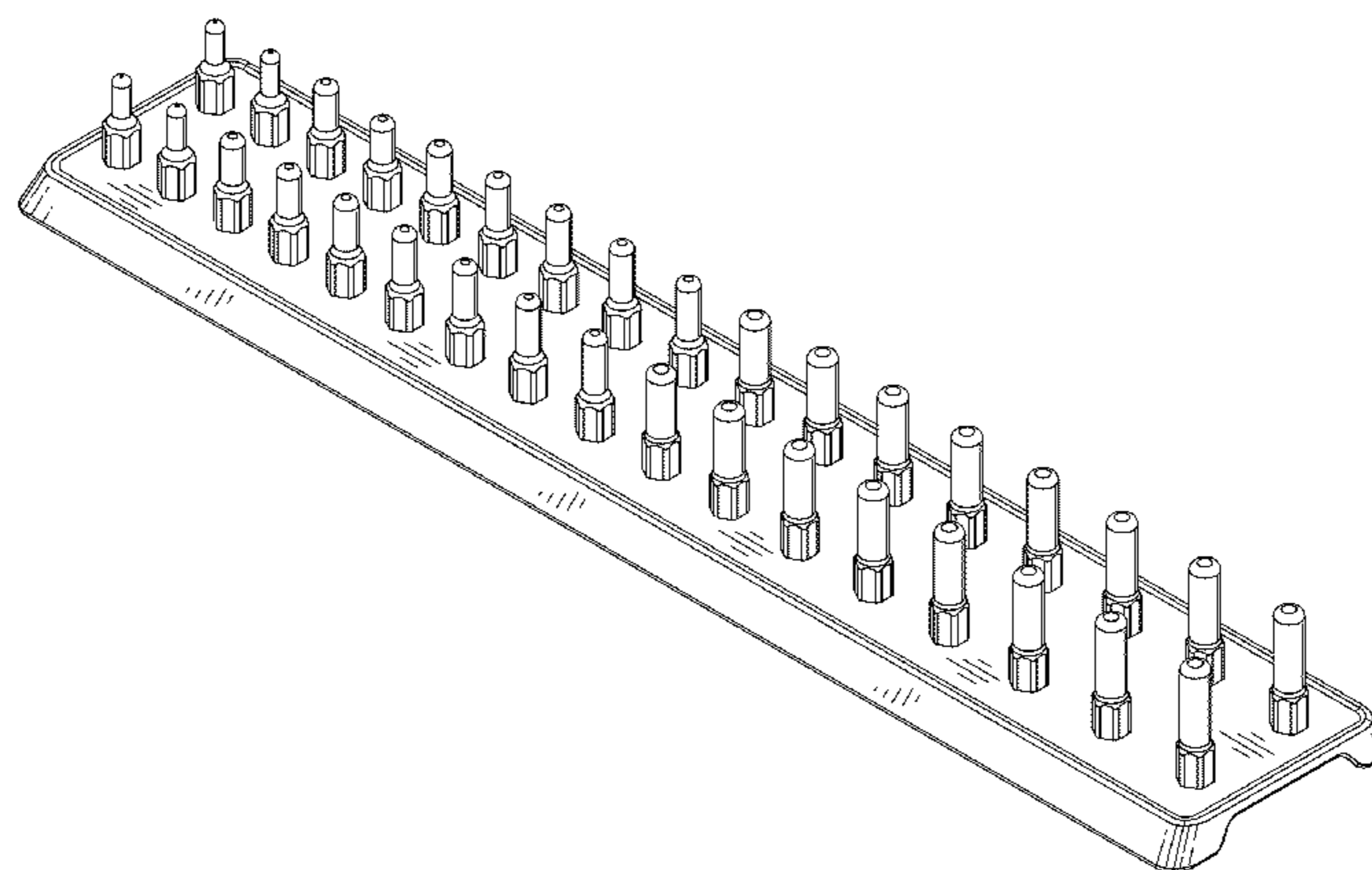
Primary Examiner — Philip S Hyder
Assistant Examiner — Darlington Ly

(74) *Attorney, Agent, or Firm* — Weide & Miller. Ltd.

(57) **CLAIM**

The ornamental design for a socket rack, as shown and described.

1 Claim, 18 Drawing Sheets



(56)

References Cited

U.S. PATENT DOCUMENTS

D352,219 S * 11/1994 Chow D8/71
D355,554 S * 2/1995 Phelps D6/567
5,573,116 A * 11/1996 Zink 206/378
5,743,394 A * 4/1998 Martin 206/378
D426,061 S * 6/2000 Naegele et al. D3/313
6,168,018 B1 * 1/2001 Ramsey et al. 206/378
7,424,953 B2 * 9/2008 McCarty et al. 206/378
8,083,059 B1 * 12/2011 Wessel, IV 206/378

8,152,003 B1 * 4/2012 Kao 211/70.6
D683,965 S * 6/2013 Ou D3/315
D685,581 S * 7/2013 Chen D3/315

OTHER PUBLICATIONS

Triton Products. Magnetic Socket. Feb. 4, 2013 [online], [retrieved on Nov. 3, 2013]. Retrieved from the Internet <URL: <http://www.tritonproducts.com/magnetic-socket-storage/>>.*

* cited by examiner

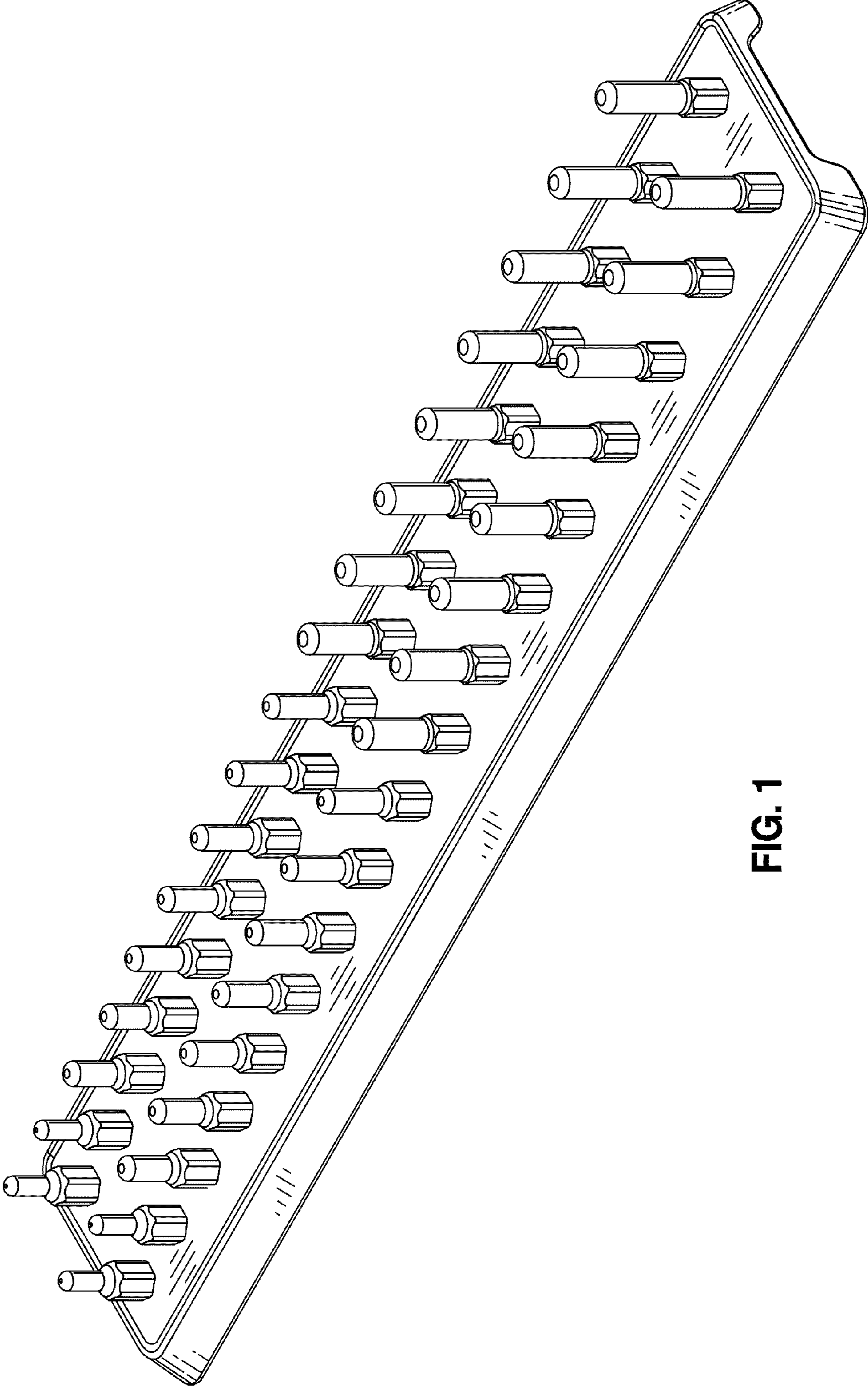


FIG. 1

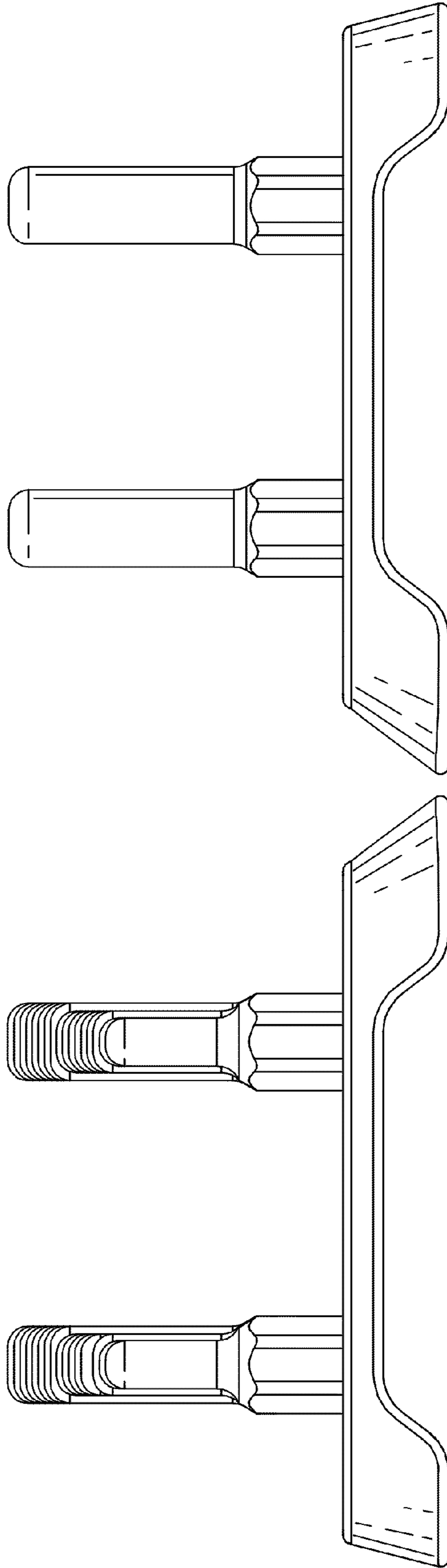


FIG. 2

FIG. 3

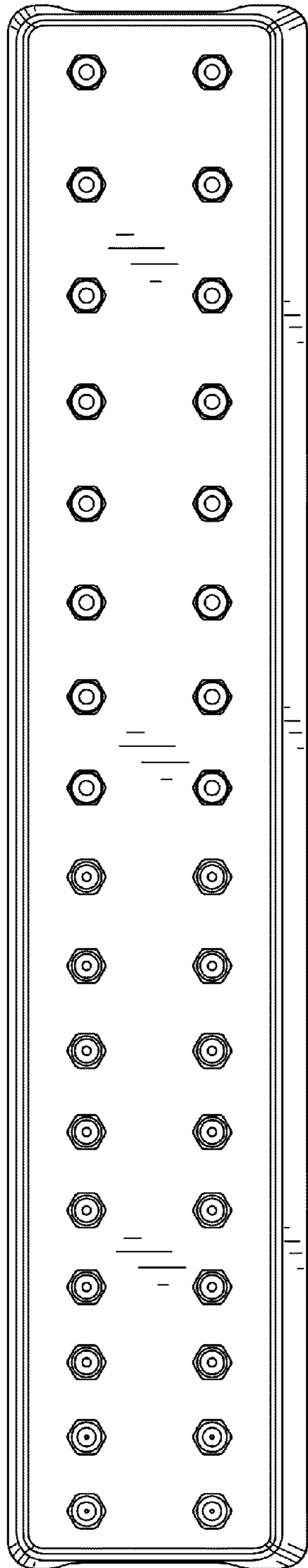


FIG. 4

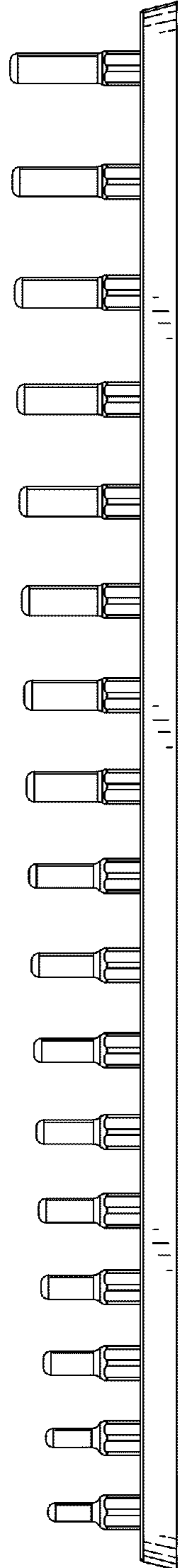


FIG. 5

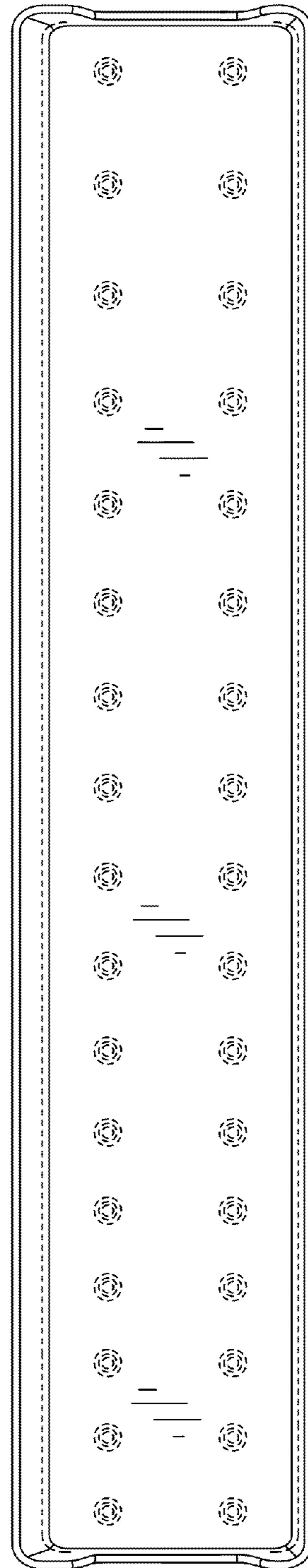


FIG. 6

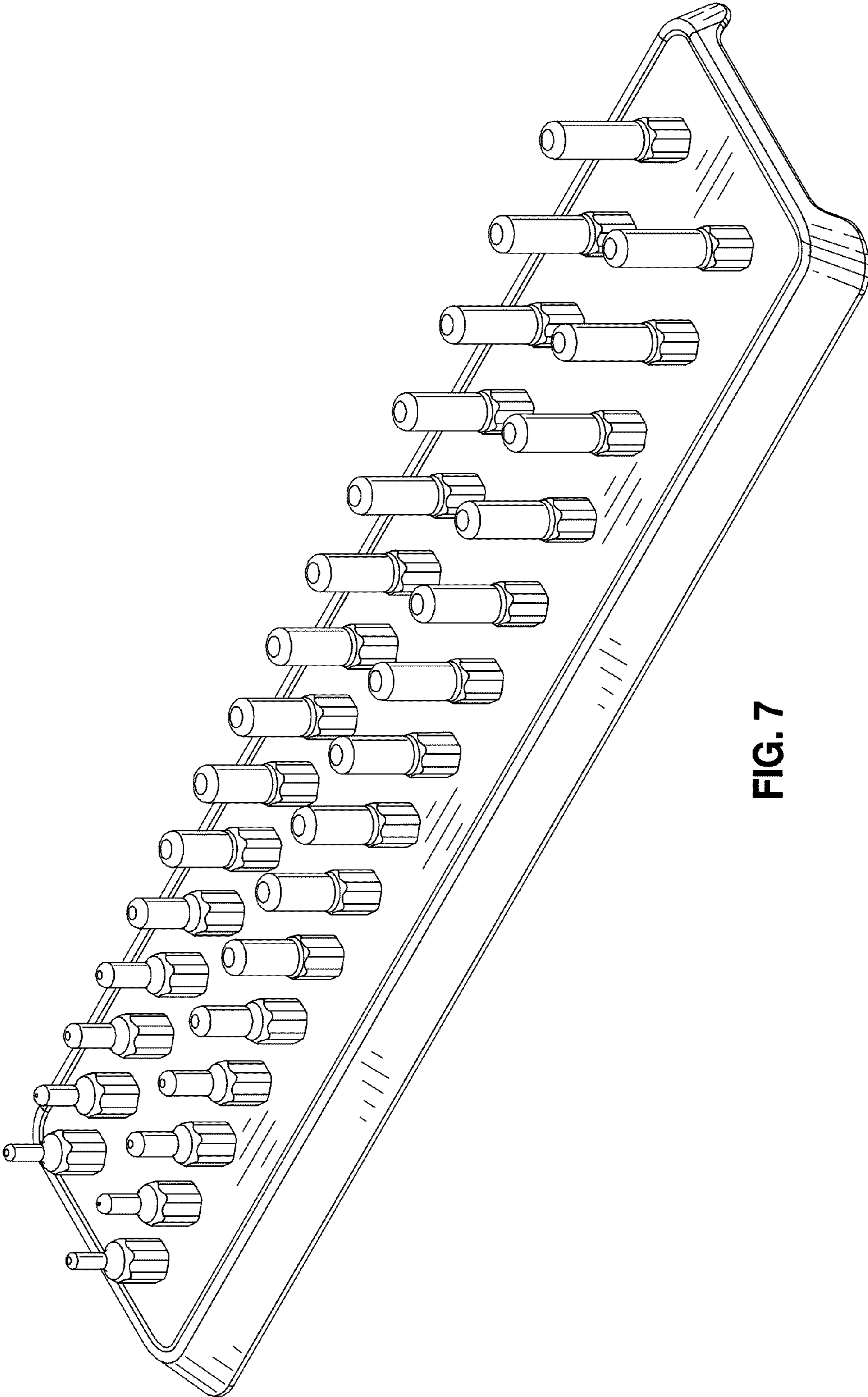


FIG. 7

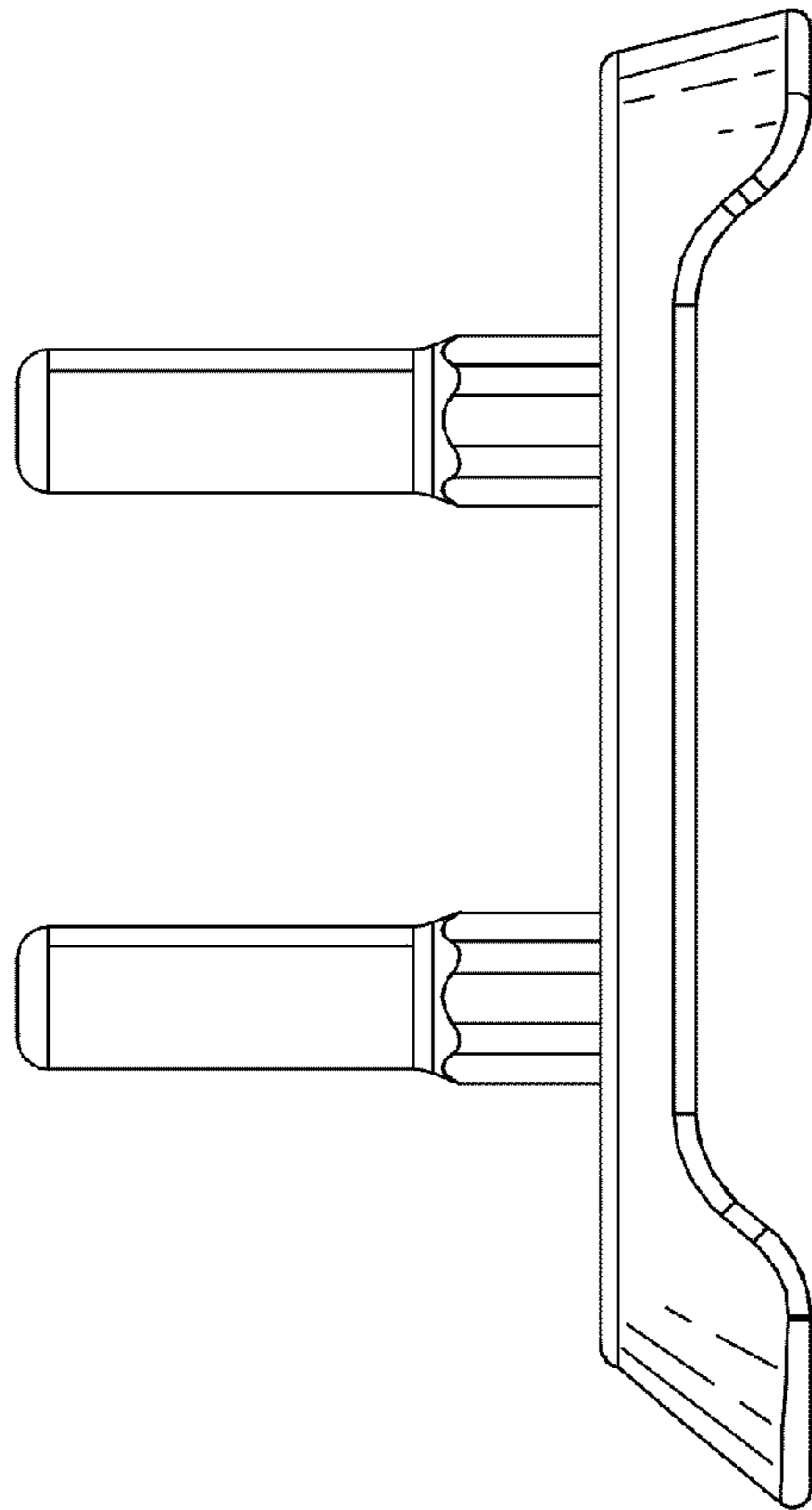


FIG. 9

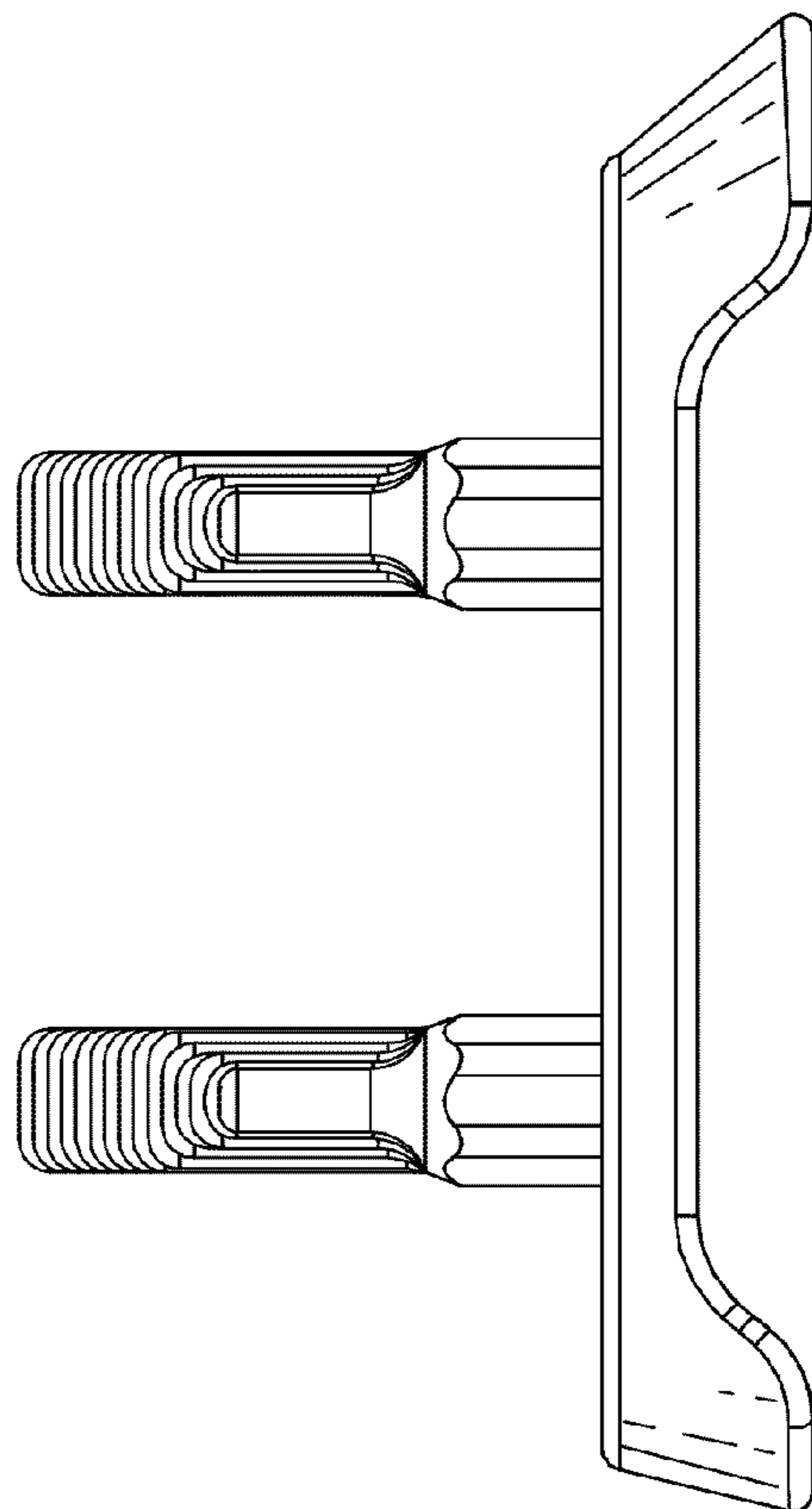


FIG. 8

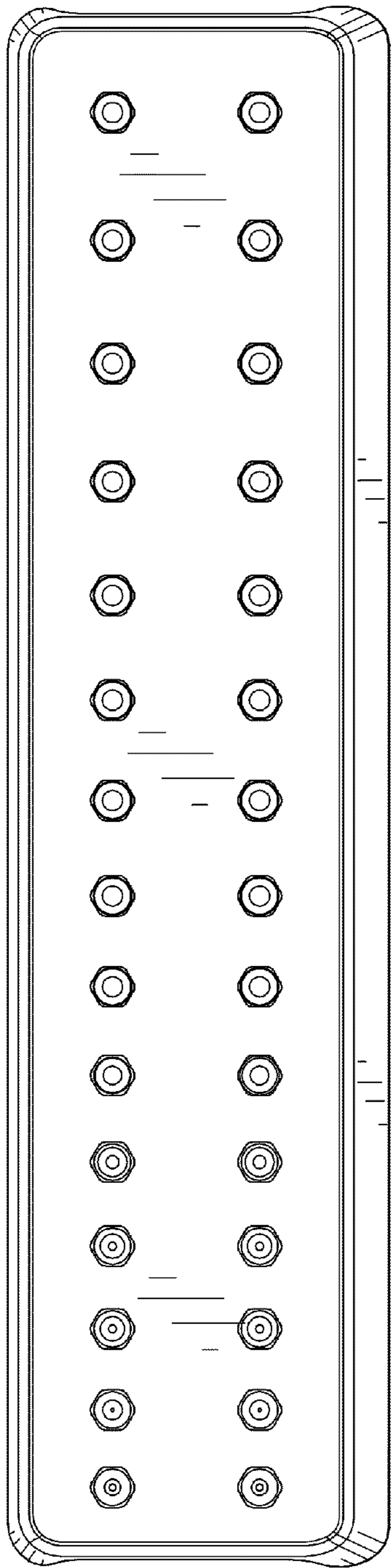


FIG. 10

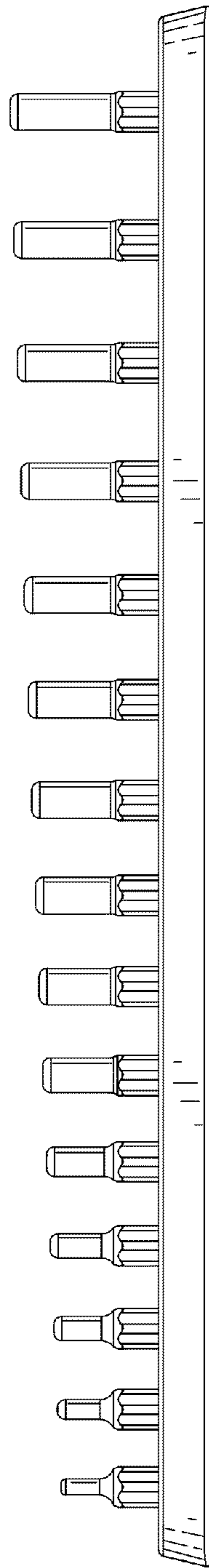


FIG. 11

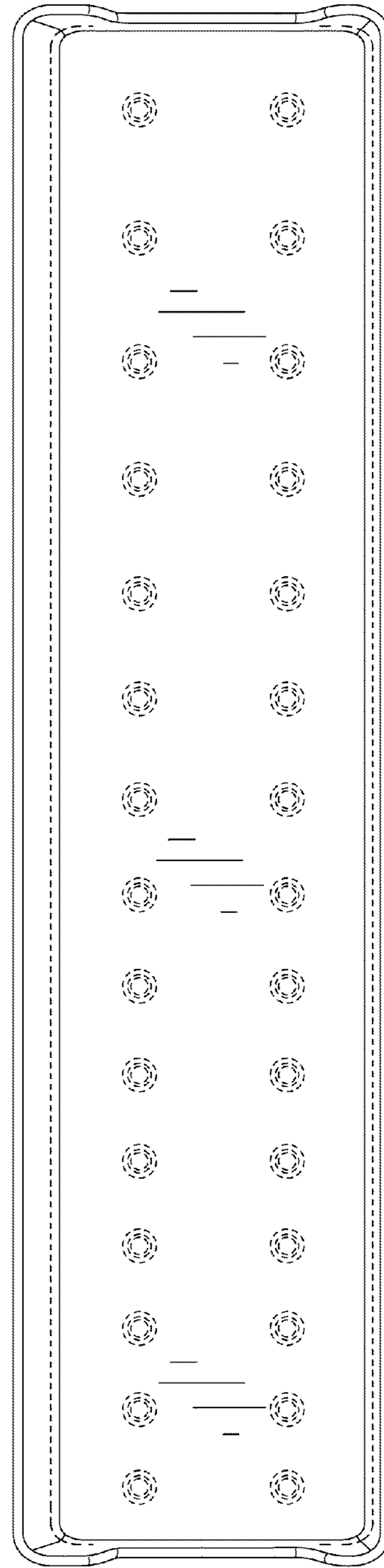


FIG. 12

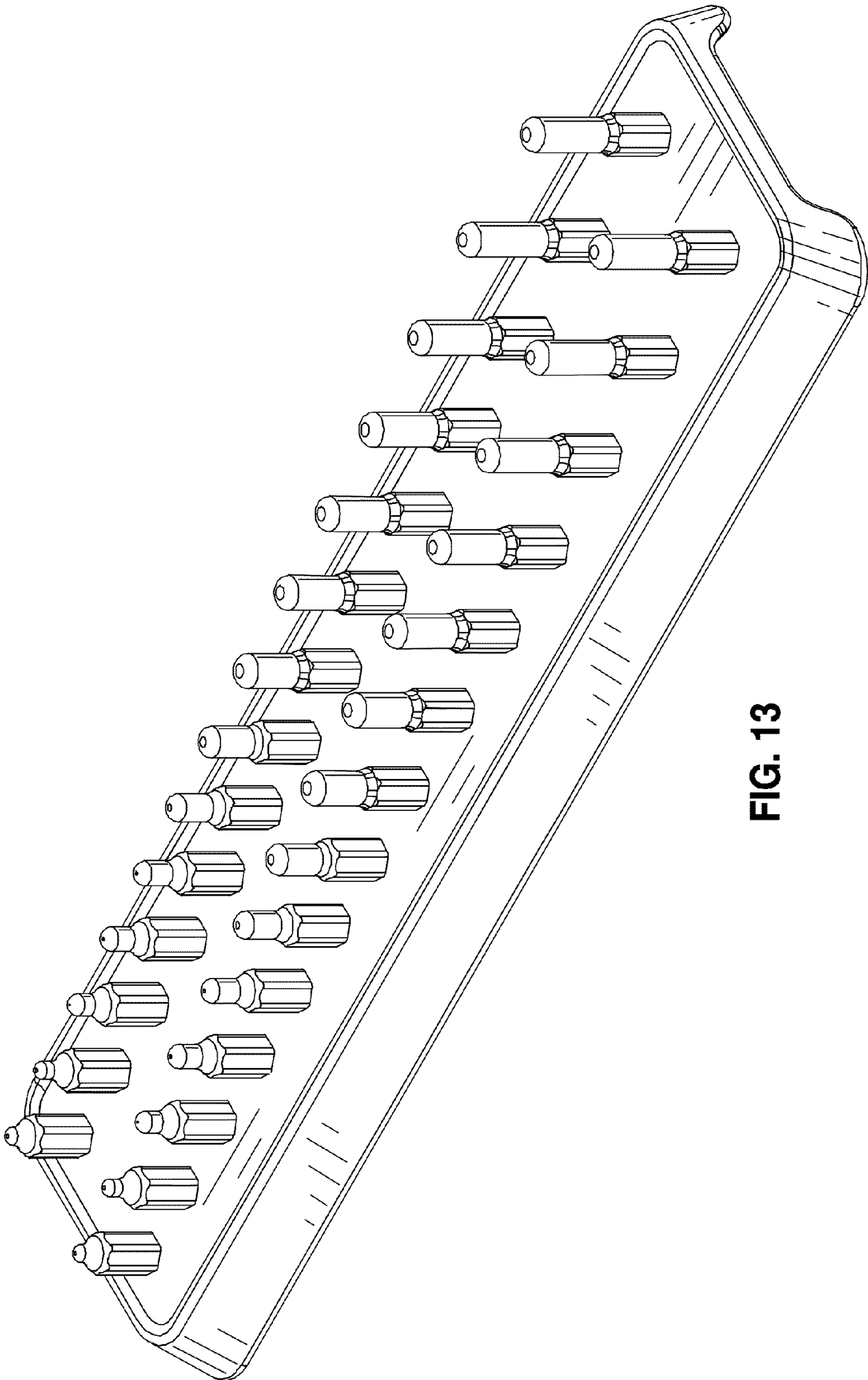


FIG. 13

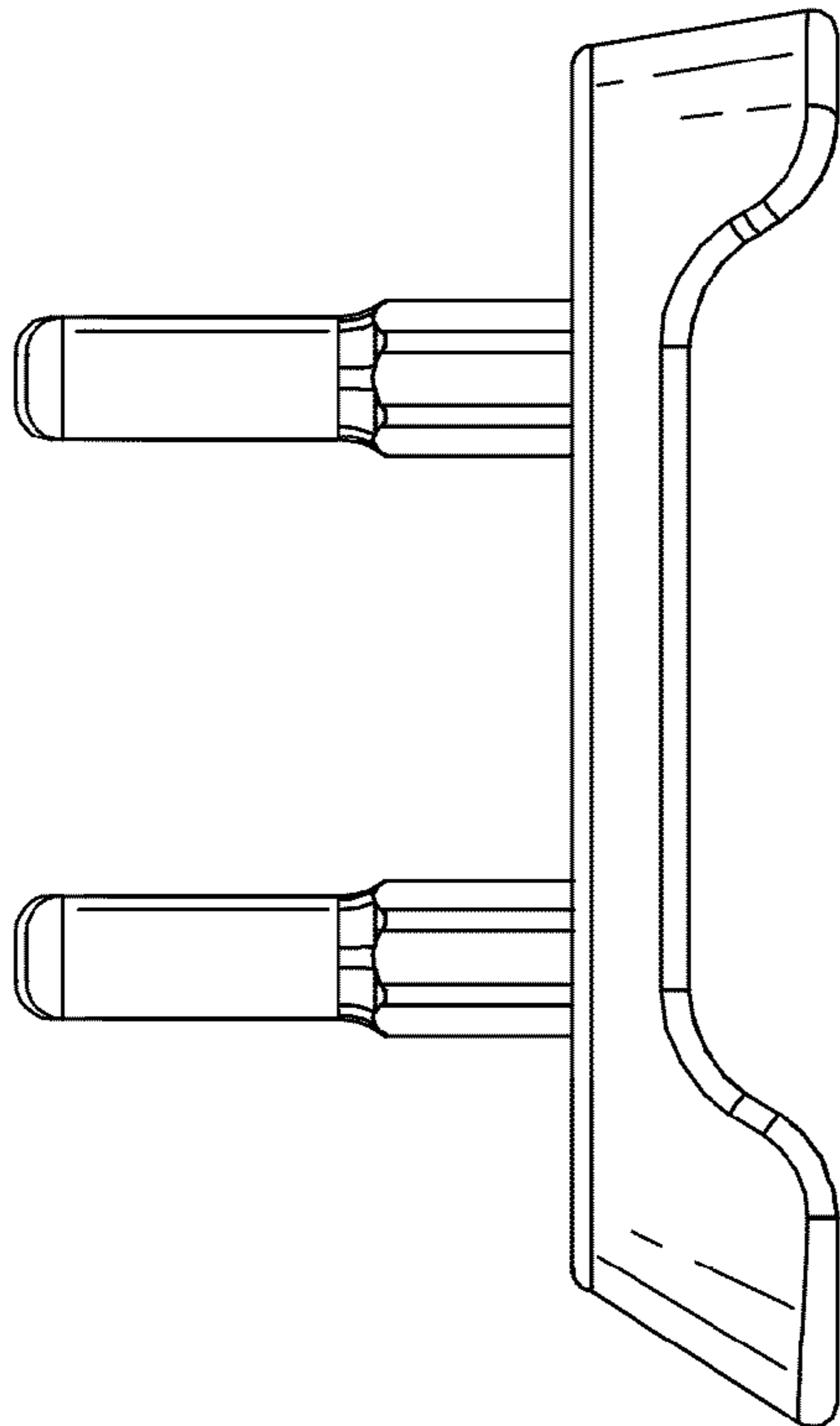


FIG. 15

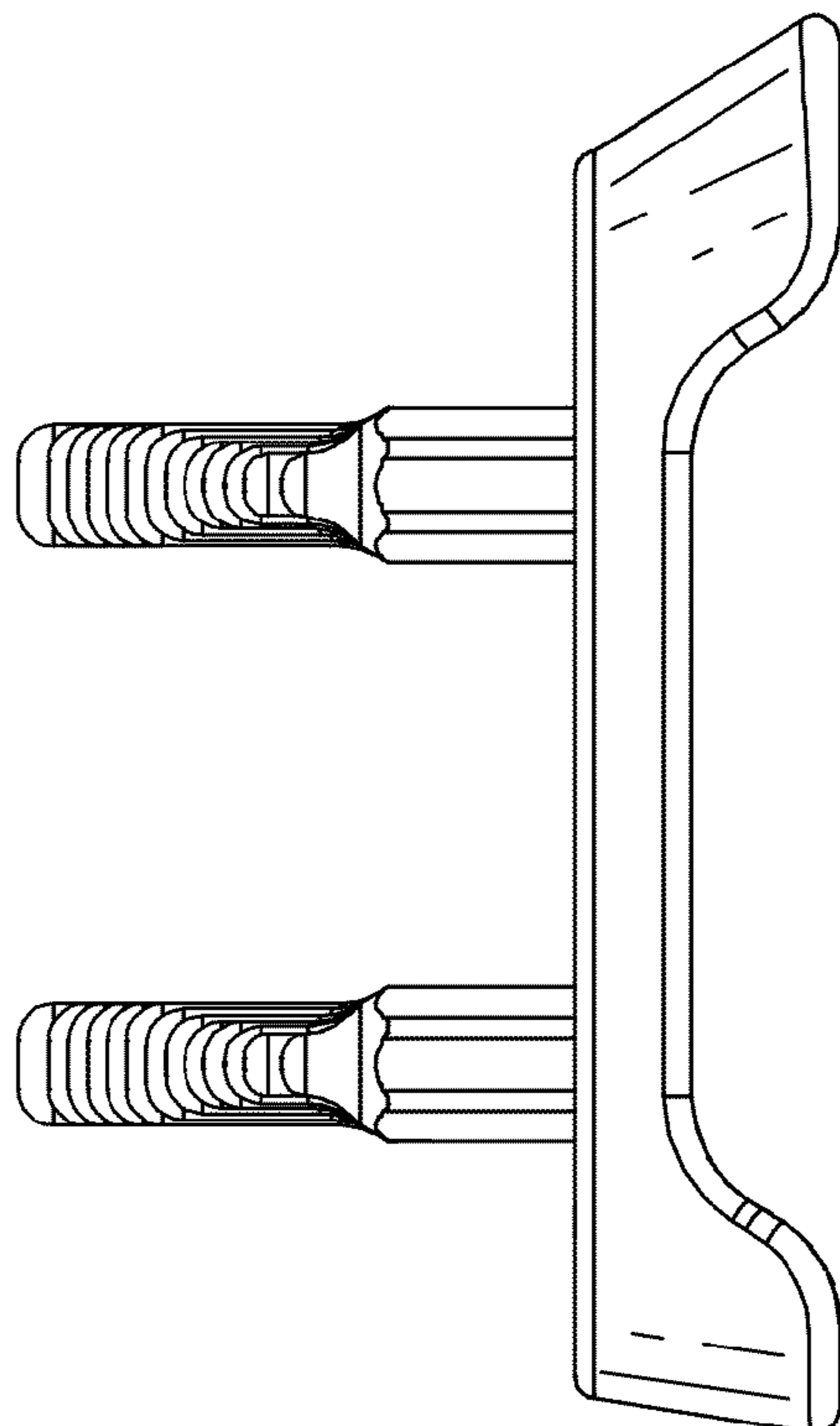


FIG. 14

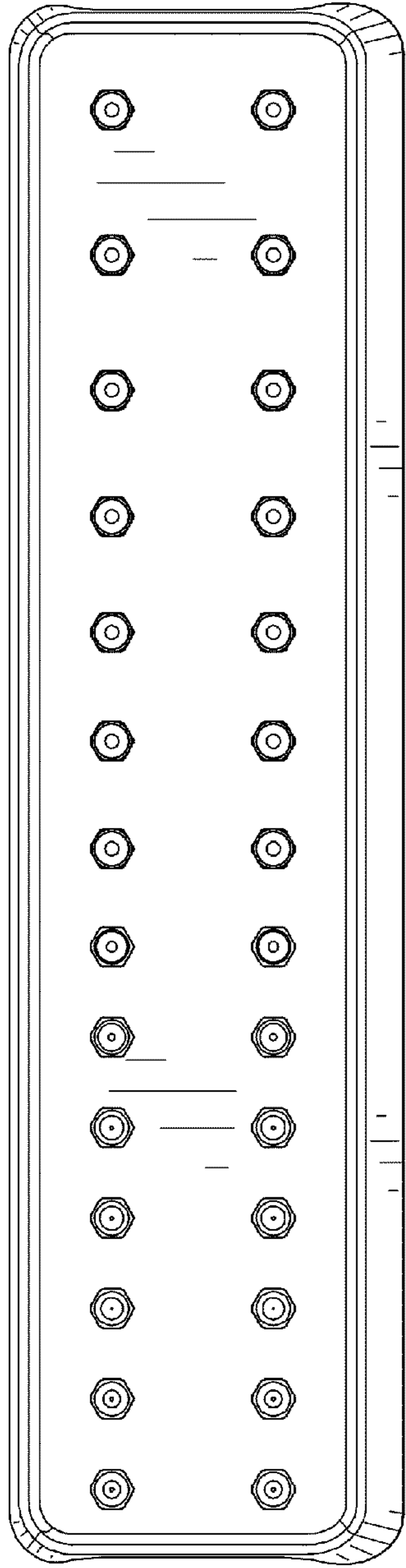


FIG. 16

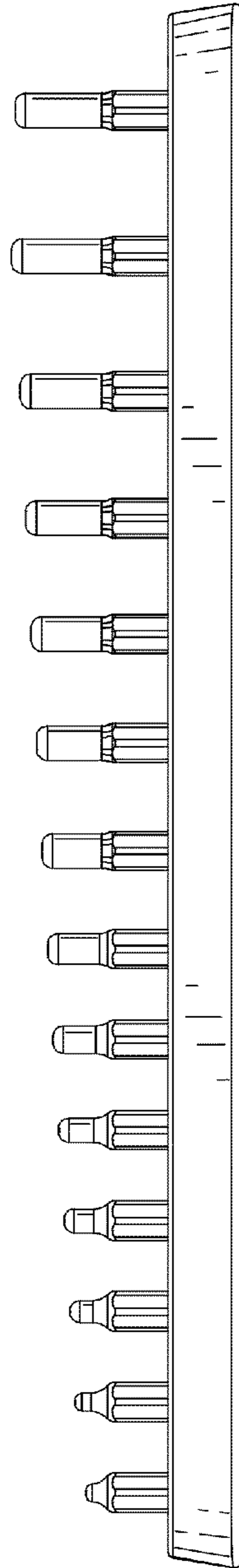


FIG. 17

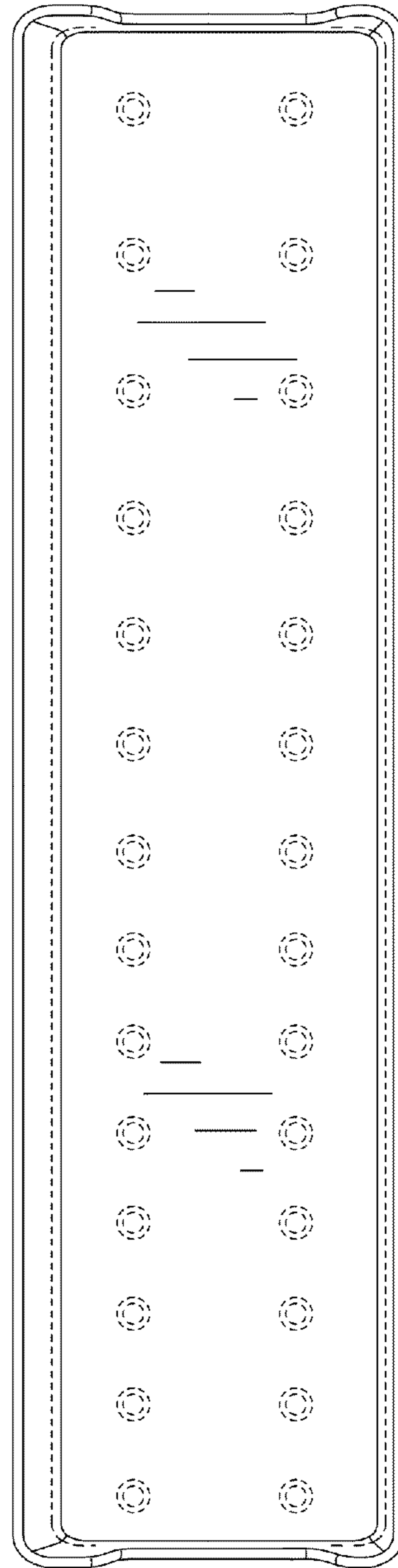


FIG. 18

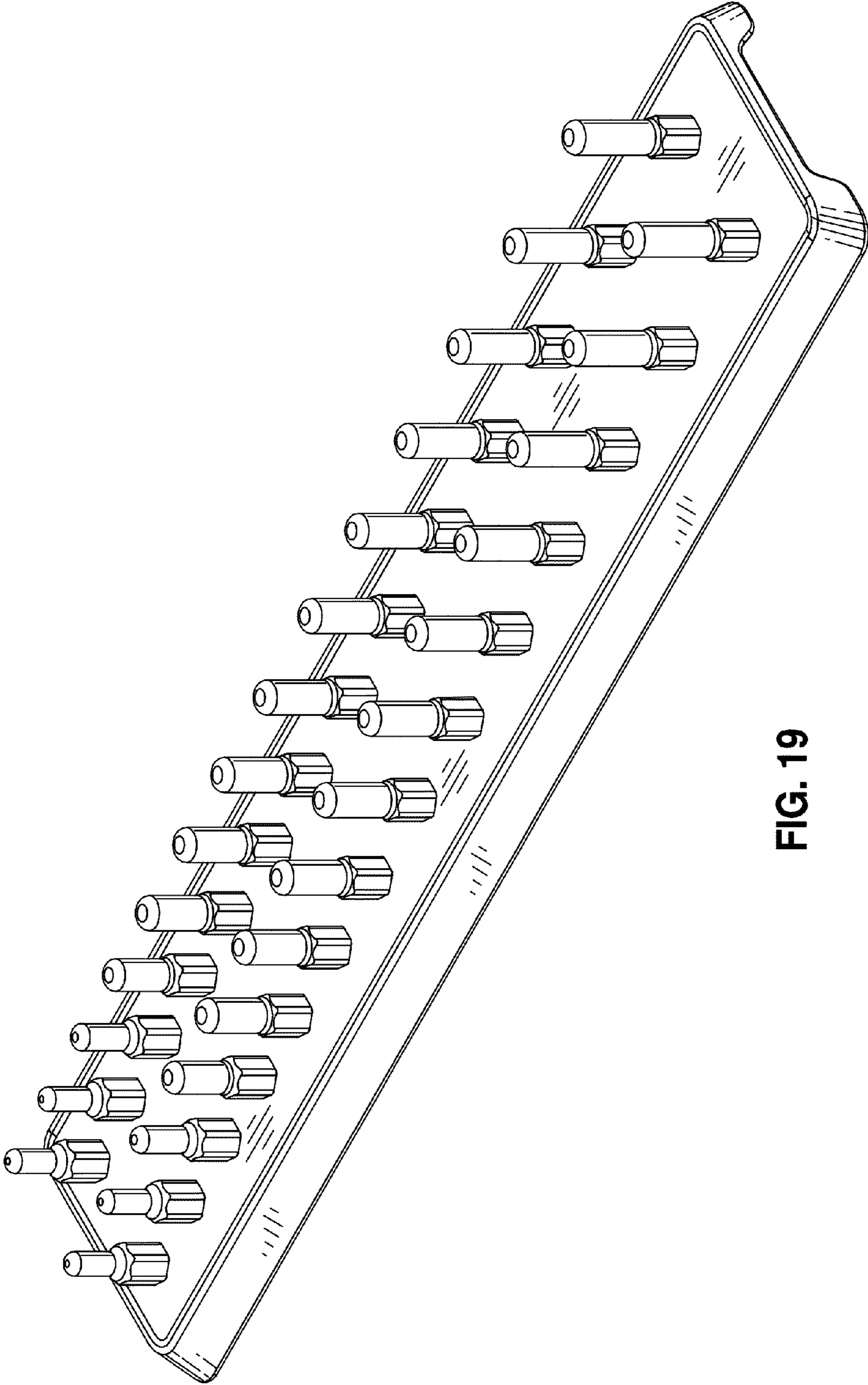


FIG. 19

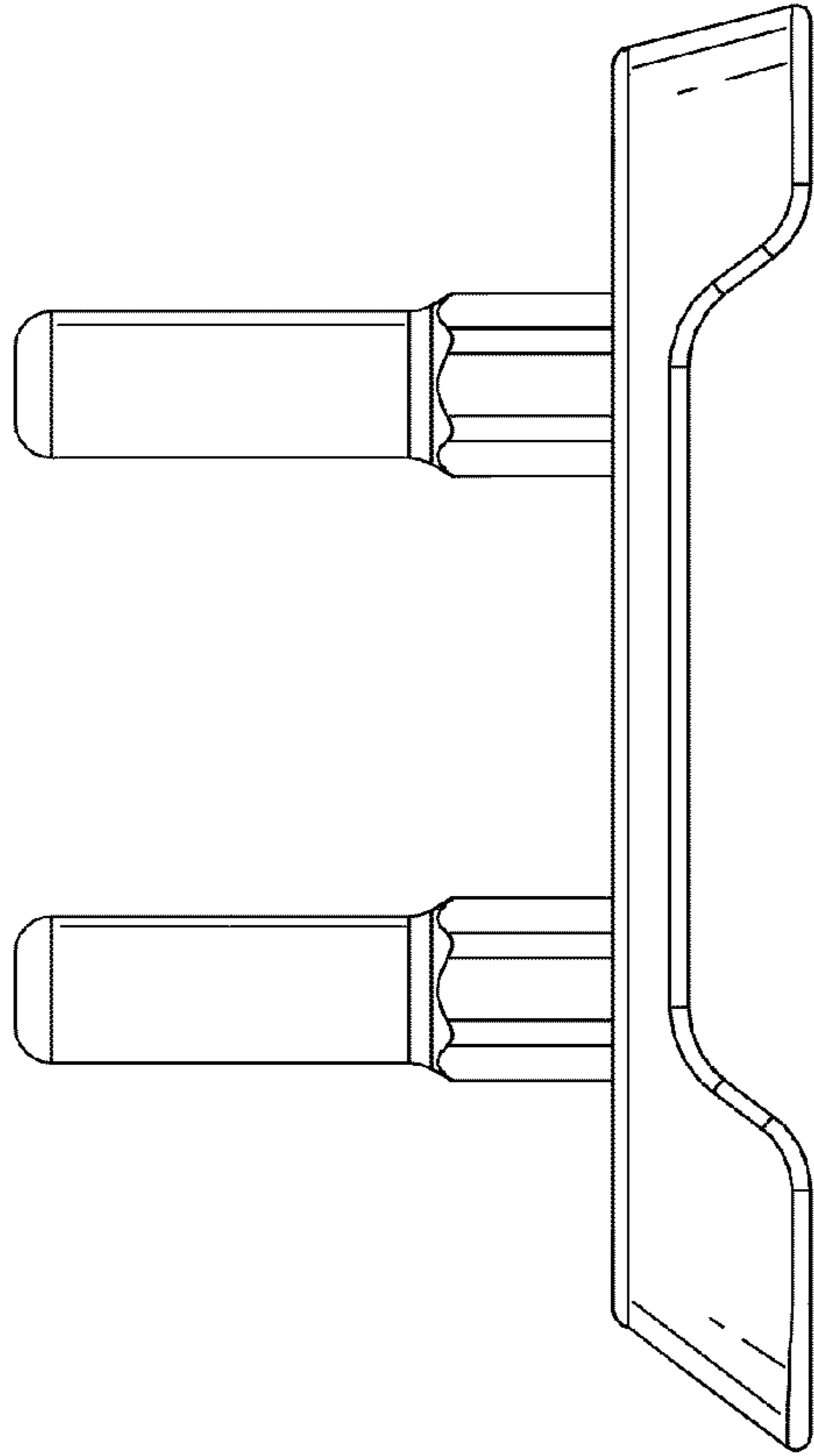


FIG. 21

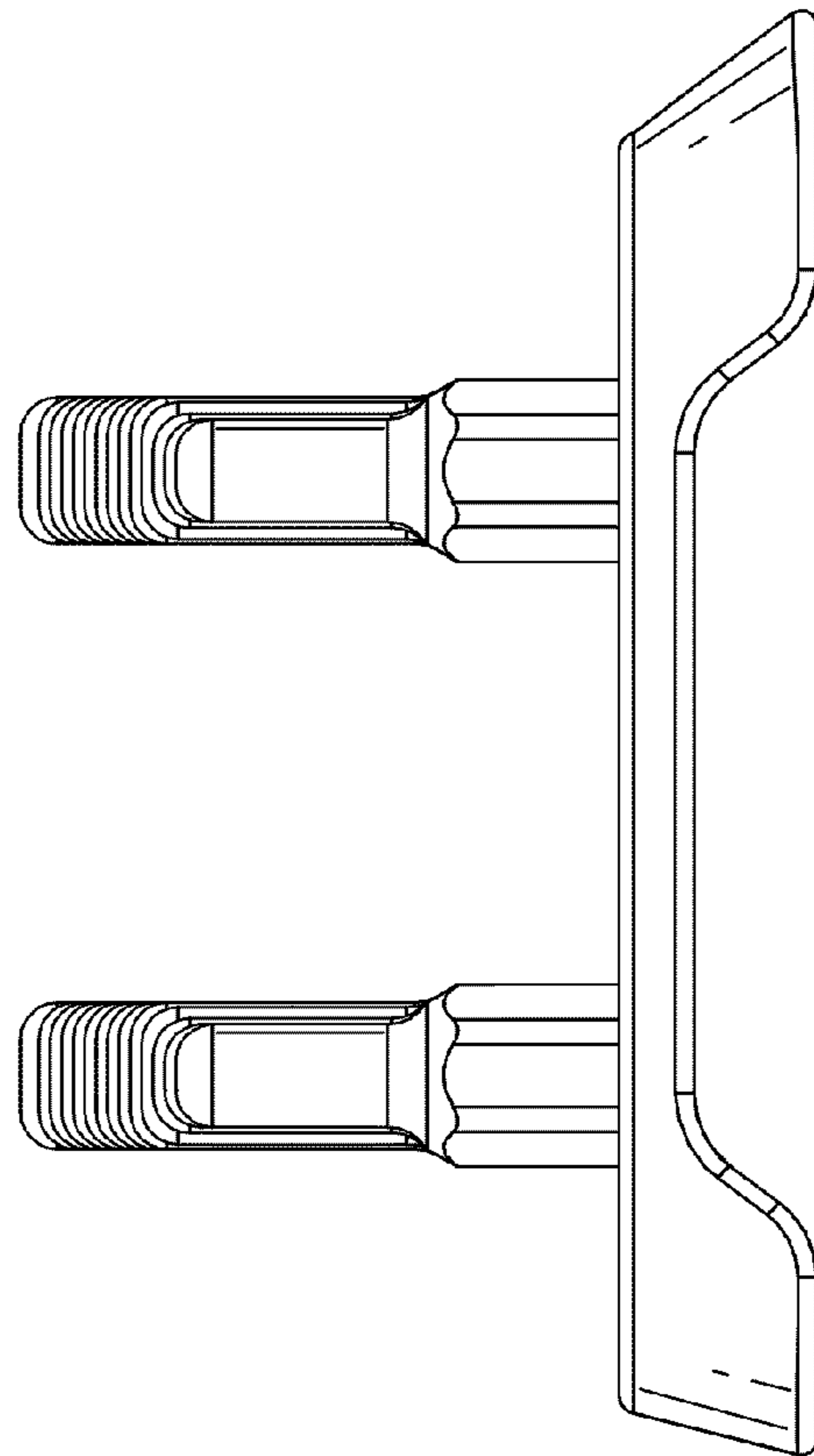


FIG. 20

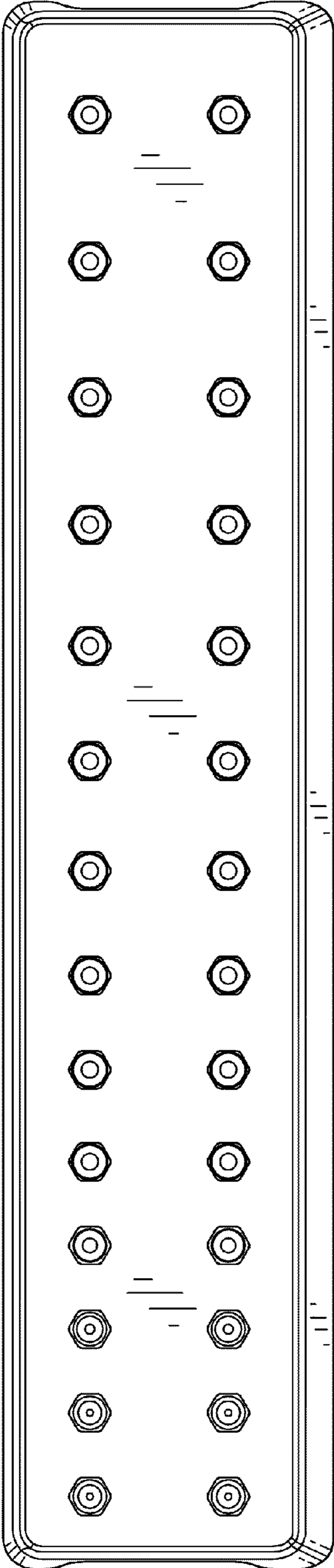


FIG. 22

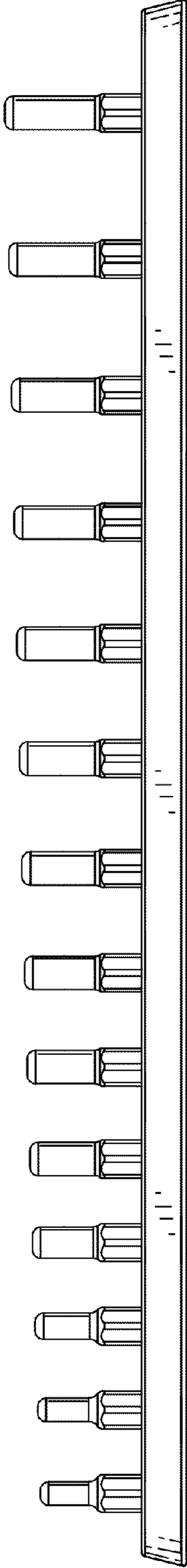


FIG. 23

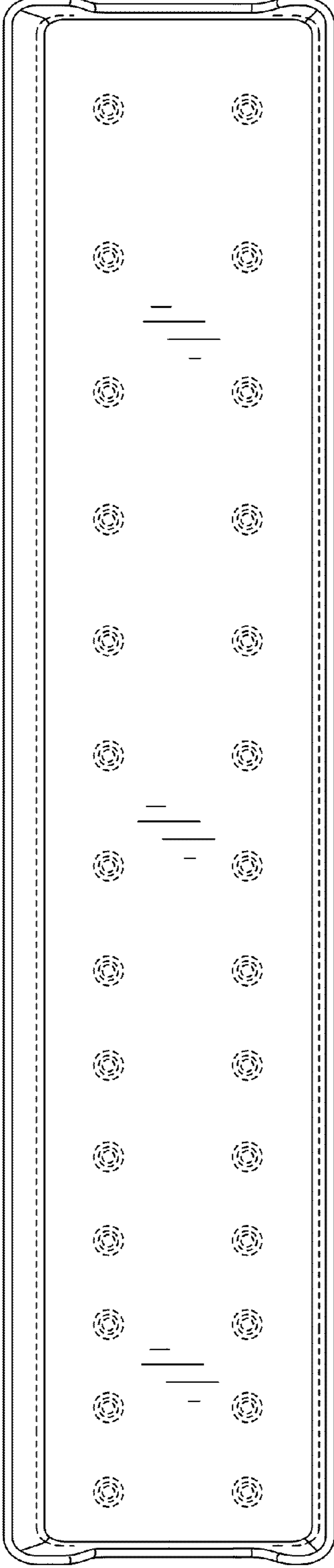


FIG. 24

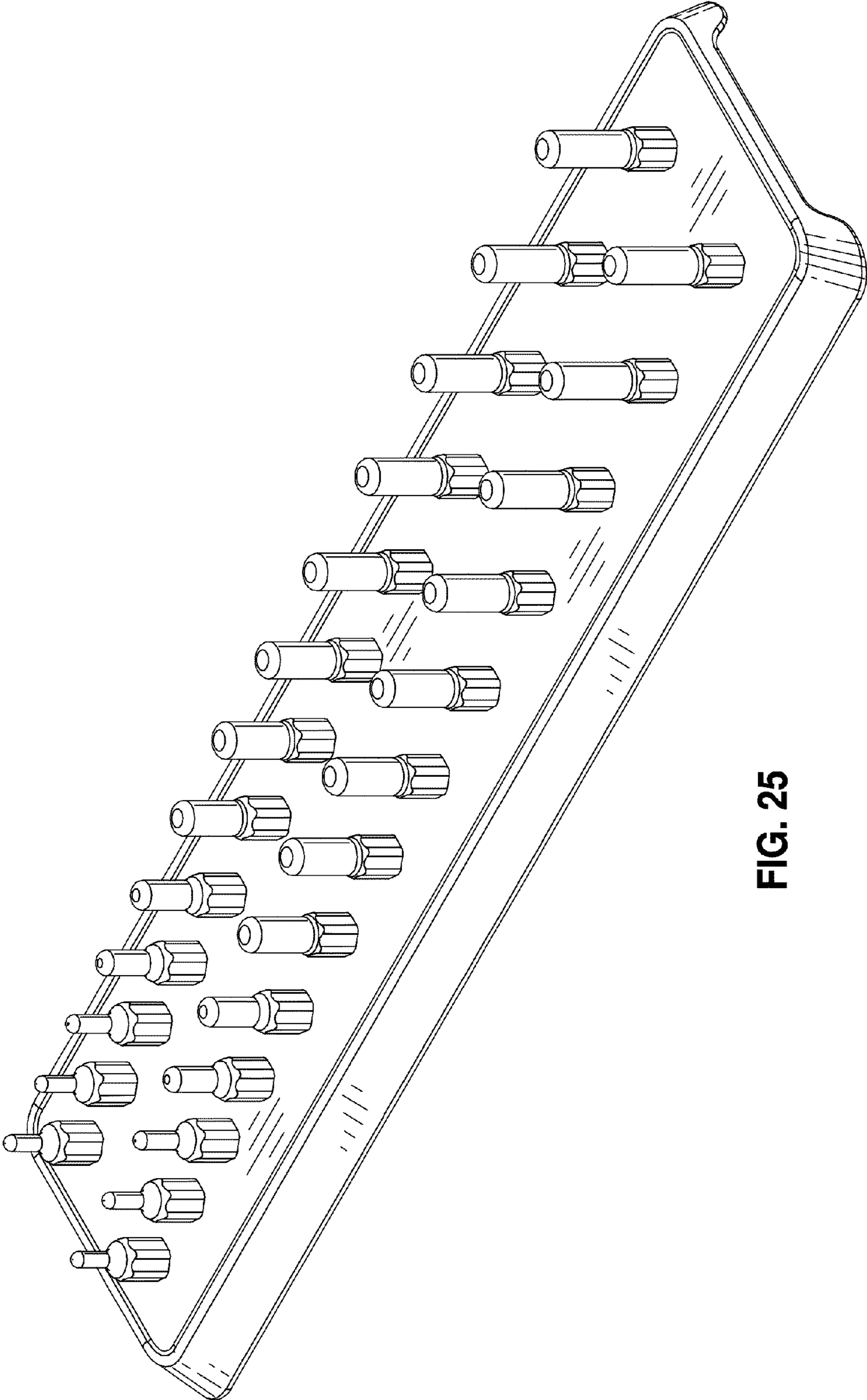


FIG. 25

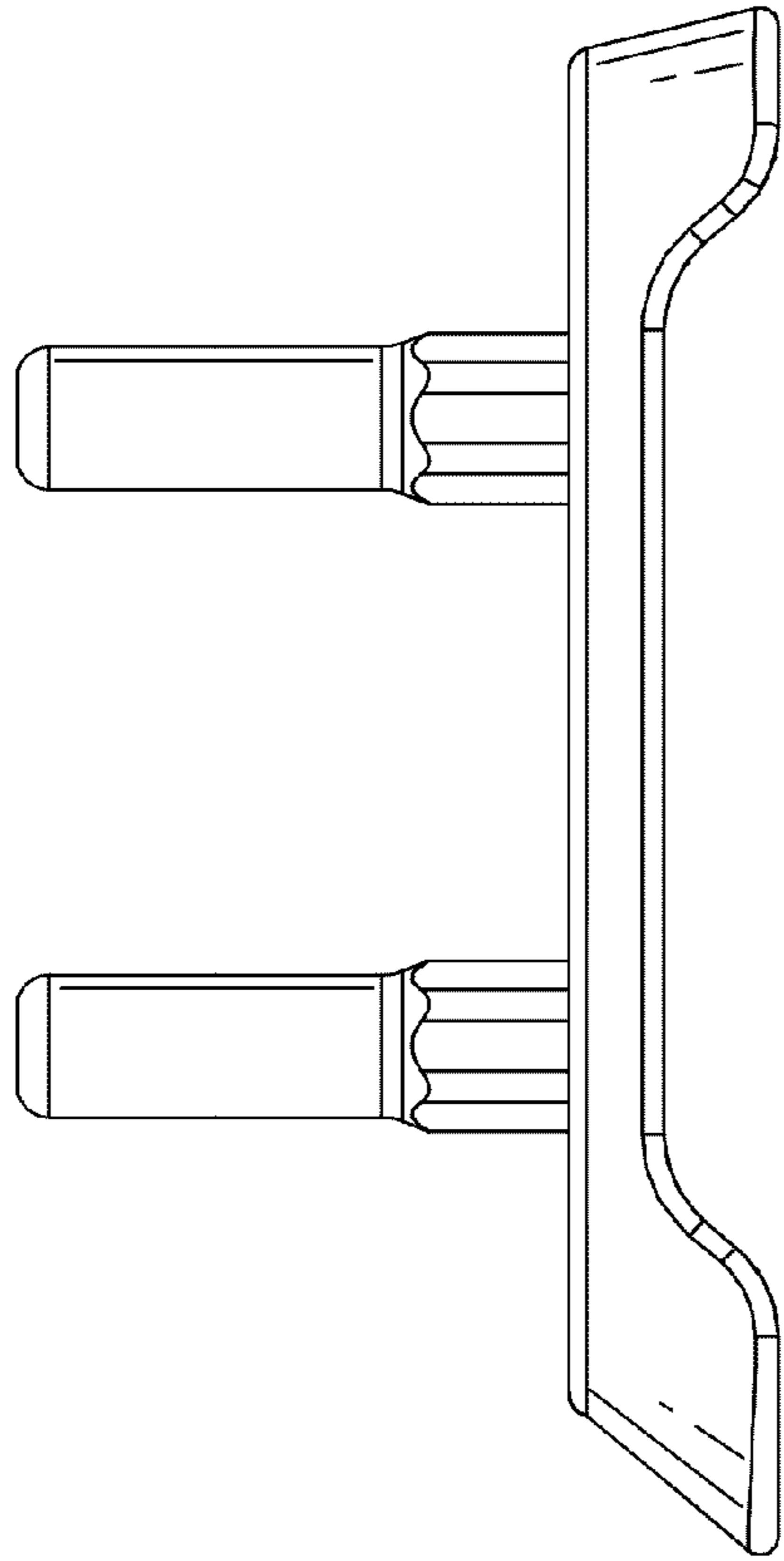


FIG. 27

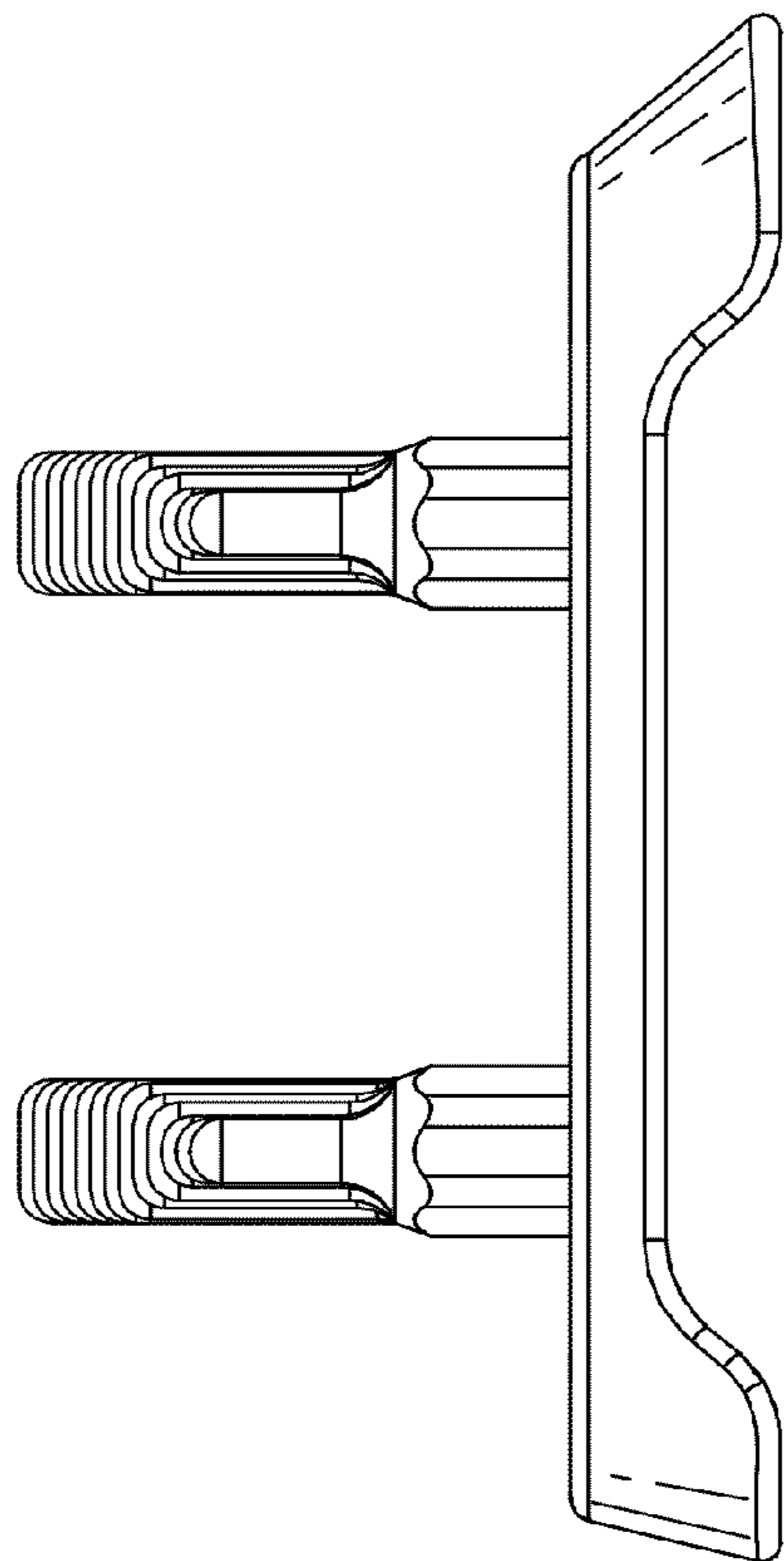


FIG. 26

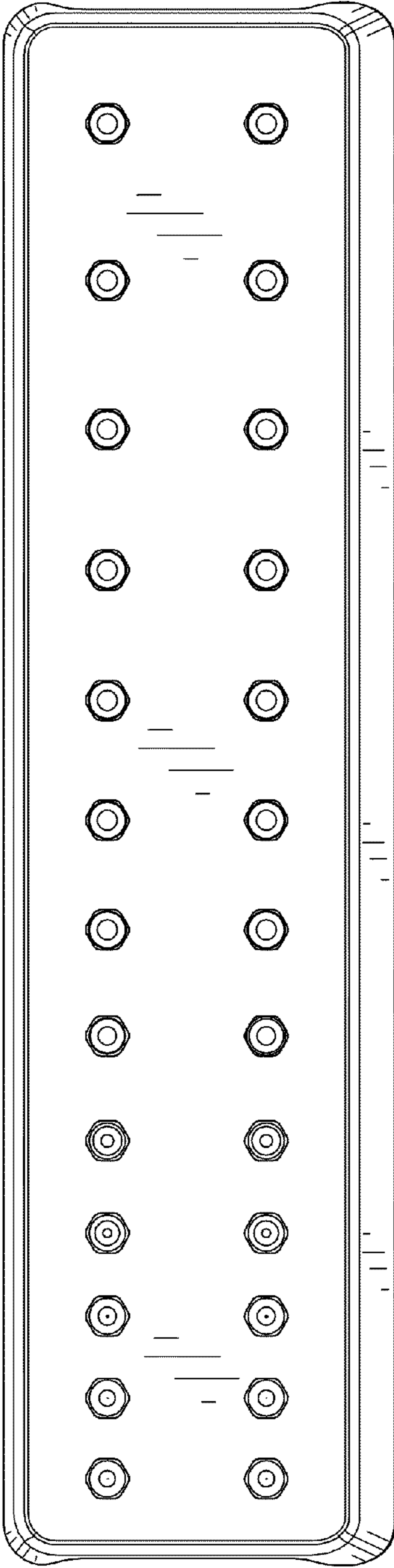


FIG. 28

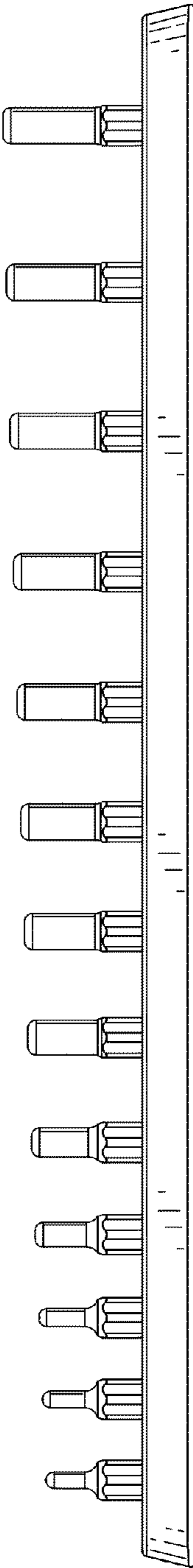


FIG. 29

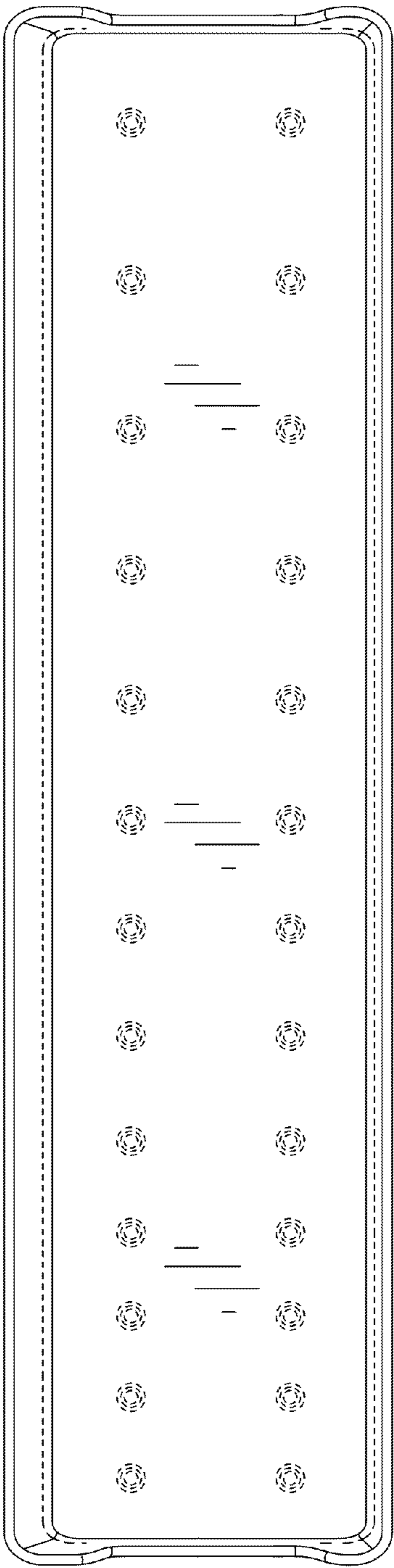


FIG. 30

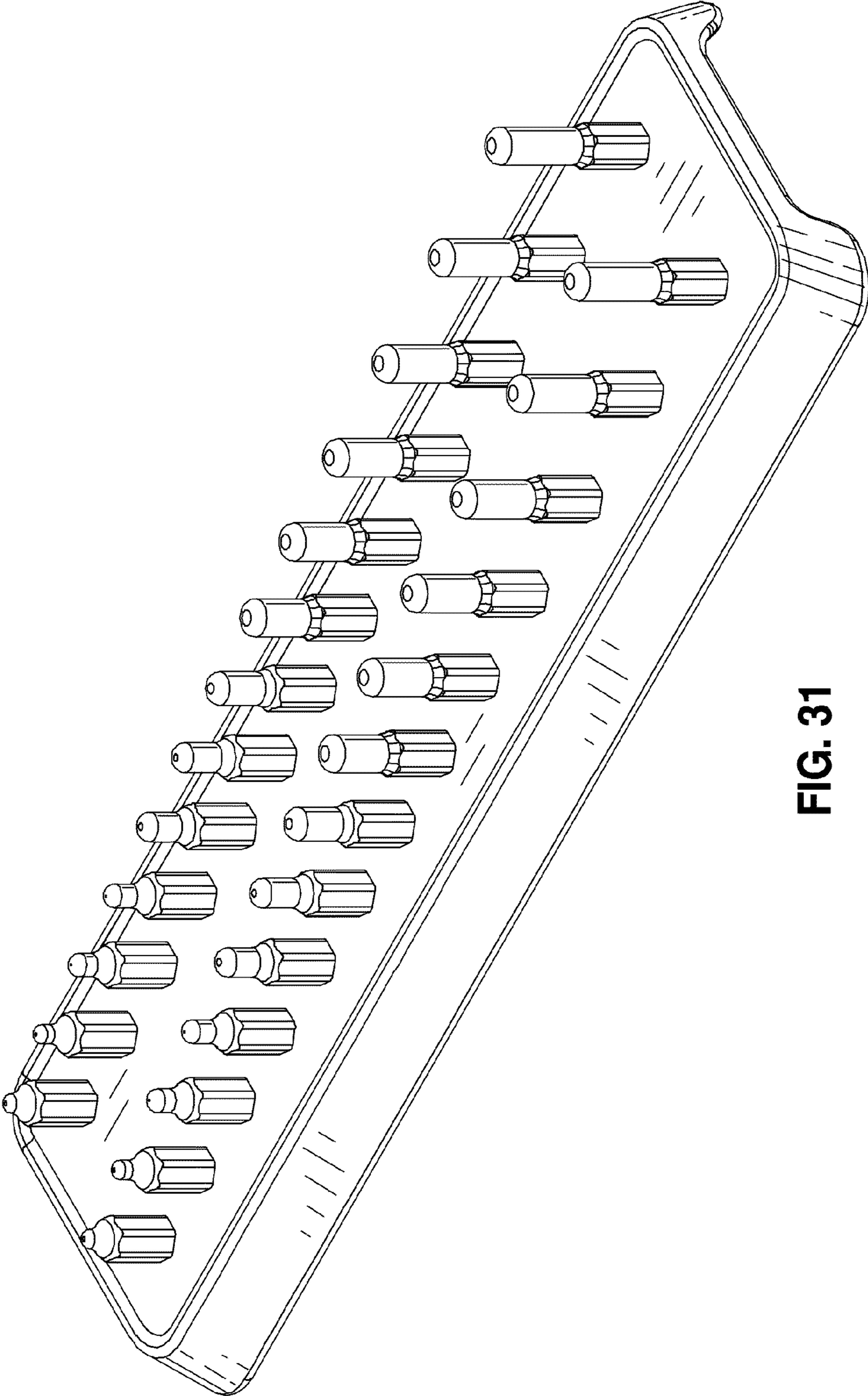


FIG. 31

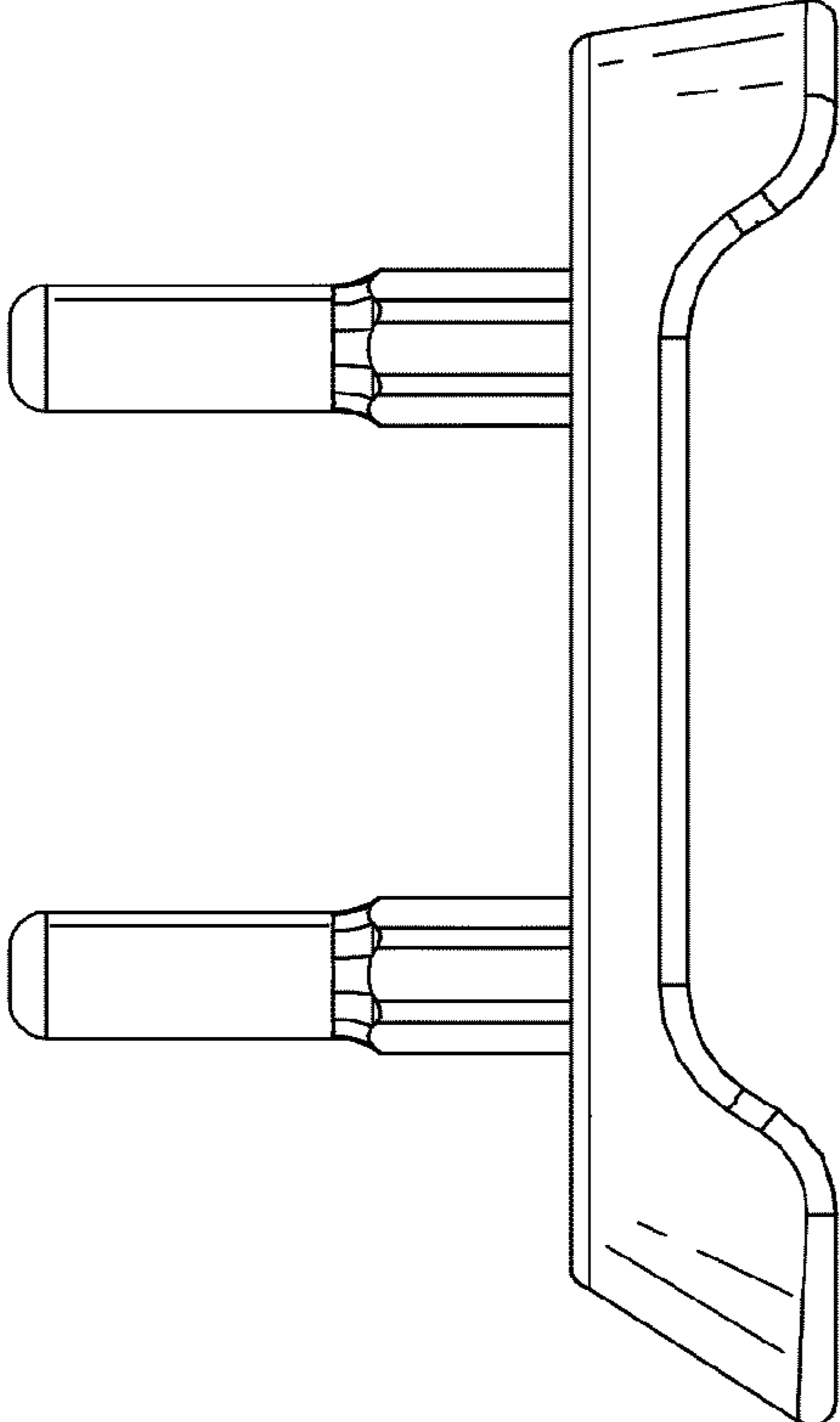


FIG. 33

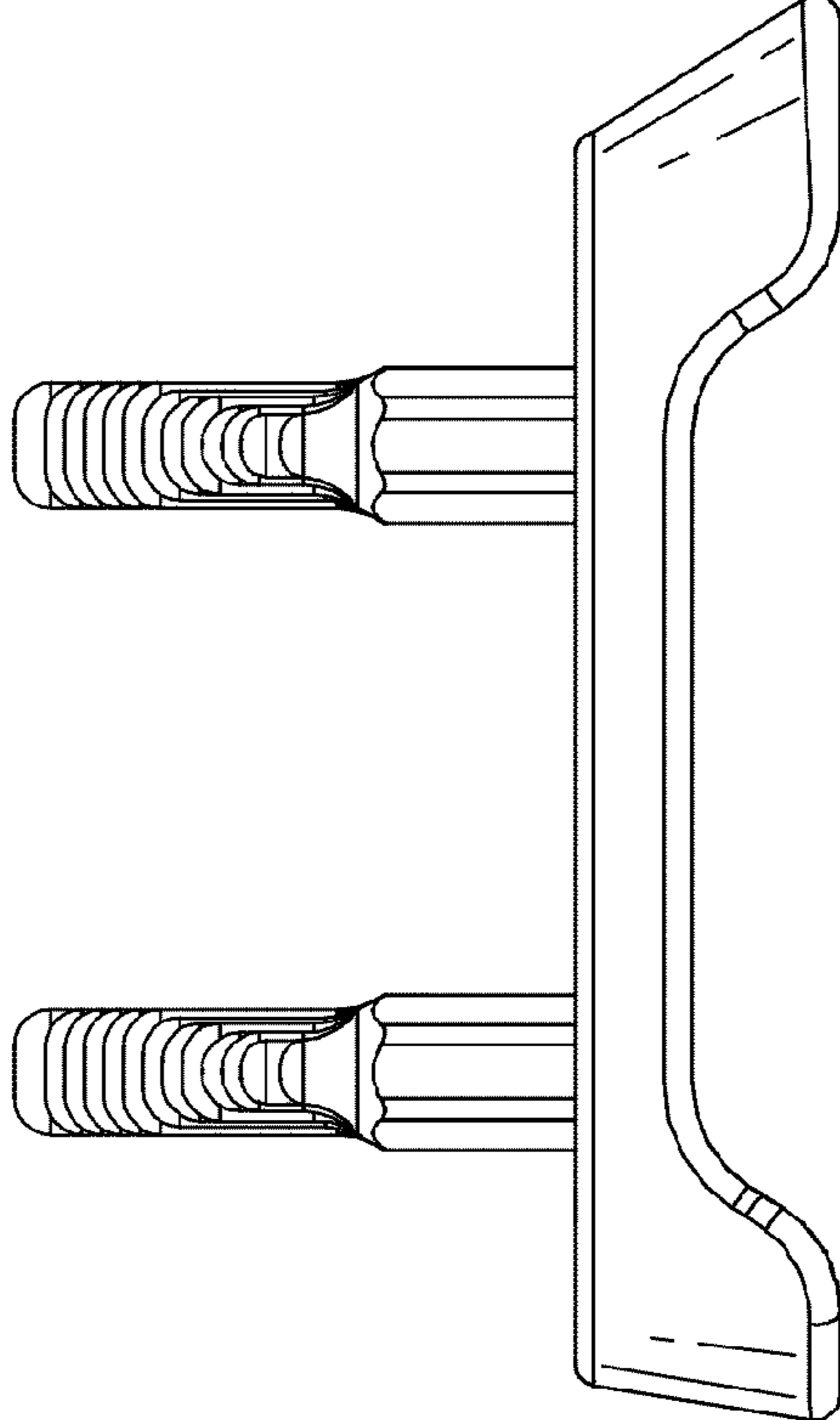


FIG. 32

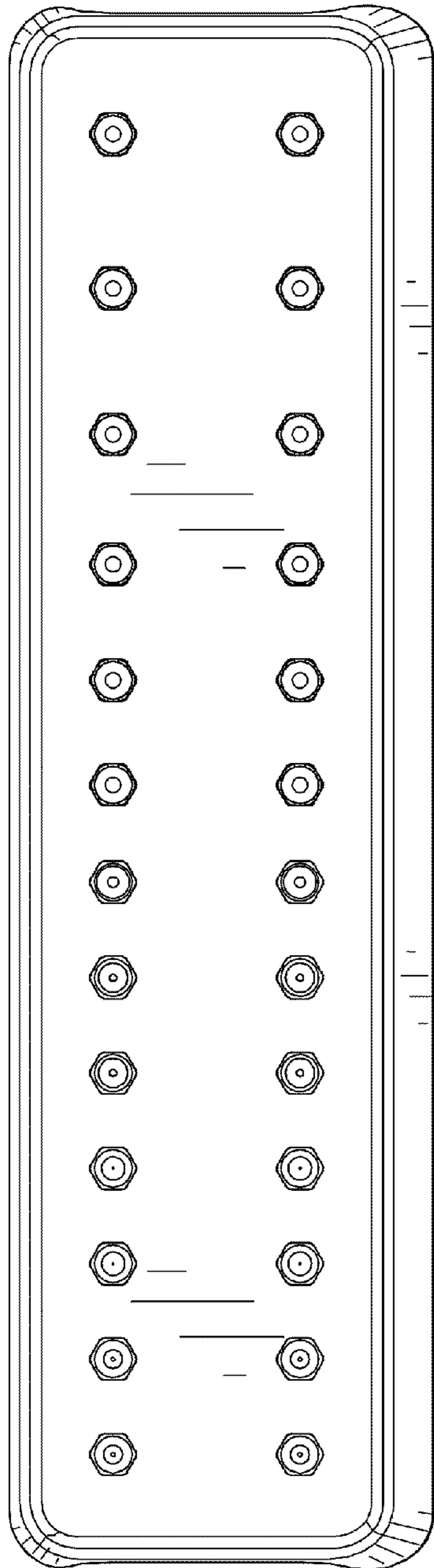


FIG. 34

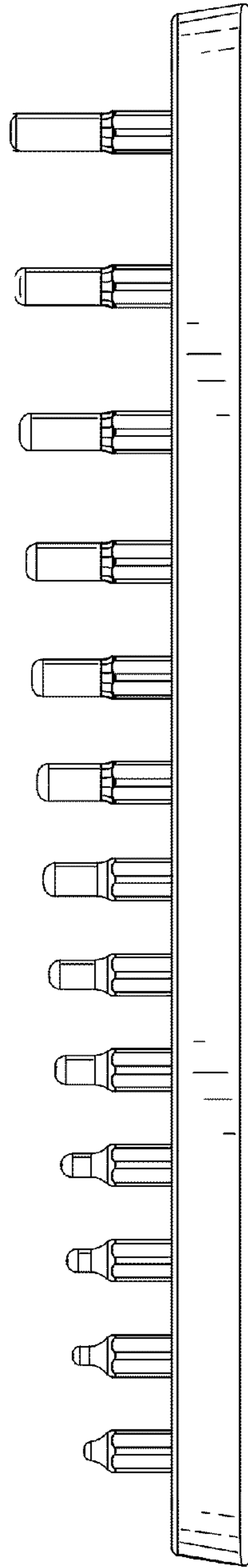


FIG. 35

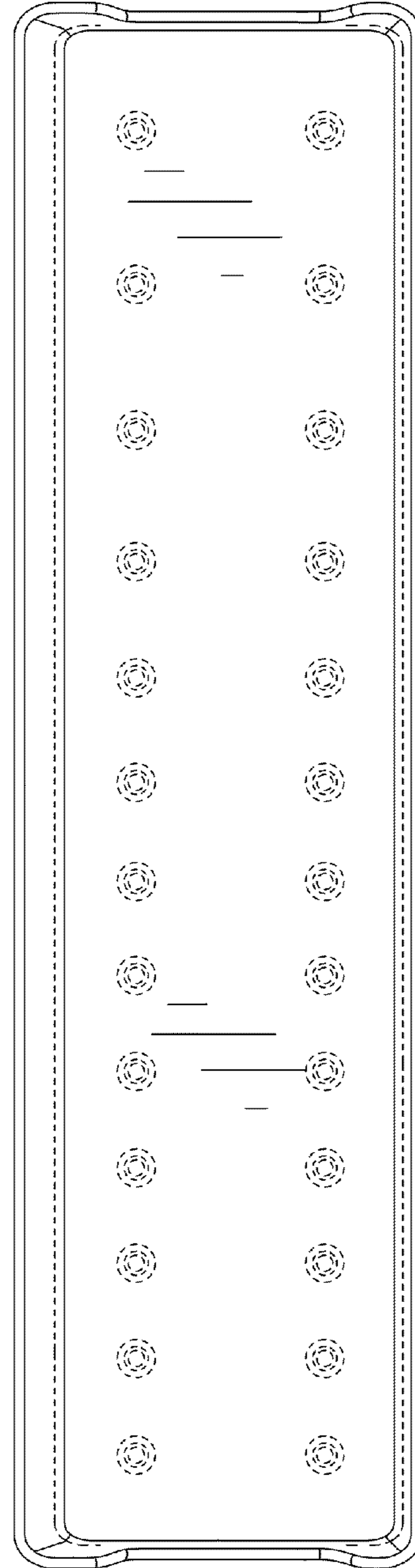


FIG. 36