



US00D714054S

(12) **United States Design Patent**  
**Kershenstein**

(10) **Patent No.:** **US D714,054 S**

(45) **Date of Patent:** **\*\* Sep. 30, 2014**

(54) **PHONE CASE**

(71) Applicant: **Timothy Kershenstein**, San Antonio,  
TX (US)

(72) Inventor: **Timothy Kershenstein**, San Antonio,  
TX (US)

(\*\*) Term: **14 Years**

(21) Appl. No.: **29/462,655**

(22) Filed: **Aug. 6, 2013**

(51) **LOC (10) Cl.** ..... **03-01**

(52) **U.S. Cl.**  
USPC ..... **D3/269**

(58) **Field of Classification Search**  
USPC ..... D3/201, 218, 269, 273, 294, 300, 303,  
D3/287, 283, 289, 274; D14/217, 432,  
D14/250, 247; 206/320, 576, 214;  
455/575.8; 190/109, 110, 111, 900,  
190/902

See application file for complete search history.

(56) **References Cited**

**U.S. PATENT DOCUMENTS**

D559,532 S *	1/2008	Kwak et al.	.....	D3/218
7,387,209 B2 *	6/2008	Ko et al.	.....	206/579
D574,819 S *	8/2008	Andre et al.	.....	D3/269
D582,405 S *	12/2008	Andre et al.	.....	D3/299
D615,299 S *	5/2010	Agarwal et al.	.....	D3/269
8,073,131 B2 *	12/2011	Bodkin et al.	.....	379/406.01
D652,829 S *	1/2012	Kim et al.	.....	D14/250
D654,263 S *	2/2012	Mahmood et al.	.....	D3/201
D657,354 S *	4/2012	Kim	.....	D14/250
D674,592 S *	1/2013	Basmaji	.....	D3/218
D677,888 S *	3/2013	Sogabe	.....	D3/269

D678,260 S *	3/2013	Bau	.....	D14/250
D683,960 S *	6/2013	Robbins et al.	.....	D3/269
D684,362 S *	6/2013	Robbins et al.	.....	D3/269
D697,709 S *	1/2014	Klusener	.....	D3/218
D700,599 S *	3/2014	Kim	.....	D14/250
D700,778 S *	3/2014	To et al.	.....	D3/294
D704,182 S *	5/2014	Smith	.....	D14/250
2009/0314400 A1 *	12/2009	Liu	.....	150/165
2011/0290687 A1 *	12/2011	Han	.....	206/320

\* cited by examiner

*Primary Examiner* — Cynthia Ramirez

(74) *Attorney, Agent, or Firm* — Superior IP, PLLC; Dustin L. Call

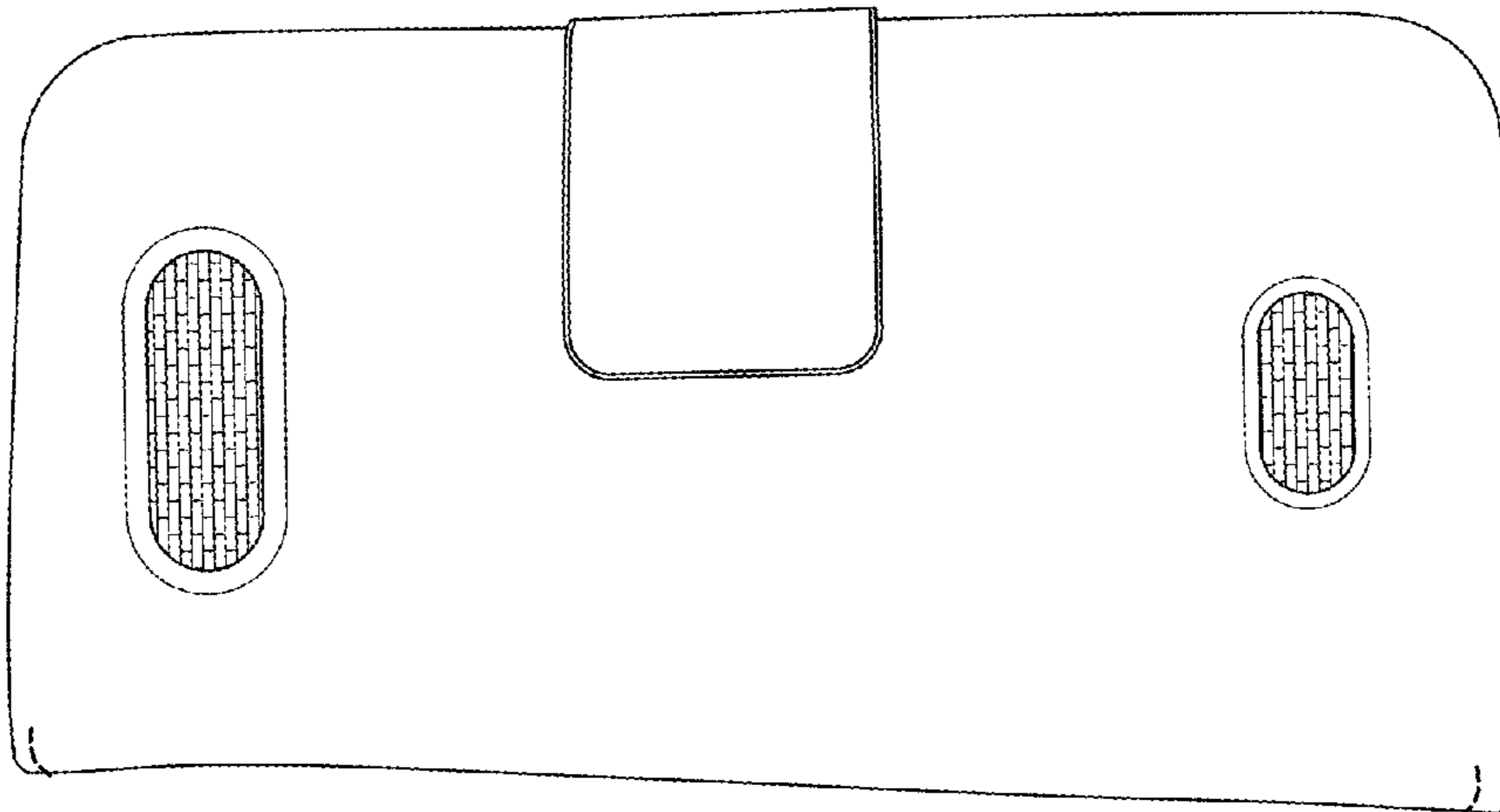
(57) **CLAIM**

The ornamental design for a phone case, as shown and described.

**DESCRIPTION**

FIG. 1 is front view of the closed phone case;  
 FIG. 2 is a rear view of the closed phone case;  
 FIG. 3 is a top view of the closed phone case;  
 FIG. 4 is a left side view of the closed phone case;  
 FIG. 5 is a bottom view of the closed phone case;  
 FIG. 6 is a right side view of the closed phone case;  
 FIG. 7 is a perspective front view of the phone case opened;  
 and,  
 FIG. 8 is a perspective side view of the phone case opened.  
 The hatch lines showing mesh in the drawings form part of the claimed design.  
 The dash lines showing stitching in the drawings form part of the claimed design.  
 The dash-dot lines showing environment in the drawings are included for illustrative purposes only and form no part of the claimed design.

**1 Claim, 4 Drawing Sheets**



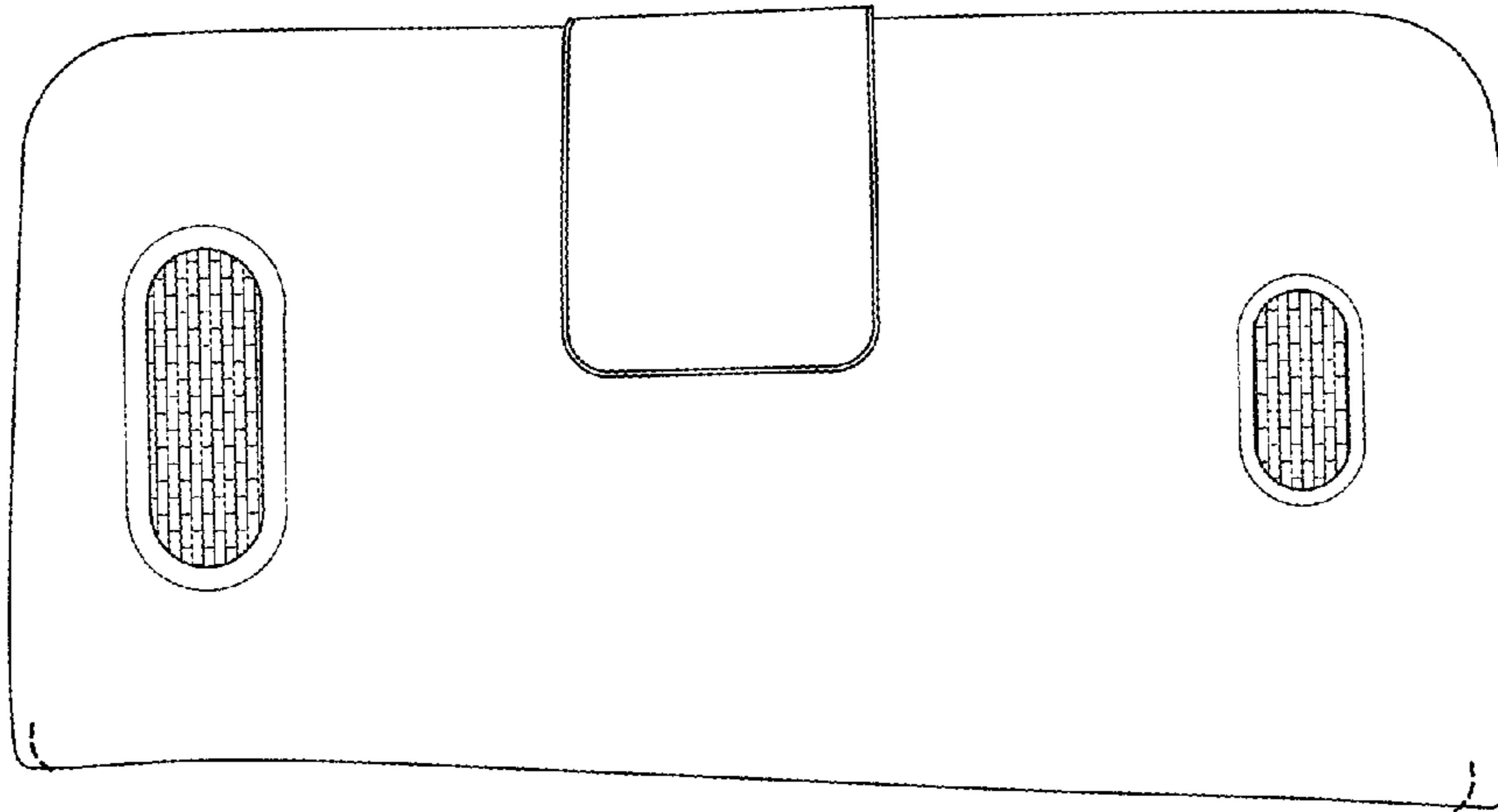


FIG. 1

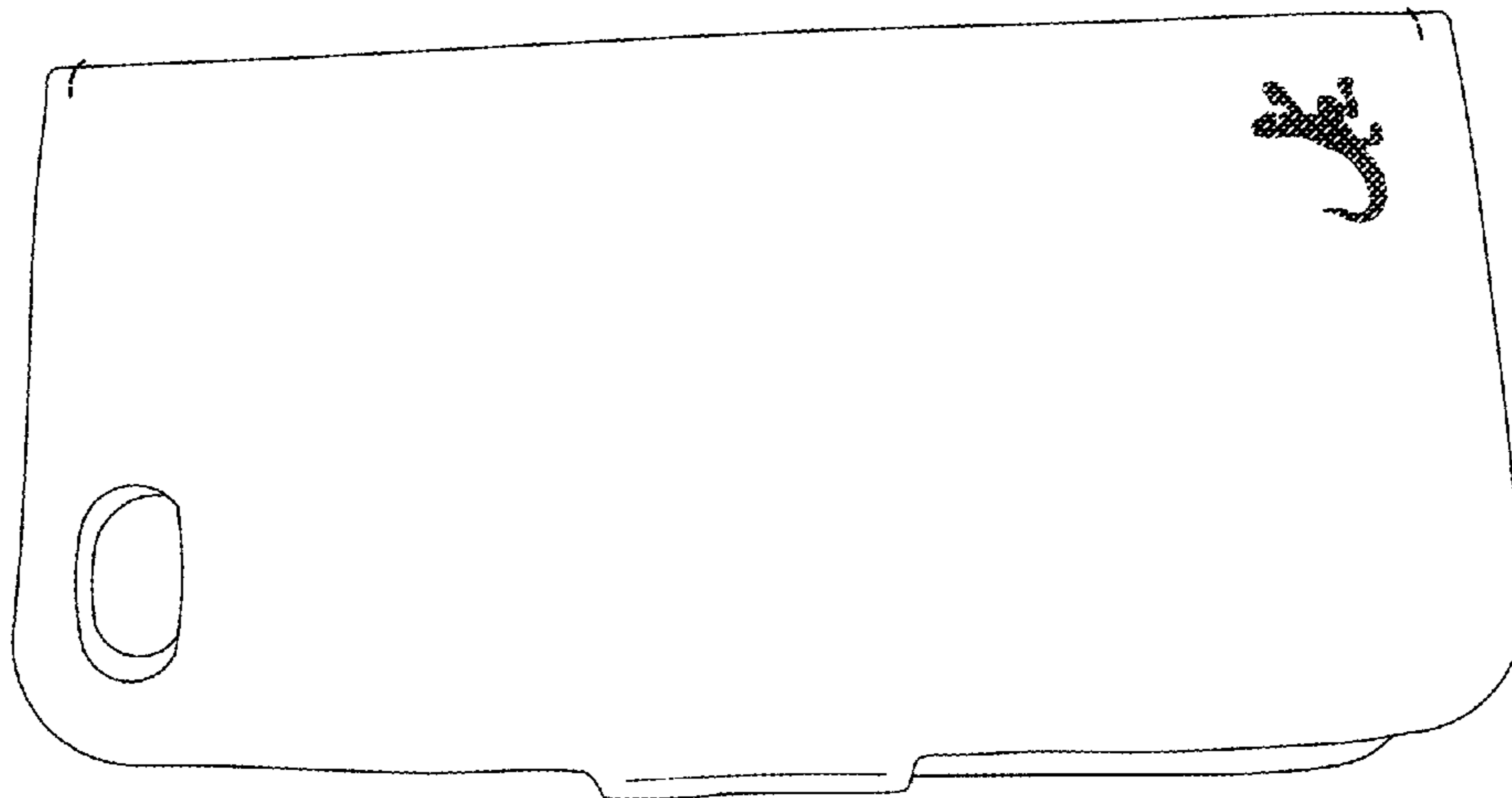


FIG. 2

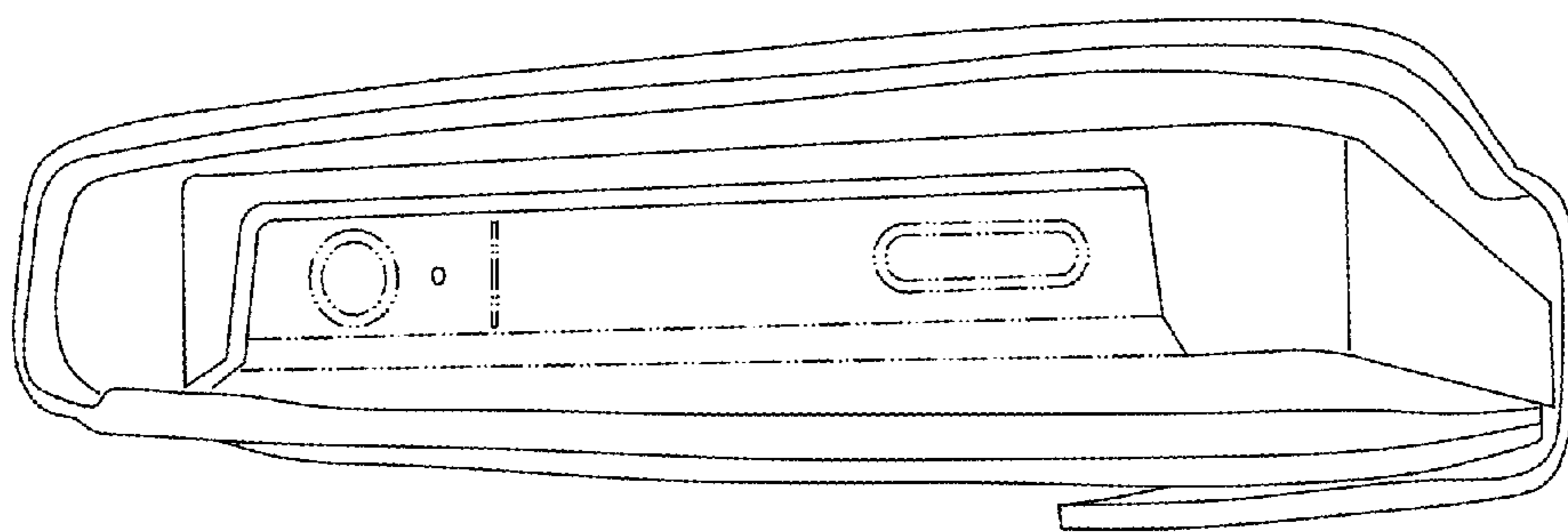


FIG. 3

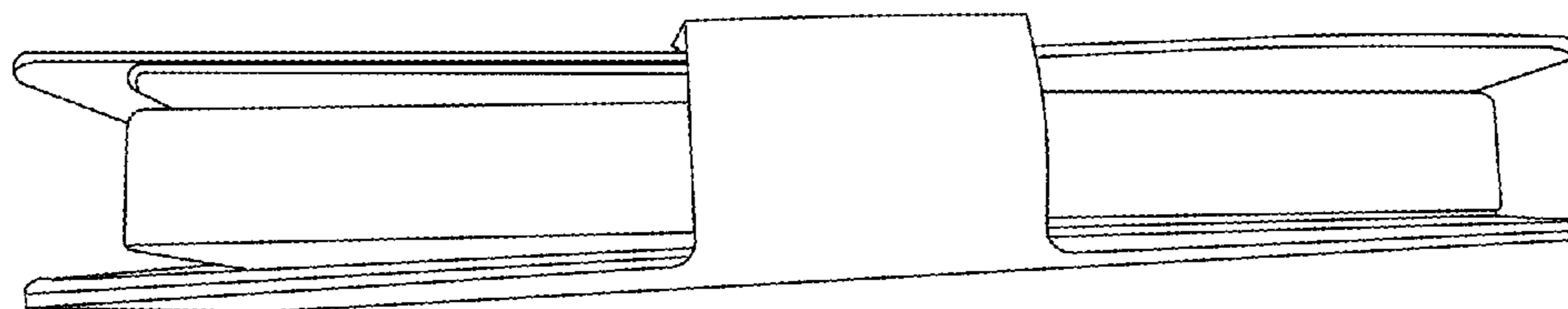


FIG. 4

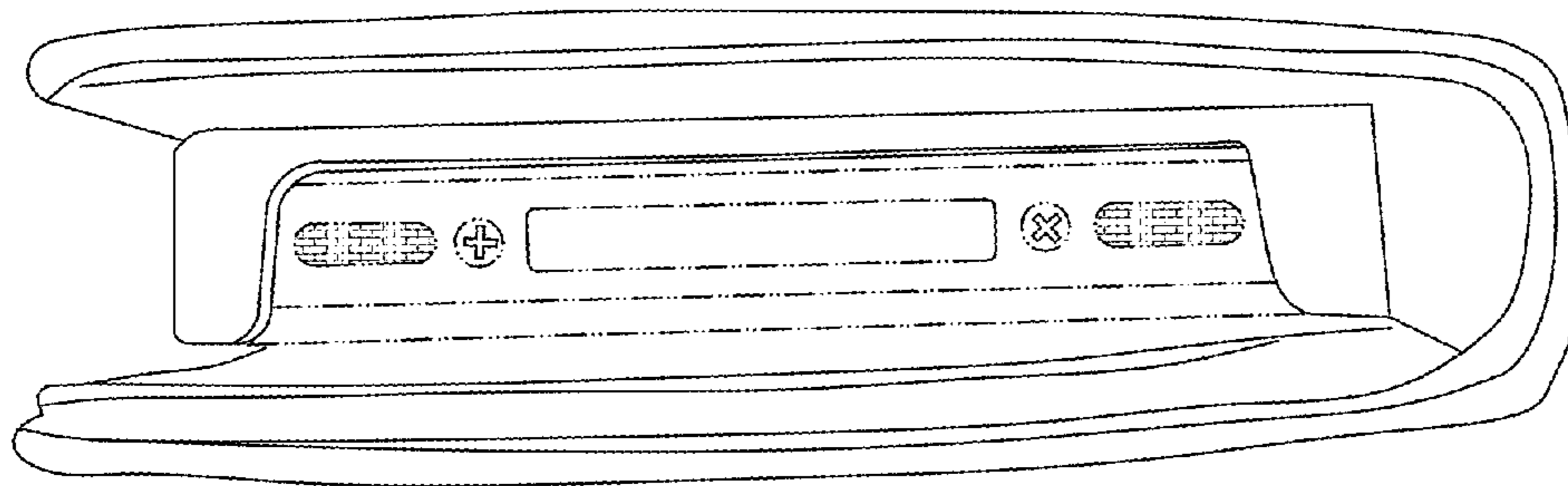


FIG. 5

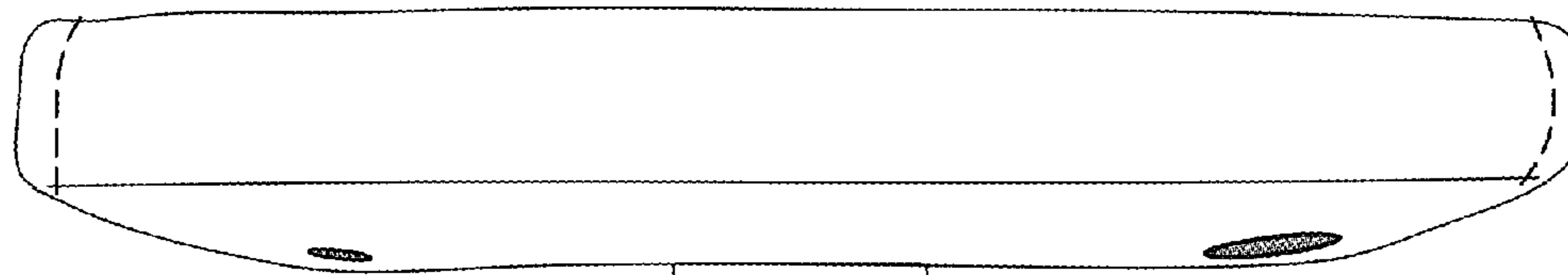


FIG. 6

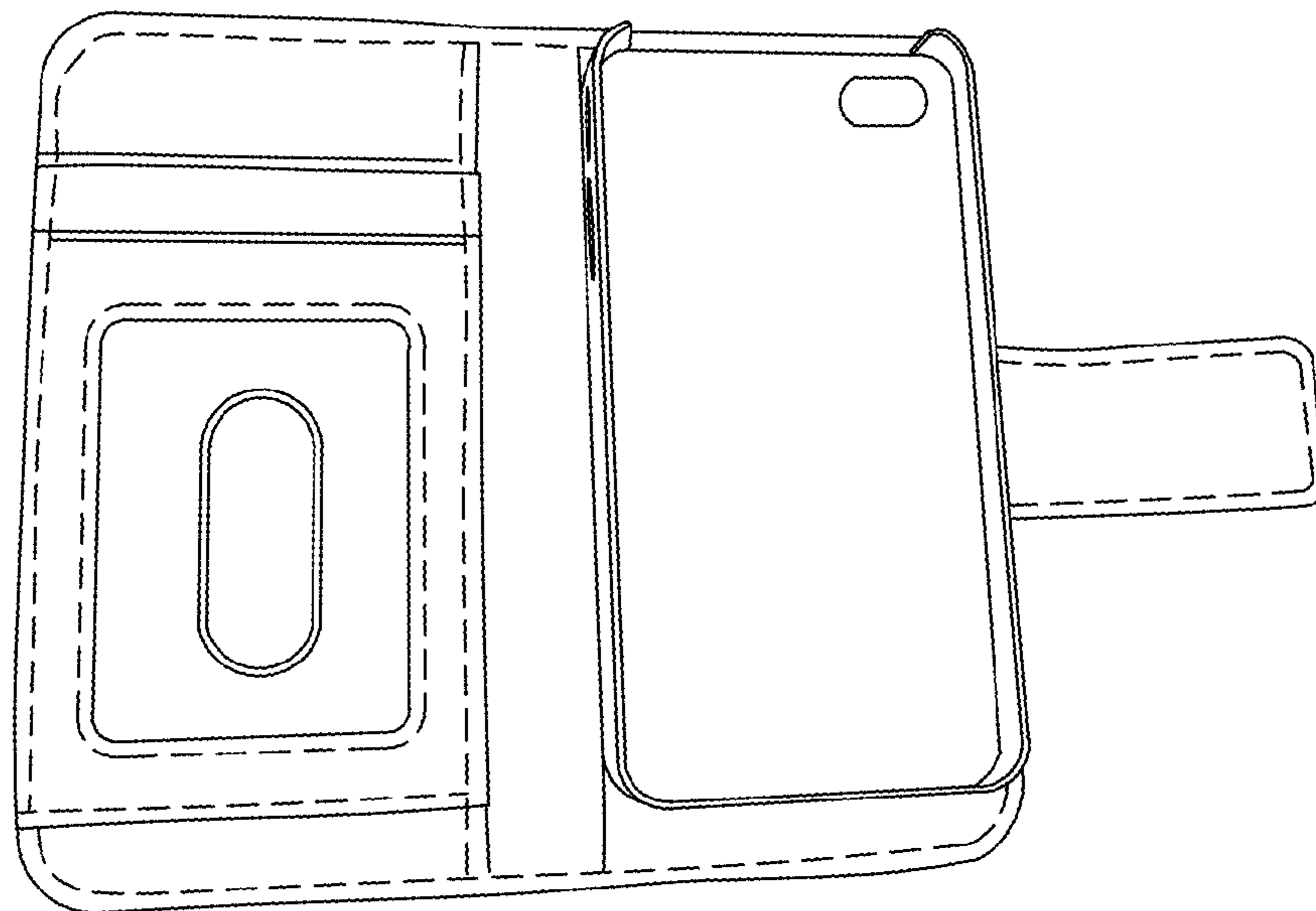


FIG. 7

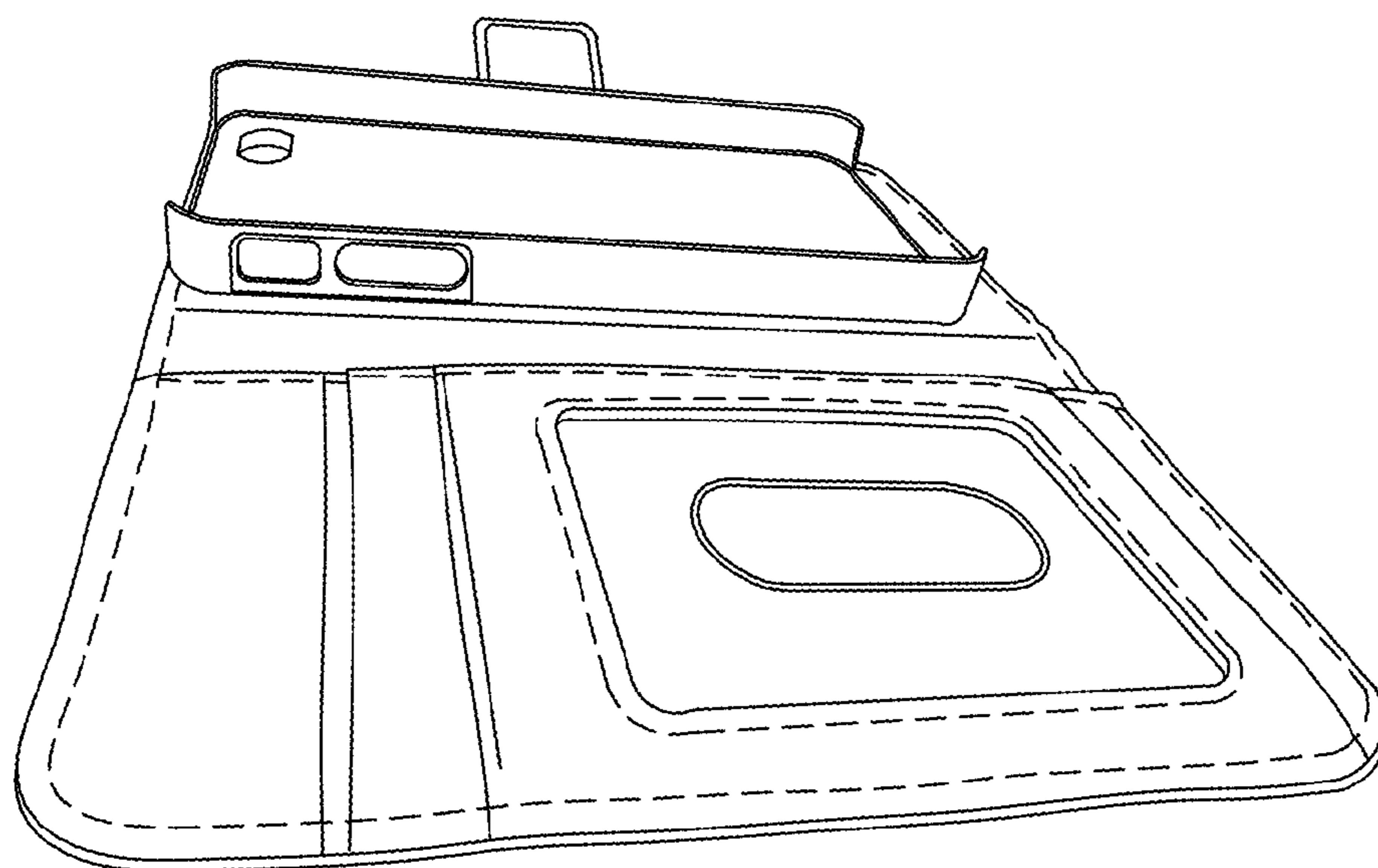


FIG. 8