



US00D714052S

(12) **United States Design Patent**
Priebe et al.

(10) **Patent No.:** **US D714,052 S**

(45) **Date of Patent:** **** Sep. 30, 2014**

(54) **CONTACT LENS CASE**

(75) Inventors: **Robert N. Priebe**, Bloomington, MN (US); **Eric Bombardt**, Inver Grove Heights, MN (US); **Candice Thomas**, Lakeville, MN (US)

(73) Assignee: **Apothecary Products, LLC**, Burnsville, MN (US)

(**) Term: **14 Years**

(21) Appl. No.: **29/414,548**

(22) Filed: **Feb. 29, 2012**

(51) **LOC (10) Cl.** **03-01**

(52) **U.S. Cl.**
USPC **D3/264**

(58) **Field of Classification Search**
USPC D3/219, 252, 263, 264, 265; 206/5, 5.1, 206/6

See application file for complete search history.

(56) **References Cited**

U.S. PATENT DOCUMENTS

3,005,282	A	10/1961	Christiansen	
D208,166	S *	7/1967	Hueber	D3/264
D239,413	S *	3/1976	Hoogesteger	D3/264
4,011,829	A	3/1977	Wachsmann et al.	
4,392,569	A *	7/1983	Shoup	206/5.1
D285,744	S *	9/1986	Vinot	D3/264
D289,923	S *	5/1987	Hoogesteger	D24/218
D358,477	S *	5/1995	De Meo	D3/264
5,433,314	A *	7/1995	Lin	206/5.1
5,452,792	A	9/1995	Zautke et al.	
6,679,373	B1	1/2004	Clevenger	
D498,590	S *	11/2004	Borovsky	D3/264
6,868,963	B2 *	3/2005	Borovsky	206/5.1
D512,565	S *	12/2005	Sasso	D3/264
D551,448	S *	9/2007	Stull	D3/264
7,628,269	B2 *	12/2009	O'Hara et al.	206/5.1
7,661,383	B2	2/2010	Song	
7,832,551	B2 *	11/2010	Newman et al.	206/5.1

8,550,238	B2 *	10/2013	Josephson et al.	206/5.1
2004/0140229	A1 *	7/2004	Borovsky	206/5.1
2005/0087455	A1 *	4/2005	Mahieu et al.	206/216
2005/0109638	A1 *	5/2005	Eastman	206/5.1
2006/0011496	A1 *	1/2006	Mangabeira Nunez	206/5.1
2006/0102496	A1 *	5/2006	Christy et al.	206/5.1
2007/0261970	A1	11/2007	Stull	
2008/0179200	A1 *	7/2008	O'Hara et al.	206/5.1
2010/0122917	A1 *	5/2010	Azera	206/5.1
2012/0000798	A1	1/2012	Thompson et al.	
2013/0220840	A1 *	8/2013	Priebe et al.	206/5.1
2013/0220851	A1 *	8/2013	Priebe et al.	206/234

OTHER PUBLICATIONS

“Pictures from ikeeps icases,” dated prior to Feb. 29, 2012.

* cited by examiner

Primary Examiner — T. Chase Nelson

(74) *Attorney, Agent, or Firm* — Merchant & Gould P.C.

(57) **CLAIM**

The ornamental design for a contact lens case, as shown and described.

DESCRIPTION

FIG. 1 is a perspective view of a contact lens case, the structure shown in broken lines forming no part of the claimed design;

FIG. 2 is a front view thereof, the structure shown in broken lines forming no part of the claimed design;

FIG. 3 is a rear view thereof, the structure shown in broken lines forming no part of the claimed design;

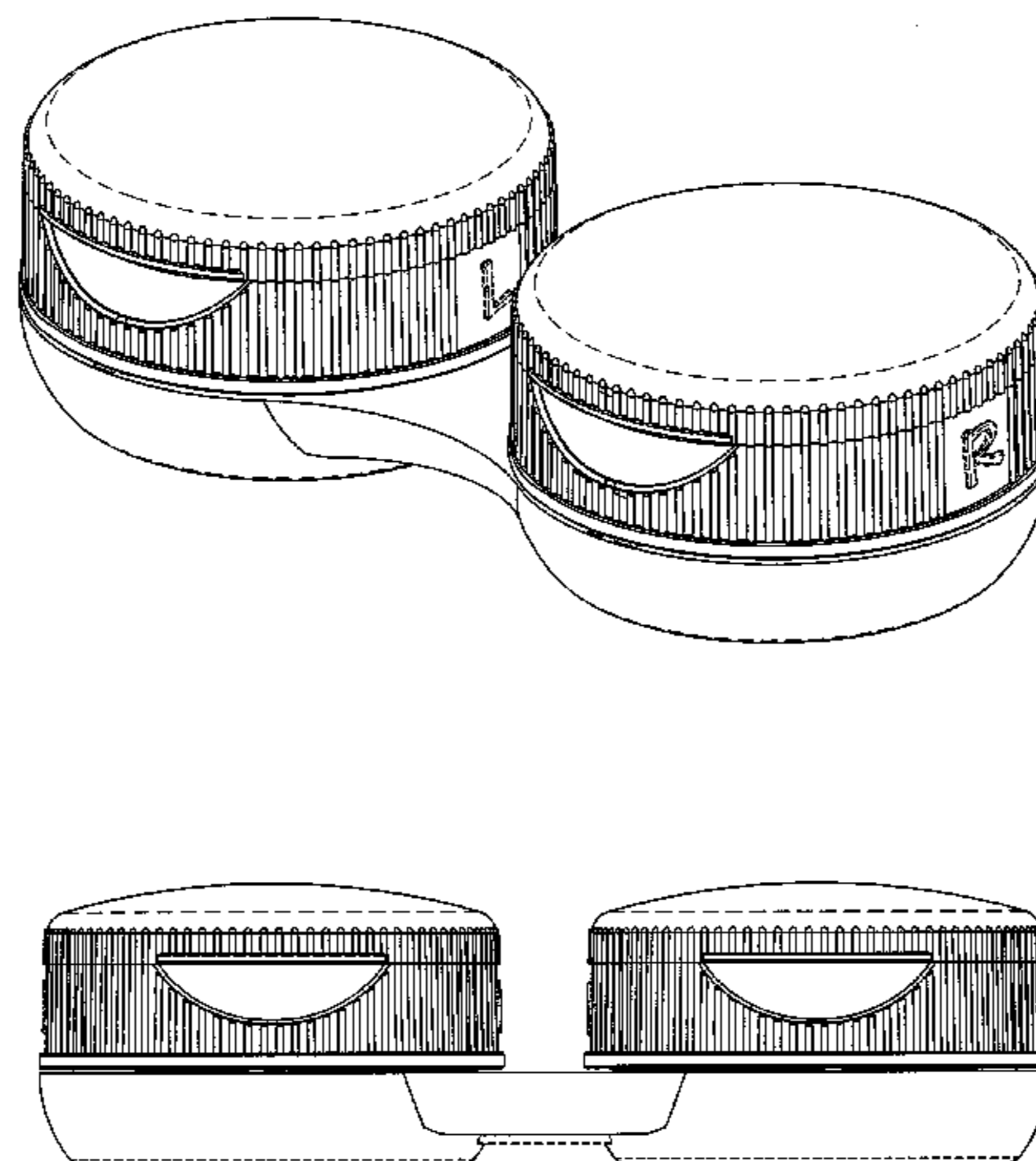
FIG. 4 is a right side view thereof, the structure shown in broken lines forming no part of the claimed design;

FIG. 5 is a left side view thereof, the structure shown in broken lines forming no part of the claimed design;

FIG. 6 is a top view thereof, the structure shown in broken lines forming no part of the claimed design; and,

FIG. 7 is a bottom view thereof, the structure shown in broken lines forming no part of the claimed design.

1 Claim, 5 Drawing Sheets



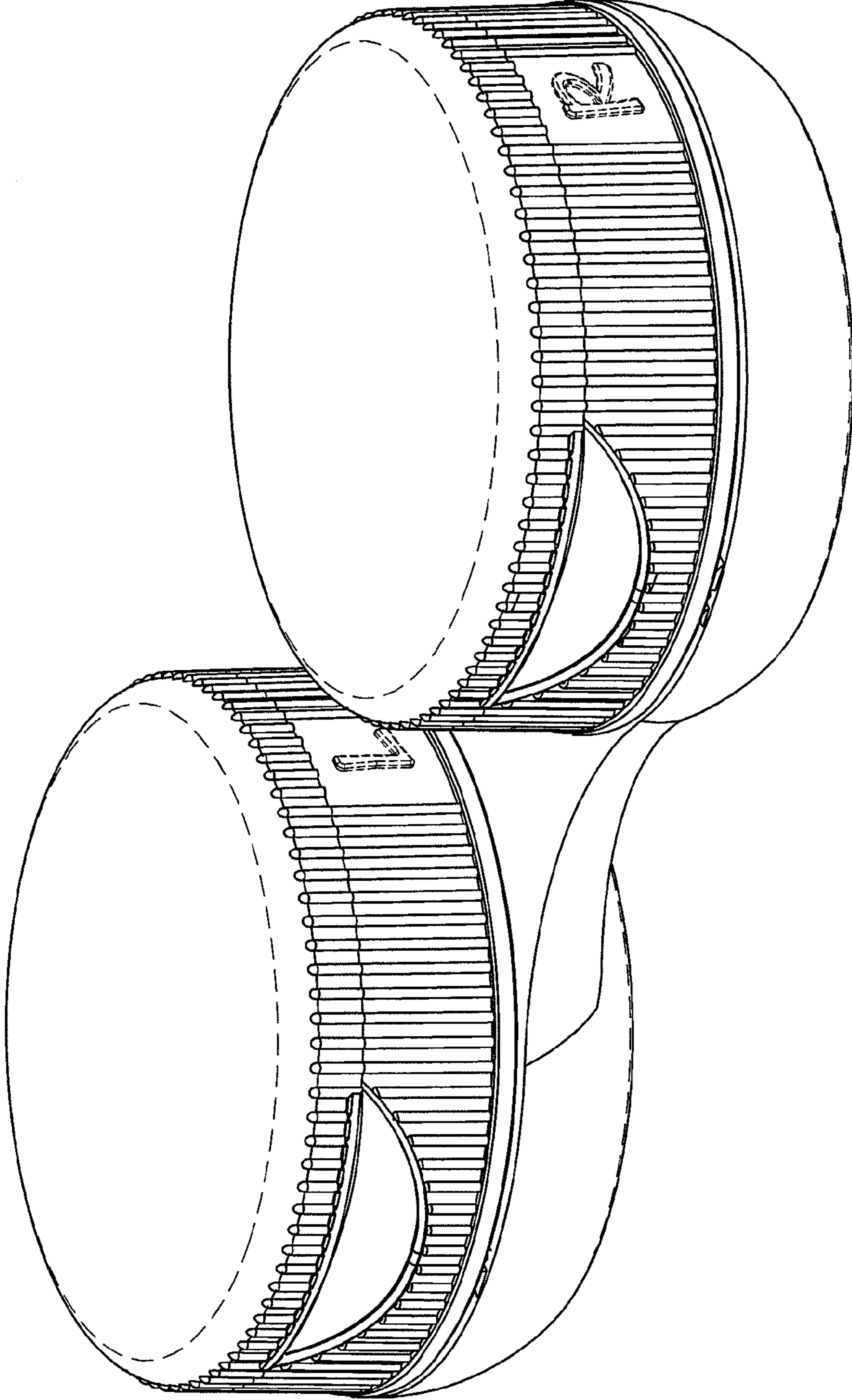


FIG. 1

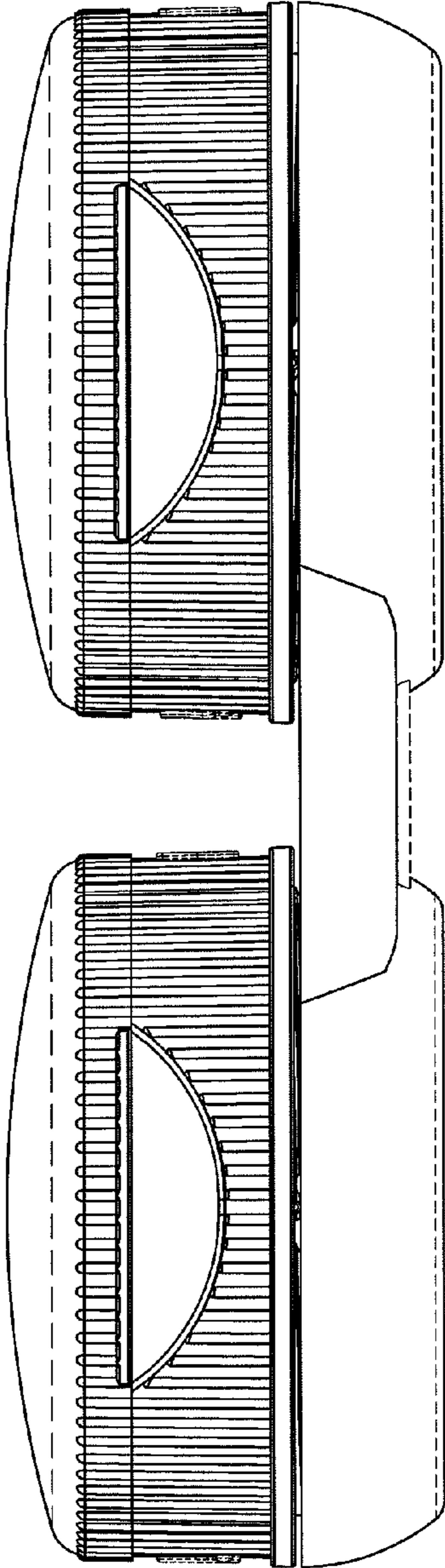


FIG. 2

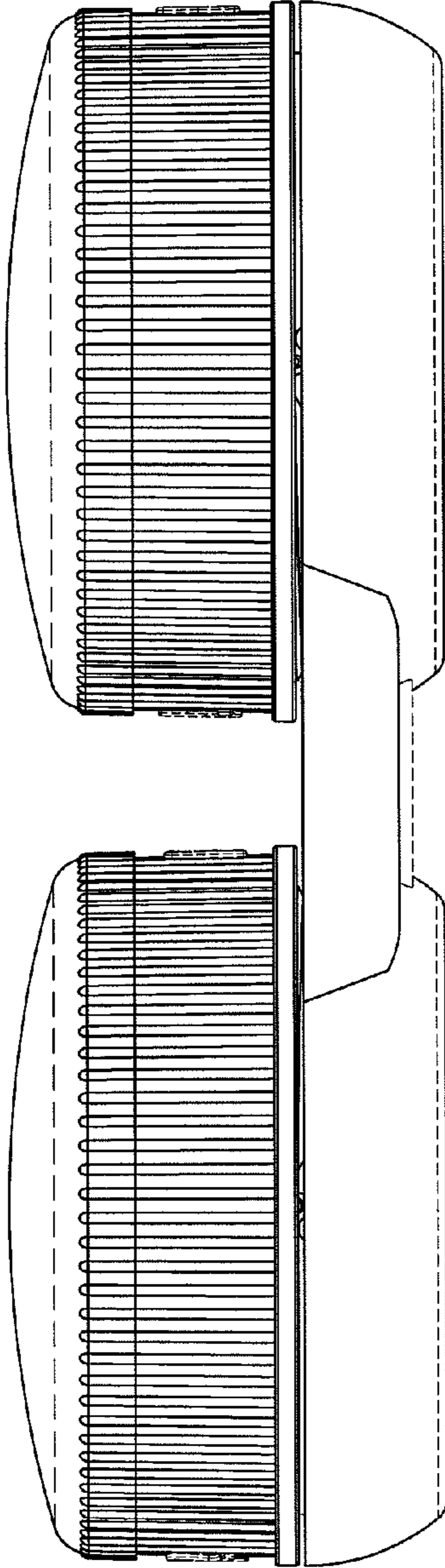


FIG. 3

FIG. 4

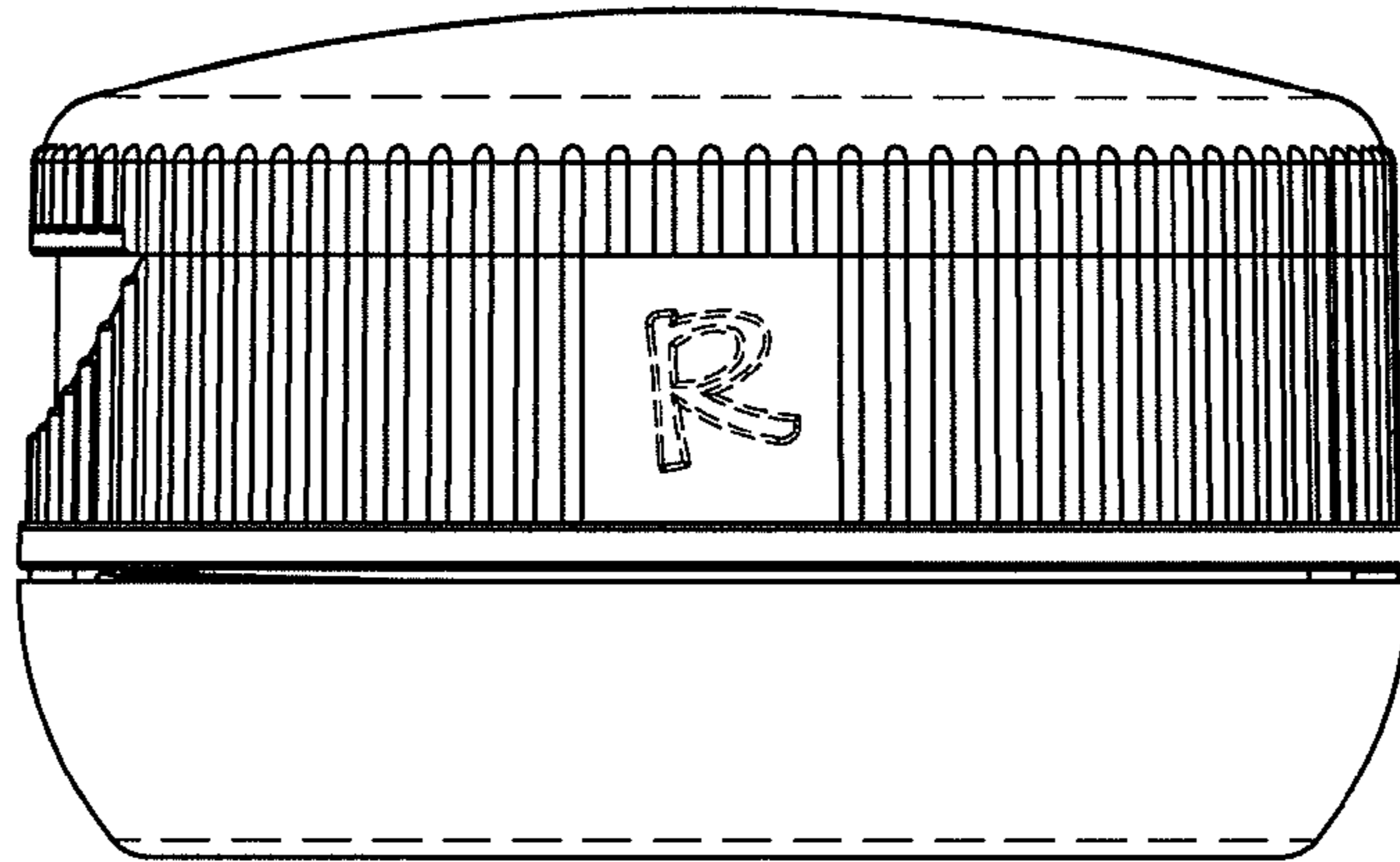
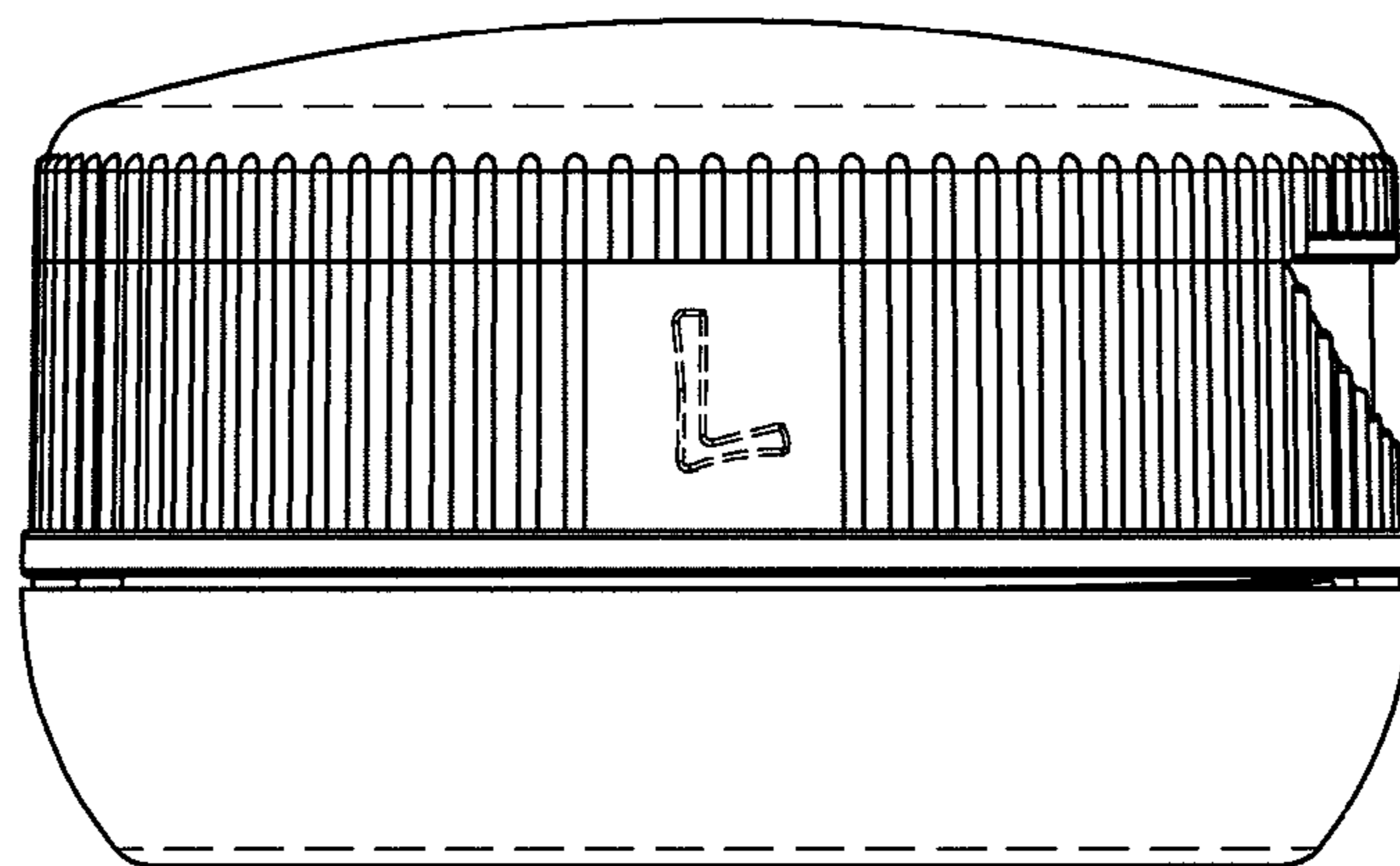


FIG. 5



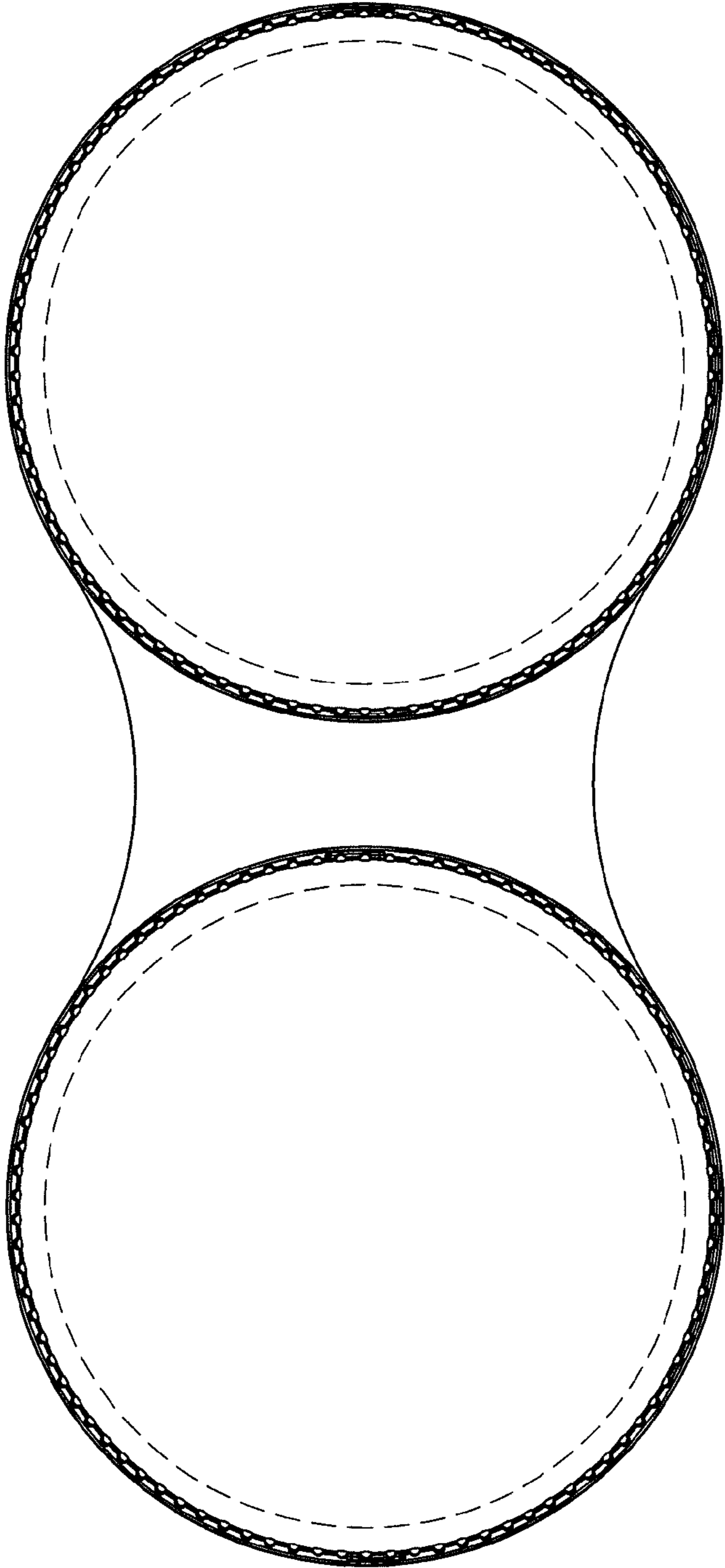


FIG. 6

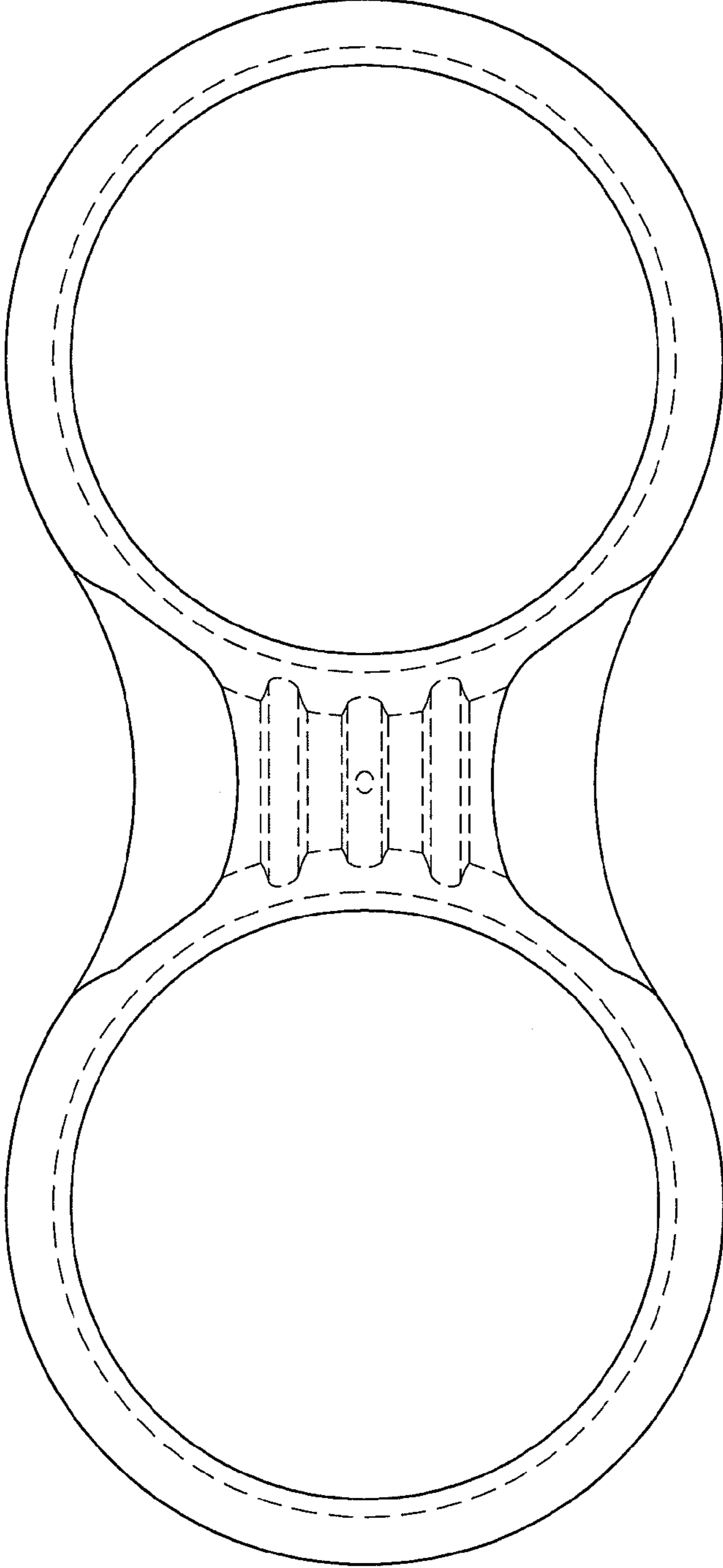


FIG. 7