



US00D714051S

(12) **United States Design Patent**  
**Priebe et al.**

(10) **Patent No.:** **US D714,051 S**

(45) **Date of Patent:** **\*\* Sep. 30, 2014**

(54) **CONTACT LENS CASE**

(75) Inventors: **Robert N. Priebe**, Bloomington, MN  
(US); **Eric Bombardt**, Inver Grove  
Heights, MN (US)

(73) Assignee: **Apothecary Products, LLC**, Burnsville,  
MN (US)

(\*\*) Term: **14 Years**

(21) Appl. No.: **29/414,546**

(22) Filed: **Feb. 29, 2012**

(51) **LOC (10) CL.** ..... **03-01**

(52) **U.S. CL.**  
USPC ..... **D3/264**

(58) **Field of Classification Search**  
USPC ..... D3/219, 252, 263, 264, 265; 206/5, 5.1,  
206/6

See application file for complete search history.

(56) **References Cited**

**U.S. PATENT DOCUMENTS**

2,394,135	A	2/1946	Baar	
D208,166	S *	7/1967	Hueber	D3/264
D239,413	S *	3/1976	Hoogesteger	D3/264
4,392,569	A *	7/1983	Shoup	206/5.1
D285,744	S *	9/1986	Vinot	D3/264
D289,923	S *	5/1987	Hoogesteger	D24/218
D358,477	S *	5/1995	De Meo	D3/264
5,433,314	A *	7/1995	Lin	206/5.1
5,443,172	A	8/1995	Gabriele	
5,452,792	A	9/1995	Zautke et al.	
6,382,409	B1 *	5/2002	Scala	206/5.1
6,679,373	B1 *	1/2004	Clevenger	206/5.1
D498,590	S *	11/2004	Borovsky	D3/264
6,868,963	B2 *	3/2005	Borovsky	206/5.1
D512,565	S *	12/2005	Sasso	D3/264
D551,448	S *	9/2007	Stull	D3/264
D570,113	S *	6/2008	Maraia et al.	D3/264
D575,955	S *	9/2008	Maraia et al.	D3/264

7,628,269	B2 *	12/2009	O'Hara et al.	206/5.1
7,832,551	B2 *	11/2010	Newman et al.	206/5.1
8,528,728	B2 *	9/2013	Pugh et al.	206/5.1
8,550,238	B2 *	10/2013	Josephson et al.	206/5.1
2002/0069896	A1 *	6/2002	Pankow	134/6
2004/0140229	A1 *	7/2004	Borovsky	206/5.1
2005/0087455	A1 *	4/2005	Mahieu et al.	206/216
2005/0109638	A1 *	5/2005	Eastman	206/5.1
2006/0011496	A1 *	1/2006	Mangabeira Nunez	206/5.1
2006/0102496	A1	5/2006	Christy et al.	
2007/0261970	A1	11/2007	Stull	
2008/0179200	A1 *	7/2008	O'Hara et al.	206/5.1
2010/0122917	A1 *	5/2010	Azera	206/5.1
2012/0000798	A1	1/2012	Thompson et al.	

(Continued)

**OTHER PUBLICATIONS**

“Picture of Two-Tone Silicone Skin Case for Nintendo Wii Remote and Nunchuck—blue, green, orange, pink,” dated prior to Feb. 29, 2012.

*Primary Examiner* — T. Chase Nelson

(74) *Attorney, Agent, or Firm* — Merchant & Gould P.C.

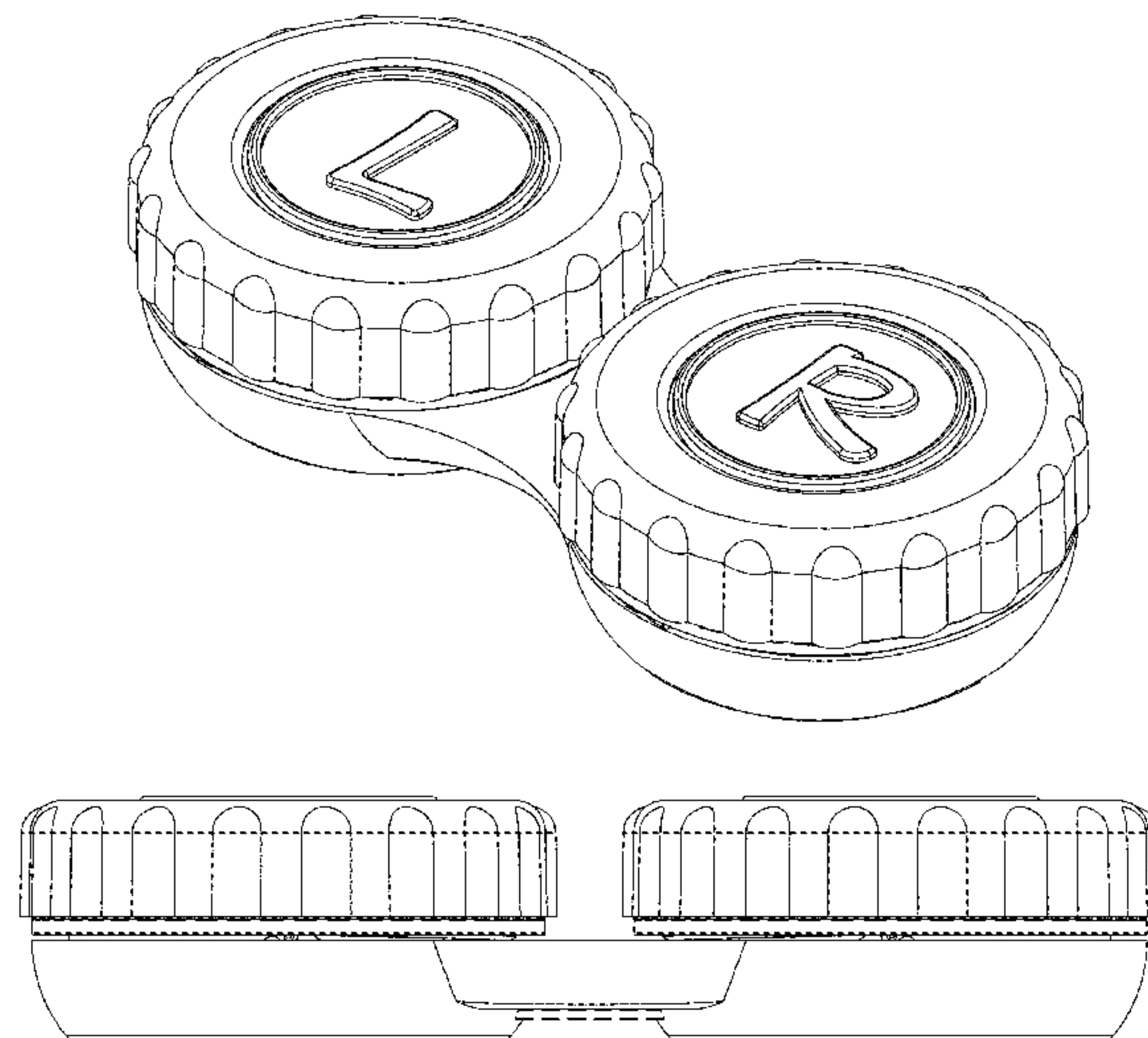
(57) **CLAIM**

The ornamental design for a contact lens case, as shown and described.

**DESCRIPTION**

FIG. 1 is a perspective view of a first embodiment of a contact lens case;  
FIG. 2 is a front view thereof, the structure shown in broken lines forming no part of the claimed design;  
FIG. 3 is a rear view thereof, the structure shown in broken lines forming no part of the claimed design;  
FIG. 4 is a right side view thereof;  
FIG. 5 is a left side view thereof;  
FIG. 6 is a top view thereof; and,  
FIG. 7 is a bottom view thereof, the structure shown in broken lines forming no part of the claimed design.

**1 Claim, 5 Drawing Sheets**



# US D714,051 S

Page 2

---

(56)

## References Cited

2013/0220840 A1\* 8/2013 Priebe et al. .... 206/5.1  
2013/0220851 A1\* 8/2013 Priebe et al. .... 206/234

## U.S. PATENT DOCUMENTS

2012/0193245 A1\* 8/2012 Wright ..... 206/5.1 \* cited by examiner

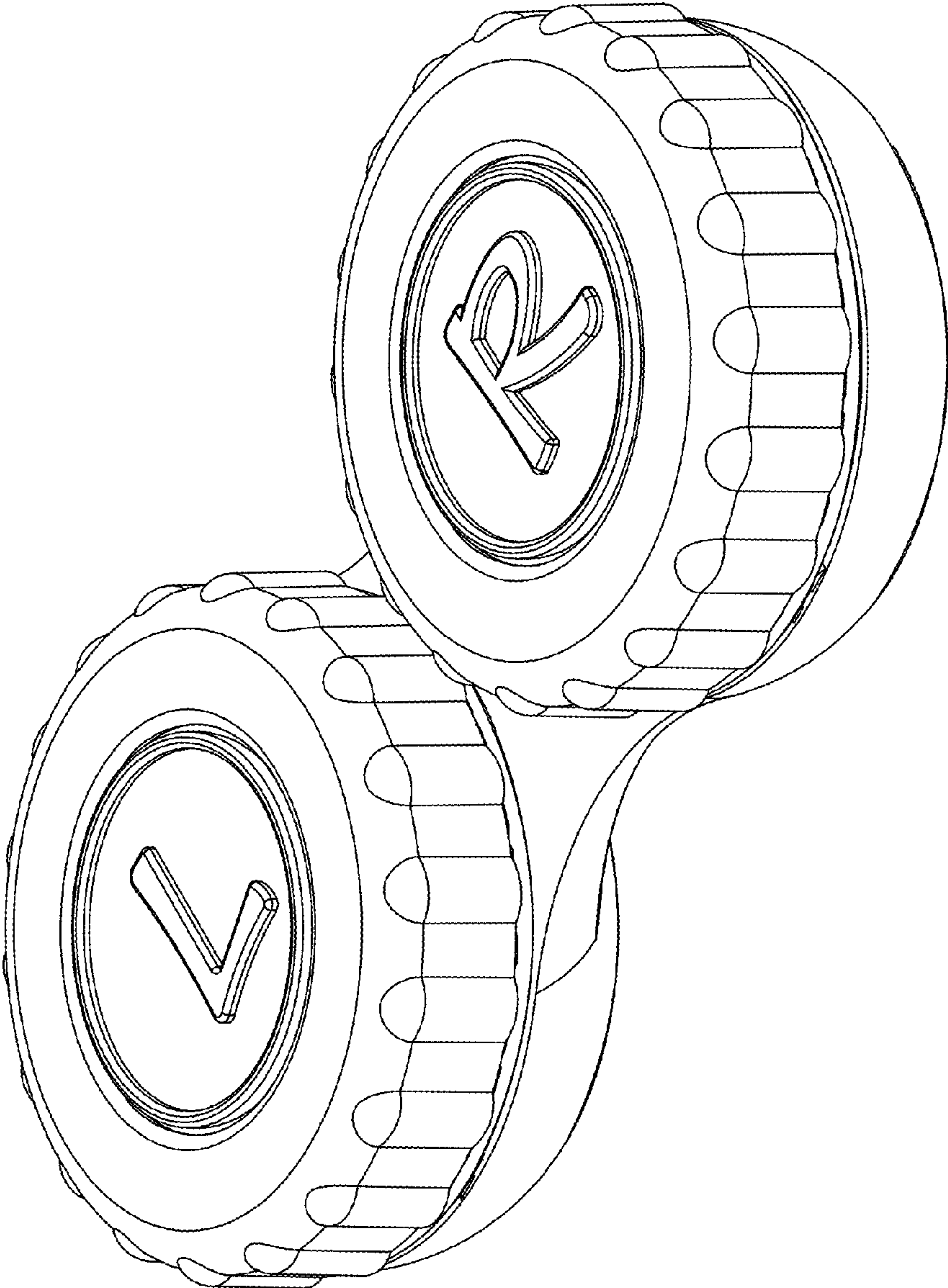


FIG. 1

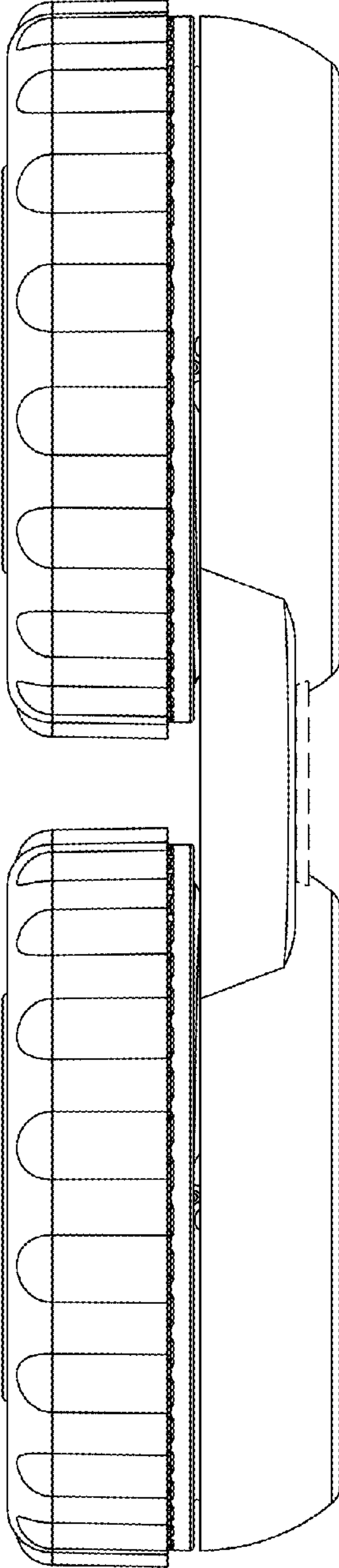


FIG. 2

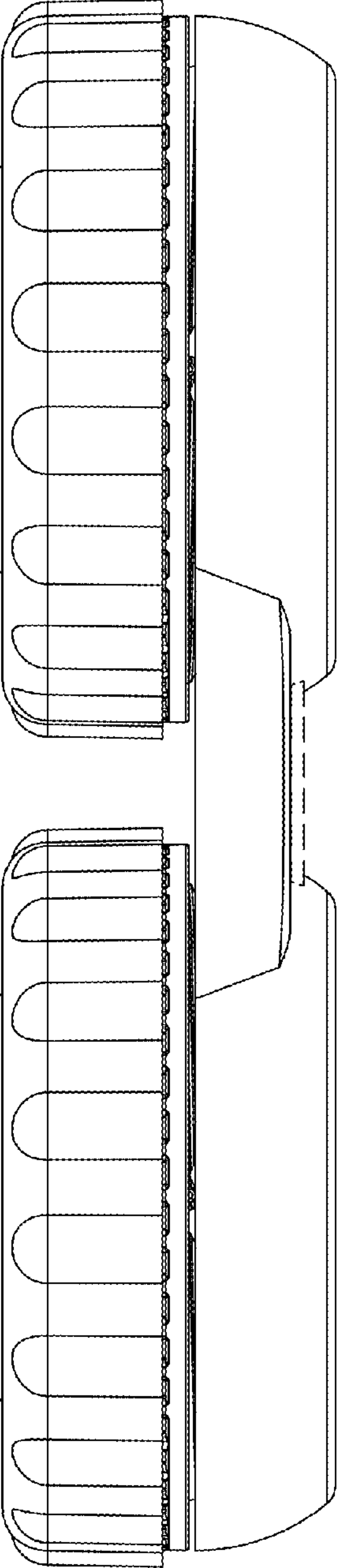


FIG. 3

FIG. 4

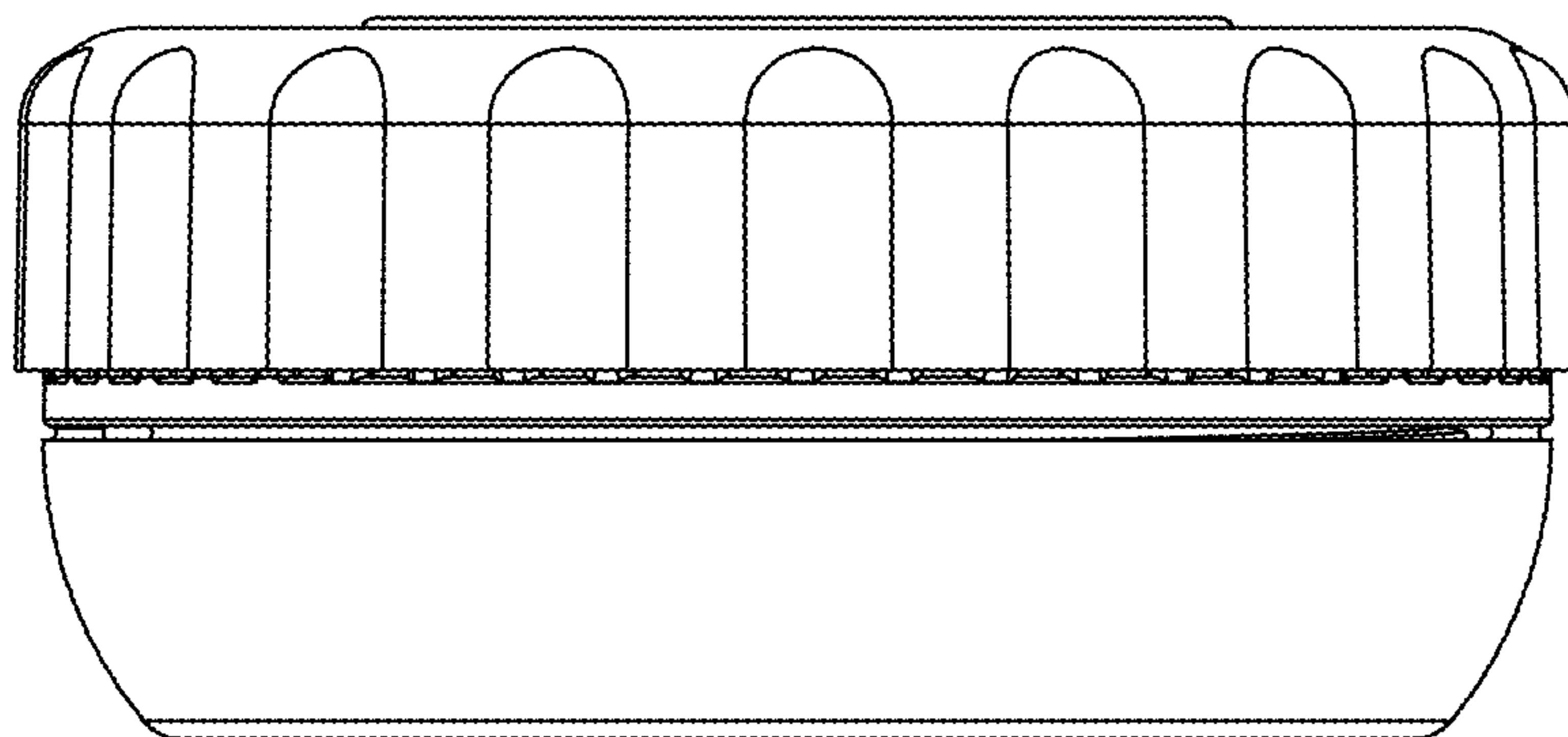
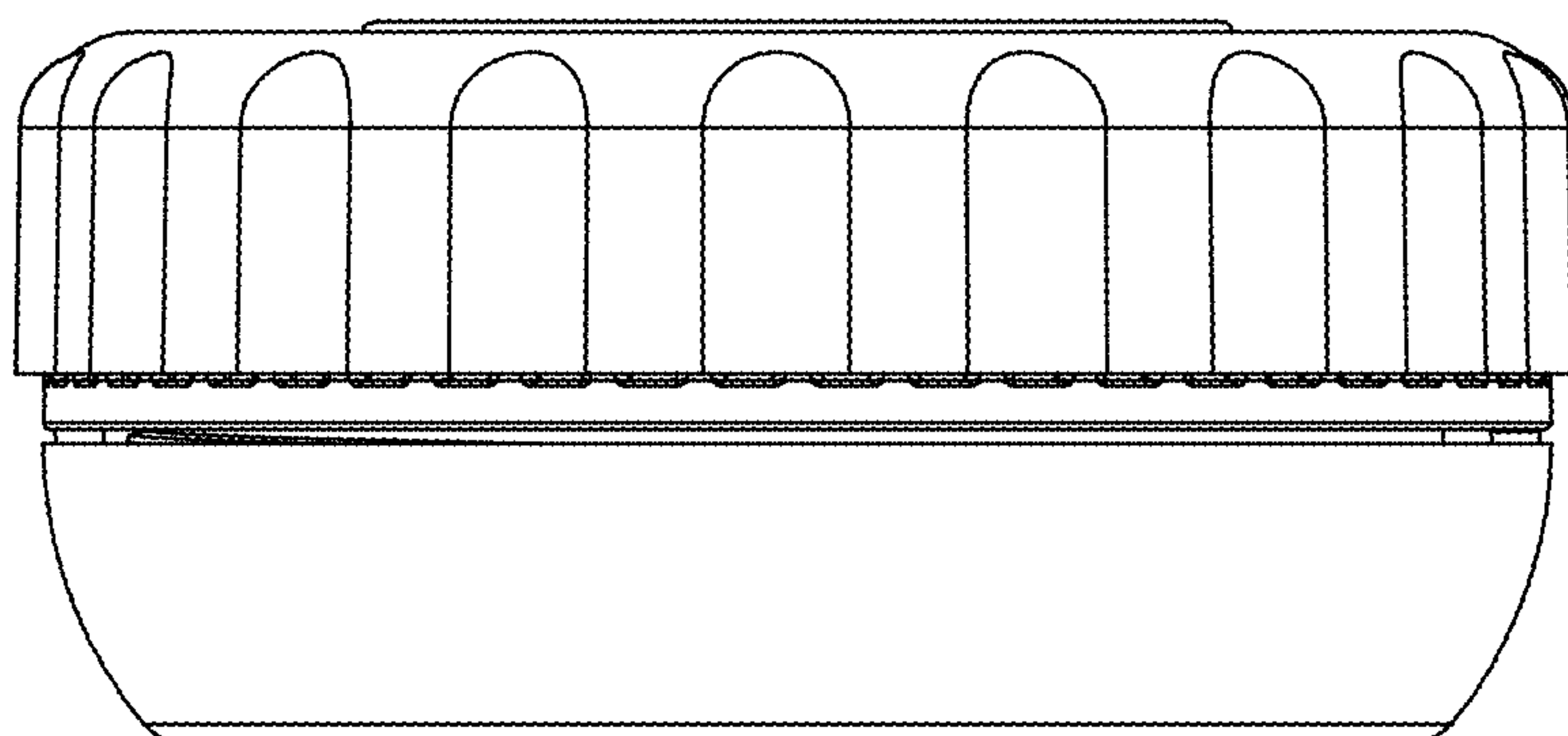


FIG. 5





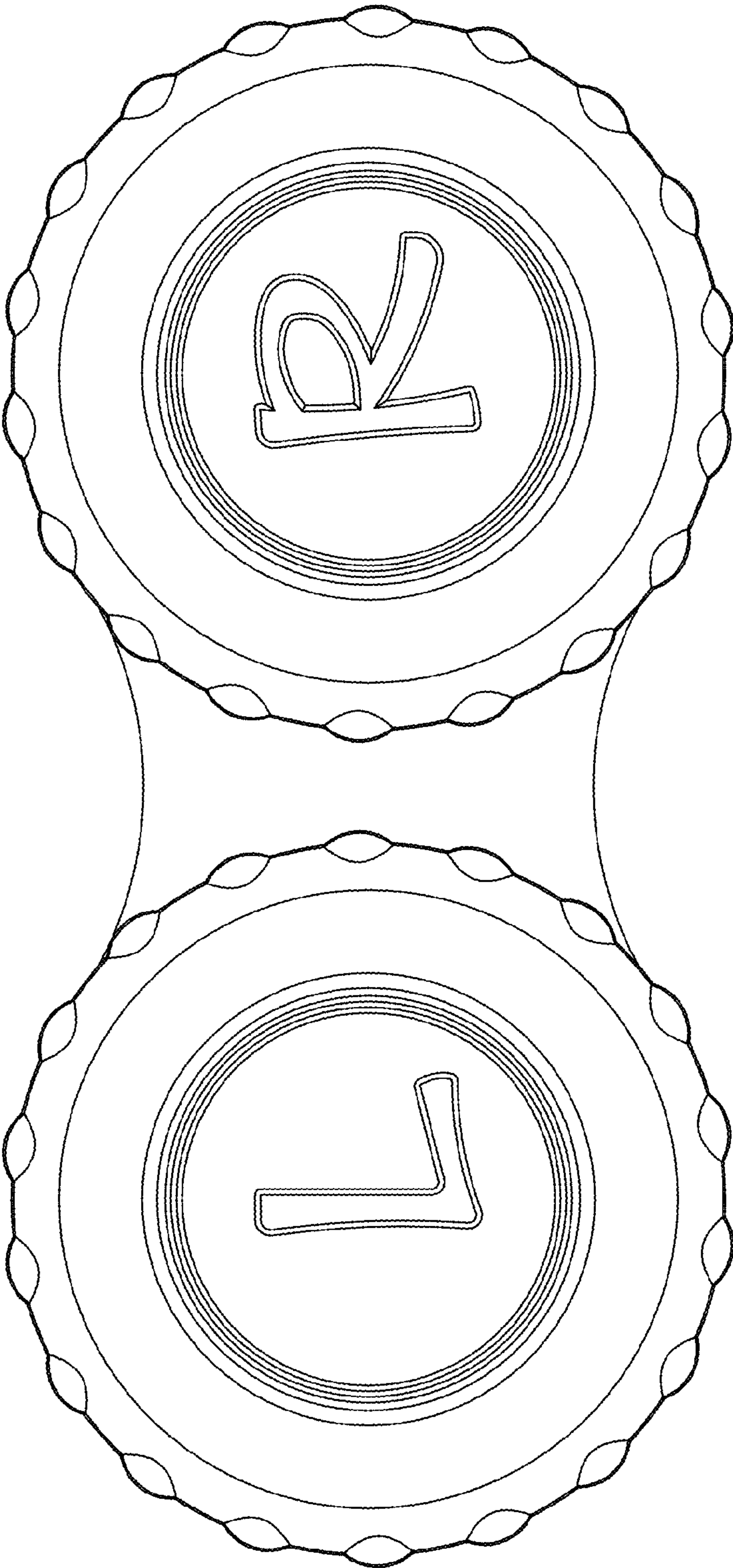


FIG. 6

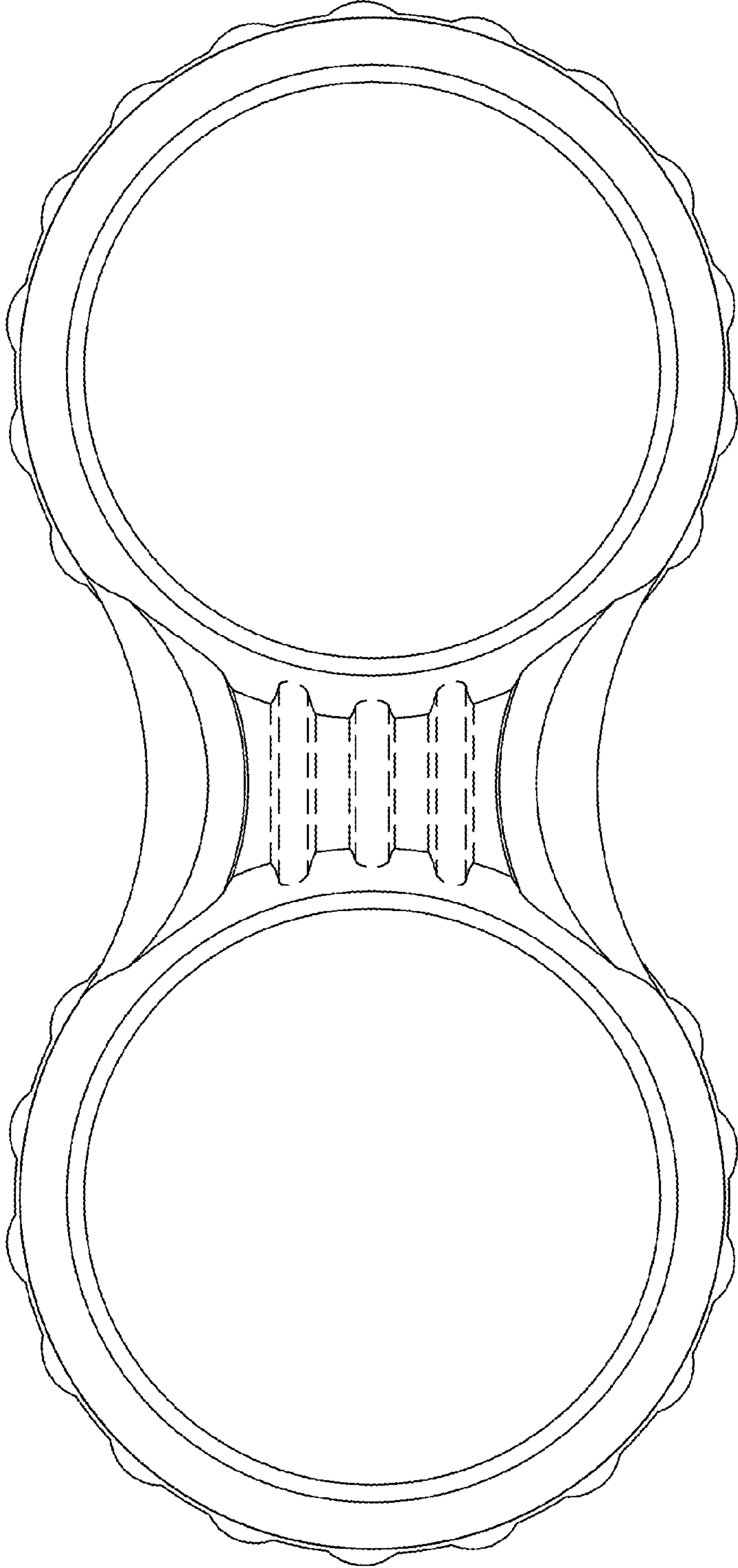


FIG. 7