



US00D714050S

(12) **United States Design Patent**
Crabtree

(10) **Patent No.:** **US D714,050 S**
(45) **Date of Patent:** **** Sep. 30, 2014**

(54) **WALLET**

(71) Applicant: **Crabby Gear, LLC**, Ogden, UT (US)

(72) Inventor: **Ryan Crabtree**, Ogden, UT (US)

(73) Assignee: **Crabby Gear, LLC**, Ogden, UT (US)

(**) Term: **14 Years**

(21) Appl. No.: **29/457,185**

(22) Filed: **Jun. 7, 2013**

(51) **LOC (10) Cl.** **03-01**

(52) **U.S. Cl.**
USPC **D3/247**

(58) **Field of Classification Search**
CPC B65D 5/0245; B65D 75/14
USPC 150/131-149, 152, 165; 206/39, 232,
206/424, 425, 457, 494, 534; 40/124.01,
40/124.06, 124.09, 358, 910-912;
D14/250; D3/203.1, 203.5, 203.6,
D3/203.8, 225-227, 247-253, 299, 301,
D3/303

See application file for complete search history.

(56) **References Cited**

U.S. PATENT DOCUMENTS

| | | | | | |
|--------------|------|---------|--------------|-------|---------|
| 1,761,809 | A * | 6/1930 | Ancla | | 24/17 R |
| 5,944,080 | A * | 8/1999 | Podwika | | 150/147 |
| D509,955 | S * | 9/2005 | Williams | | D3/247 |
| D527,898 | S * | 9/2006 | Tavone | | D3/247 |
| D575,569 | S * | 8/2008 | Martinetti | | D6/626 |
| D585,643 | S * | 2/2009 | Preston-Hall | | D3/247 |
| 7,971,324 | B2 * | 7/2011 | Preston-Hall | | 24/17 B |
| 8,381,360 | B2 * | 2/2013 | Preston-Hall | | 24/17 B |
| D690,931 | S * | 10/2013 | Minn et al. | | D3/247 |
| 2005/0205435 | A1 * | 9/2005 | Loy | | 206/37 |
| 2006/0243364 | A1 * | 11/2006 | Bridgefarmer | | 150/147 |
| 2010/0065171 | A1 * | 3/2010 | Uzelac | | 150/149 |
| 2011/0048594 | A1 * | 3/2011 | Arnone | | 150/147 |

OTHER PUBLICATIONS

Plagiats ! (wallet with logo Remi). Blog [online] Posted [May 7, 2013]. Meloncollie, 2014 [retrieved on Apr. 30, 2014]. Retrieved from the Internet: <URL: www.meloncollie.fr/?p=2766>.*
The Crabby Wallet: A wallet that is not for everyone . . . , Blog [online]. Posted [Mar. 27, 2013]. Kickstarter, 2014 [retrieved on Apr. 30, 2014]. Retrieved from the Internet: <URL: https://www.kickstarter.com/projects/1369622196/the-crabby-wallet-a-wallet-that-is-not-for-everyon>.*

* cited by examiner

Primary Examiner — Adir Aronovich

Assistant Examiner — Ethiene Salgado-Rodriguez

(74) *Attorney, Agent, or Firm* — Patent Law Works LLP

(57) **CLAIM**

The ornamental design for a wallet, as shown and described.

DESCRIPTION

FIG. 1 is a top and front perspective view of a wallet showing my new design;

FIG. 2 is bottom and rear perspective view thereof;

FIG. 3 is a front elevational view thereof;

FIG. 4 is a rear elevational view thereof;

FIG. 5 is a top plan view thereof;

FIG. 6 is a bottom plan view thereof;

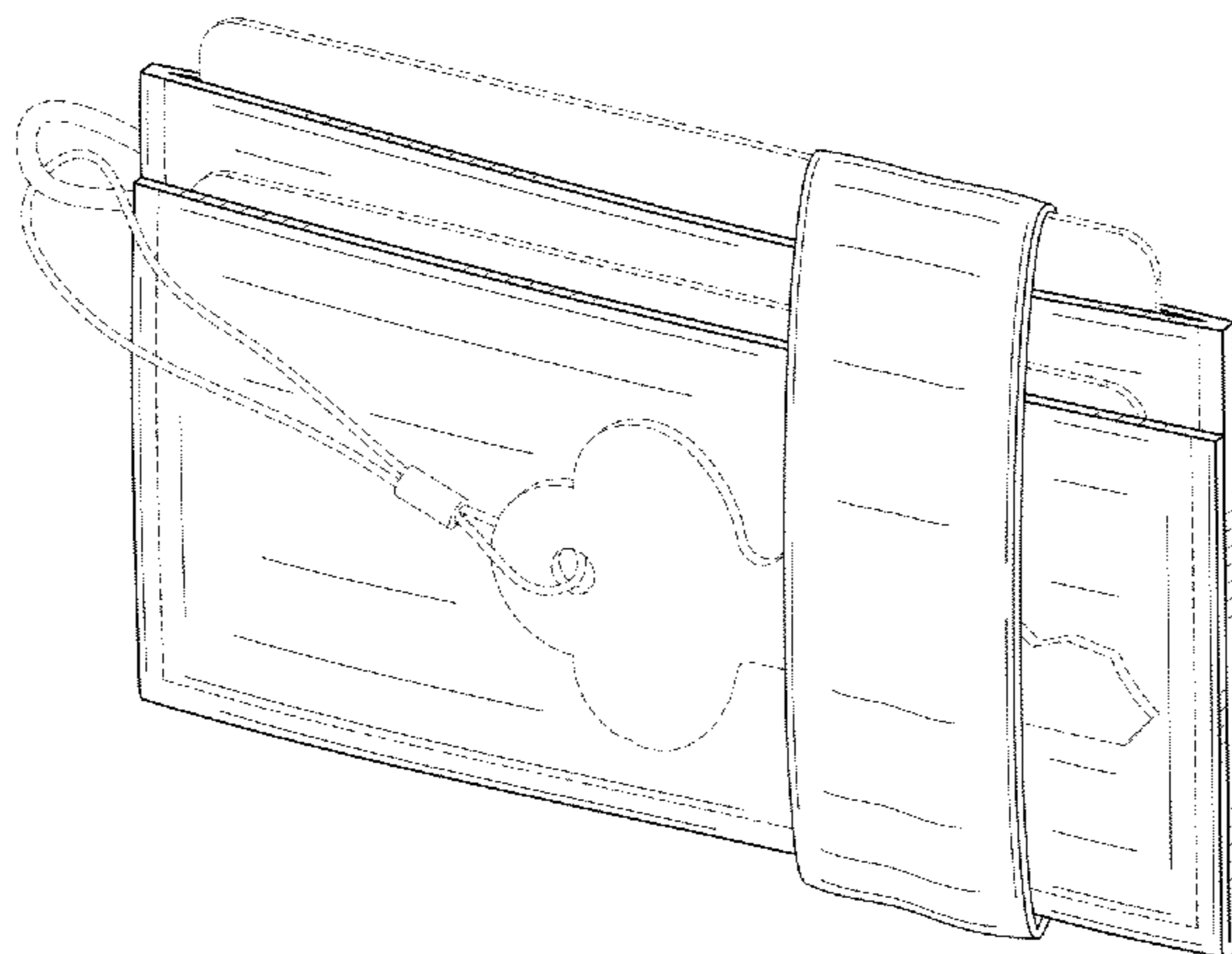
FIG. 7 is a left side elevational view thereof;

FIG. 8 is a right side elevational view thereof; and,

FIG. 9 is a front perspective view of the wallet in use.

The broken lines along edges of the front and rear surfaces of the wallet are shown to illustrate stitching. The broken lines disclosing a key, a key holder, portions of credit cards and a loop in the drawings are shown to illustrate environment only and form no part of the claimed design.

1 Claim, 4 Drawing Sheets



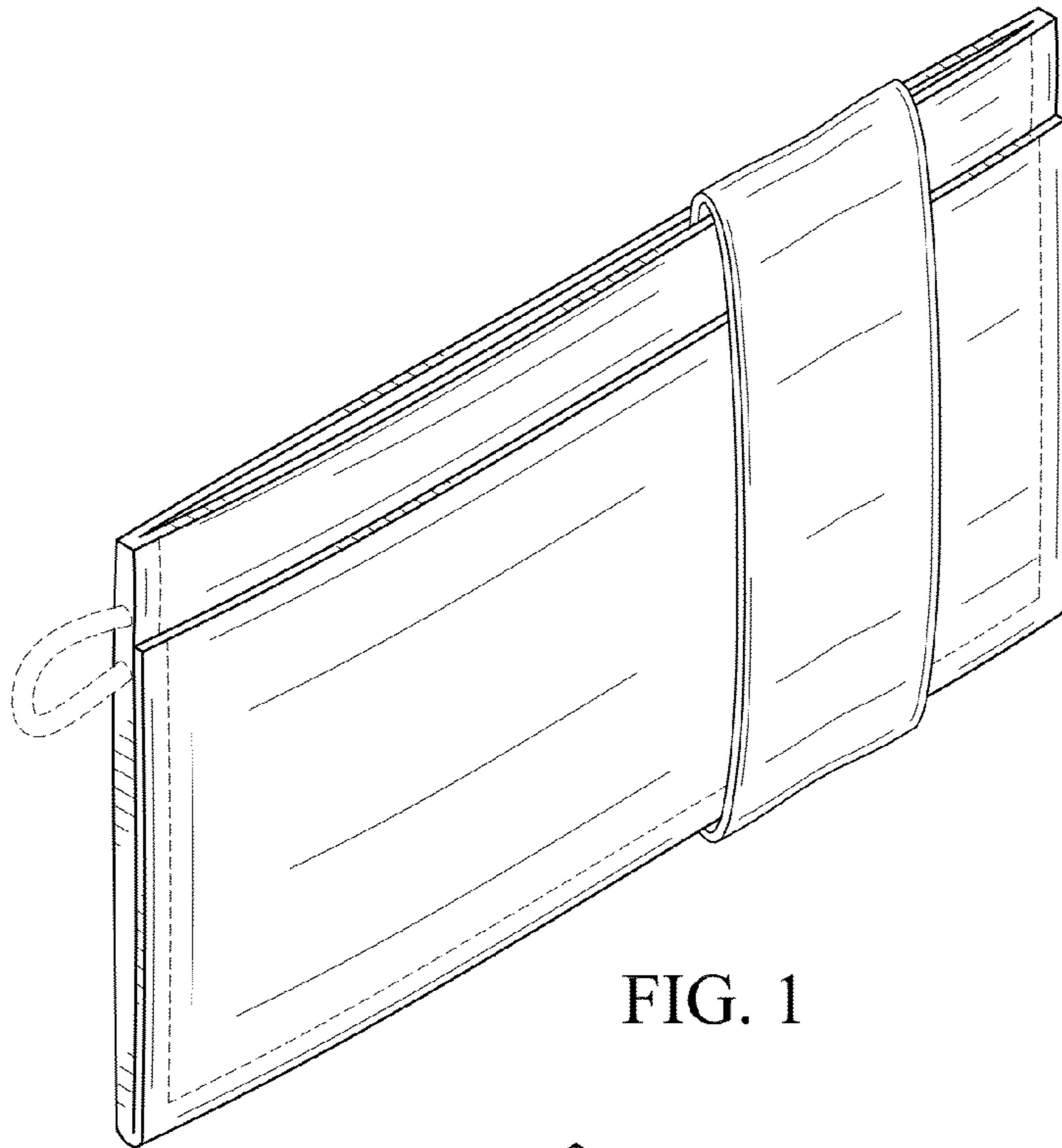


FIG. 1

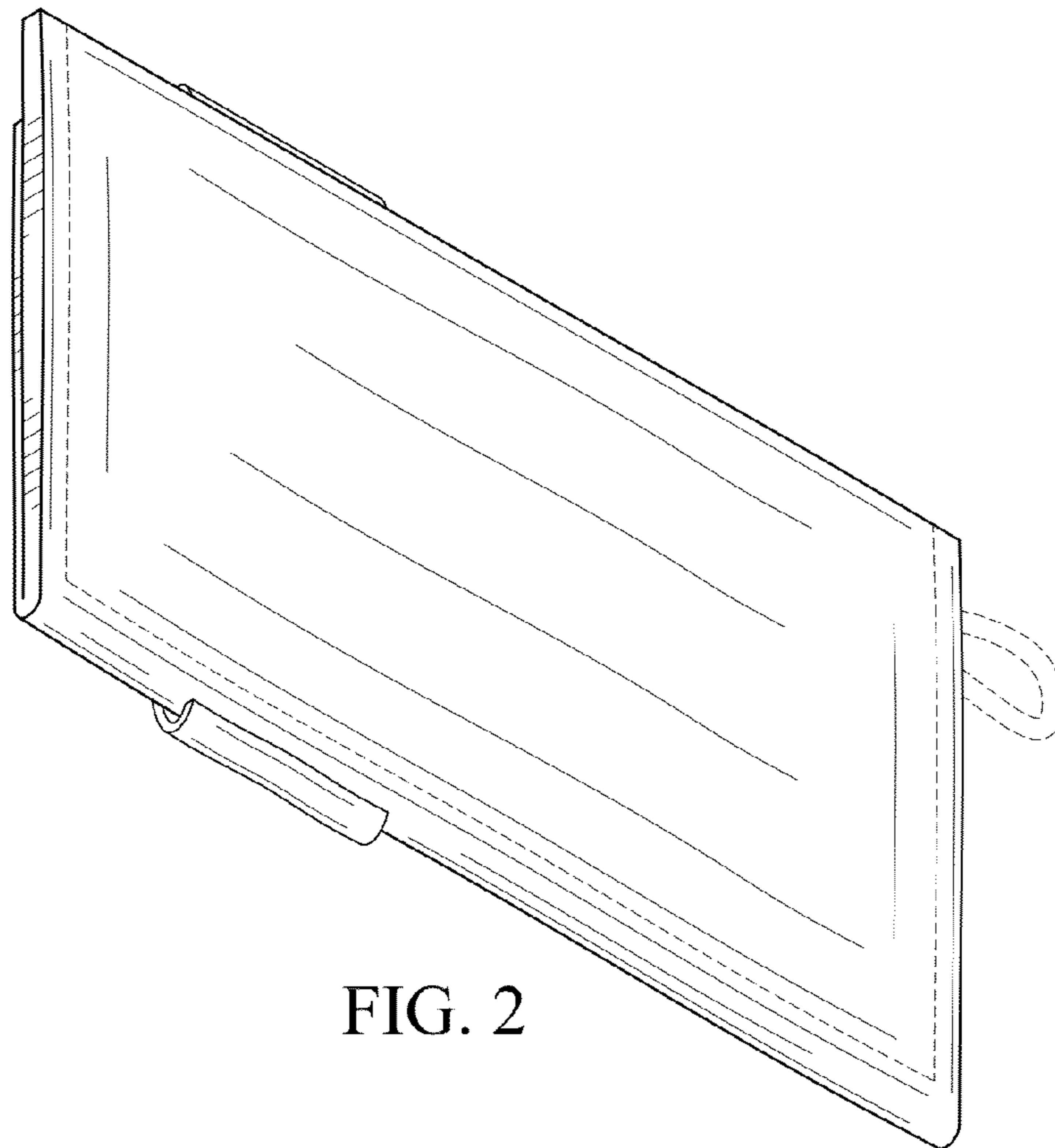


FIG. 2

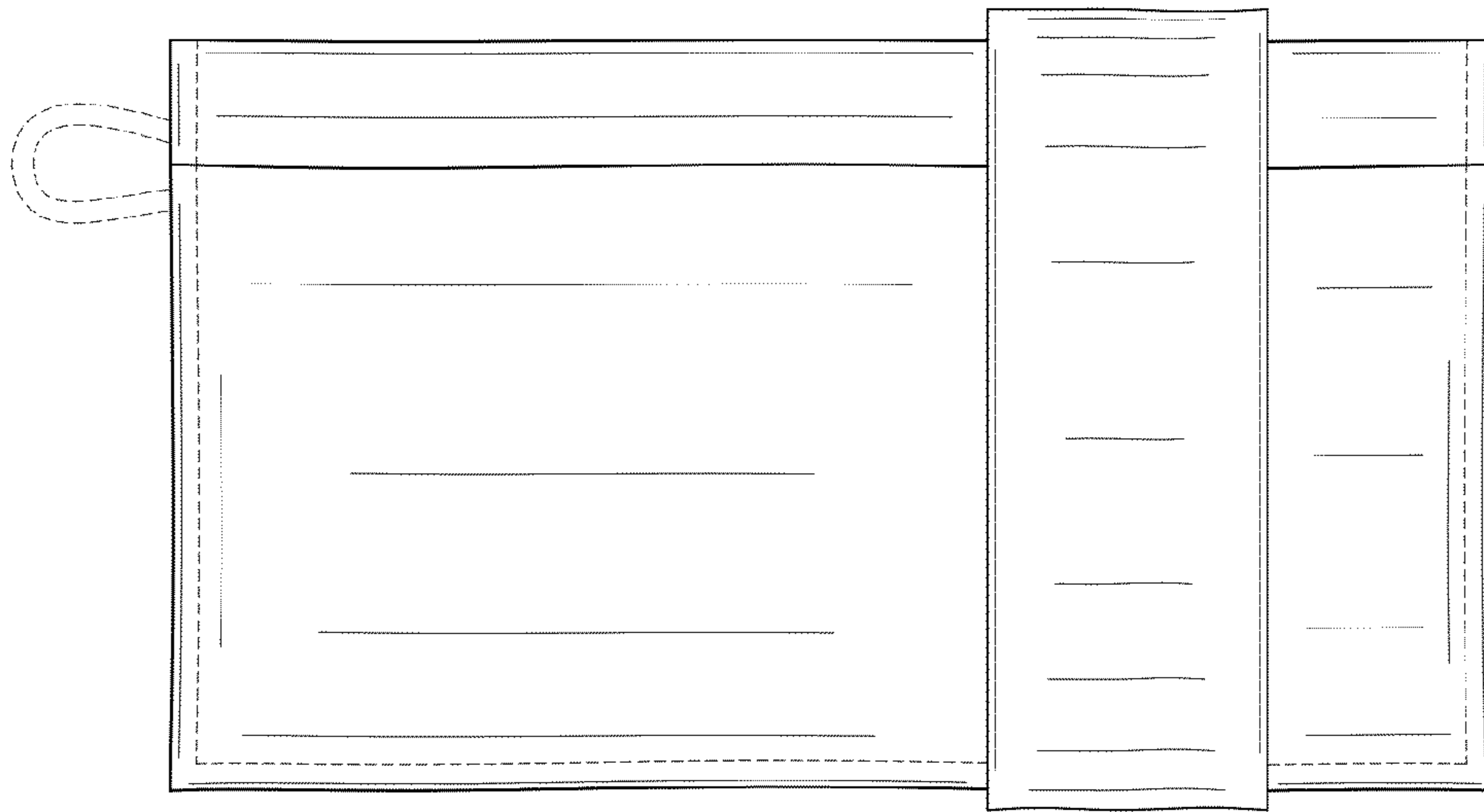


FIG. 3

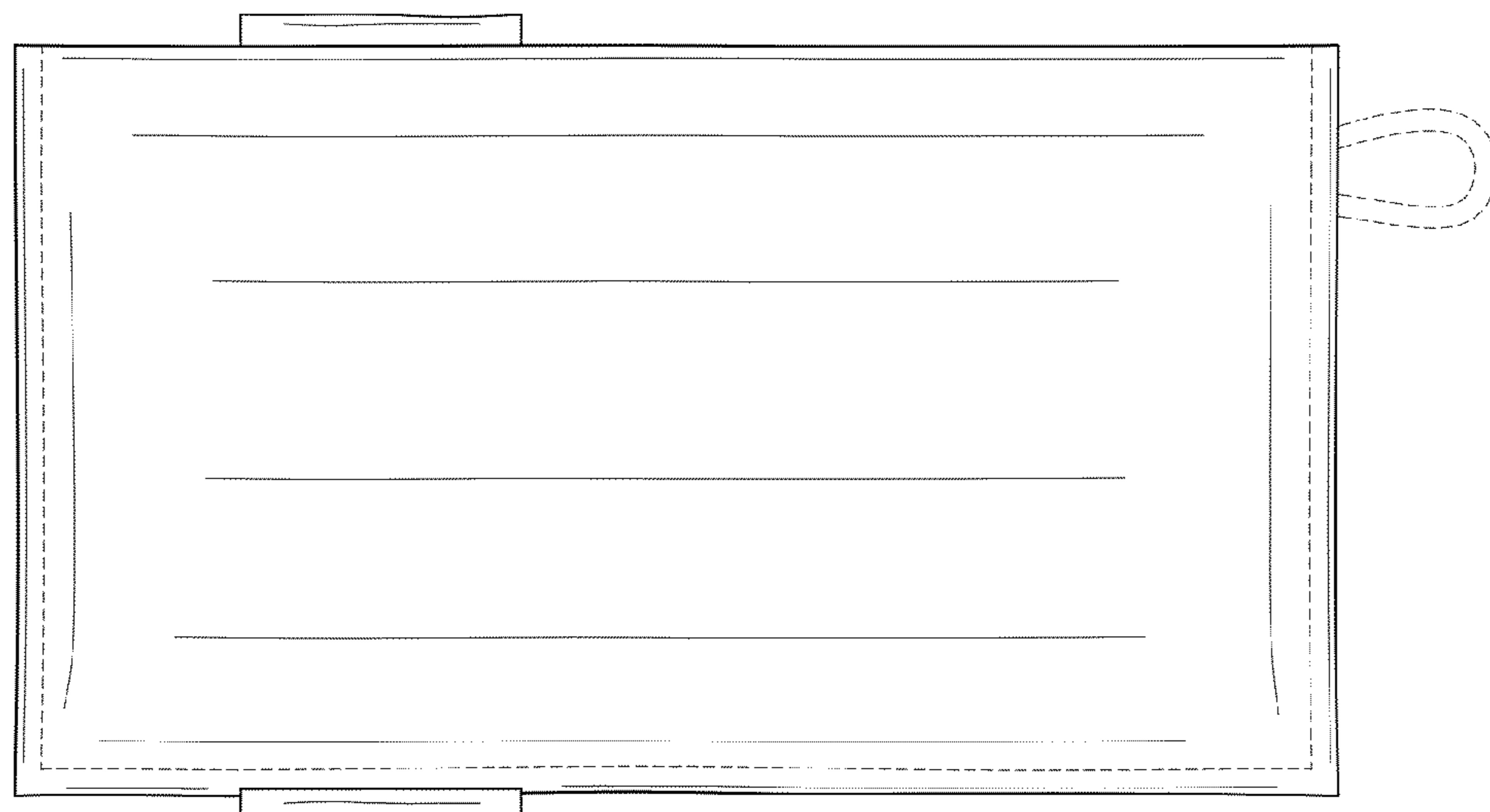


FIG. 4



FIG. 5



FIG. 6

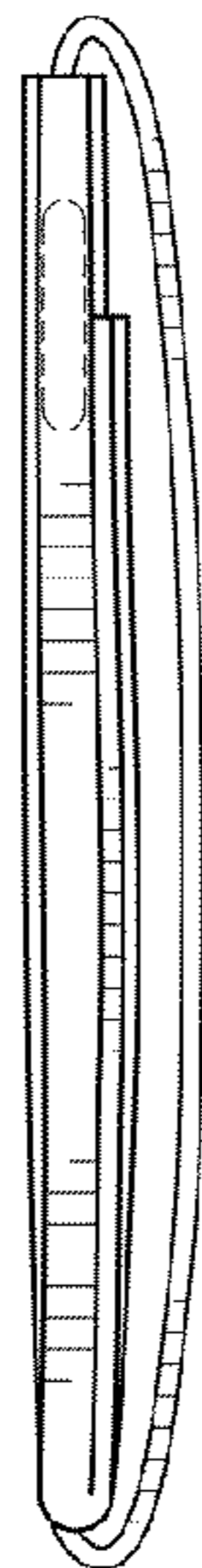


FIG. 7



FIG. 8

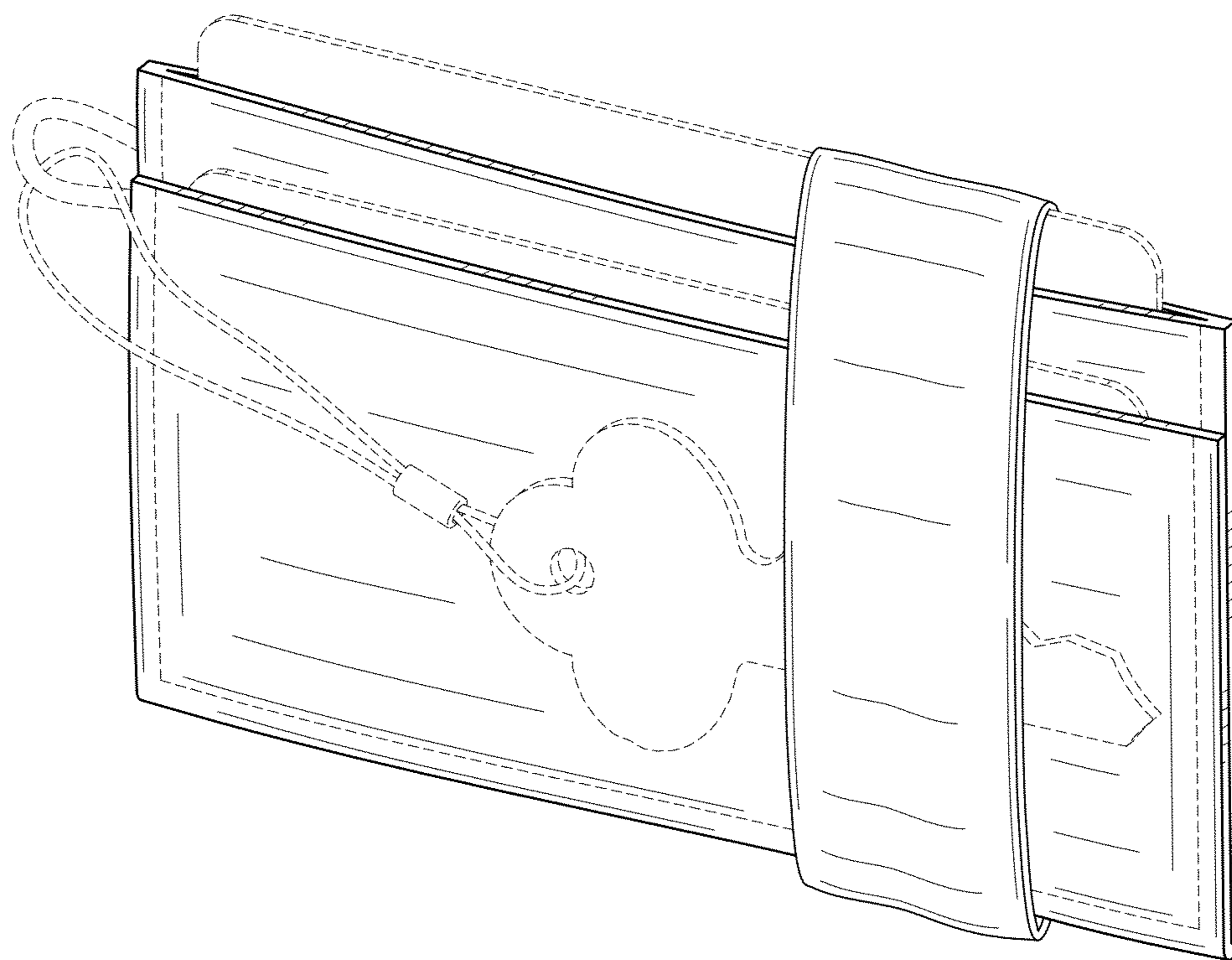


FIG. 9