



US00D714049S

(12) **United States Design Patent**  
**Wang**

(10) **Patent No.:** **US D714,049 S**

(45) **Date of Patent:** **\*\* Sep. 30, 2014**

(54) **HANDBAG**

(71) Applicant: **Kate Spade LLC**, New York, NY (US)

(72) Inventor: **San Chyi Wang**, Bayside, NY (US)

(73) Assignee: **Kate Spade LLC**, New York, NY (US)

(\*\*) Term: **14 Years**

(21) Appl. No.: **29/449,759**

(22) Filed: **Mar. 15, 2013**

(51) **LOC (10) Cl.** ..... **03-01**

(52) **U.S. Cl.**  
USPC ..... **D3/245**

(58) **Field of Classification Search**  
CPC ..... A45C 1/02  
USPC ..... D3/232–233, 245–246; 150/100,  
150/103–110, 113–114, 117–119

See application file for complete search history.

(56) **References Cited**

U.S. PATENT DOCUMENTS

D566,385 S \* 4/2008 Yuson ..... D3/232  
D609,908 S \* 2/2010 Dolce et al. .... D3/245  
D672,951 S \* 12/2012 Boone et al. .... D3/245

\* cited by examiner

*Primary Examiner* — Holly Baynham

(74) *Attorney, Agent, or Firm* — Norvell IP llc; Shyla Jones

(57) **CLAIM**

I claim the ornamental design for the handbag, as shown and described.

**DESCRIPTION**

FIG. 1 is a perspective view of the handbag of the present invention.

FIG. 2 is a front view of the invention shown in FIG. 1.

FIG. 3 is a rear view of the invention shown in FIG. 1.

FIG. 4 is a first side view of the invention shown in FIG. 1.

FIG. 5 is a second side view of the invention shown in FIG. 1.

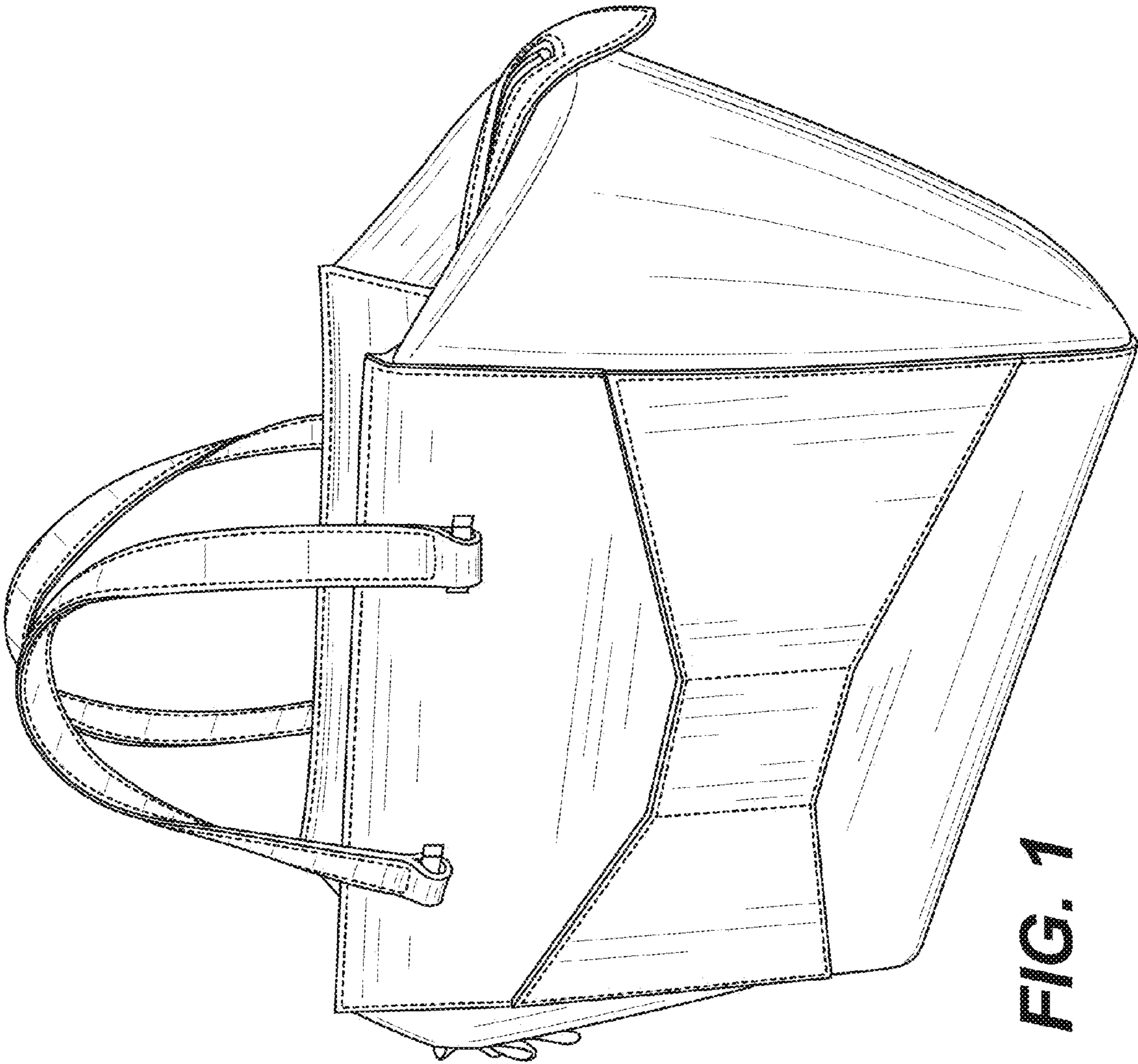
FIG. 6 is a top view of the invention shown in FIG. 1; and,

FIG. 7 is a bottom view of the invention shown in FIG. 1.

The dotted lines shown in the drawings represent stitching and is part of the claimed design.

**1 Claim, 7 Drawing Sheets**





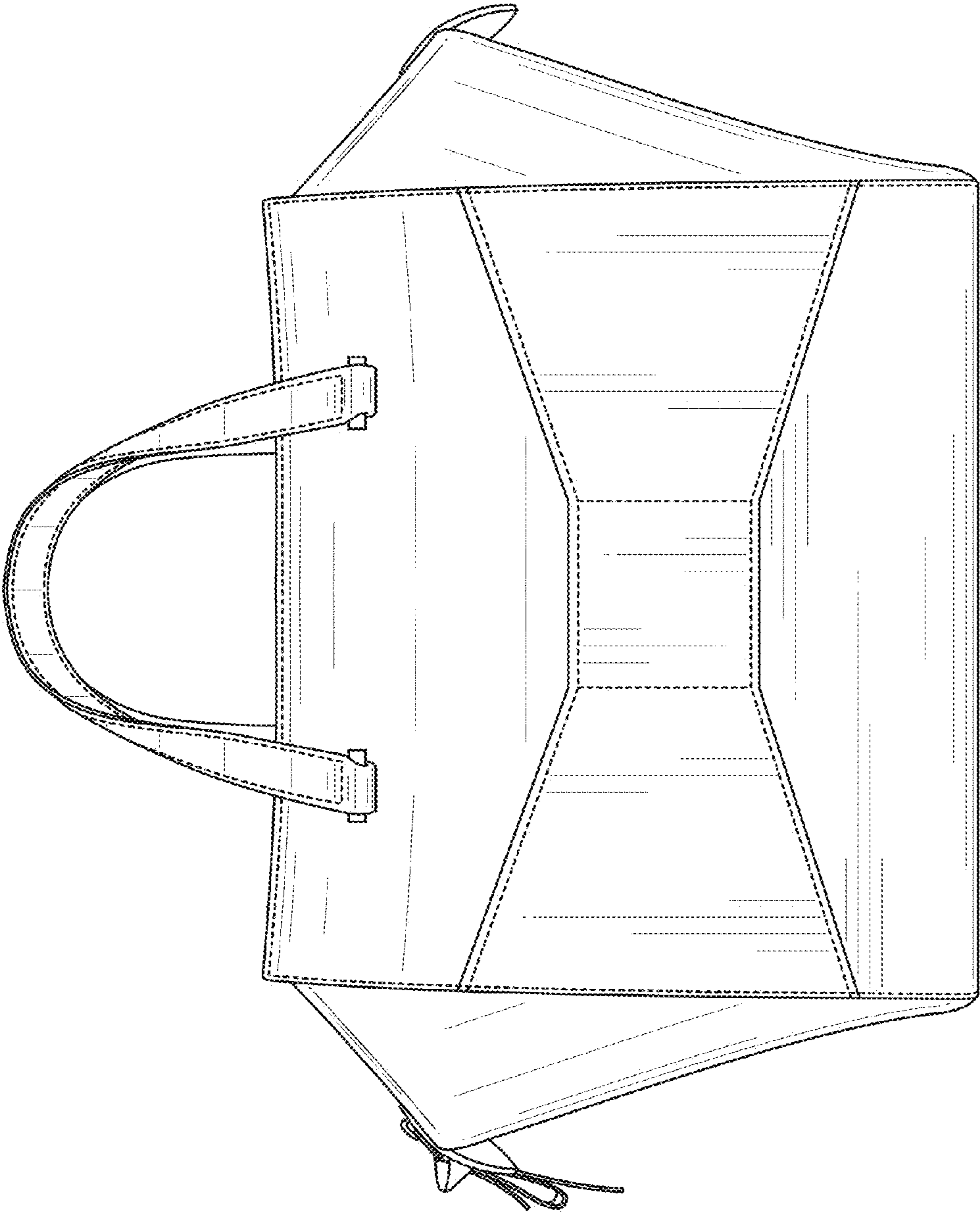


FIG. 2

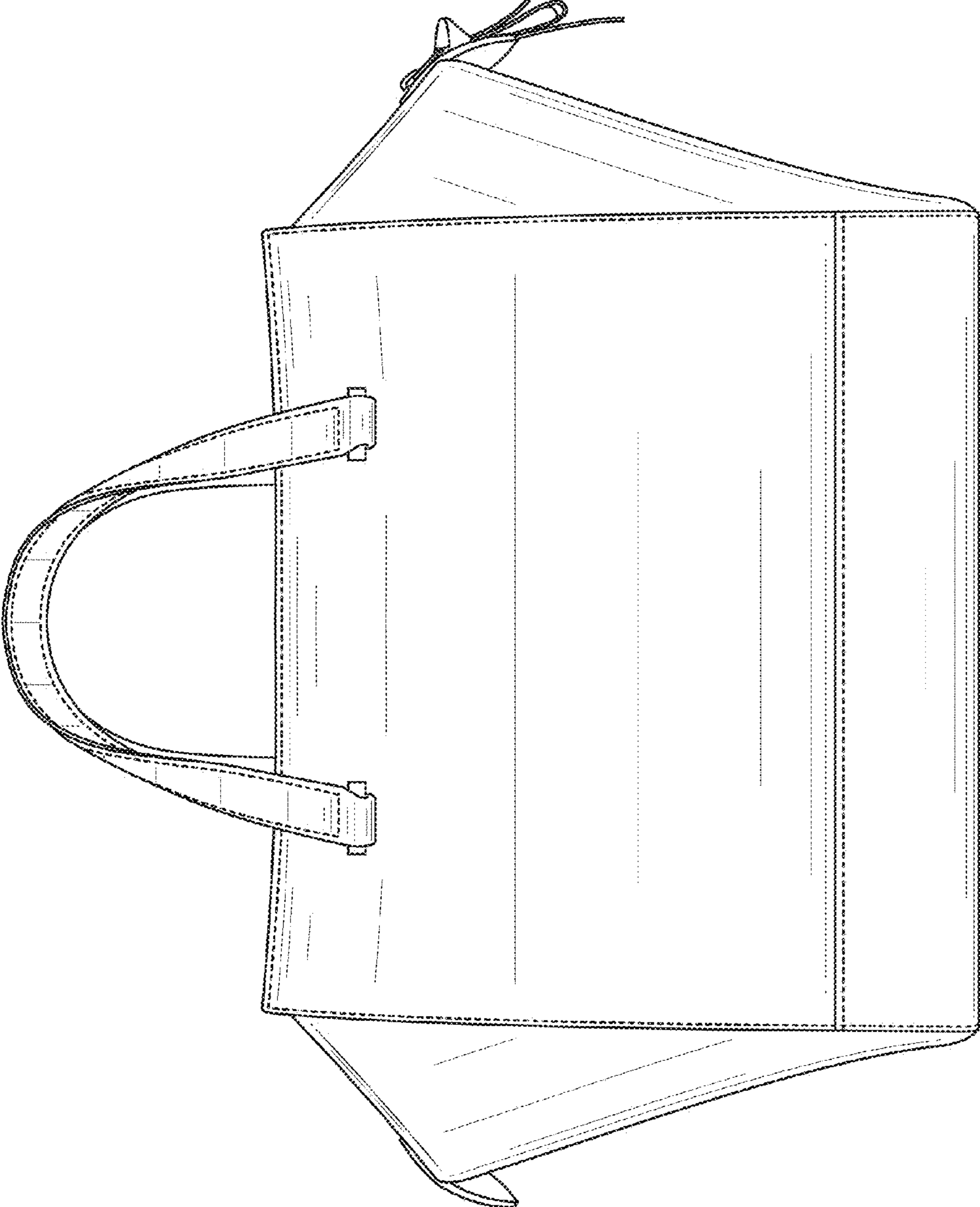
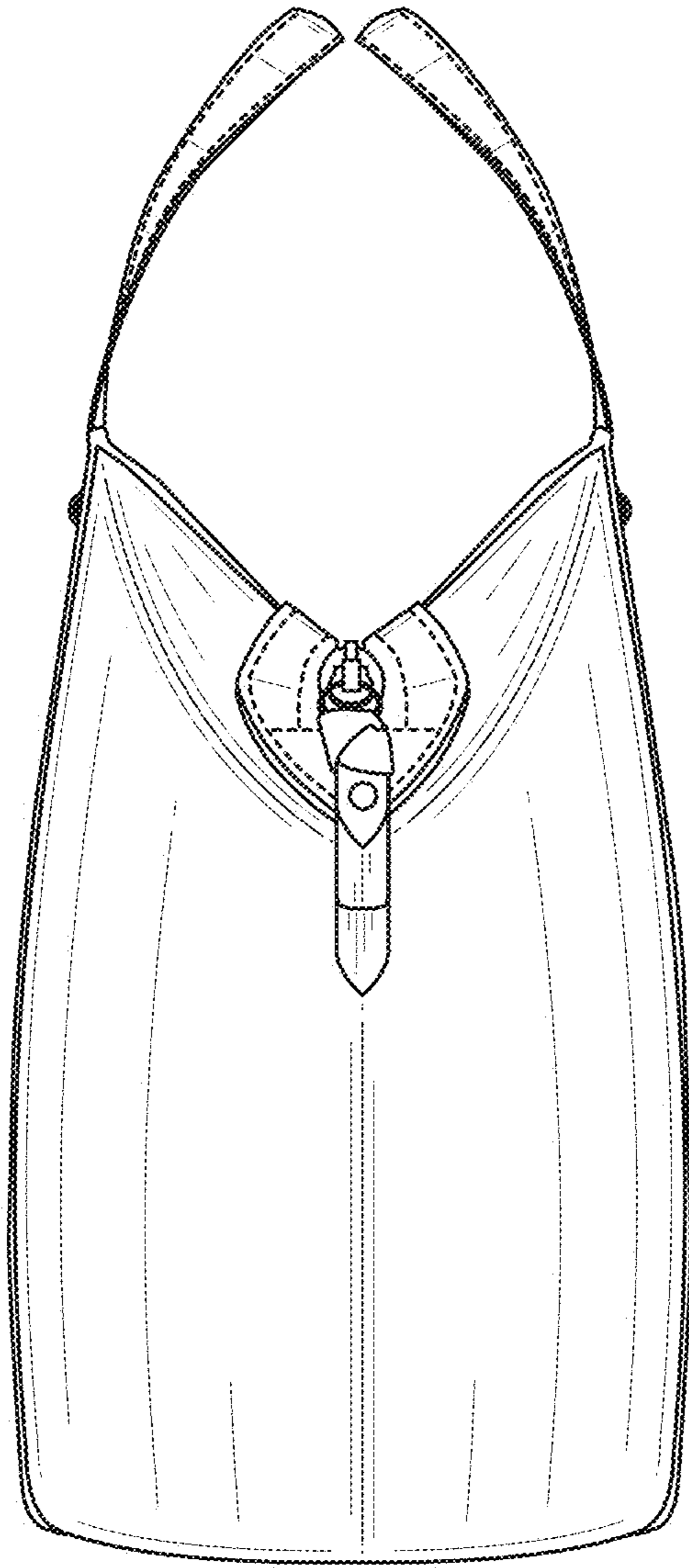
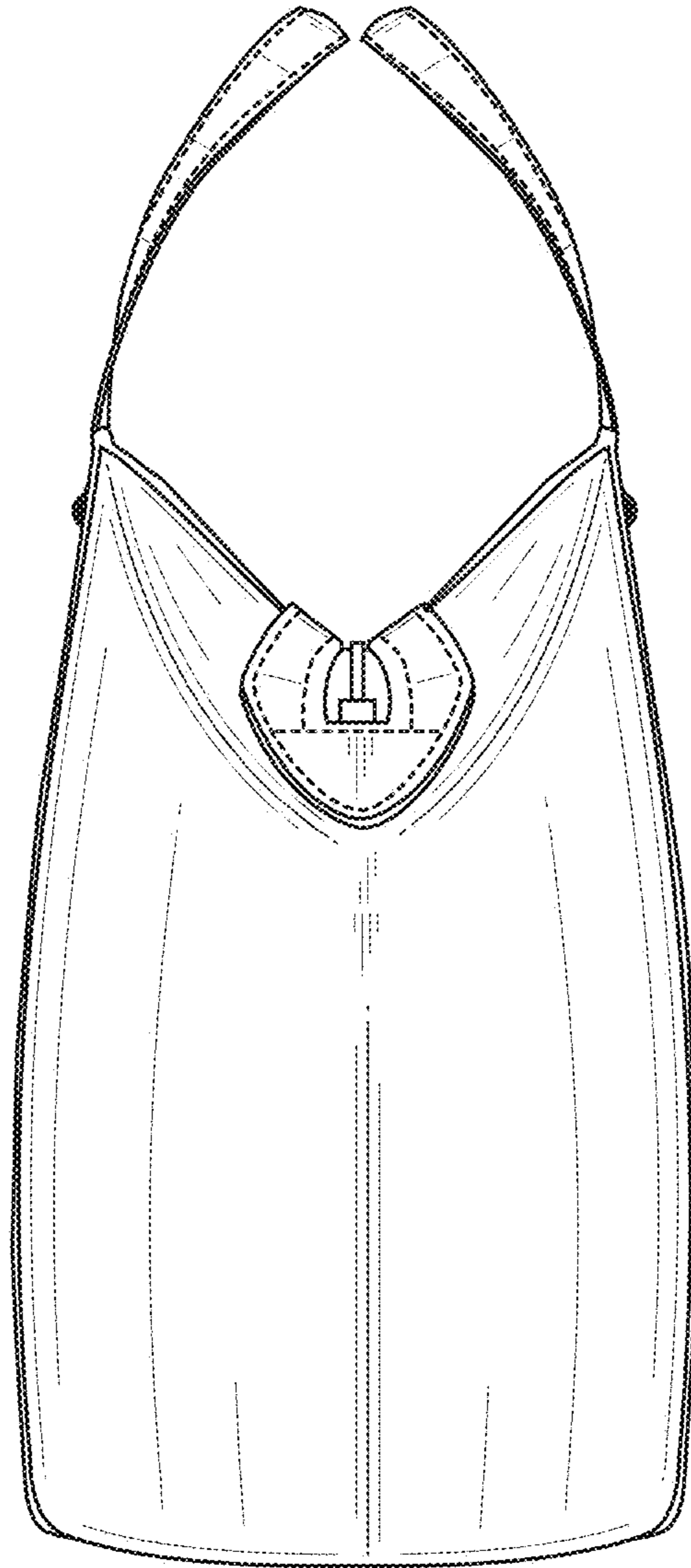


FIG. 3

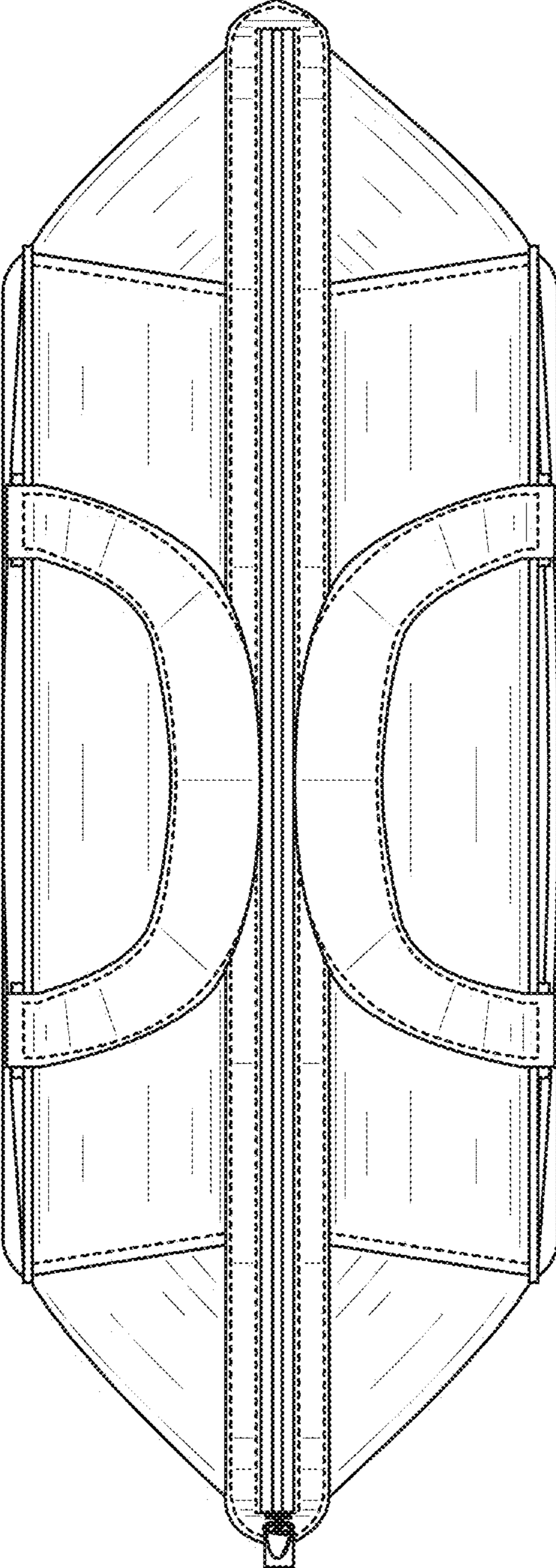




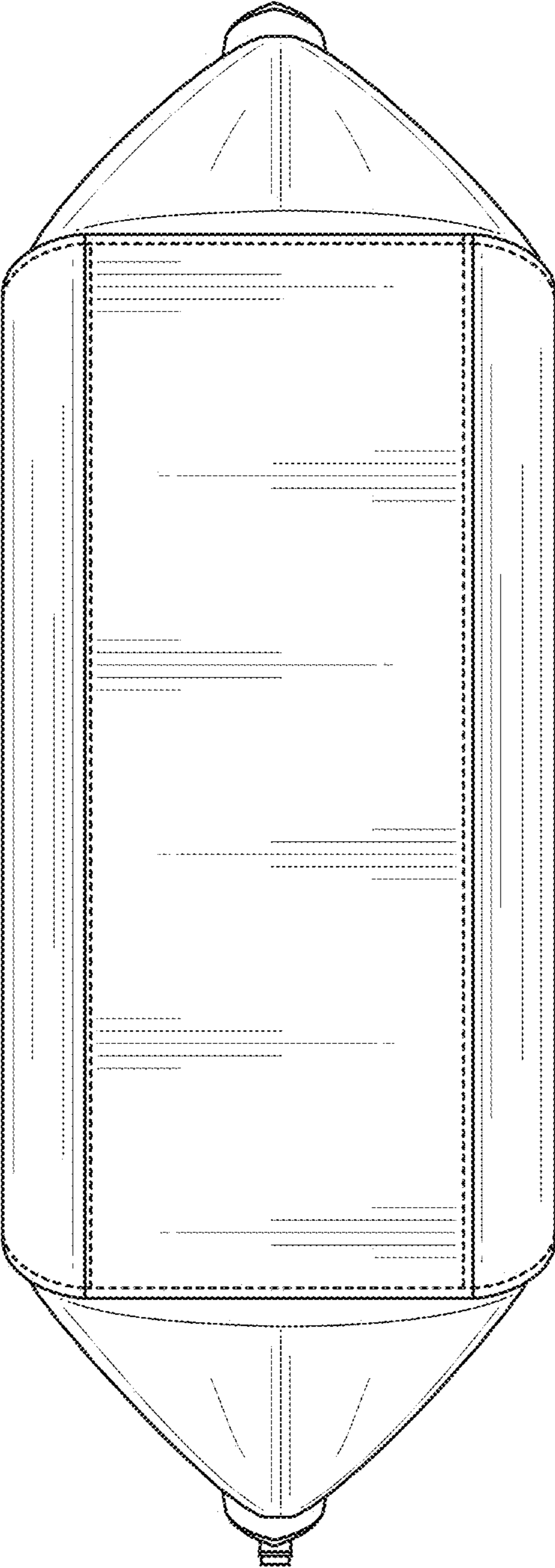
**FIG. 4**



**FIG. 5**



**FIG. 6**



**FIG. 7**