



US00D714048S

(12) **United States Design Patent**
Wang

(10) **Patent No.:** **US D714,048 S**

(45) **Date of Patent:** **** Sep. 30, 2014**

(54) **CLUTCH**

(71) Applicant: **Kate Spade LLC**, New York, NY (US)

(72) Inventor: **San Chyi Wang**, Bayside, NY (US)

(73) Assignee: **Kate Spade LLC**, New York, NY (US)

(**) Term: **14 Years**

(21) Appl. No.: **29/449,690**

(22) Filed: **Mar. 15, 2013**

(51) **LOC (10) Cl.** **03-01**

(52) **U.S. Cl.**

USPC **D3/232**

(58) **Field of Classification Search**

USPC D3/232–233, 240, 243, 247;
150/113–114, 117–119

See application file for complete search history.

(56) **References Cited**

U.S. PATENT DOCUMENTS

2,020,906 A * 11/1935 Rolfs 150/113
2,023,144 A * 12/1935 Miller 150/105
2,068,507 A * 1/1937 Nagel 150/103

2,127,067 A * 8/1938 Moss 150/104
3,831,651 A * 8/1974 Leahy 150/106
D572,468 S * 7/2008 Nair D3/232
D574,612 S * 8/2008 Gonzalez D3/232

* cited by examiner

Primary Examiner — Holly Baynham

(74) *Attorney, Agent, or Firm* — Norvell IP llc; Shyla Jones

(57) **CLAIM**

I claim the ornamental design for the clutch, as shown and described.

DESCRIPTION

FIG. 1 is a perspective view of the clutch of the present invention.

FIG. 2 is a front view of the invention shown in FIG. 1.

FIG. 3 is a rear view of the invention shown in FIG. 1.

FIG. 4 is a first side view of the invention shown in FIG. 1.

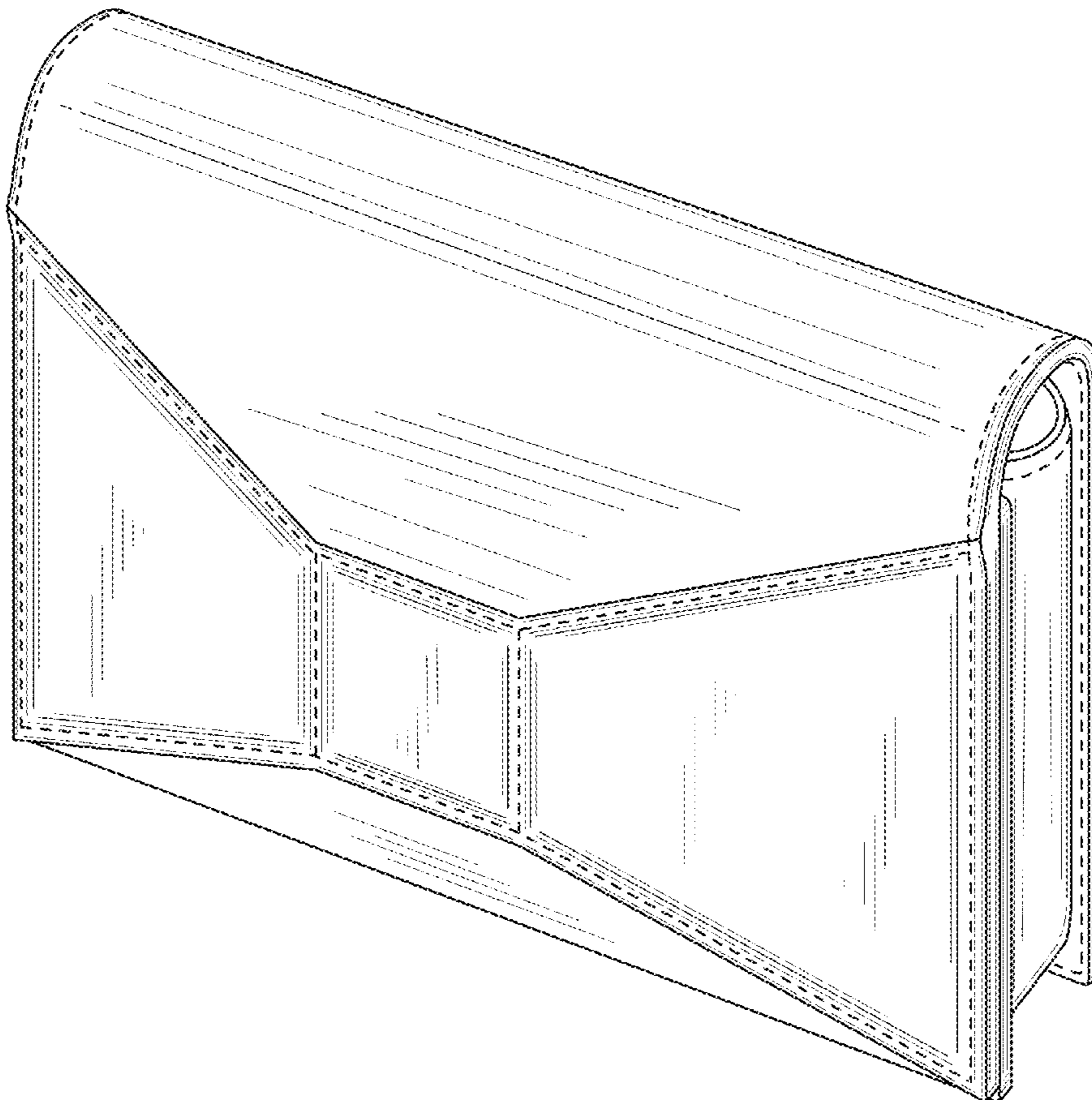
FIG. 5 is a second side view of the invention shown in FIG. 1.

FIG. 6 is a top view of the invention shown in FIG. 1; and,

FIG. 7 is a bottom view of the invention shown in FIG. 1.

The dotted lines shown in the drawings represent stitching and is part of the claimed design.

1 Claim, 5 Drawing Sheets



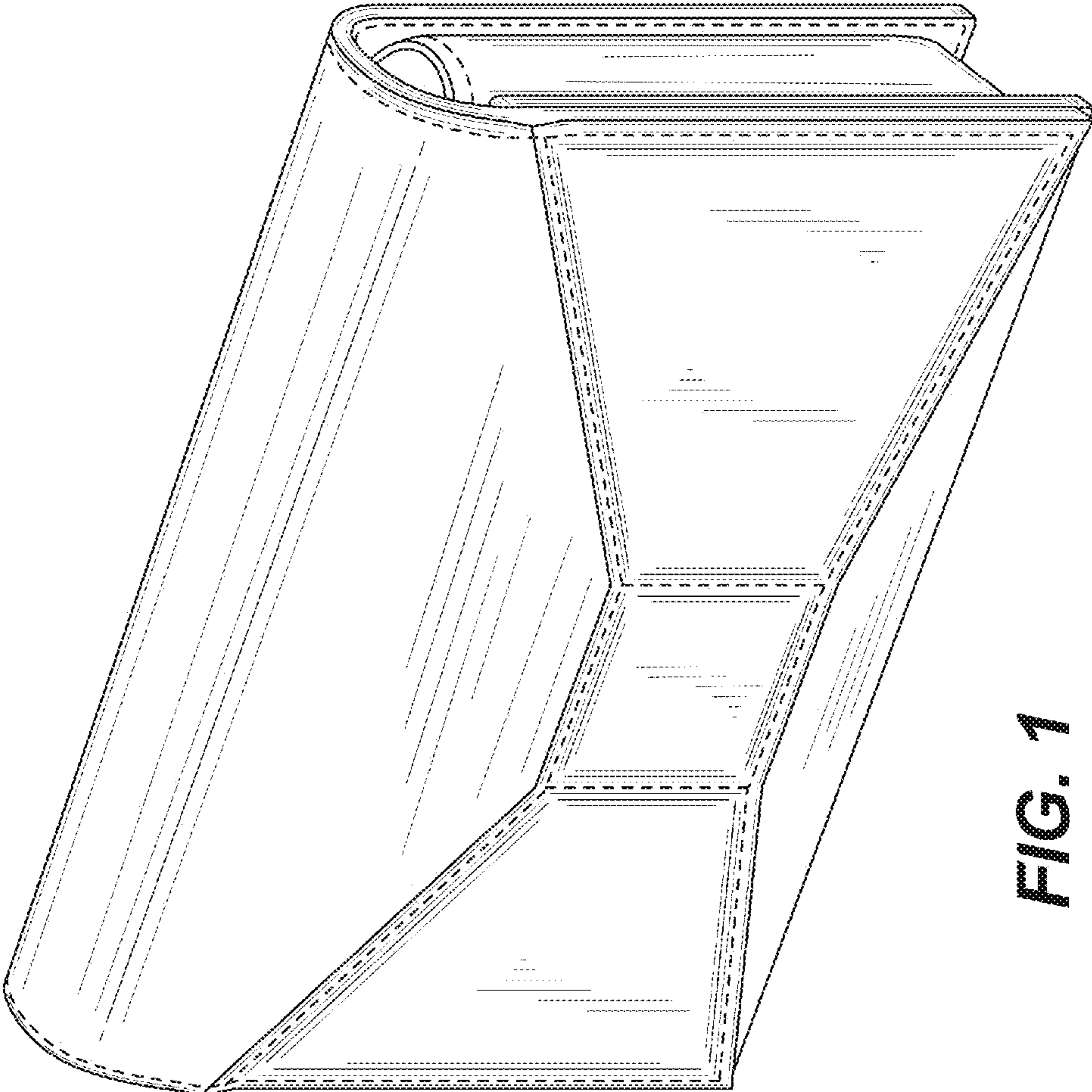


FIG. 1

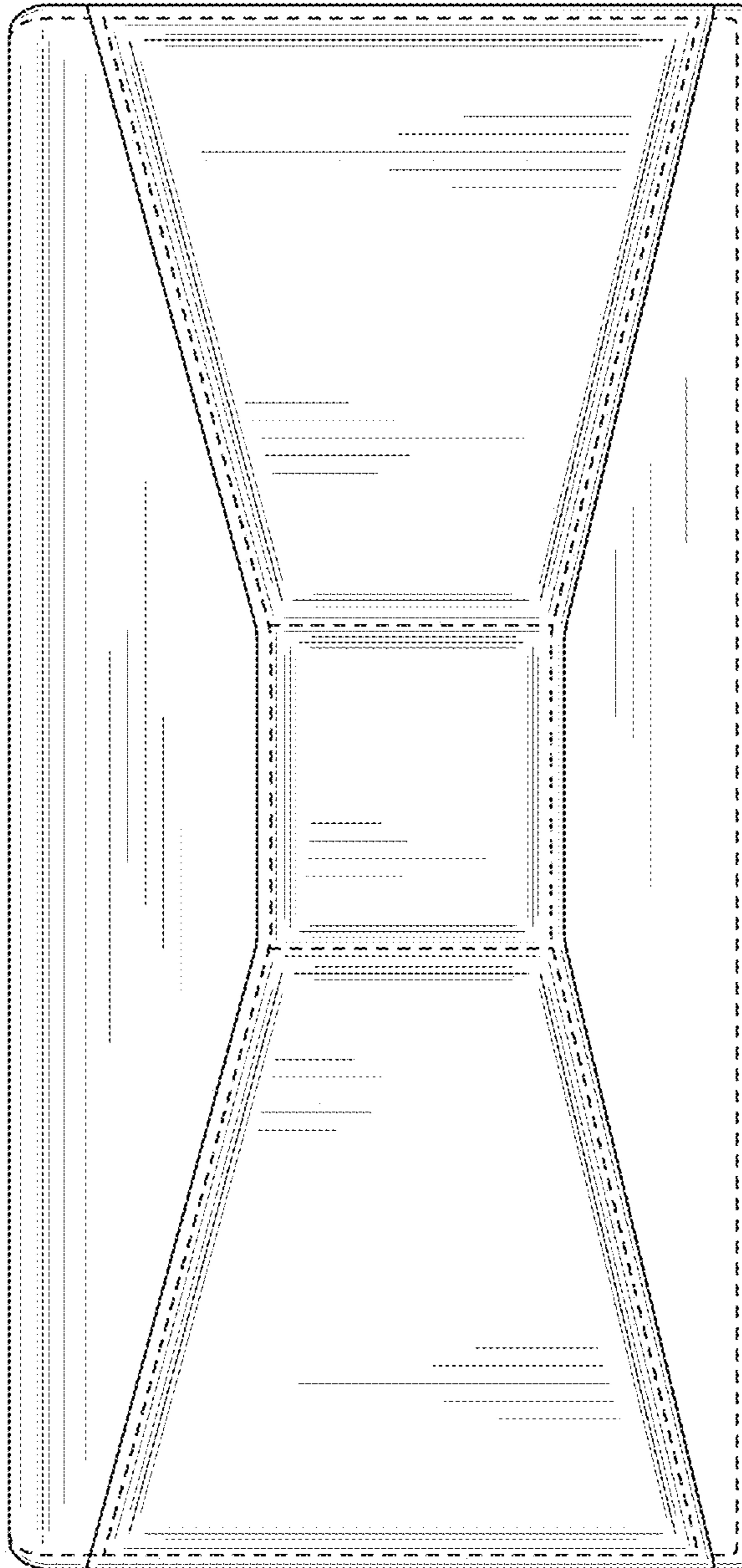


FIG. 2

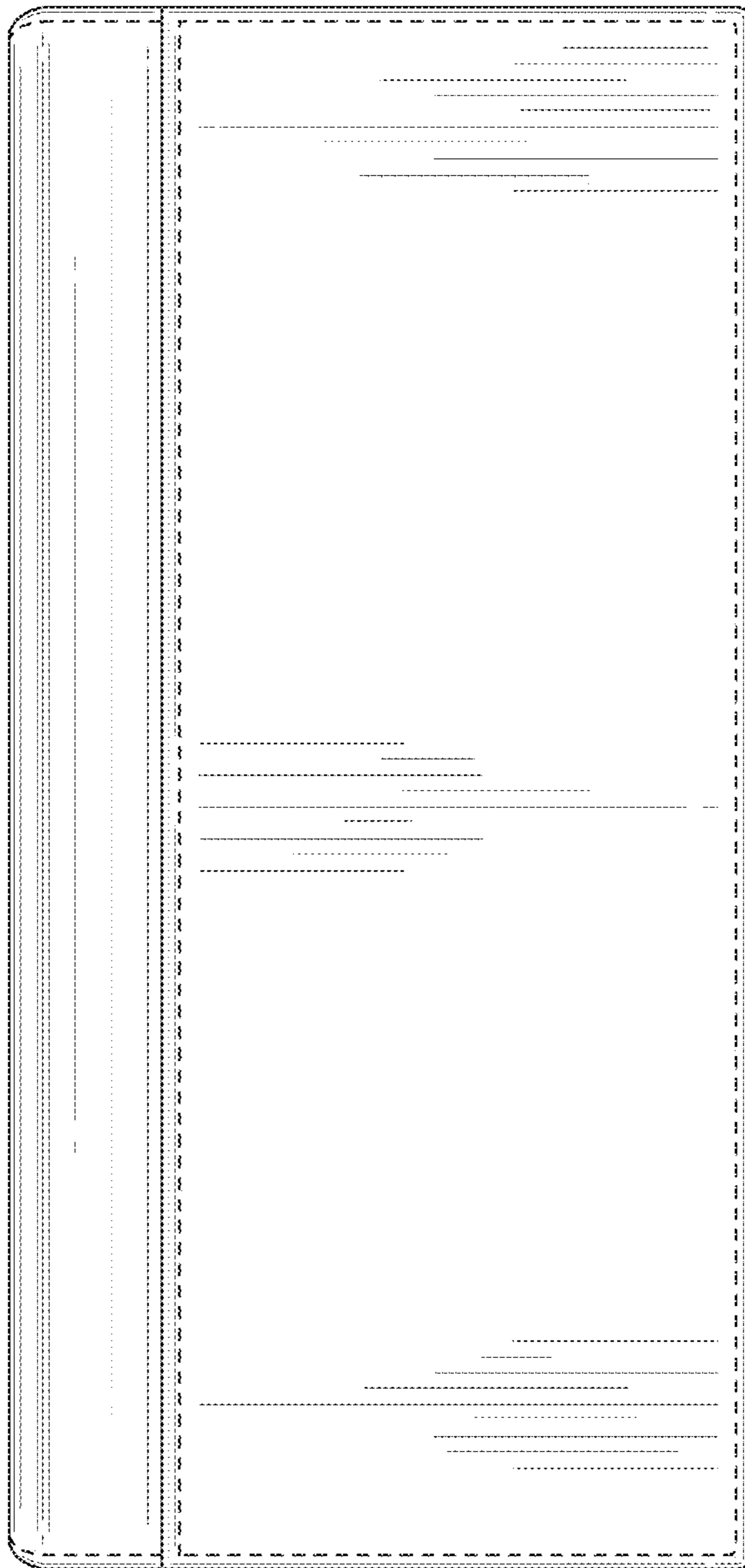


FIG. 3

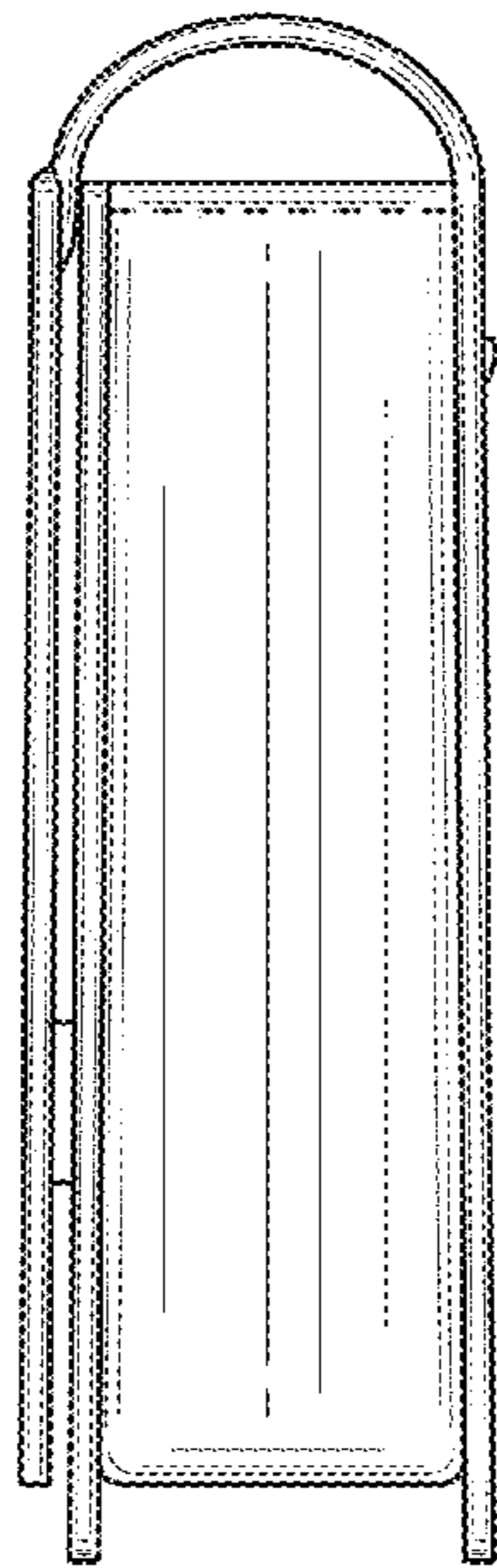


FIG. 4

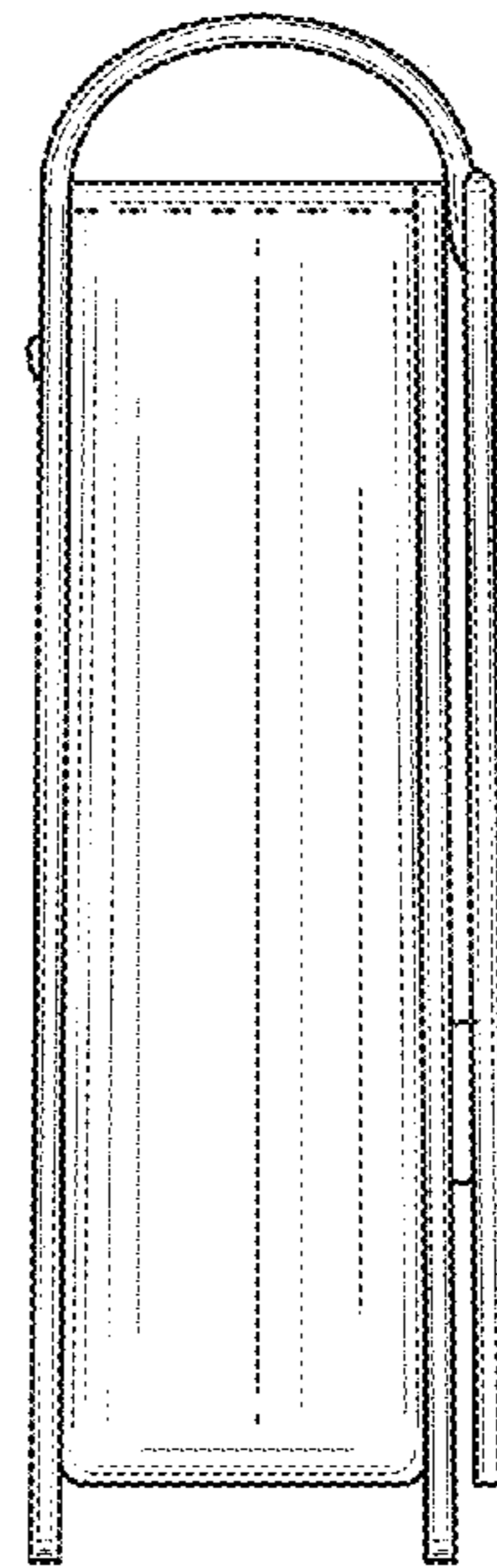


FIG. 5

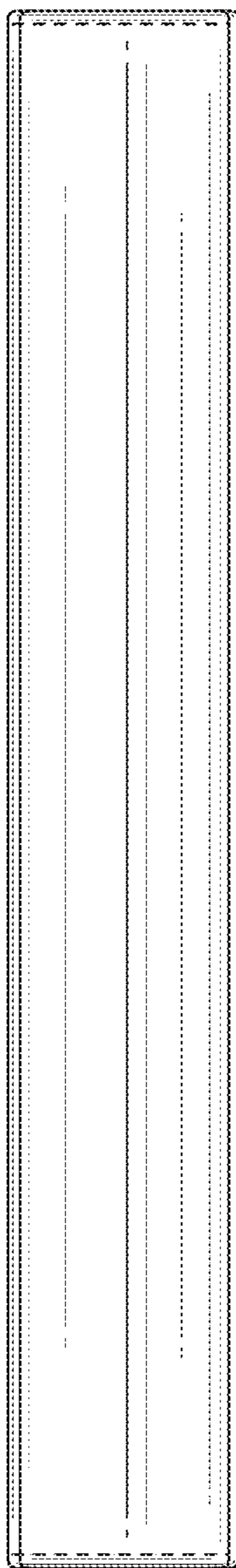


FIG. 6

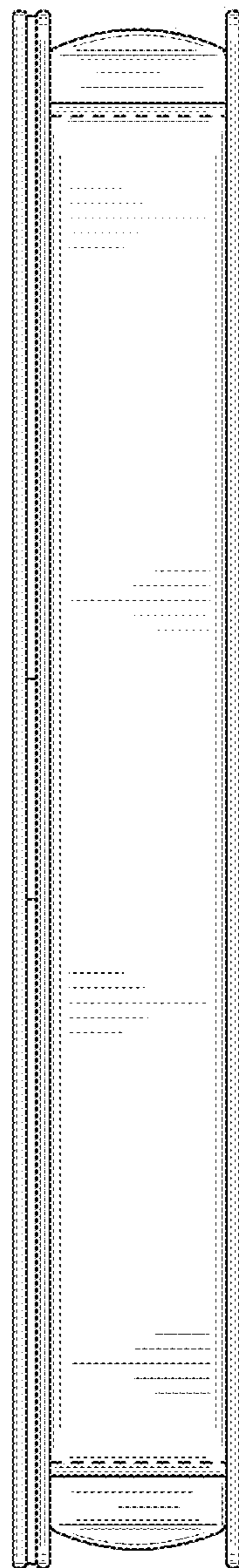


FIG. 7