



US00D714047S

(12) **United States Design Patent**  
**Ko**

(10) **Patent No.:** **US D714,047 S**

(45) **Date of Patent:** **\*\* Sep. 30, 2014**

(54) **SAW SHEATH**

(71) Applicant: **Kuo-Chi Ko**, Puyan Township,  
Changhua County (TW)

(72) Inventor: **Kuo-Chi Ko**, Puyan Township,  
Changhua County (TW)

(\*\*) Term: **14 Years**

(21) Appl. No.: **29/468,507**

(22) Filed: **Oct. 1, 2013**

(30) **Foreign Application Priority Data**

Aug. 14, 2013 (TW) ..... 102215277

(51) **LOC (10) Cl.** ..... **03-01**

(52) **U.S. Cl.**  
USPC ..... **D3/220**

(58) **Field of Classification Search**  
USPC ..... D3/220, 269; 30/143, 391, 504;  
206/317, 349, 521, 564; D8/71, 95;  
224/232, 576

See application file for complete search history.

(56) **References Cited**

**U.S. PATENT DOCUMENTS**

2,792,163 A \* 5/1957 Kidwell ..... 30/504  
D414,330 S \* 9/1999 Eriksson et al. .... D3/220

6,076,261 A \* 6/2000 Eriksson et al. .... 30/151  
D501,080 S \* 1/2005 Tran ..... D3/220  
D508,317 S \* 8/2005 Kanzawa ..... D3/220  
D514,312 S \* 2/2006 Kanzawa ..... D3/220  
D518,952 S \* 4/2006 Tran ..... D3/220

\* cited by examiner

*Primary Examiner* — Catheri Oliver-Garcia

(74) *Attorney, Agent, or Firm* — Muncy, Geissler, Olds &  
Lowe, P.C.

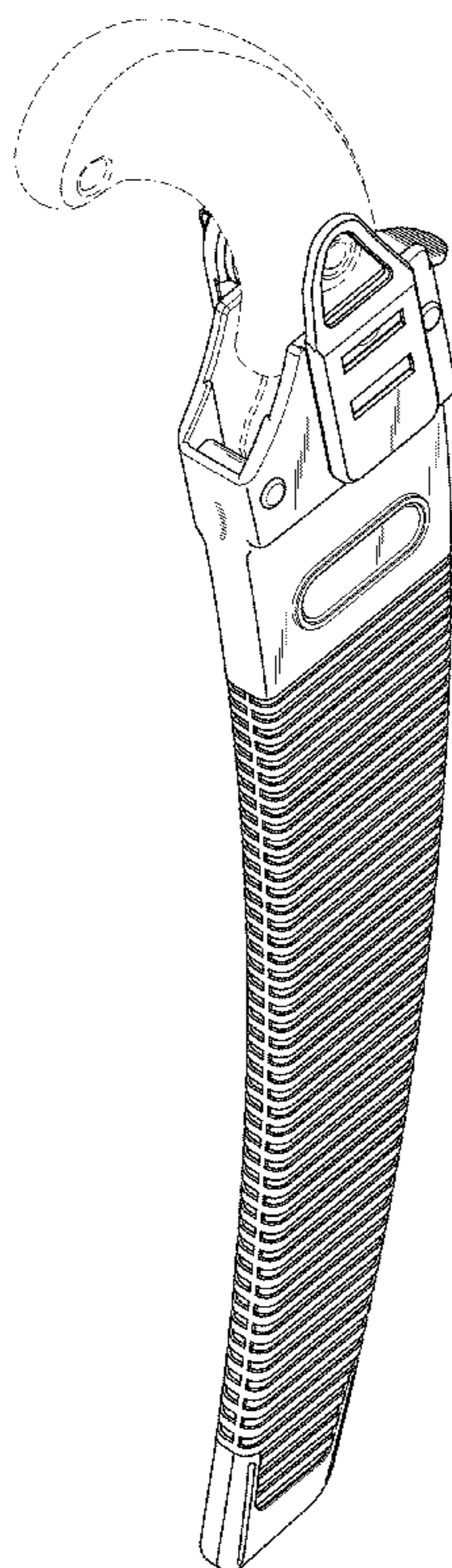
(57) **CLAIM**

The ornamental design for a saw sheath, as shown and  
described.

**DESCRIPTION**

FIG. 1 shows a perspective view of the present design.  
FIG. 2 shows a right view of the present design.  
FIG. 3 shows a left view of the present design.  
FIG. 4 shows a front view of the present design.  
FIG. 5 shows a rear view of the present design.  
FIG. 6 shows a top view of the present design.  
FIG. 7 shows a bottom view of the present design; and,  
FIG. 8 is a perspective view of the saw sheath of the present  
design in cooperation with a saw blade.  
The broken lines showing of structural feature is indeed for  
the purpose of illustrating non-claimed subject matter and  
forms no part of the claimed design.

**1 Claim, 5 Drawing Sheets**



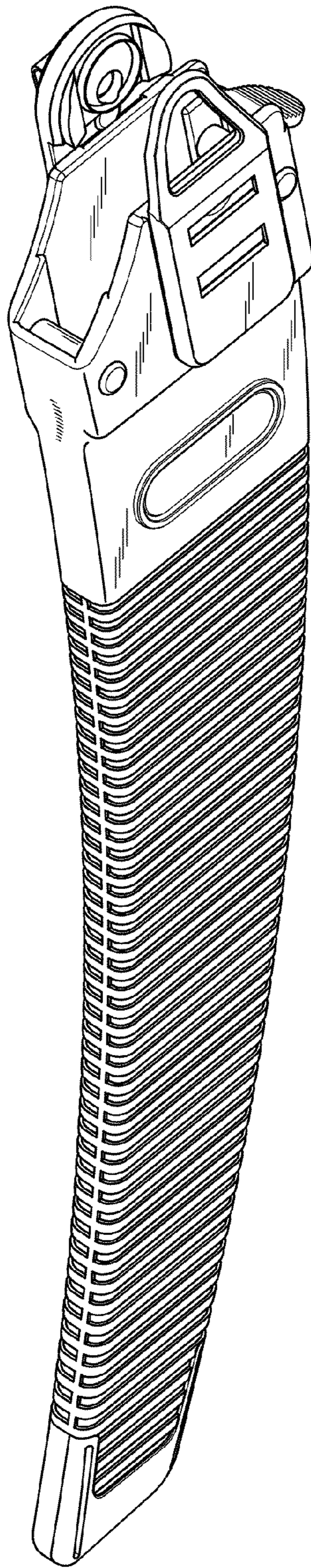


FIG. 1



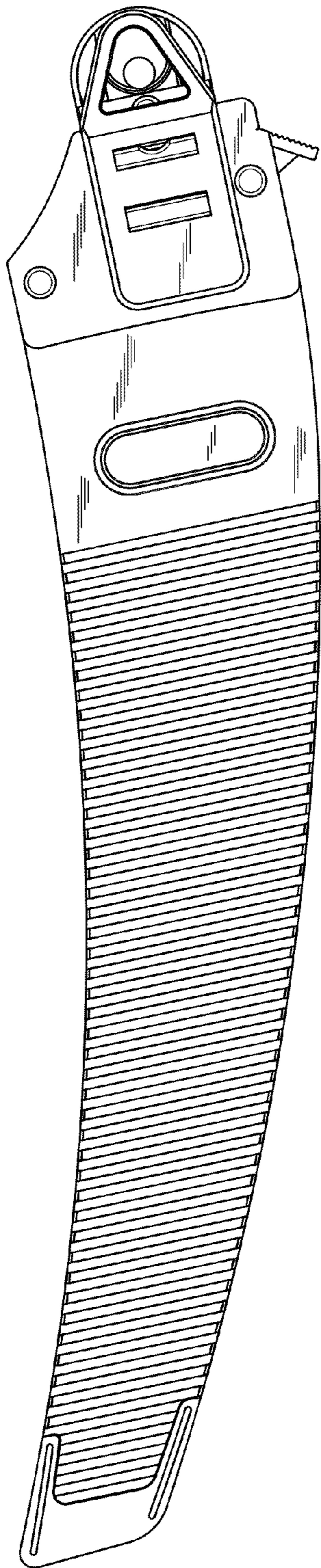


FIG. 2

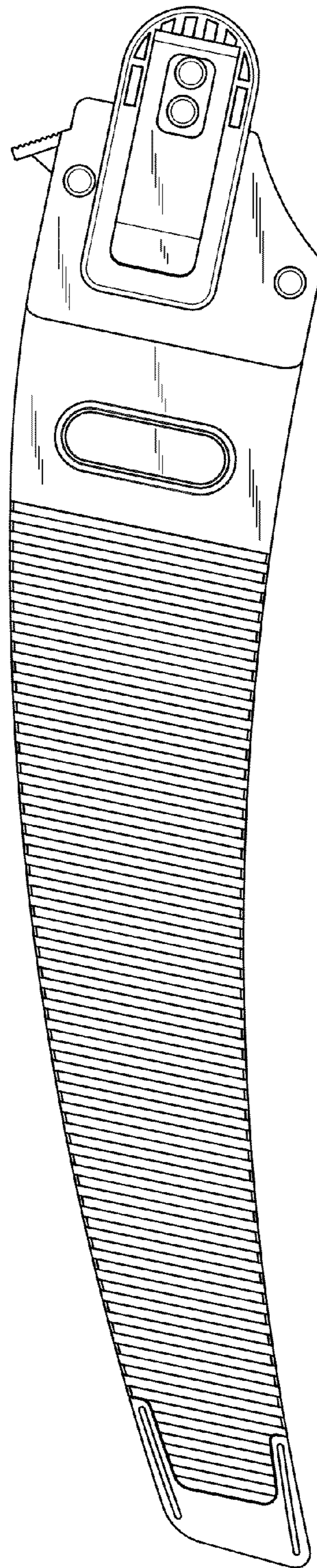


FIG. 3

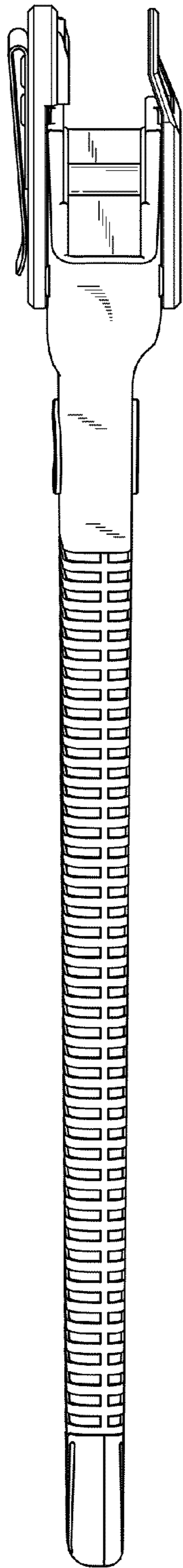


FIG. 4

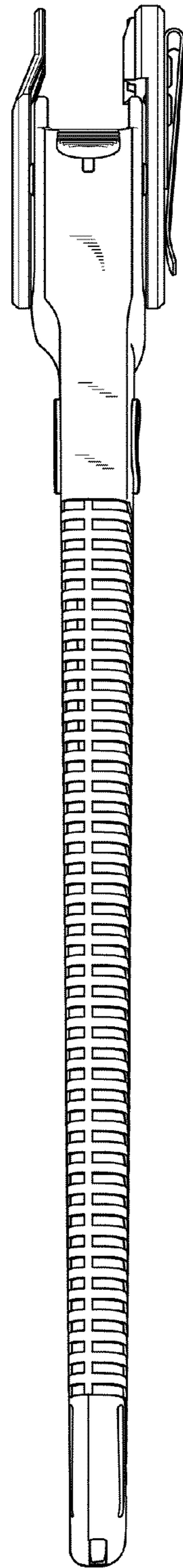


FIG. 5

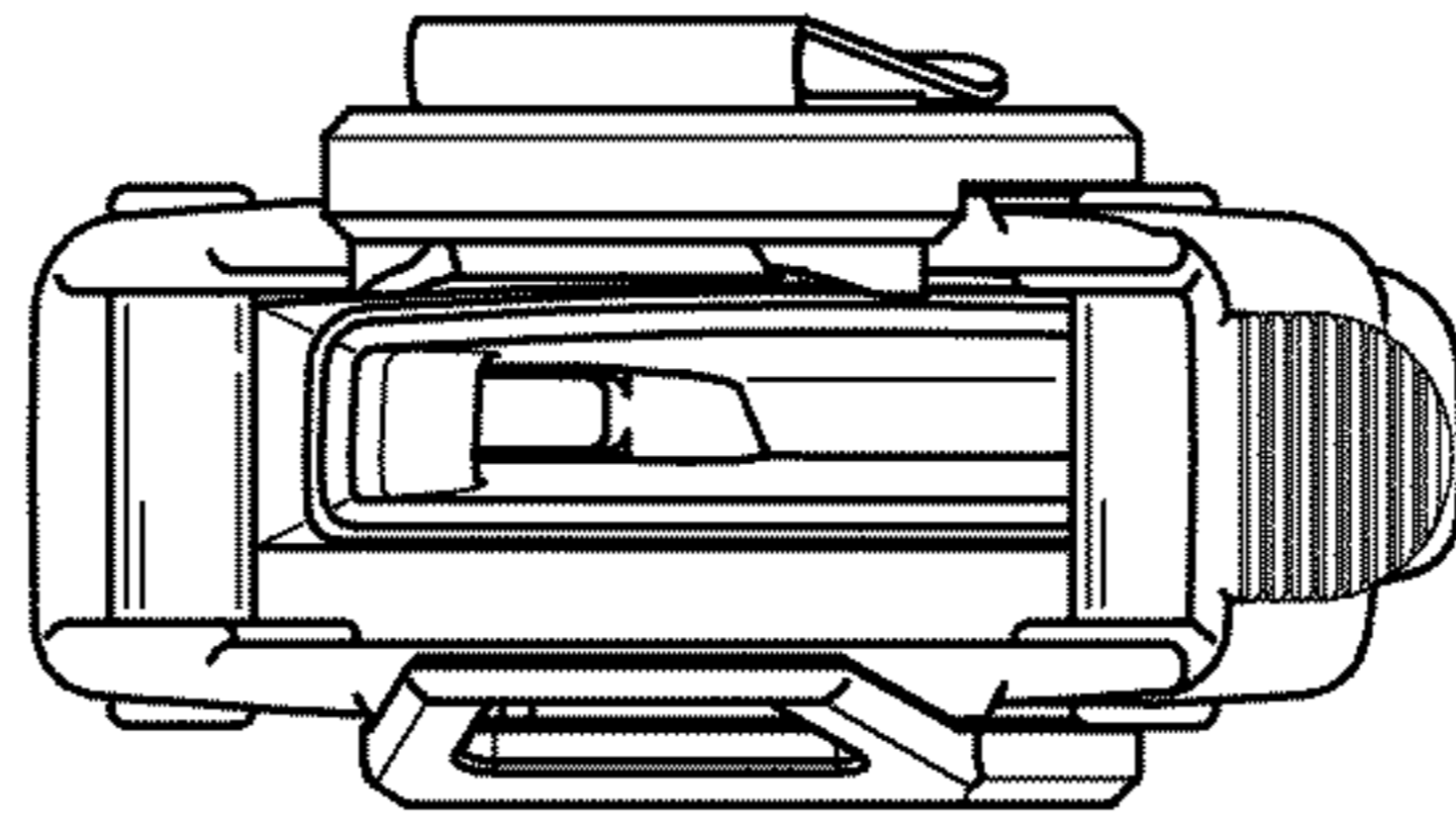


FIG. 6

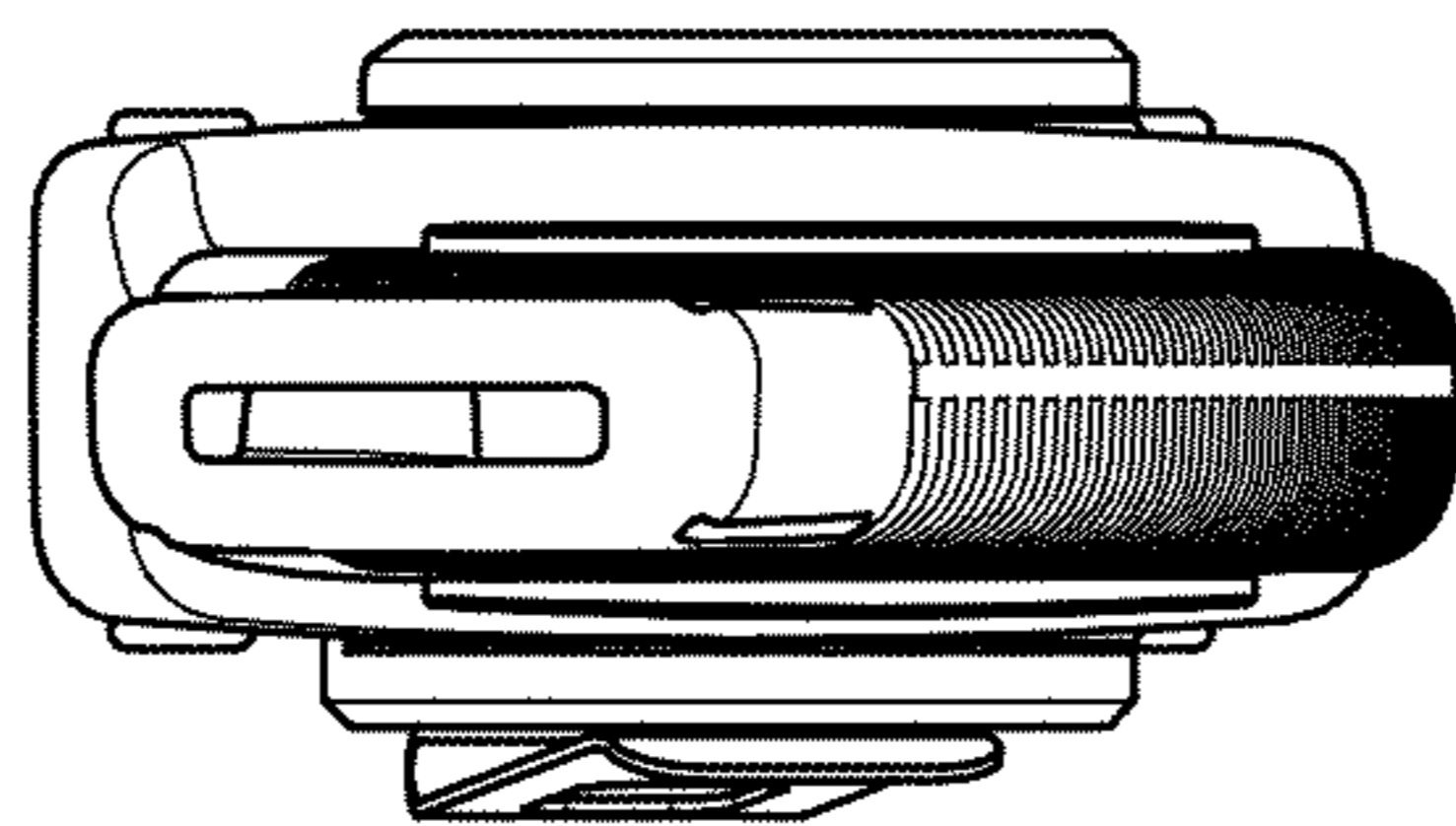


FIG. 7

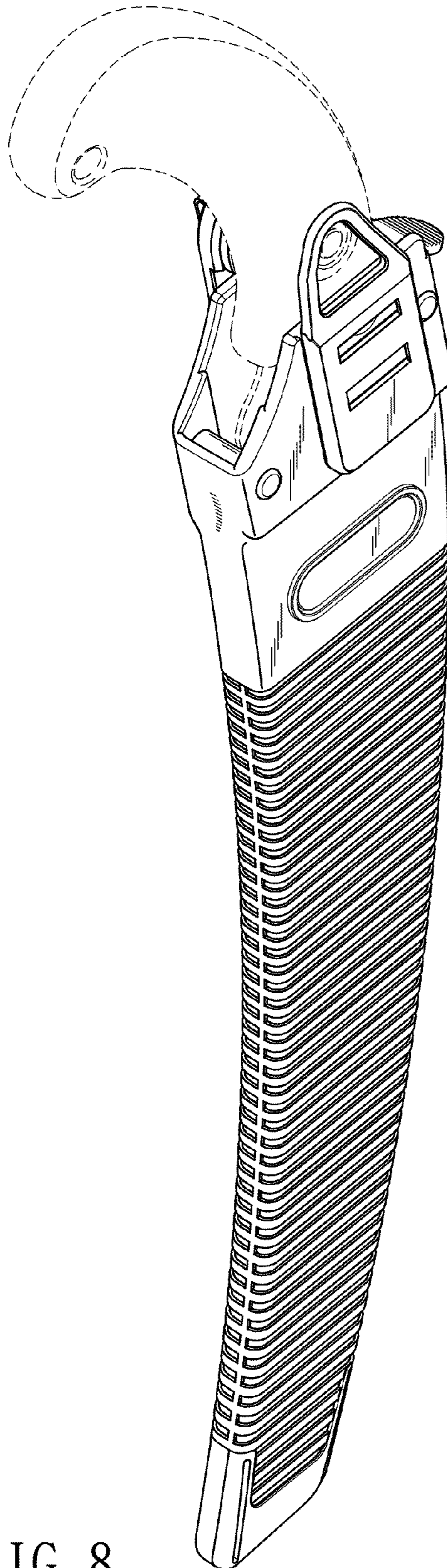


FIG. 8