



US00D714033S

(12) **United States Design Patent**
Della Valle et al.

(10) **Patent No.:** **US D714,033 S**
(45) **Date of Patent:** **** Sep. 30, 2014**

- (54) **SHOE**
- (75) Inventors: **Andrea Della Valle**, Sant'Elpidio a Mare (IT); **Nicole Brundage**, San Antonio, TX (US)
- (73) Assignee: **TOD's S.p.A.**, Sant'Elpidio a Mare (Fermo) (IT)
- (**) Term: **14 Years**
- (21) Appl. No.: **29/422,644**
- (22) Filed: **May 22, 2012**
- (51) **LOC (10) Cl.** **02-04**
- (52) **U.S. Cl.**
USPC **D2/930**
- (58) **Field of Classification Search**
USPC D2/896, 909-913, 919, 925-942, 946, D2/969, 970, 971; 36/1, 7.5-7.8, 83, 8.3, 36/45-58, 104, 108, 76 R
See application file for complete search history.

- D593,741 S 6/2009 Vico et al.
- D604,482 S 11/2009 Fletcher
- D611,232 S 3/2010 Della Valle et al.
- D624,739 S 10/2010 Della Valle et al.
- D626,312 S 11/2010 Della Valle et al.
- D634,520 S 3/2011 Choi
- D636,155 S 4/2011 Della Valle et al.
- D641,145 S 7/2011 Della Valle et al.
- D659,358 S 5/2012 Van Zyll De Jong et al.
- D659,359 S 5/2012 Van Zyll De Jong et al.
- D680,714 S 4/2013 Della Valle et al.
- D681,314 S 5/2013 Dumain
- D681,315 S 5/2013 Della Valle et al.
- D681,316 S 5/2013 Della Valle et al.
- D681,317 S 5/2013 Della Valle et al.
- 2008/0263905 A1 10/2008 Tai
- 2013/0031805 A1 2/2013 Crowley et al.

OTHER PUBLICATIONS

U.S. Appl. No. 29/422,635, filed May 22, 2012, Shoe Sole.
U.S. Appl. No. 29/448,628, filed Mar. 13, 2013, Shoe.

* cited by examiner

Primary Examiner — Dominic Simone
(74) *Attorney, Agent, or Firm* — Knobbe, Martens, Olson & Bear LLP

(56) **References Cited**

U.S. PATENT DOCUMENTS

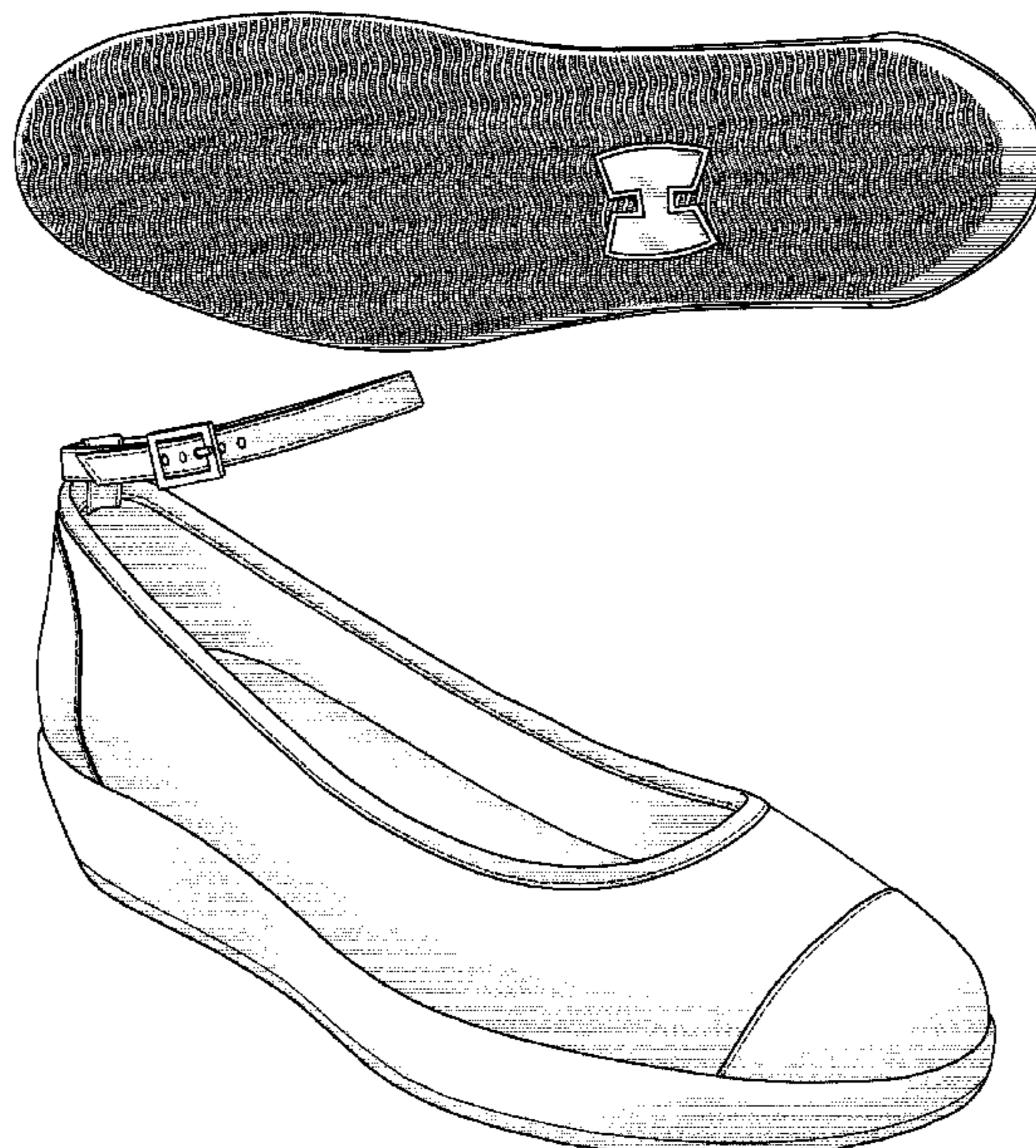
- D91,707 S * 3/1934 DeLiso D2/930
- D92,203 S * 5/1934 Perugia D2/930
- D102,193 S * 12/1936 Perugia D2/931
- D109,853 S * 5/1938 Rosenberg D2/919
- D149,683 S * 5/1948 Sandler D2/930
- D149,695 S * 5/1948 Sandler D2/930
- D163,185 S * 5/1951 Joyce D2/930
- D254,397 S 3/1980 Finn
- D454,425 S 3/2002 Boncutter
- D461,295 S 8/2002 Pollastrelli
- D474,580 S 5/2003 Pollastrelli
- D480,540 S 10/2003 Hoyt et al.
- D540,516 S 4/2007 Weitzman
- D577,180 S 9/2008 Della Valle
- D577,181 S 9/2008 Della Valle
- D592,837 S 5/2009 Vico et al.

(57) **CLAIM**
The ornamental design for the shoe, as shown.

DESCRIPTION

FIG. 1 is a front elevational view of a shoe showing the new design.
FIG. 2 is a rear elevational view thereof.
FIG. 3 is a left side elevational view thereof.
FIG. 4 is a right side elevational view thereof.
FIG. 5 is a top plan view thereof.
FIG. 6 is a bottom plan view thereof; and,
FIG. 7 is a perspective view thereof.

1 Claim, 5 Drawing Sheets



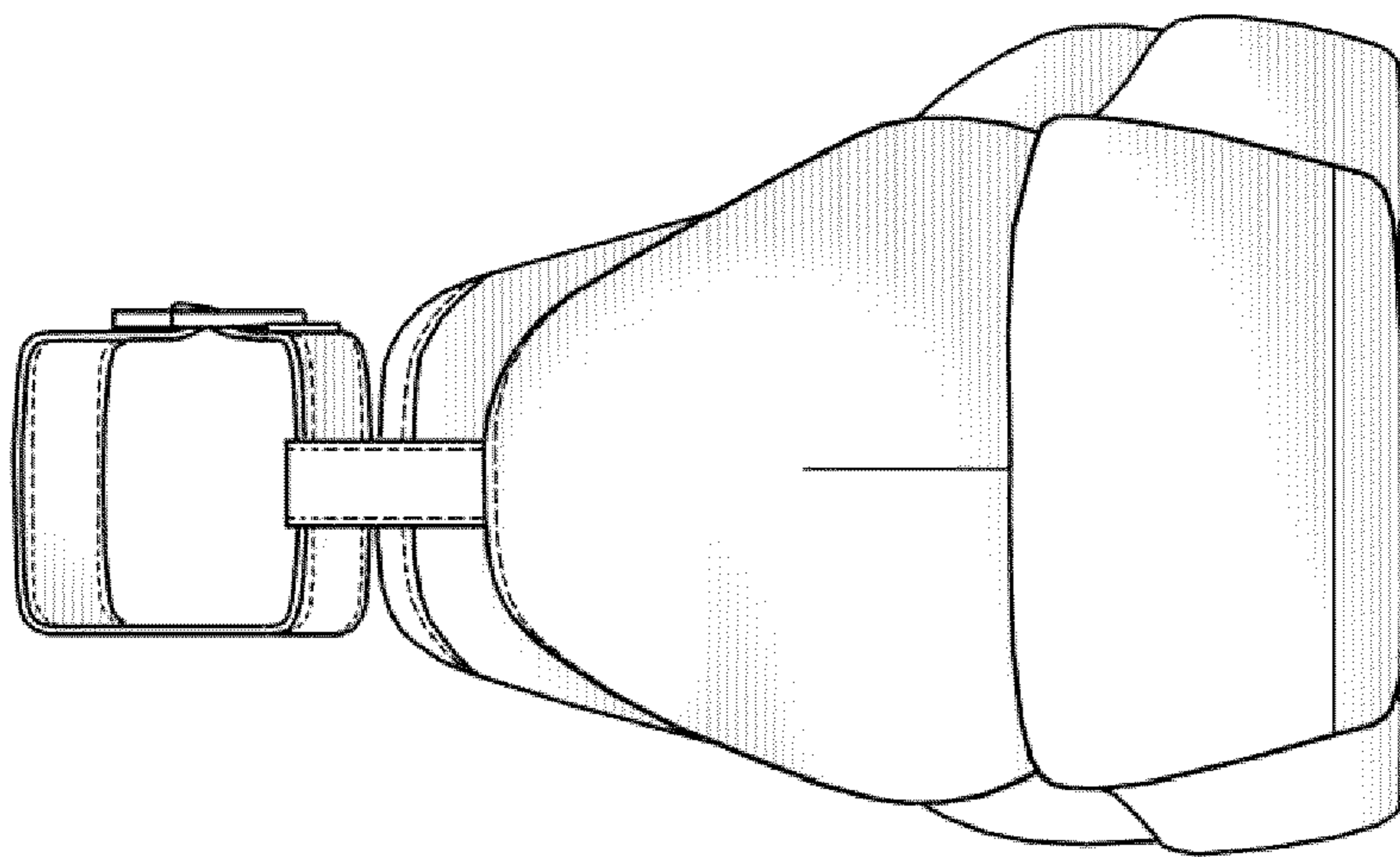


FIG. 2

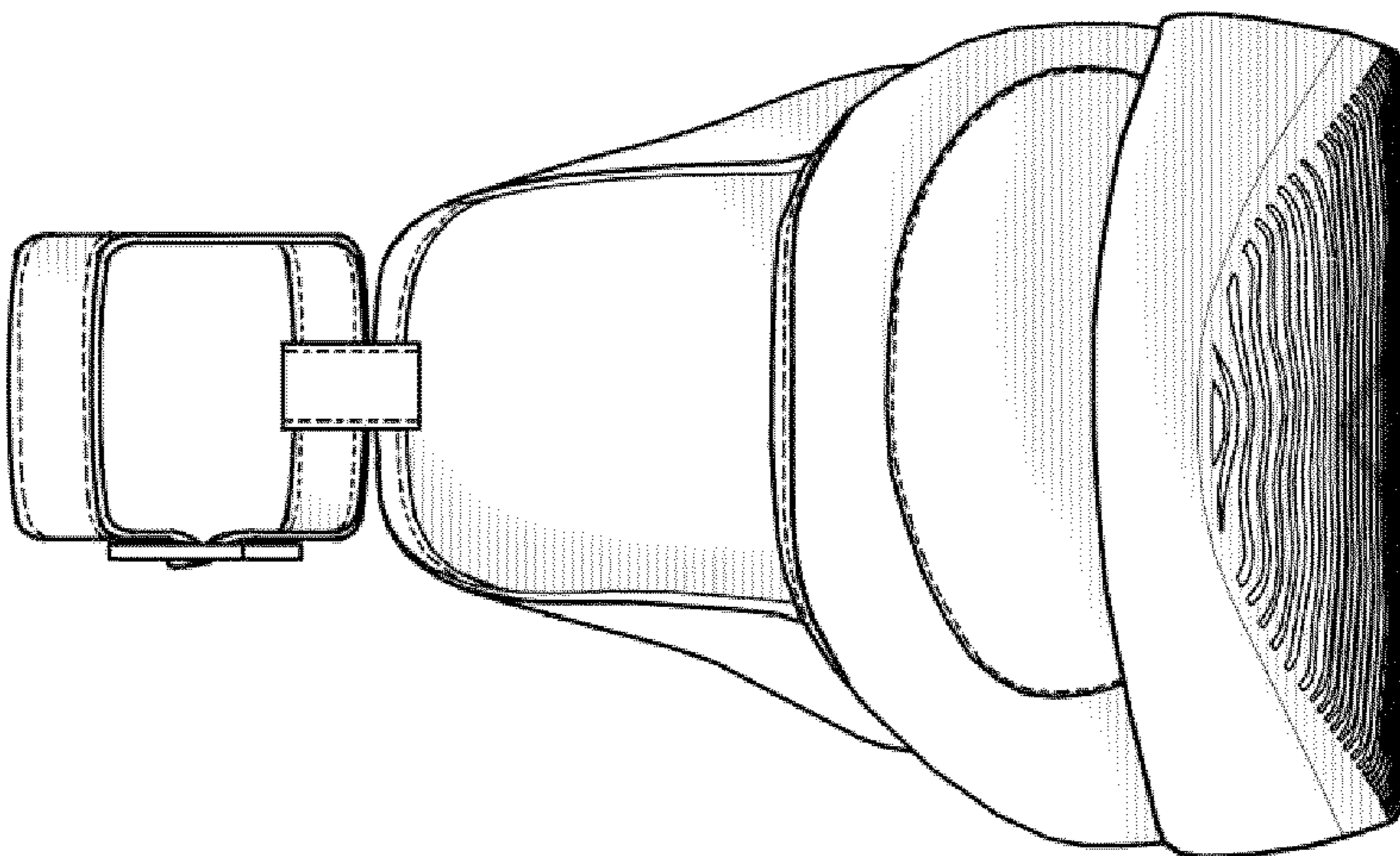


FIG. 1

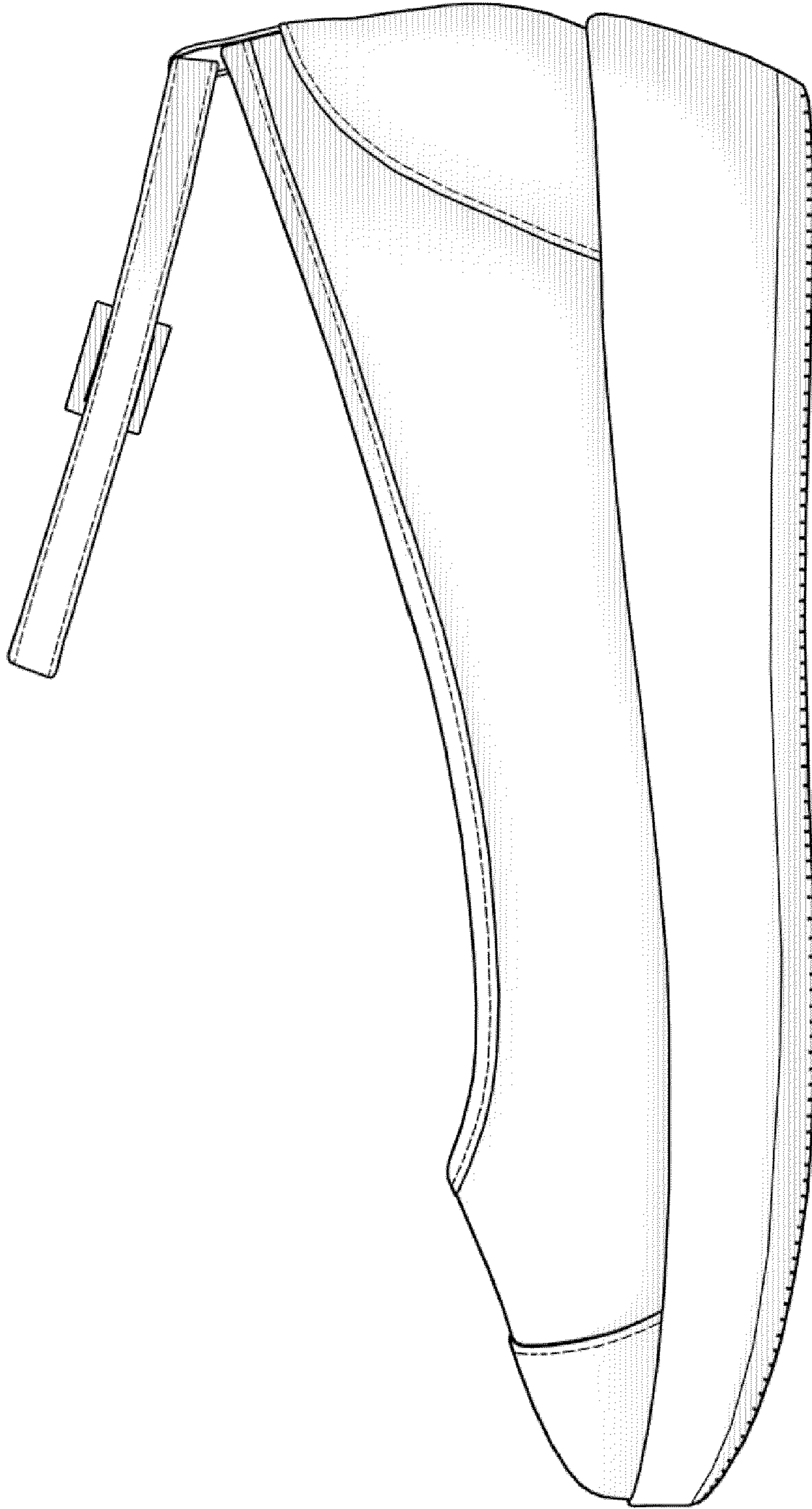


FIG. 3

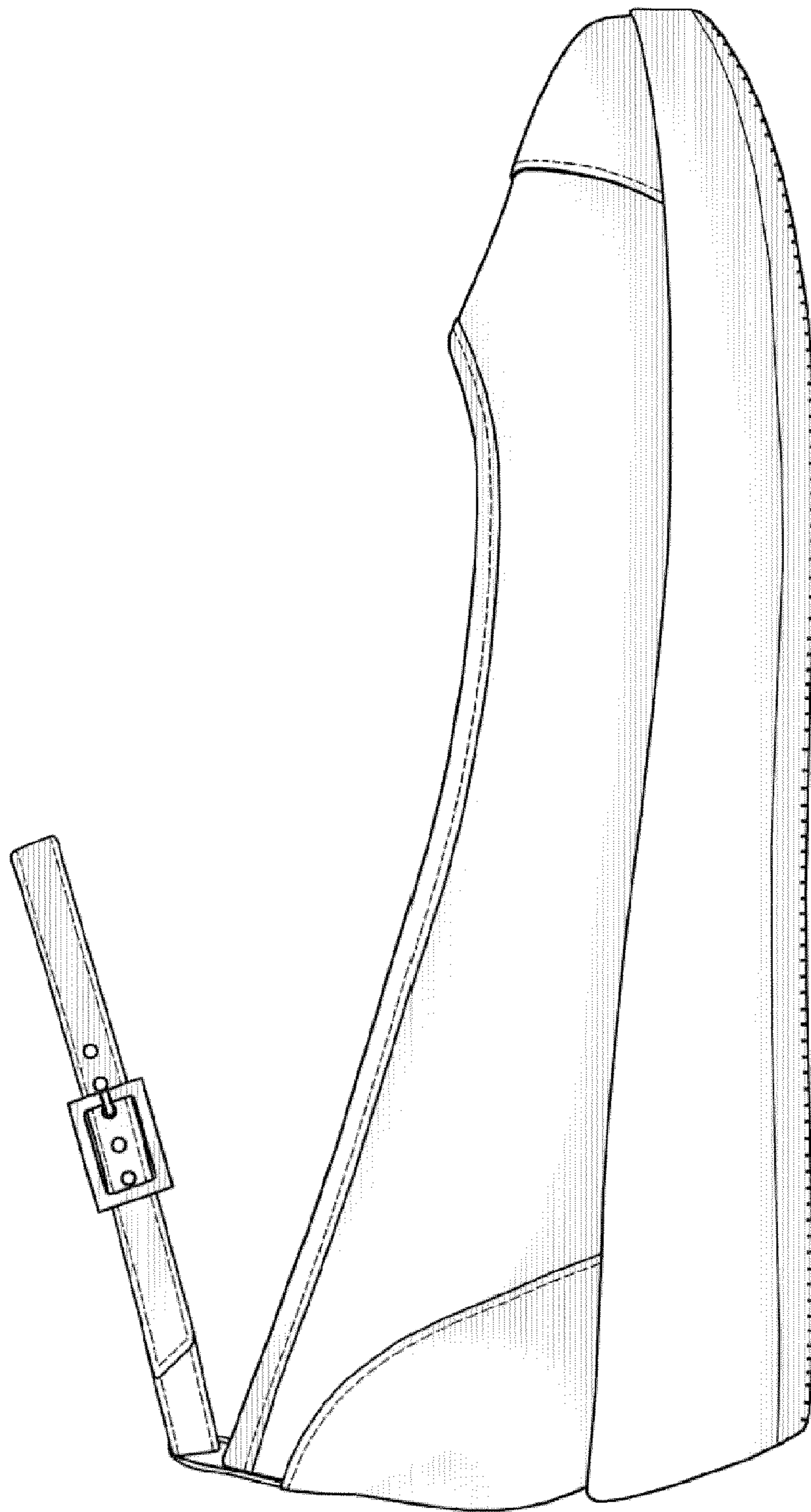


FIG. 4

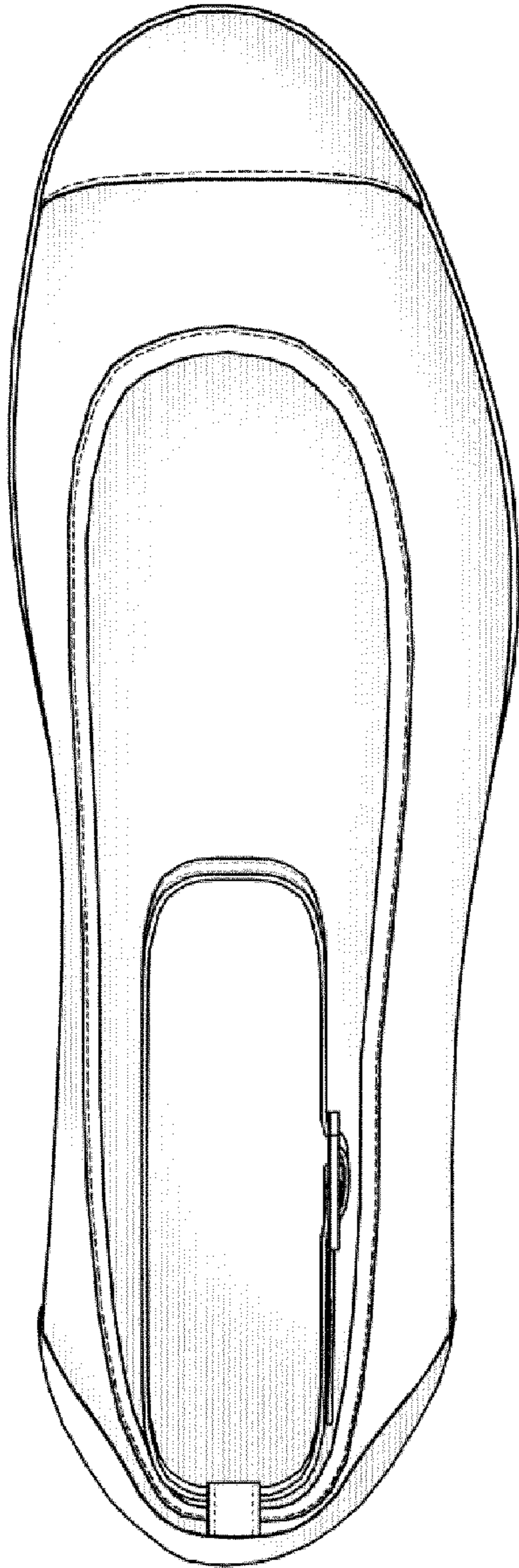


FIG. 5

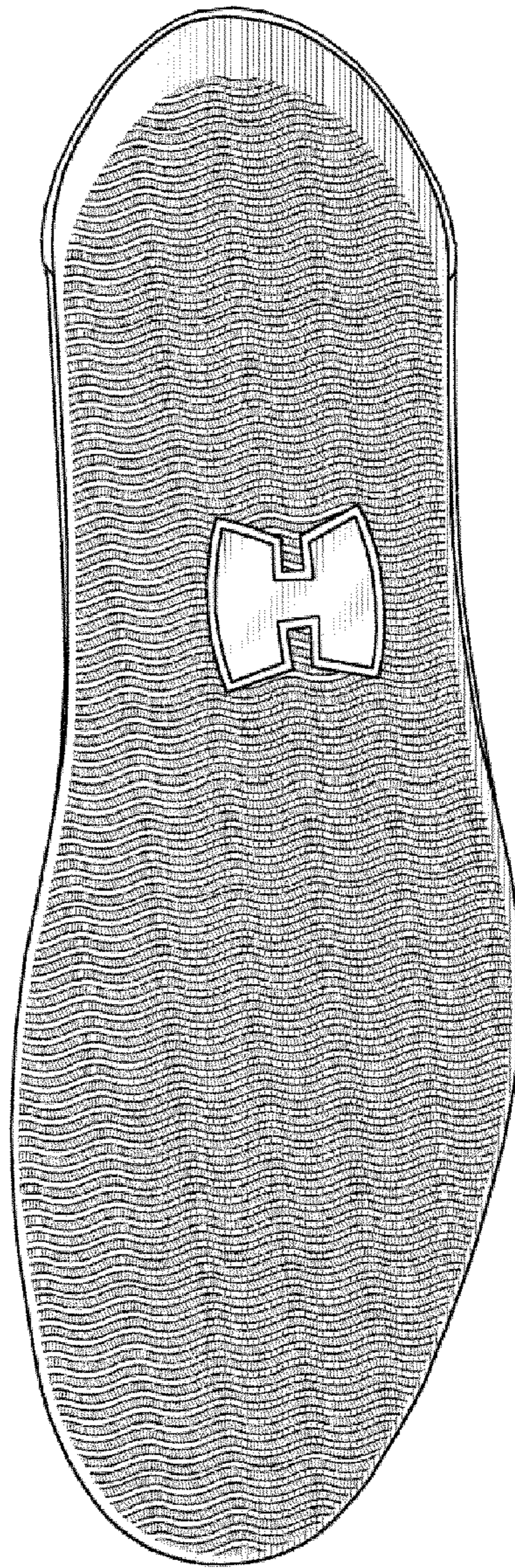
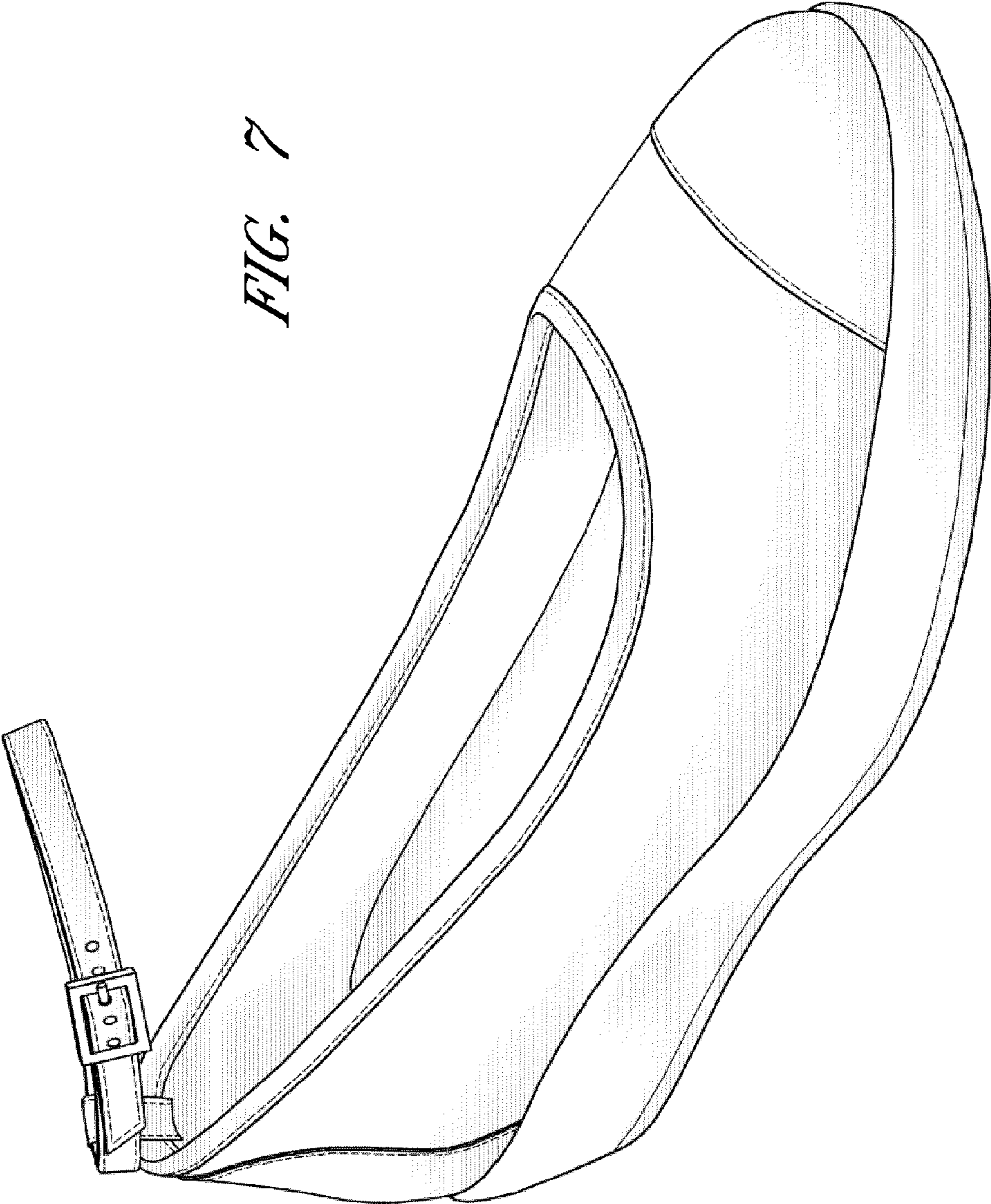


FIG. 6

FIG. 7



UNITED STATES PATENT AND TRADEMARK OFFICE
CERTIFICATE OF CORRECTION

PATENT NO. : D714,033 S
APPLICATION NO. : 29/422644
DATED : September 30, 2014
INVENTOR(S) : Della Valle et al.

Page 1 of 1

It is certified that error appears in the above-identified patent and that said Letters Patent is hereby corrected as shown below:

On the title page item [30], insert:

--Foreign Application Priority Data

Nov. 24, 2011 (EM)001952540--

Signed and Sealed this
Thirtieth Day of June, 2015



Michelle K. Lee
Director of the United States Patent and Trademark Office