

US00D714015S

(12) **United States Design Patent**
Hyde

(10) **Patent No.:** **US D714,015 S**

(45) **Date of Patent:** **** Sep. 23, 2014**

- (54) **DEVICE FOR SECURING A FIREARM**
- (71) Applicant: **RPH Engineering, LLC**, Lehi, UT (US)
- (72) Inventor: **Ryan P. Hyde**, Lehi, UT (US)
- (73) Assignee: **RPH Engineering**, Lehi, UT (US)
- (**) Term: **14 Years**
- (21) Appl. No.: **29/466,804**
- (22) Filed: **Sep. 11, 2013**
- (51) **LOC (10) Cl.** **99-00**
- (52) **U.S. Cl.**
USPC **D99/28**
- (58) **Field of Classification Search**
CPC E05B 65/0075; F42B 39/00; F42B 39/002;
F42B 39/14; F42B 39/18; F42B 39/24;
F42B 39/22; F42B 39/20; F42B 39/26;
E05G 1/00; E05G 1/005; E05G 1/024; E05G
5/00; E05G 2700/00; E05G 2700/02; E05G
2700/04; E05G 5/02; G07D 11/0006; G07D
11/0009; G07D 9/002; G07D 9/004; G07D
9/008; G07D 11/009; G07F 9/06; G07F
9/003; G07F 17/10; G07F 17/12; F41C 33/00;
F41C 33/06; A47B 81/00; A47B 81/005
USPC D99/28, 34, 35, 36, 43, 99; 109/1 R, 1 V,
109/2, 45; 902/9, 30; 235/100; 206/317,
206/527, 235; 312/400, 409
See application file for complete search history.

6,260,300	B1 *	7/2001	Klebes et al.	42/70.11
6,405,861	B1 *	6/2002	Siler et al.	206/317
6,488,148	B1 *	12/2002	Woodson	206/317
6,601,680	B2 *	8/2003	Japchen	190/120
6,843,081	B1 *	1/2005	Painter	70/63
7,004,365	B2 *	2/2006	Ingram	224/401
7,025,203	B2 *	4/2006	Schonenbach	206/317
7,063,737	B2 *	6/2006	Tilby et al.	206/317
7,116,224	B2 *	10/2006	Mickler	340/568.1
7,159,711	B1 *	1/2007	Gardner	206/317
D541,045	S *	4/2007	Pearl et al.	D3/291
D542,529	S *	5/2007	Pearl et al.	D3/276
D558,977	S *	1/2008	Pearl et al.	D3/294
D561,994	S *	2/2008	Pearl et al.	D3/291
7,325,681	B2 *	2/2008	Schonenbach	206/317
D569,073	S *	5/2008	Osiecki et al.	D99/28
D570,074	S *	5/2008	Osiecki et al.	D99/28
D571,524	S *	6/2008	Kang et al.	D99/28

(Continued)

Primary Examiner — Elizabeth J Oswecki

(57) **CLAIM**

The ornamental design for a device for securing a firearm, as shown and described.

DESCRIPTION

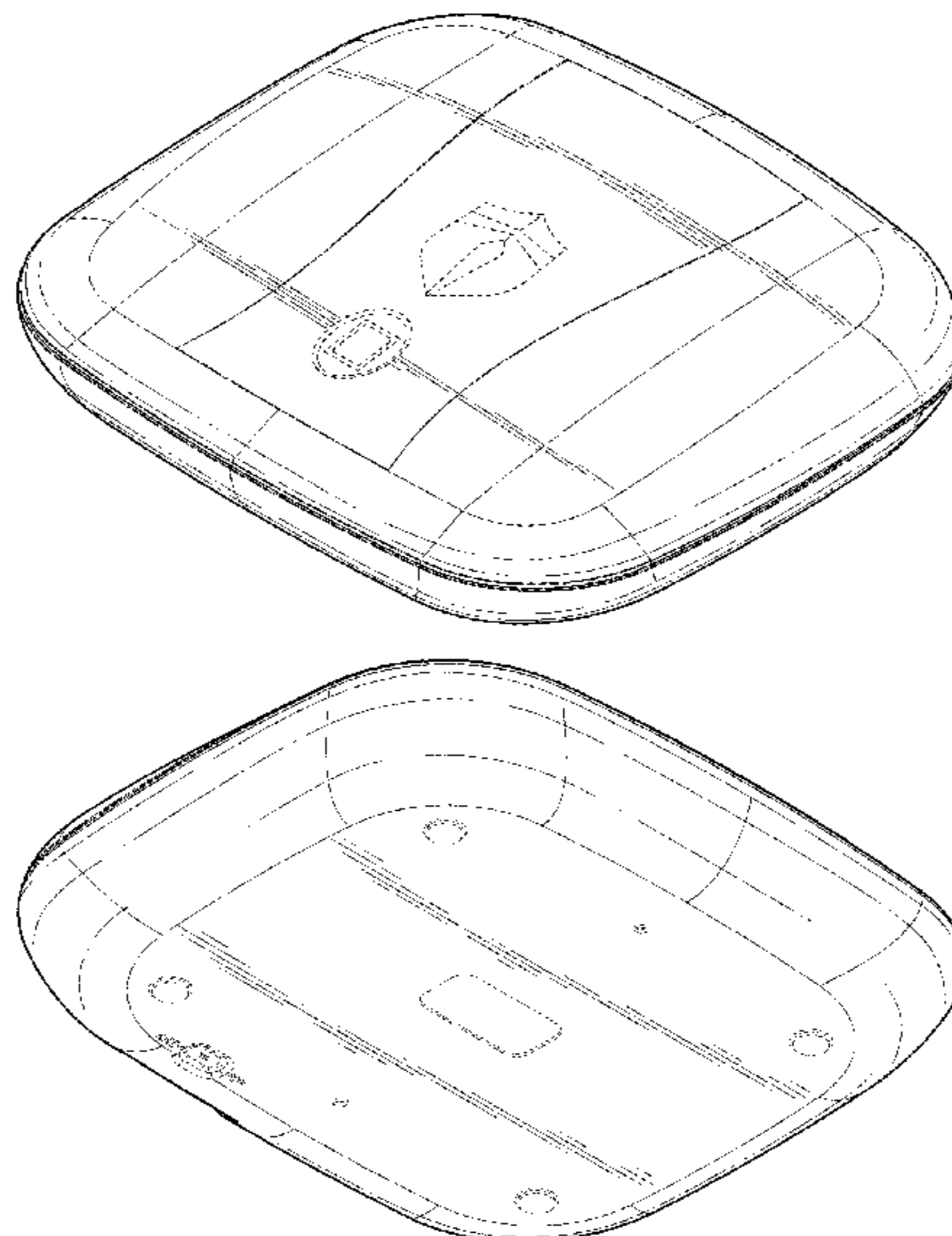
FIG. 1 is a top perspective view of a device for securing a firearm showing my new design;
 FIG. 2 is a bottom perspective view thereof;
 FIG. 3 is a top view thereof;
 FIG. 4 is a front view thereof;
 FIG. 5 is a back view thereof;
 FIG. 6 is a bottom view thereof;
 FIG. 7 is a side view thereof;
 FIG. 8 is another side view thereof;
 FIG. 9 is a top perspective view thereof, with the lid shown in an open position; and,
 FIG. 10 is a bottom perspective view thereof, with the lid shown in an open position.

1 Claim, 6 Drawing Sheets

(56) **References Cited**

U.S. PATENT DOCUMENTS

2,781,897	A *	2/1957	Dale	206/317
3,138,306	A *	6/1964	Bare	206/317
4,788,838	A *	12/1988	Cislo	70/63
4,890,466	A *	1/1990	Cislo	70/63
5,009,088	A *	4/1991	Cislo	70/63
5,377,514	A *	1/1995	Robbins et al.	70/452



(56)

References Cited

U.S. PATENT DOCUMENTS

D572,425 S * 7/2008 Themistos D99/28
7,451,872 B1 * 11/2008 Allen 206/315.11
7,546,920 B1 * 6/2009 Horn et al. 206/317
D624,275 S * 9/2010 Min D99/28

D631,225 S * 1/2011 Plato D99/28
D635,324 S * 3/2011 Plato D99/28
8,074,477 B1 * 12/2011 Weiche 70/14
D651,785 S * 1/2012 Martin et al. D99/28
D667,195 S * 9/2012 Guo D99/28

* cited by examiner

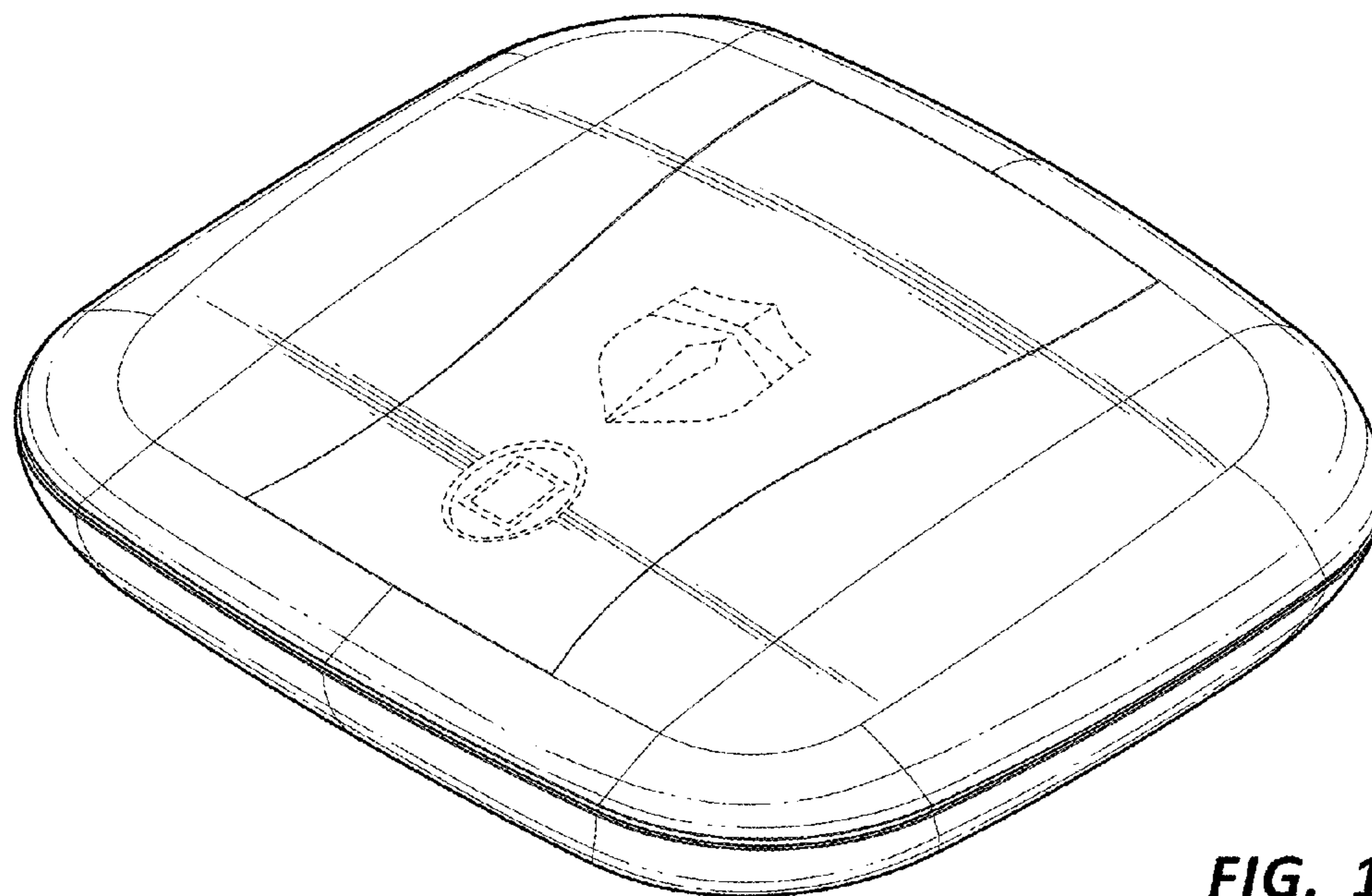


FIG. 1

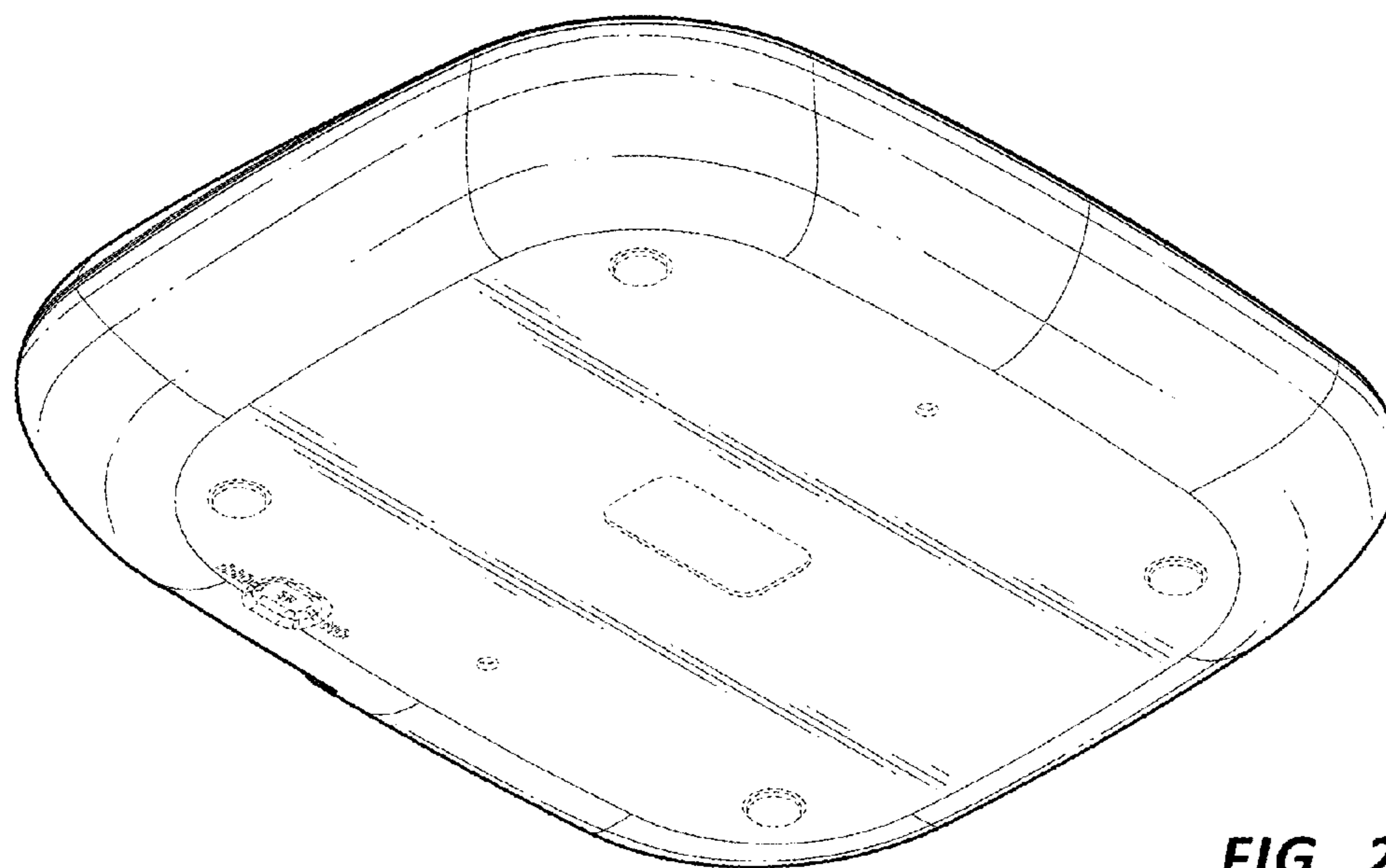


FIG. 2

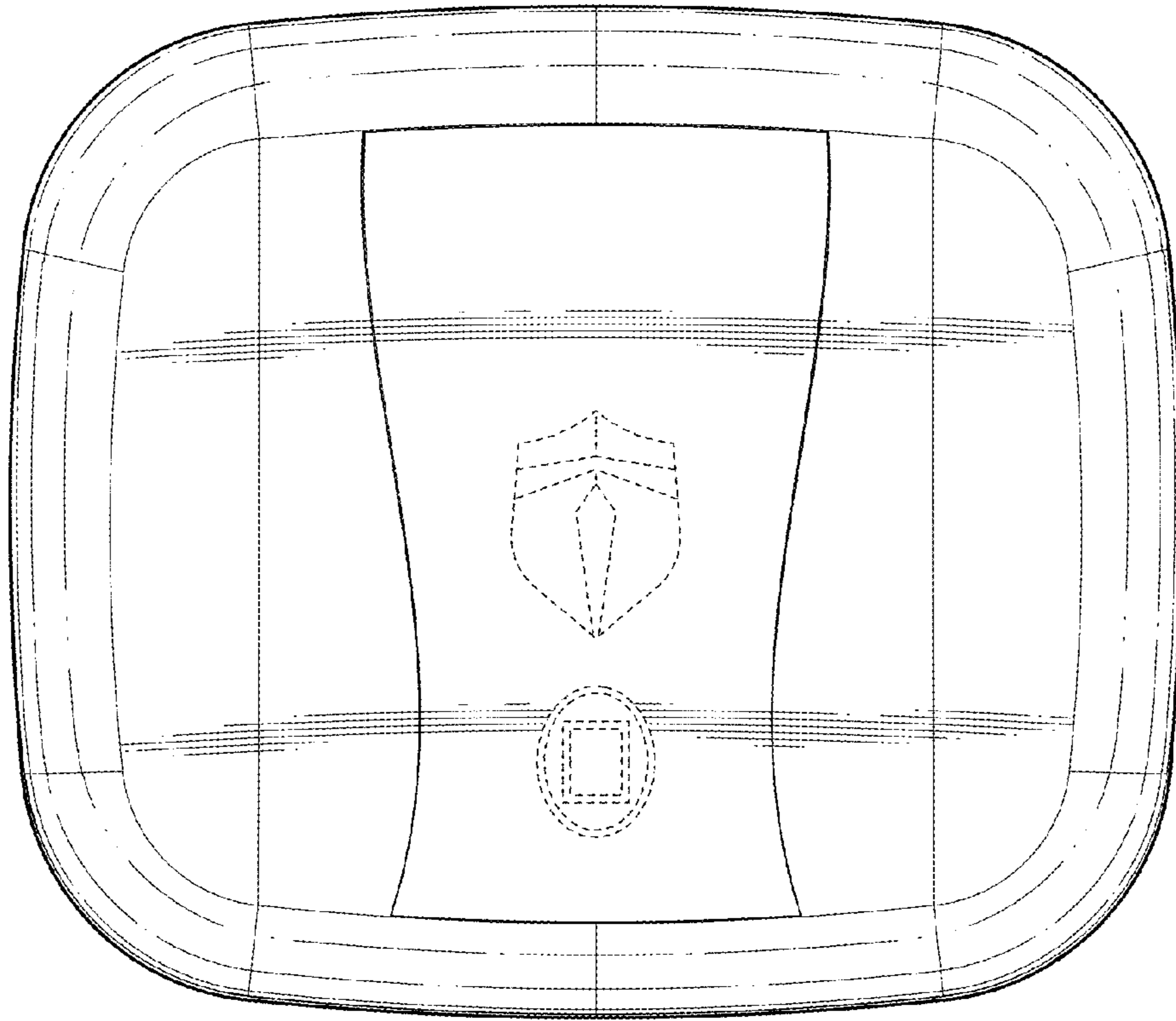


FIG. 3

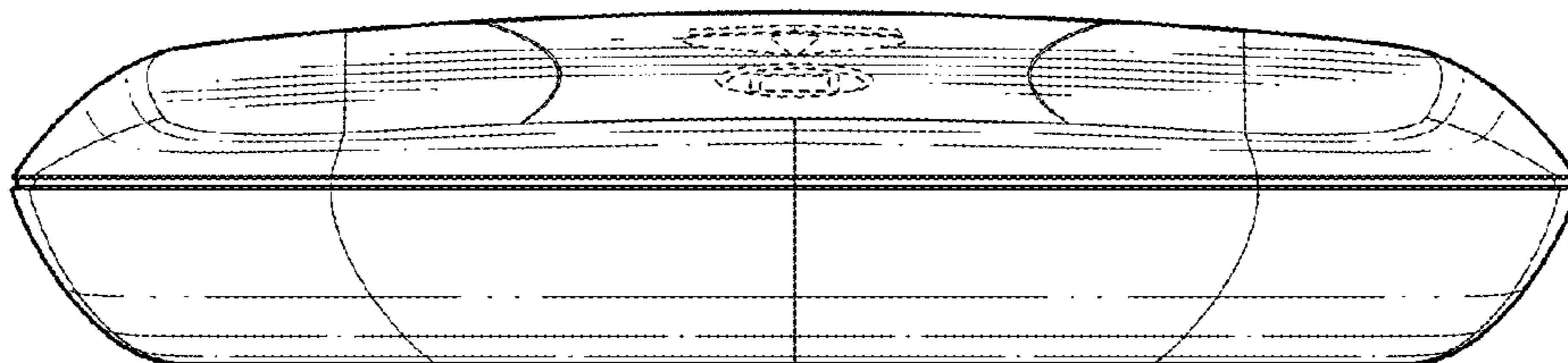


FIG. 4

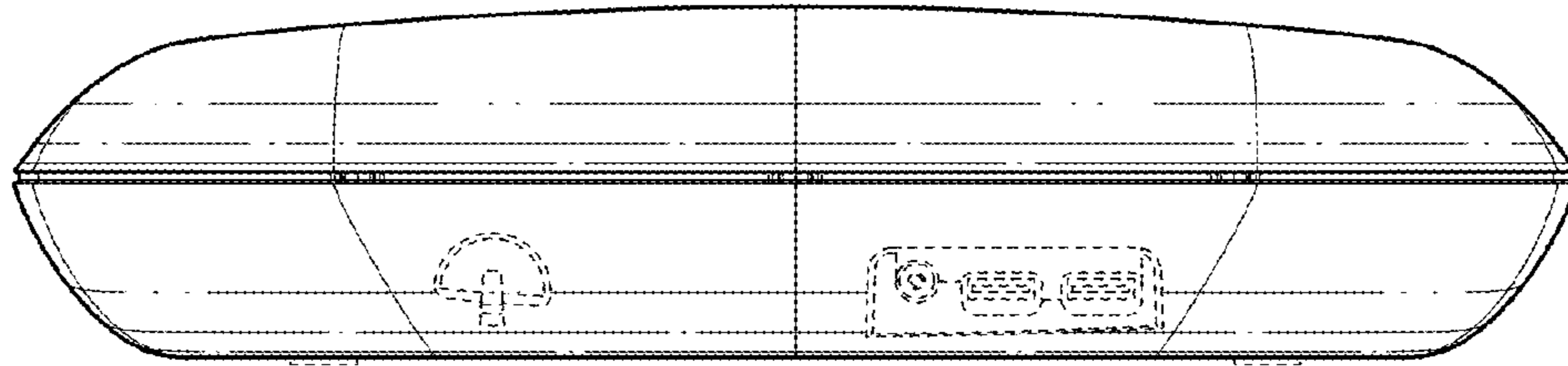


FIG. 5

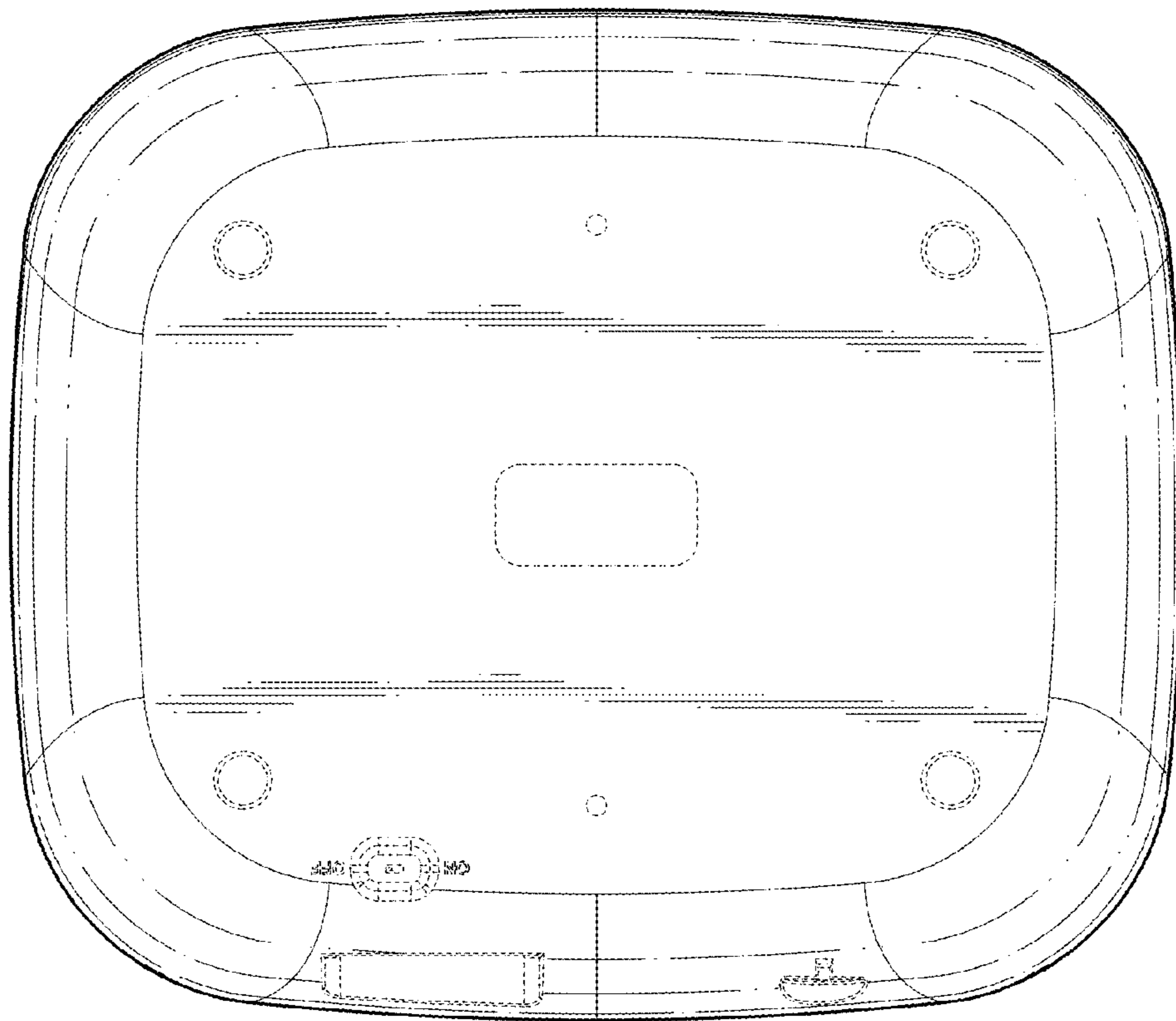


FIG. 6

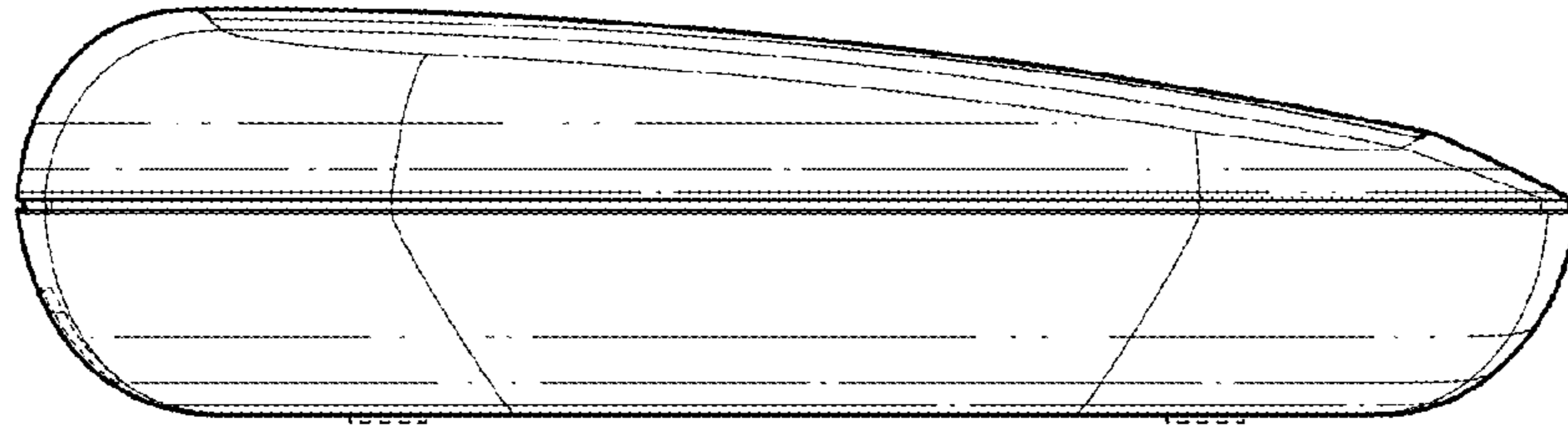


FIG. 7



FIG. 8

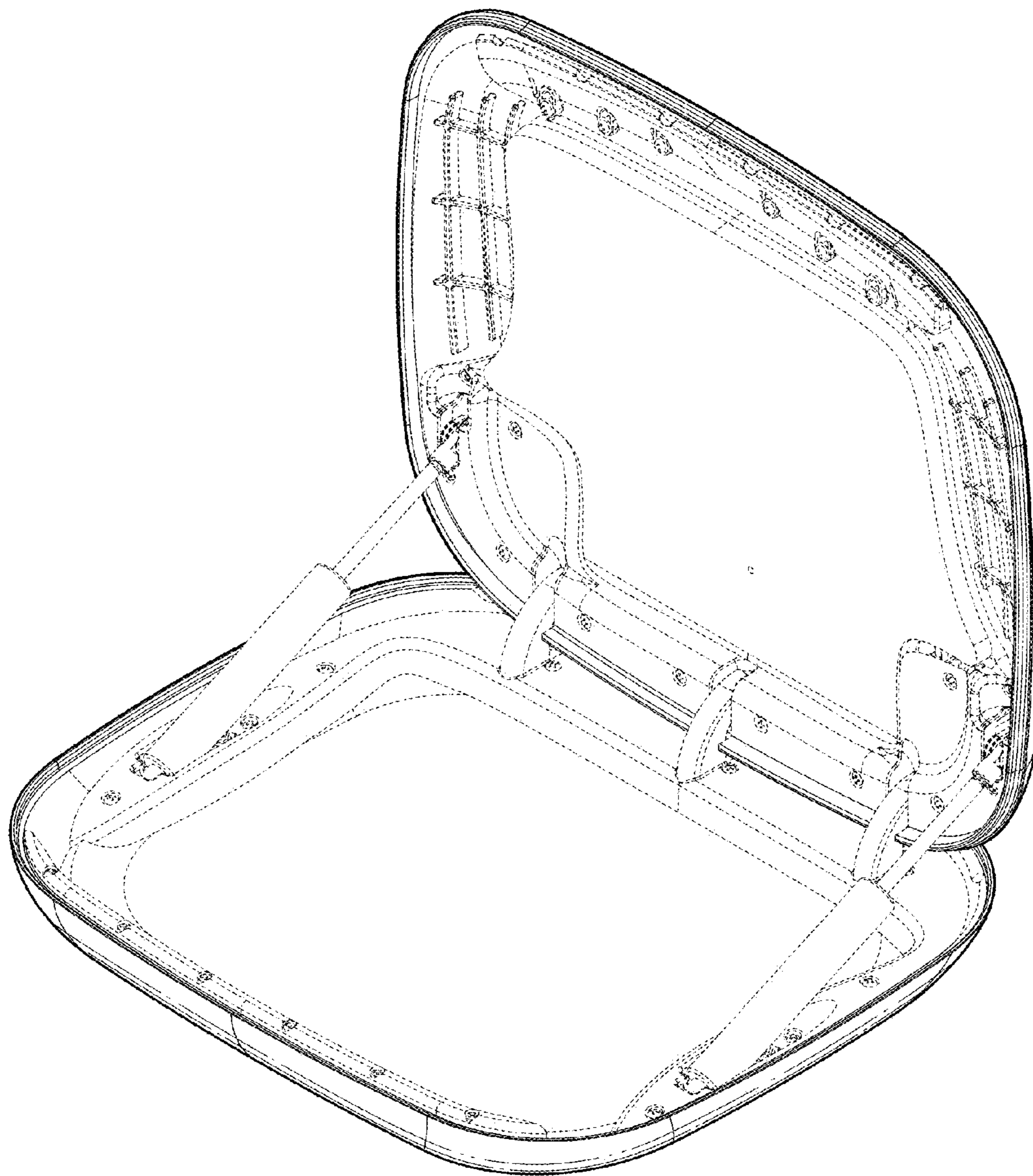


FIG. 9

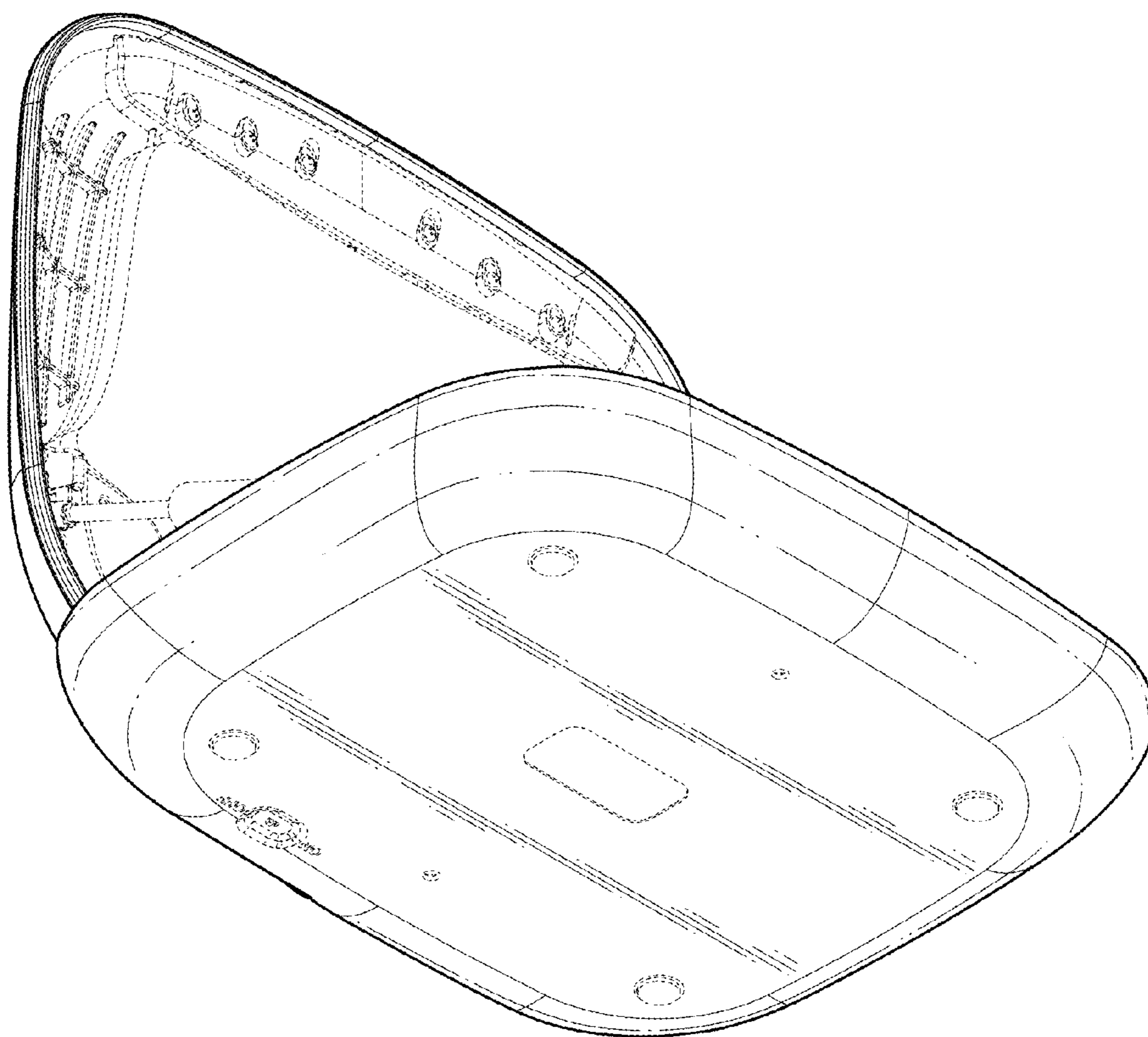


FIG. 10