



US00D714014S

(12) **United States Design Patent**
Miles, Sr.

(10) **Patent No.:** **US D714,014 S**
(45) **Date of Patent:** **** *Sep. 23, 2014**

(54) **CREMATION URN**

(76) **Inventor:** **Hal Vester Miles, Sr.,** Mebane, NC (US)

(*) **Notice:** This patent is subject to a terminal disclaimer.

(**) **Term:** **14 Years**

(21) **Appl. No.:** **29/420,788**

(22) **Filed:** **May 13, 2012**

(51) **LOC (10) Cl.** **99-00**

(52) **U.S. Cl.**
USPC **D99/5**

(58) **Field of Classification Search**
USPC D99/3, 5, 17, 25, 27, 29, 37, 39;
D11/121, 128, 129, 124, 101, 136, 131,
D11/150, 160, 175, 122; D19/34.5;
446/297; 362/566, 23.19, 23.2; 428/3;
D21/639; 27/1

See application file for complete search history.

(56) **References Cited**

U.S. PATENT DOCUMENTS

D41,566 S *	7/1911	Hanold	D99/19
D122,501 S *	9/1940	Sargent	D11/136
D173,680 S *	12/1954	Sava	D99/27
D184,454 S *	2/1959	Oppido	D11/160
4,525,821 A *	6/1985	Garcia	369/30.02
4,648,162 A	3/1987	Daino		

5,230,127 A	7/1993	Zukowski et al.	
D344,391 S *	2/1994	May et al. D99/5
D345,849 S *	4/1994	Parker D99/5
D367,147 S *	2/1996	Broussard D99/27
D405,131 S *	2/1999	Nelson D21/639
5,875,528 A	3/1999	Parker	
D412,951 S *	8/1999	Causey D21/631
D450,789 S *	11/2001	Gordon D21/634
D462,292 S *	9/2002	Hanlon et al. D11/124
D476,790 S *	7/2003	Ruiz, Jr. D99/25
D492,615 S *	7/2004	Sonntag D11/124
D611,221 S *	3/2010	Parks D99/5
D636,145 S *	4/2011	Hadi D99/21
D638,195 S	5/2011	Goldstein	

* cited by examiner

Primary Examiner — Paula Greene

(74) *Attorney, Agent, or Firm* — RG Patent Consulting, LLC; Rachel Gilboy

(57) **CLAIM**

I claim the ornamental design for a cremation urn, as shown and described.

DESCRIPTION

FIG. 1 is a front elevational view of the cremation urn embodying the design of the present invention.

FIG. 2 is a side elevational view thereof.

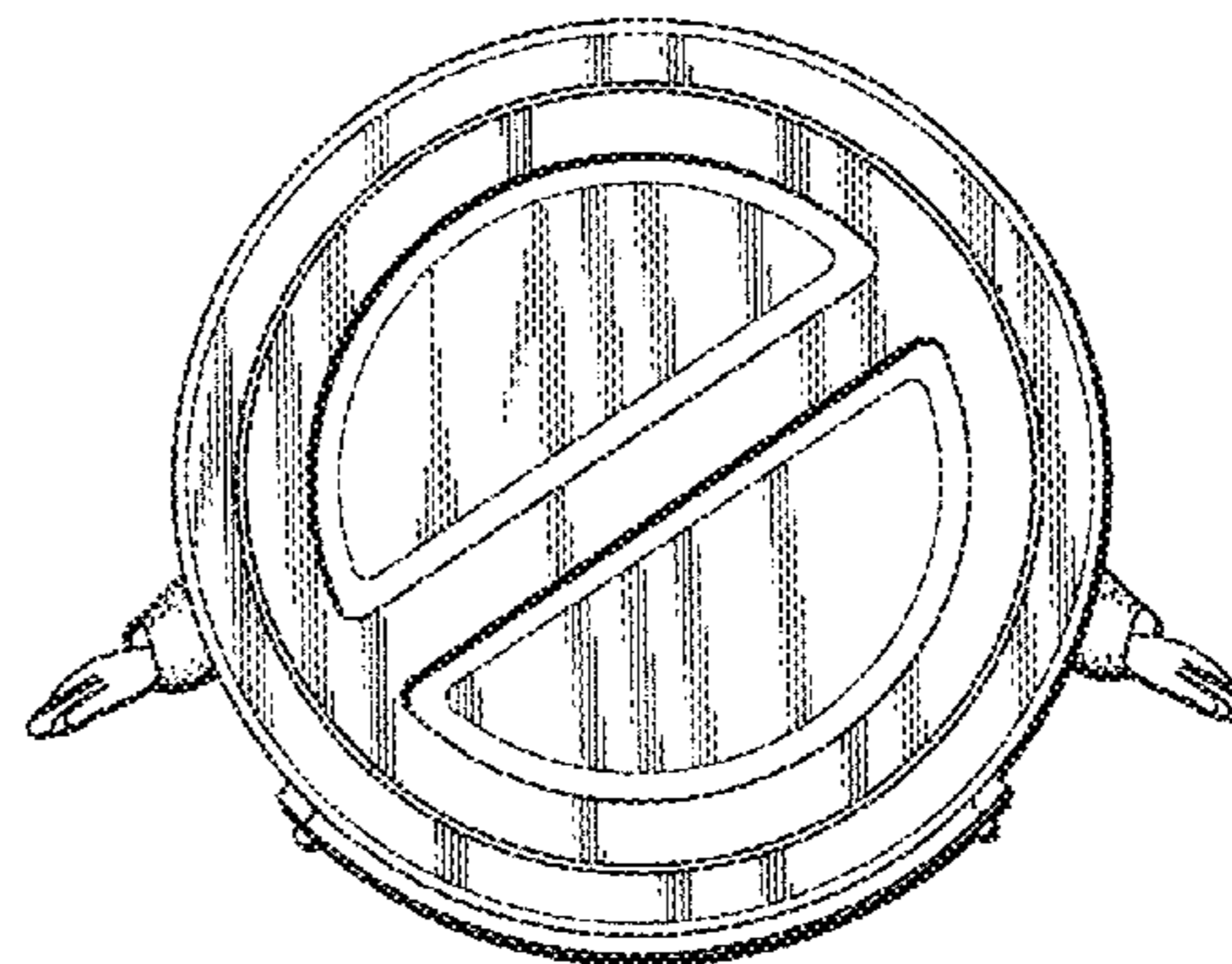
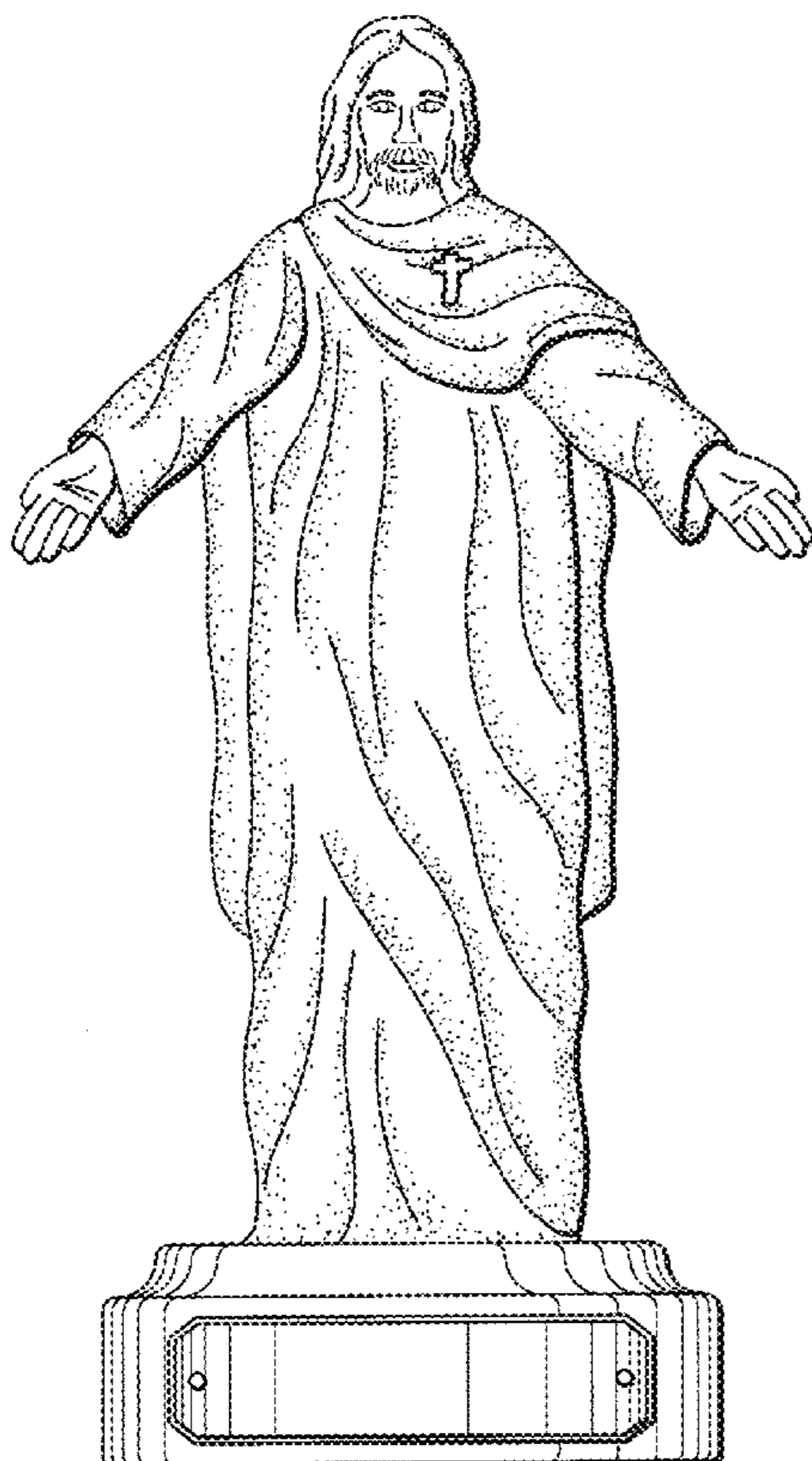
FIG. 3 is a side elevational view thereof.

FIG. 4 is a rear elevational view thereof.

FIG. 5 is a top plan view thereof; and,

FIG. 6 is a bottom plan view thereof.

1 Claim, 3 Drawing Sheets



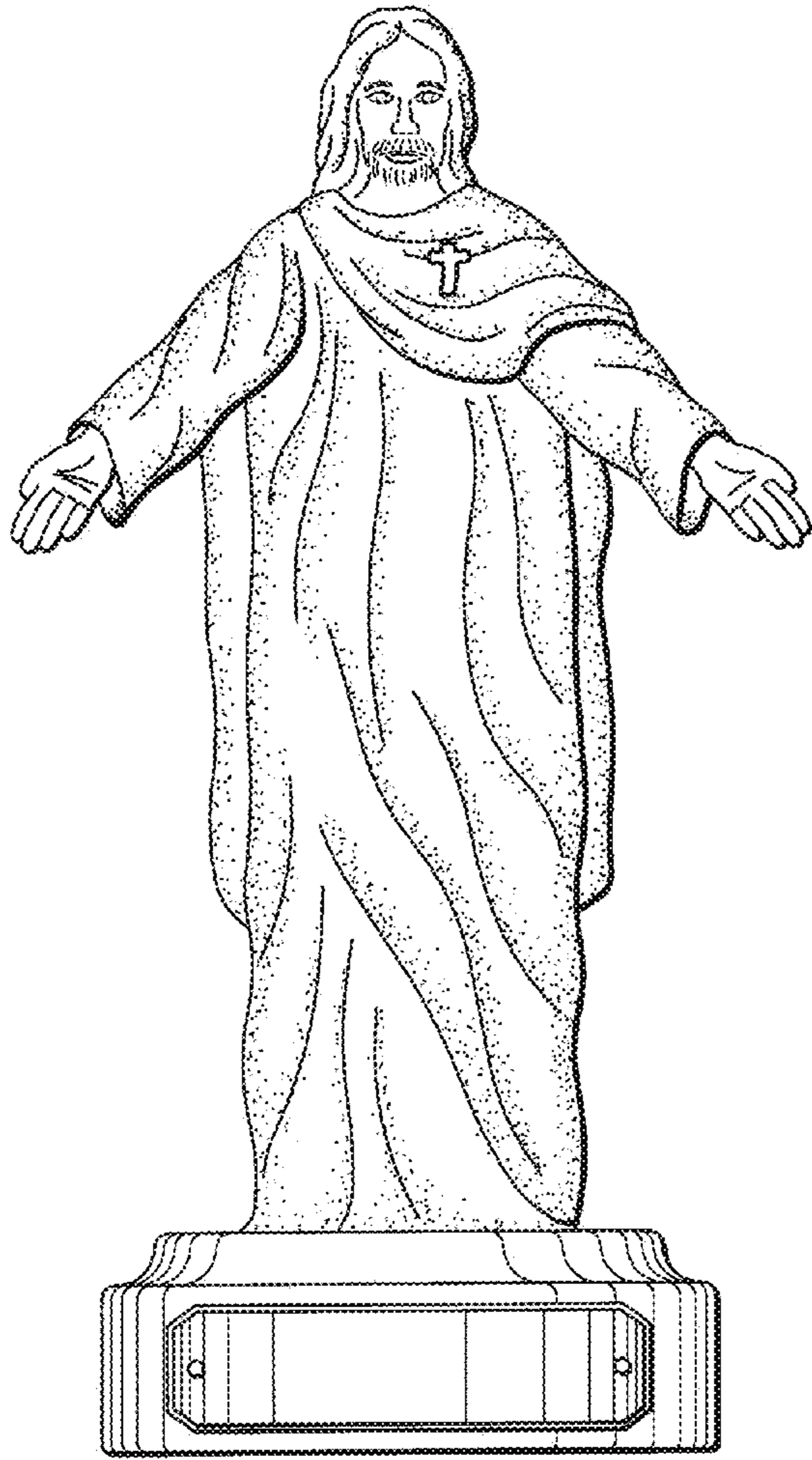


Fig. 1



Fig. 2

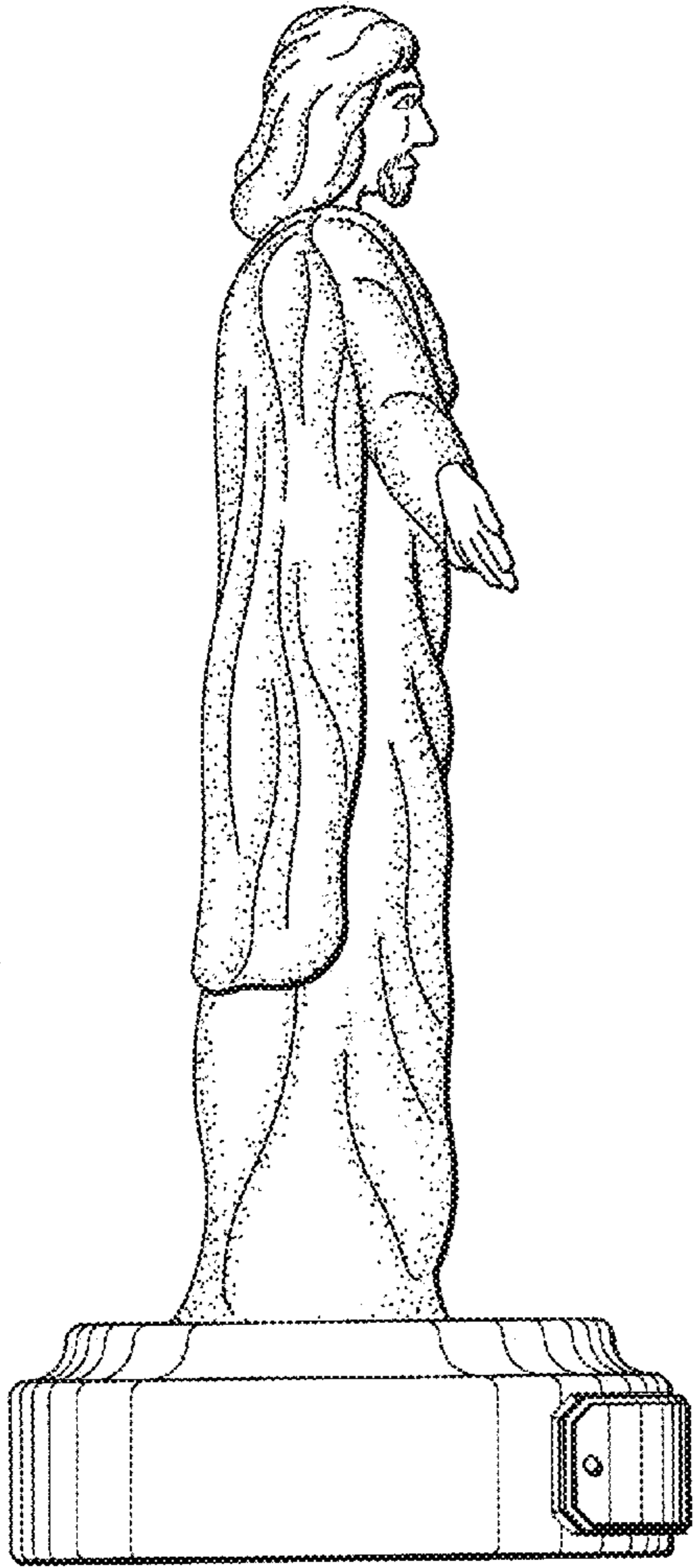


Fig. 3

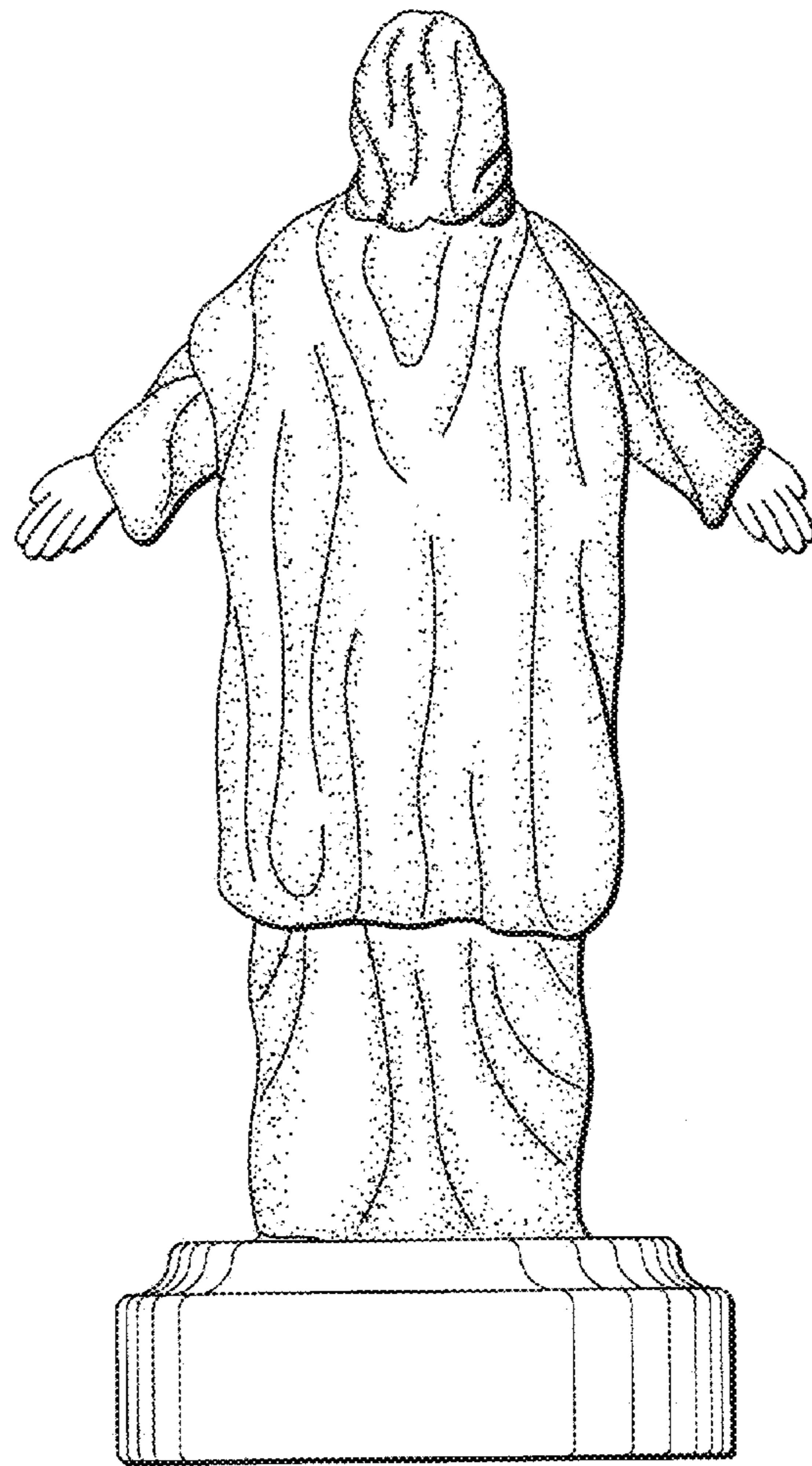


Fig. 4

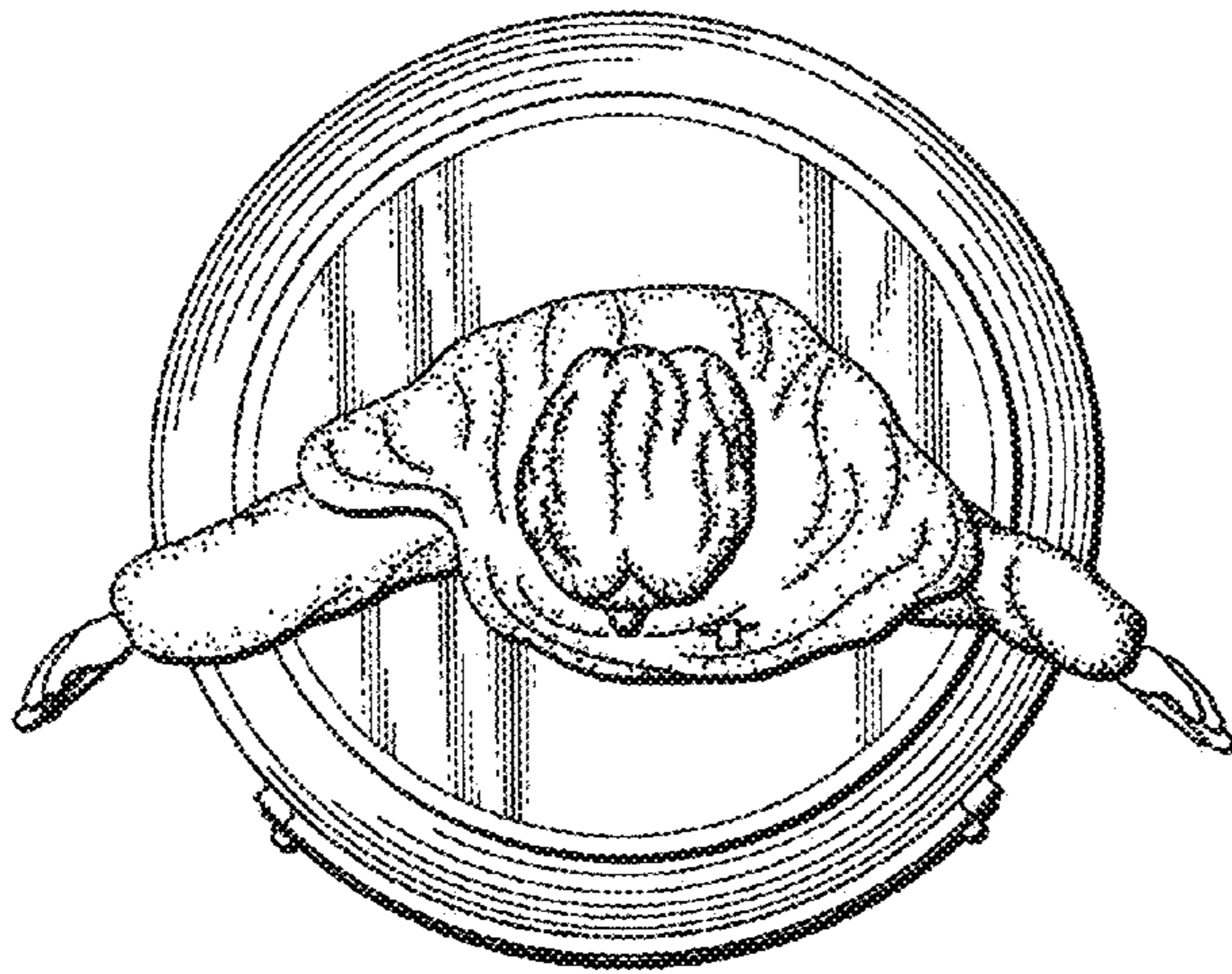


Fig. 5

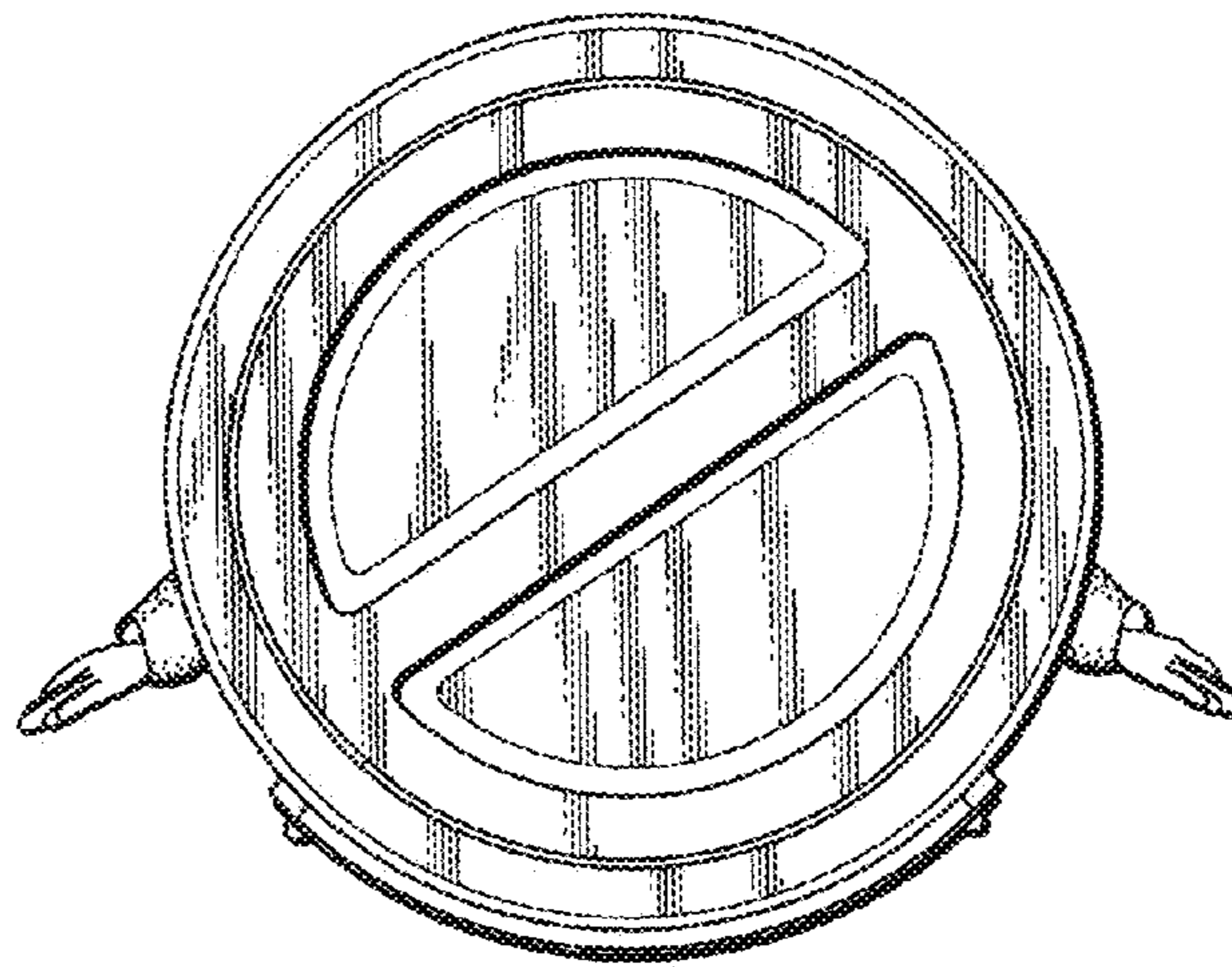


Fig. 6