



US00D714011S

(12) **United States Design Patent**
Fredendall et al.

(10) **Patent No.:** **US D714,011 S**
(45) **Date of Patent:** **** Sep. 23, 2014**

- (54) **SHOPPING CART COMPONENT**
- (71) Applicant: **Retail Design Services, LLC**,
Northfield, MN (US)
- (72) Inventors: **Jonathon A. Fredendall**, Buffalo, MN
(US); **John Robert Ebling**, Northfield,
MN (US); **Jay Robert Stemler**, Elk
River, MN (US); **Gary Robert Ebling**,
Northfield, MN (US)
- (73) Assignee: **Retail Design Services, LLC**,
Northfield, MN (US)

4,487,134	A *	12/1984	Foote	280/33.992
4,496,058	A *	1/1985	Harris et al.	40/308
4,643,280	A *	2/1987	Hensley	190/11
4,679,818	A *	7/1987	Kakavas	280/33.992
4,765,644	A	8/1988	Bell		
D316,238	S *	4/1991	Giambrone	D12/133
D319,906	S	9/1991	Takahashi		
D329,835	S *	9/1992	Scheinrock	D12/133
D357,440	S *	4/1995	Pietra	D12/133
5,649,718	A	7/1997	Groglio		
D417,763	S *	12/1999	Monem	D34/27
6,098,998	A	8/2000	Ondrasik		
D444,281	S	6/2001	Gaze et al.		

(Continued)

- (**) Term: **14 Years**
- (21) Appl. No.: **29/451,076**
- (22) Filed: **Mar. 27, 2013**

Related U.S. Application Data

- (62) Division of application No. 29/436,561, filed on Nov. 7, 2012, now Pat. No. Des. 681,901, which is a division of application No. 29/406,240, filed on Nov. 10, 2011, now Pat. No. Des. 672,932.
- (51) **LOC (10) Cl.** **12-02**
- (52) **U.S. Cl.**
USPC **D34/27**
- (58) **Field of Classification Search**
USPC D34/12-27; 280/33.994, 33.992;
296/100.16; D12/133
See application file for complete search history.

References Cited

U.S. PATENT DOCUMENTS

D175,004	S *	6/1955	Alley	D7/552.1
3,019,953	A	2/1962	Umanoff		
3,309,100	A	3/1967	Barbuti		
4,034,539	A *	7/1977	Economy	40/308
D263,456	S	3/1982	Muellner		

OTHER PUBLICATIONS

Michael Daehn, "The Importance of Shopping Carts," obtained from <http://marketingingenious.terapad.com>, published Dec. 10, 2008, printed Jul. 1, 2011, 7 pages.

(Continued)

Primary Examiner — Cynthia Ramirez

(74) *Attorney, Agent, or Firm* — James L. Young; Westman, Champlin & Koehler, P.A.

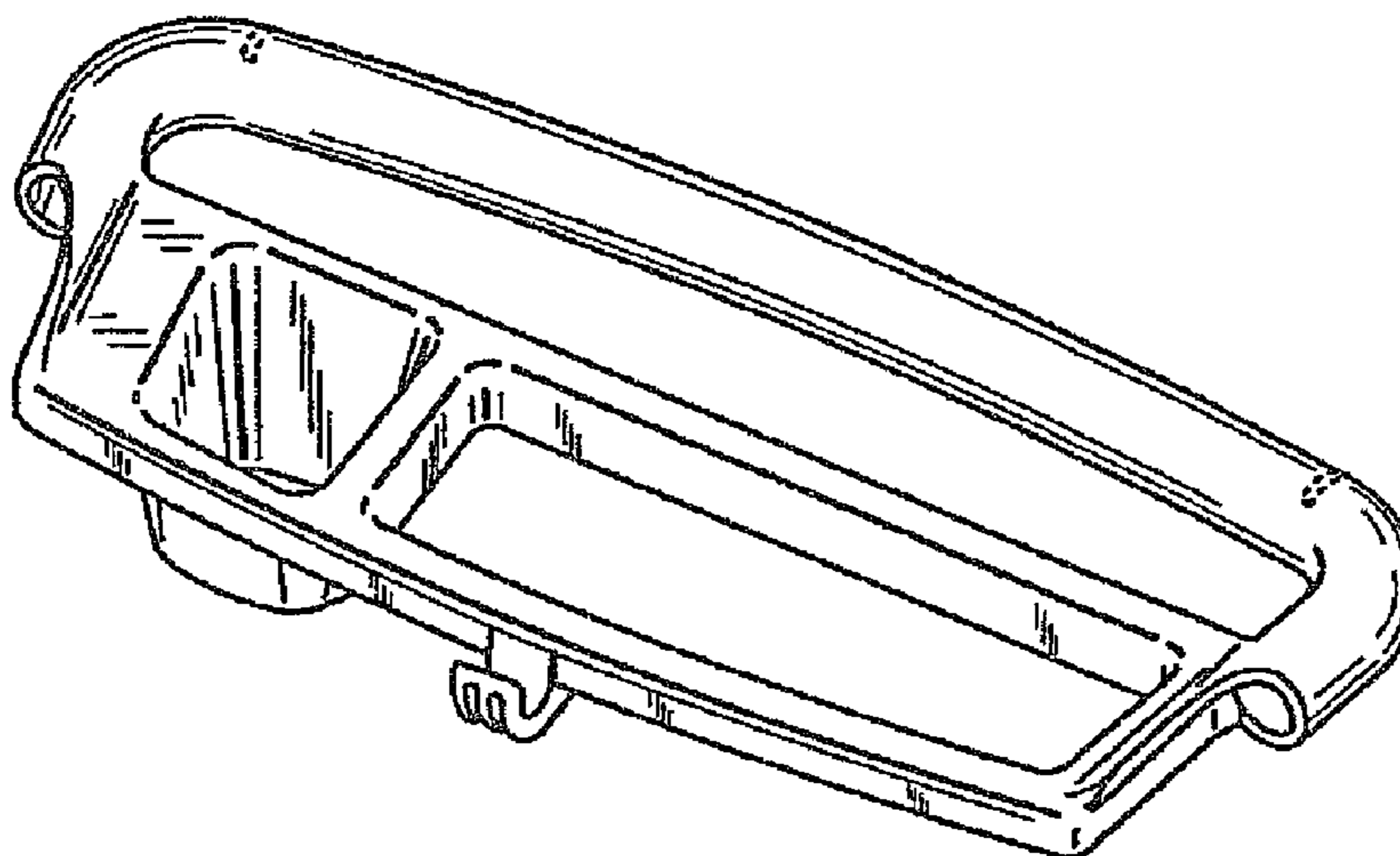
(57) **CLAIM**

The ornamental design for a shopping cart component, as shown and described.

DESCRIPTION

FIG. 1 is an isometric view of a shopping cart component; FIG. 2 is a top view thereof; FIG. 3 is a bottom view thereof; FIG. 4 is a side view thereof, as taken from the left side of FIG. 2; FIG. 5 is a side view thereof, as taken from the right side of FIG. 2; FIG. 6 is a rear view thereof; and, FIG. 7 is a front view thereof.

1 Claim, 2 Drawing Sheets



(56)

References Cited

U.S. PATENT DOCUMENTS

D444,927	S	7/2001	Lin	
6,406,041	B1	6/2002	Rea	
6,932,363	B2	8/2005	D'Angelo	
D525,758	S	7/2006	Lynch	
D536,502	S *	2/2007	Weigand et al.	D34/27
D540,998	S	4/2007	Splain et al.	
D550,423	S	9/2007	Splain et al.	
7,407,169	B2	8/2008	Splain	
D583,123	S *	12/2008	Cassin, III	D34/27
D649,732	S	11/2011	Muscara	
8,313,114	B1 *	11/2012	Aron	280/33.992
2001/0035618	A1	11/2001	DeCost	
2002/0074753	A1	6/2002	Thalhofer et al.	
2005/0067801	A1	3/2005	Copland	
2007/0210541	A1	9/2007	Johnson	
2008/0211200	A1	9/2008	Eberlein	
2009/0315300	A1	12/2009	Stiba	

OTHER PUBLICATIONS

Sears shopping cart, obtained from www.prioritydesigns.com, copyright 2007-2011, printed Oct. 13, 2011, 7 pages.

EXpress6000—Retail Metal Shopping Cart, obtained from www.versacart.com/express6000.php, copyright 2008, printed Nov. 8, 2011, 1 page.

Claire Erickson, "My Latest Project," published at www.ericksoncl.wordpress.com/2010/05/14/my-latest-project/, posted May 14, 2010, printed Nov. 8, 2011, 1 page.

Sunrise Trolley Manufacturers, Products, obtained from www.indiamart.com/sunrise-trolley-mfg/products.html, printed Nov. 10, 2011, 9 pages.

Paul Rako, "Build a goofy shopping cart, and the media will beat a path to your door," published at www.rako.com/Diamond/28.html, dated May 21, 2011, printed Nov. 10, 2011, 4 pages.

"IDEO Shopping Trolley," The Retail Experience Project, published at <http://retailsingapore.wordpress.com/2011/10/16/ideo-shopping-trolley/>, post Oct. 16, 2011, print May 25, 2012, 2 pages.

"IDEO Shopping Trolley," Design Against Crime, pp. 24-28 and 1 photo page, published at <http://extra.shu.ac.uk/dac/ideo.pdf>, obtained Nov. 2011.

"Standard Consumer Safety Performance Specification for Shopping Carts," ASTM International, W. Conshohocken, PA, US; Designation: F 2372-04, Jul. 2004, 13 pages.

Proprietary: "Kohl's Shopping Cart component Part Information," Nov. 8, 2010, 16 pages.

Proprietary: "Kohl's Stroller/Cart Manual," Feb. 13, 2006, 11 pages.

Proprietary: Leggett & Platt Store Fixtures Group, Drawings of cart and components, 5 sheets, dated Oct. 19, 2010.

Proprietary: Leggett & Platt Store Fixtures Group, Drawings of cart and components, 5 sheets dated Nov. 11, 2010.

Proprietary: Leggett & Platt Store Fixtures Group, Drawings of cart and components, 5 sheets, dated Nov. 12, 2010.

* cited by examiner

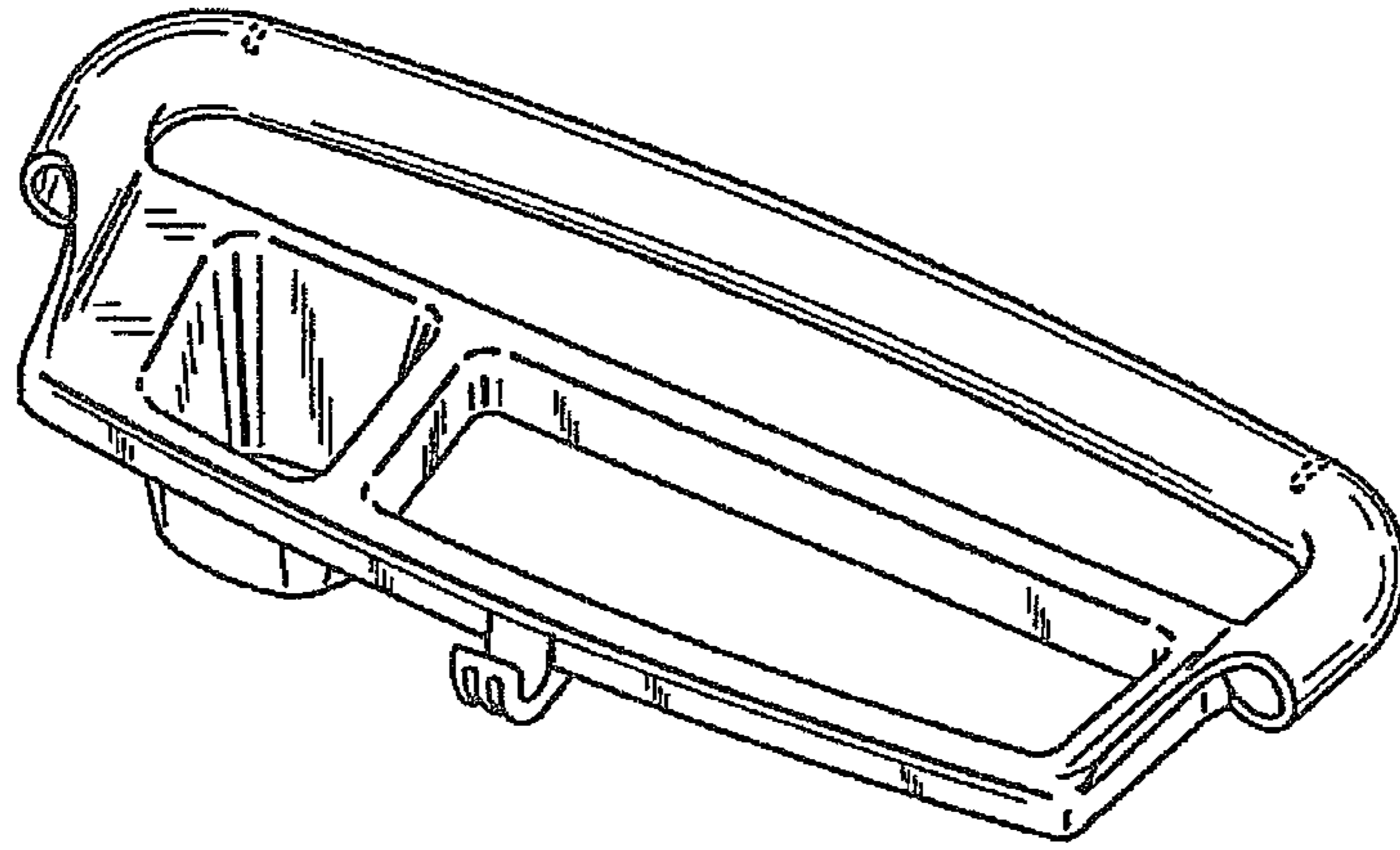


FIG. 1

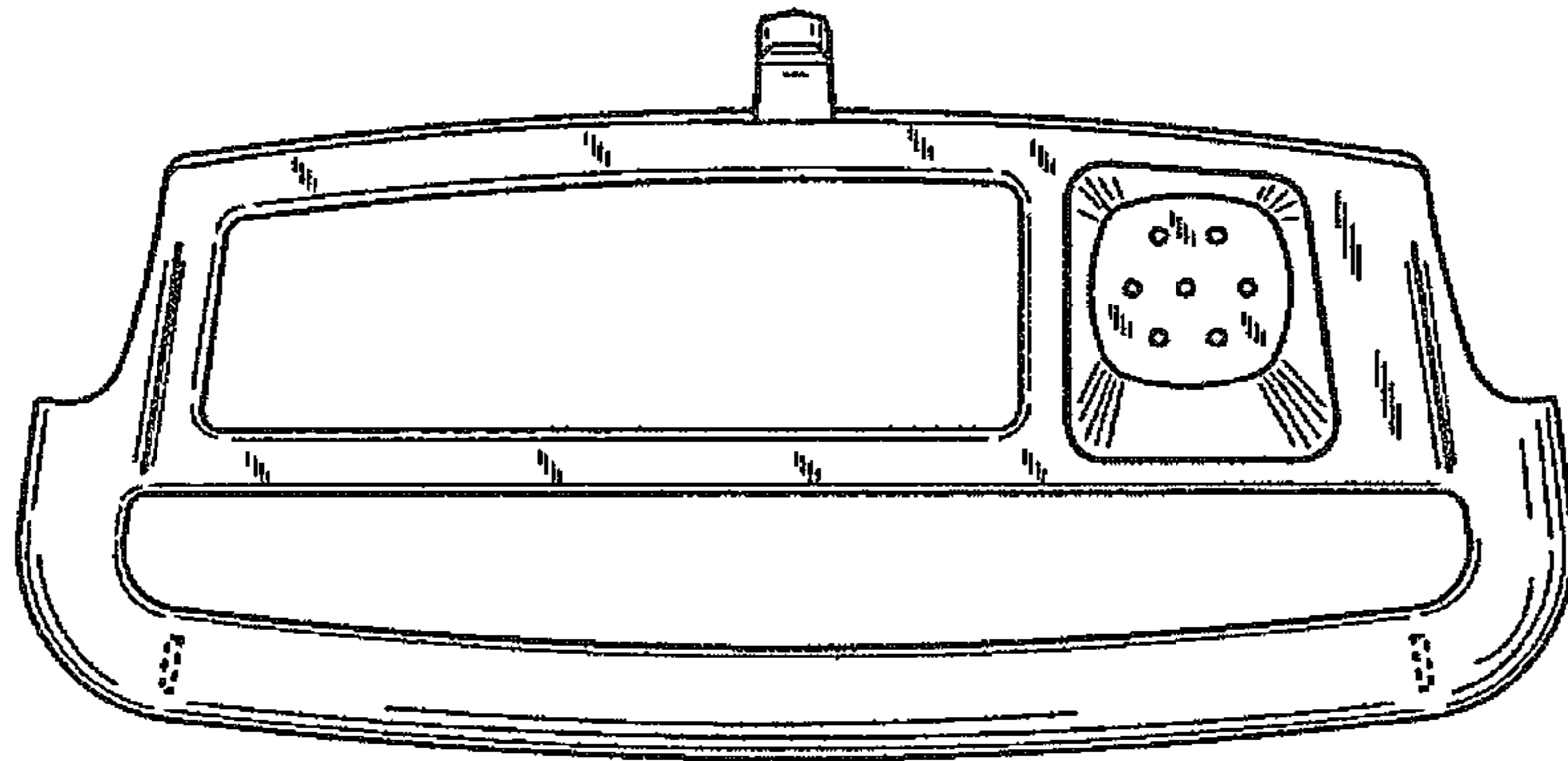


FIG. 2

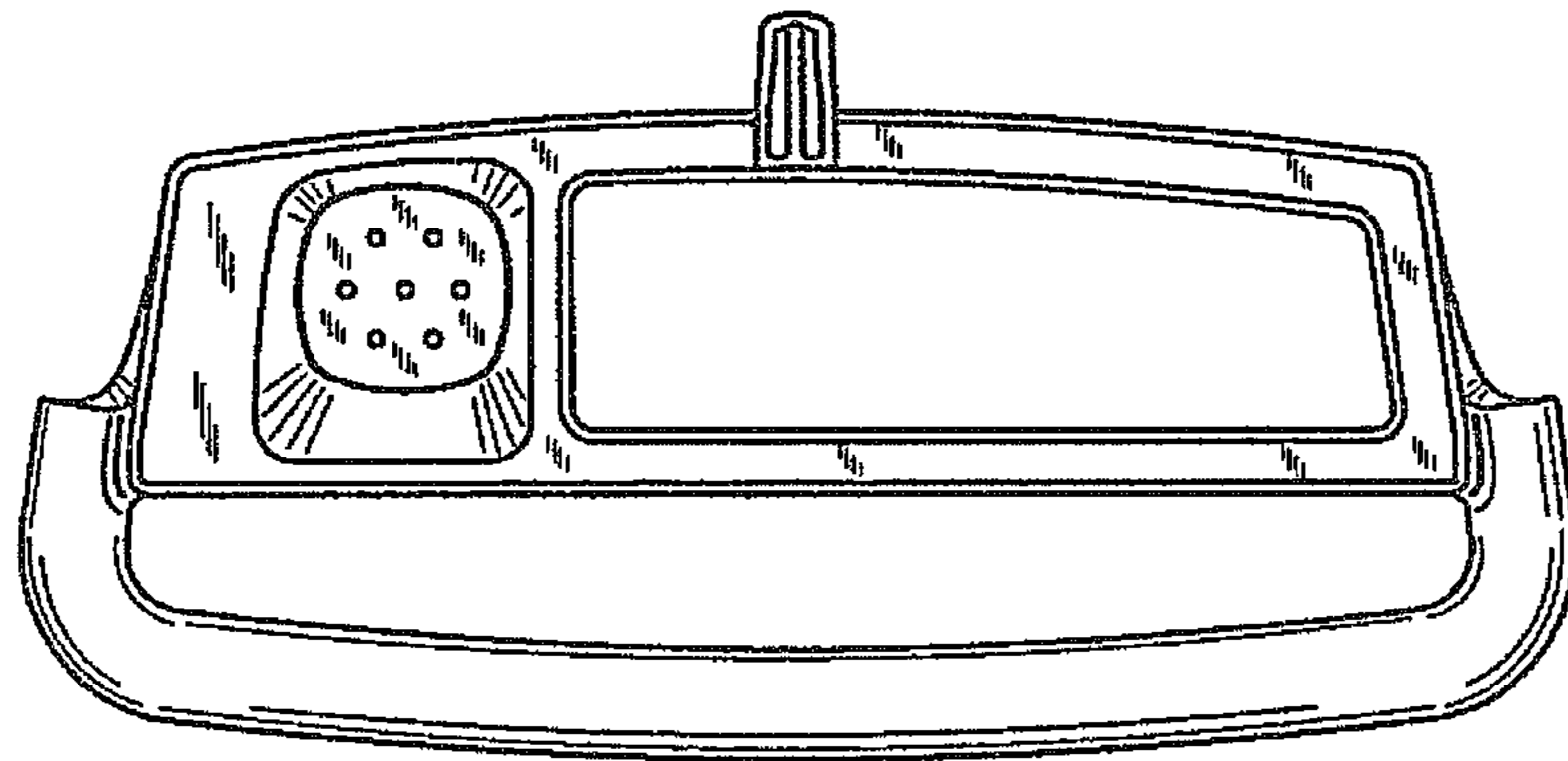


FIG. 3

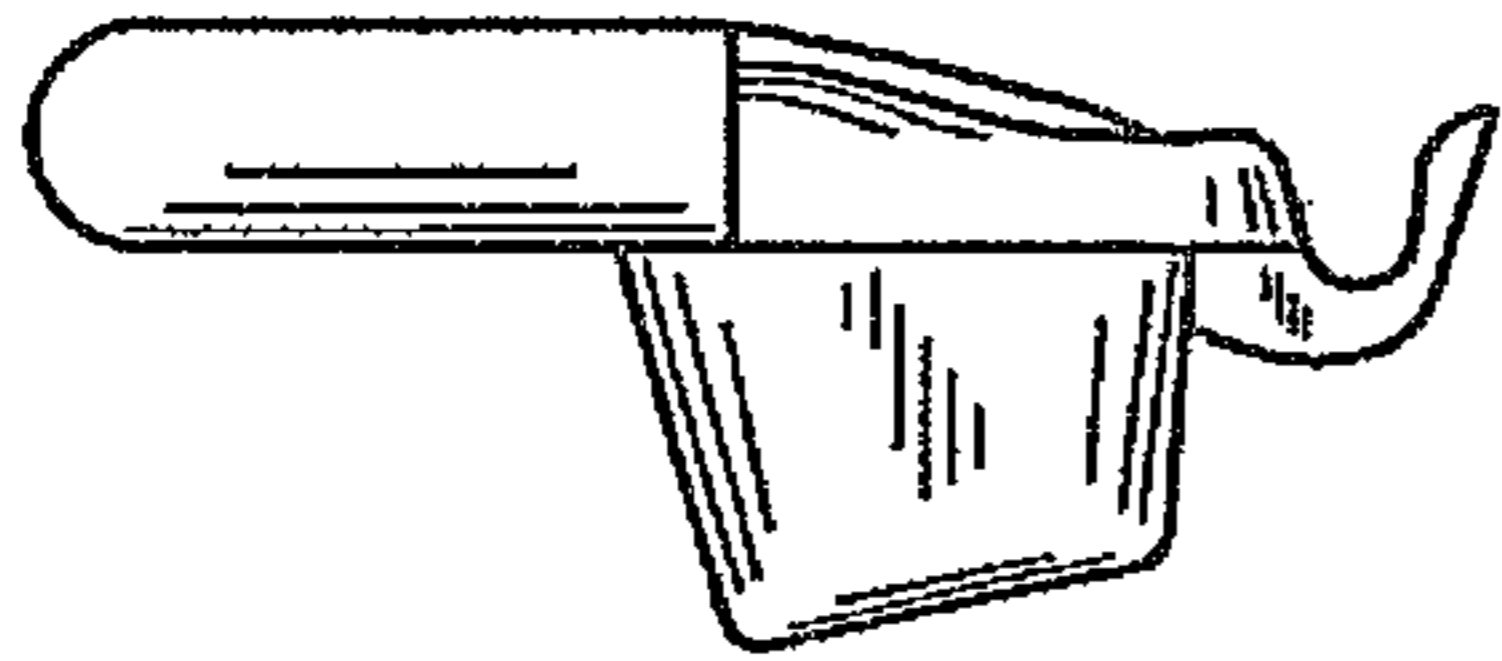


FIG. 4

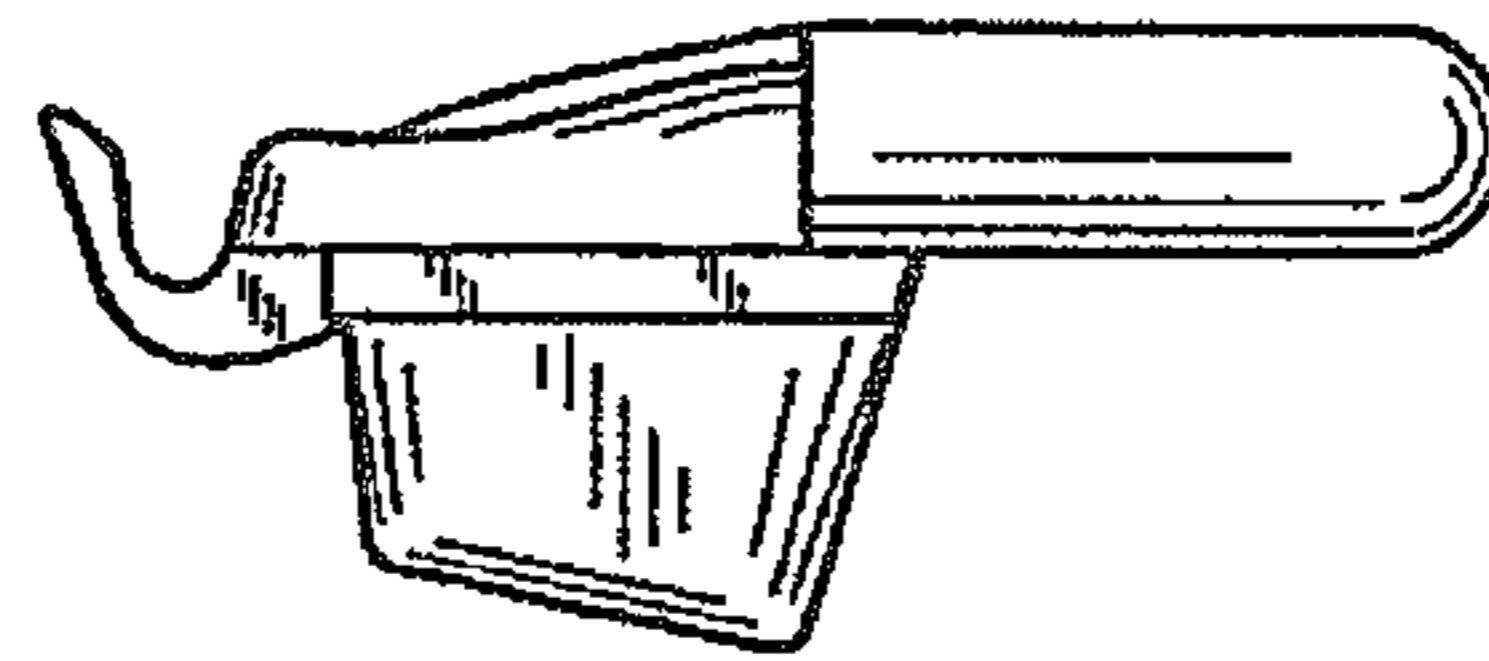


FIG. 5

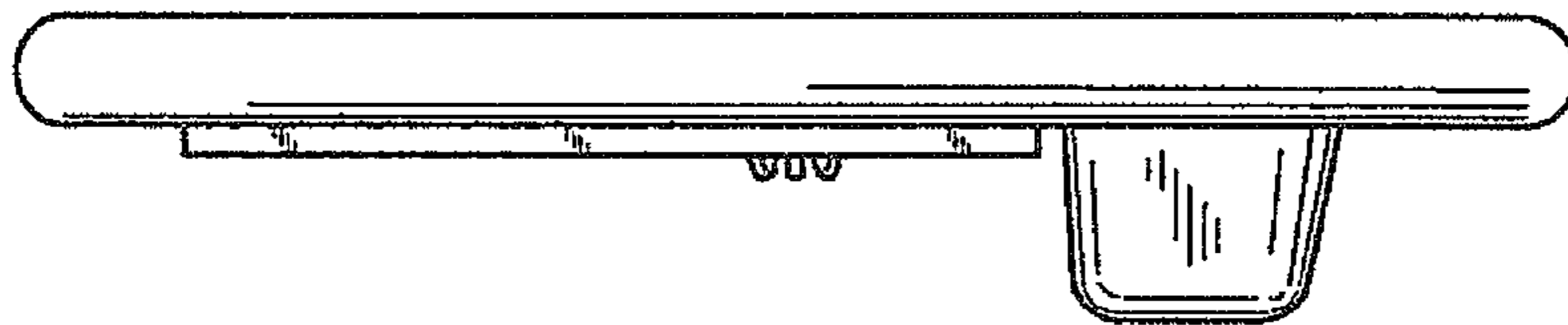


FIG. 6

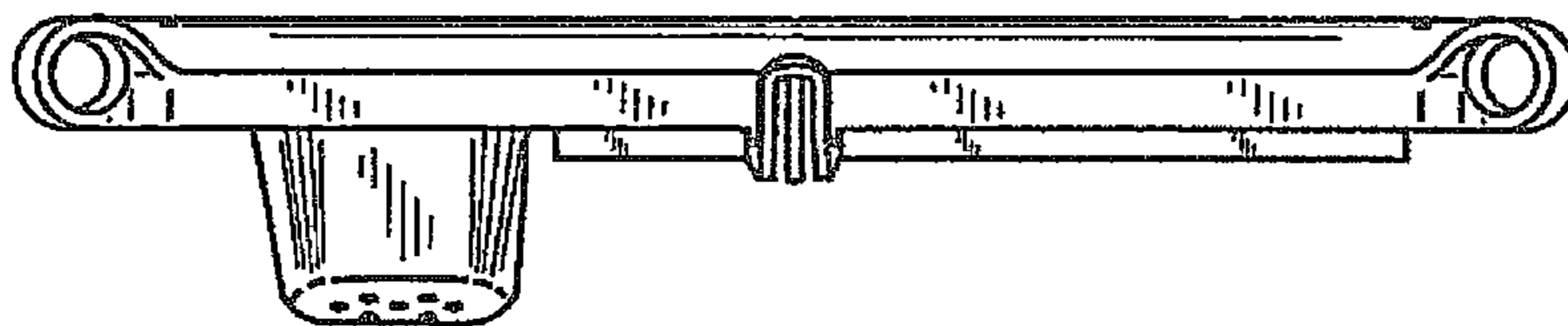


FIG. 7